



US00D666566S

(12) **United States Design Patent**  
**Sugita**

(10) **Patent No.:** **US D666,566 S**

(45) **Date of Patent:** **\*\* Sep. 4, 2012**

(54) **DISPLAY UNIT**

(75) Inventor: **Muneki Sugita**, Tokyo (JP)

(73) Assignee: **Clarion Co., Ltd.**, Saitama-Shi (JP)

(\*\*) Term: **14 Years**

(21) Appl. No.: **29/414,863**

(22) Filed: **Mar. 5, 2012**

(30) **Foreign Application Priority Data**

Nov. 30, 2011 (JP) ..... 2011-027757

(51) **LOC (9) Cl.** ..... **14-03**

(52) **U.S. Cl.** ..... **D14/126**

(58) **Field of Classification Search** ..... D14/125-134,  
D14/239, 371, 136, 374-377, 440, 450, 448,  
D14/336, 342; 312/7.2; 348/836, 838, 180,  
348/184, 325, 739; 341/12; 248/917-924,  
248/465; 345/104, 133, 156, 168, 87, 173;  
720/605, 669, 600, 655; 369/99, 197; 455/344,  
455/347; D21/329, 515, 577, 622, 333, 433,  
D21/448, 452, 450, 331; D6/477, 479, 300;  
273/148 B; 446/484, 175, 356; D10/15,  
D10/26

See application file for complete search history.

(56) **References Cited**

**U.S. PATENT DOCUMENTS**

7,019,794 B2 \* 3/2006 Norvell et al. .... 248/918  
D555,612 S \* 11/2007 Sukenari et al. .... D14/126

D564,994 S \* 3/2008 Yamaguchi ..... D14/126  
D598,406 S \* 8/2009 Wang ..... D14/126  
D611,032 S \* 3/2010 Kim ..... D14/188  
D622,239 S \* 8/2010 Liu et al. .... D14/126  
D622,240 S \* 8/2010 Liu et al. .... D14/126  
D624,893 S \* 10/2010 Kasuga et al. .... D14/126  
D638,813 S \* 5/2011 Liu ..... D14/126  
D640,215 S \* 6/2011 Hanson-Abbott ..... D14/126  
D643,004 S \* 8/2011 Honda et al. .... D14/126  
D651,995 S \* 1/2012 Johnson et al. .... D14/126  
D654,450 S \* 2/2012 McManigal et al. .... D14/129

\* cited by examiner

*Primary Examiner* — Raphael Barkai

(74) *Attorney, Agent, or Firm* — Oliff & Berridge, PLC

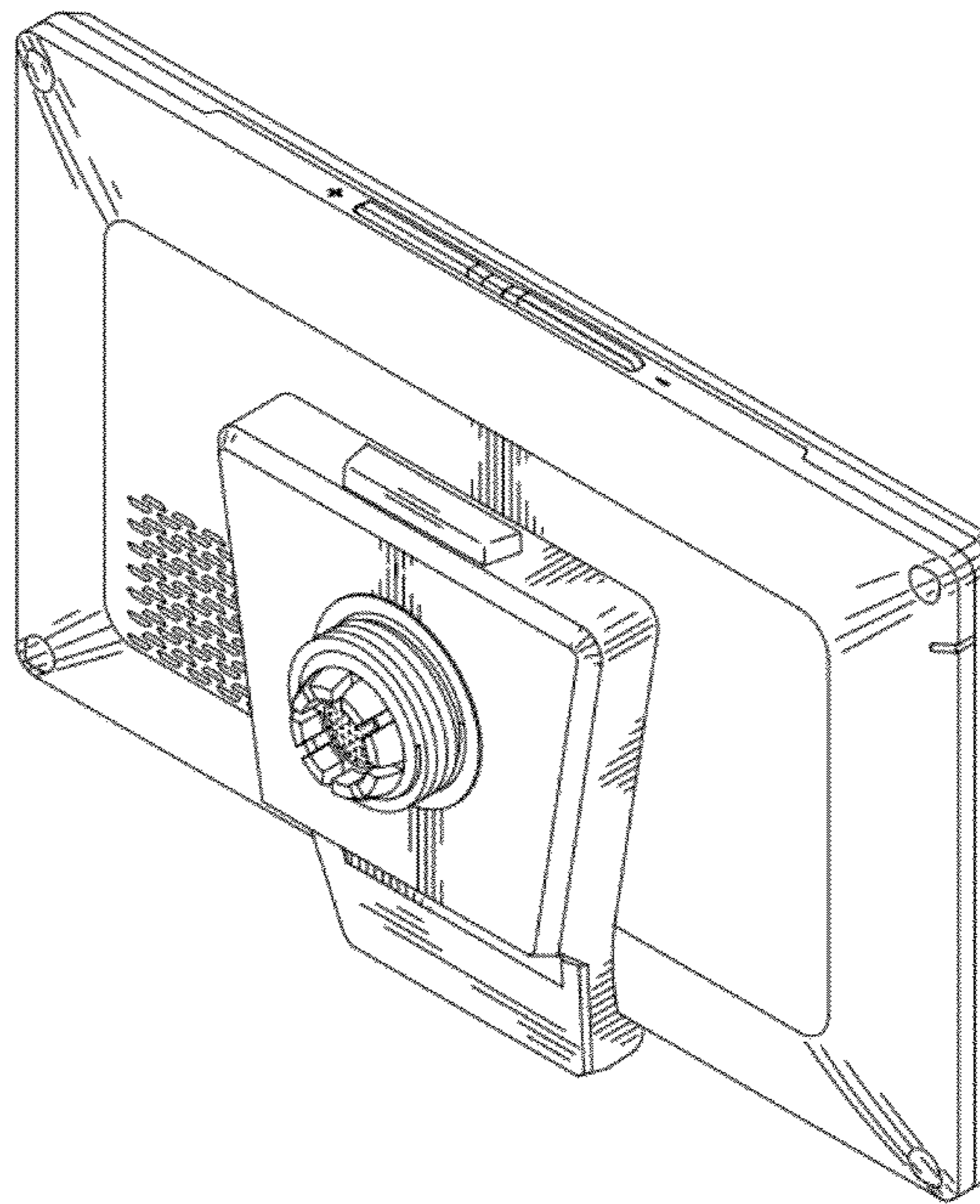
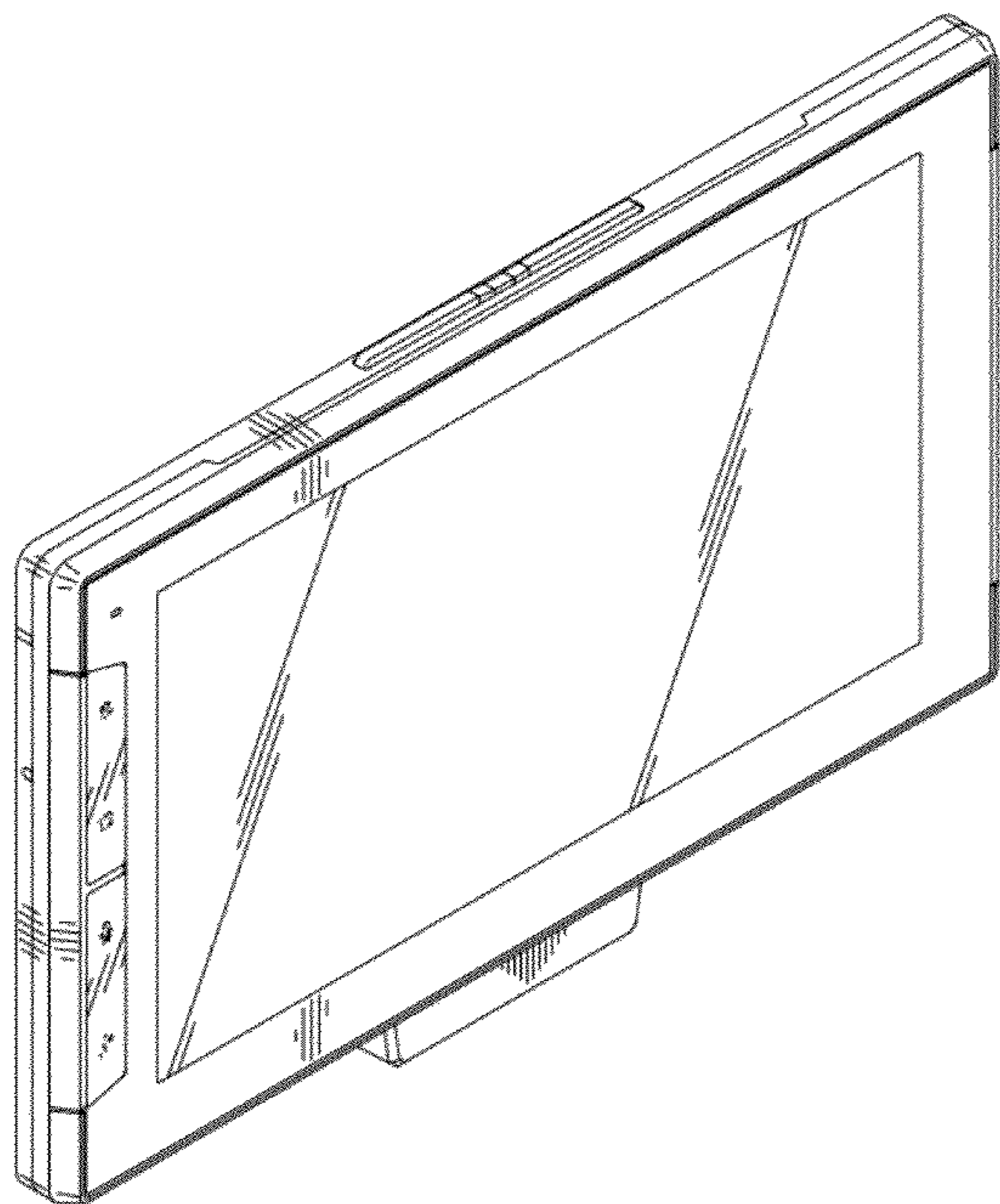
(57) **CLAIM**

The ornamental design for a display unit, as shown and described.

**DESCRIPTION**

FIG. 1 is a perspective view of a display unit;  
FIG. 2 is a front view thereof;  
FIG. 3 is a top view thereof;  
FIG. 4 is a right-side view thereof;  
FIG. 5 is a left-side view thereof;  
FIG. 6 is a rear view thereof;  
FIG. 7 is a bottom view thereof; and,  
FIG. 8 is another perspective view thereof.  
The broken lines illustrate unclaimed subject matter only and form no part of the claimed design.

**1 Claim, 7 Drawing Sheets**



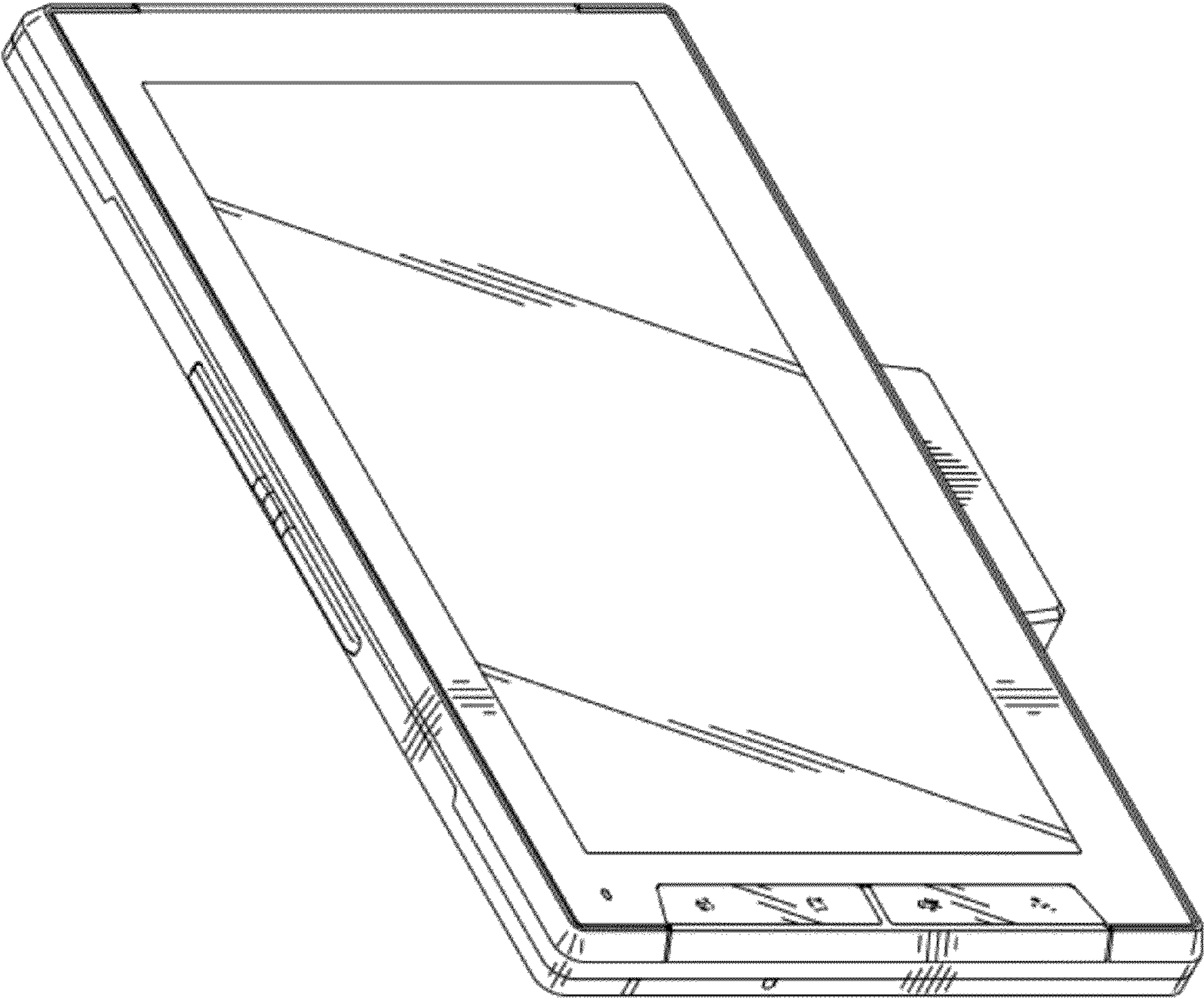


FIG. 1



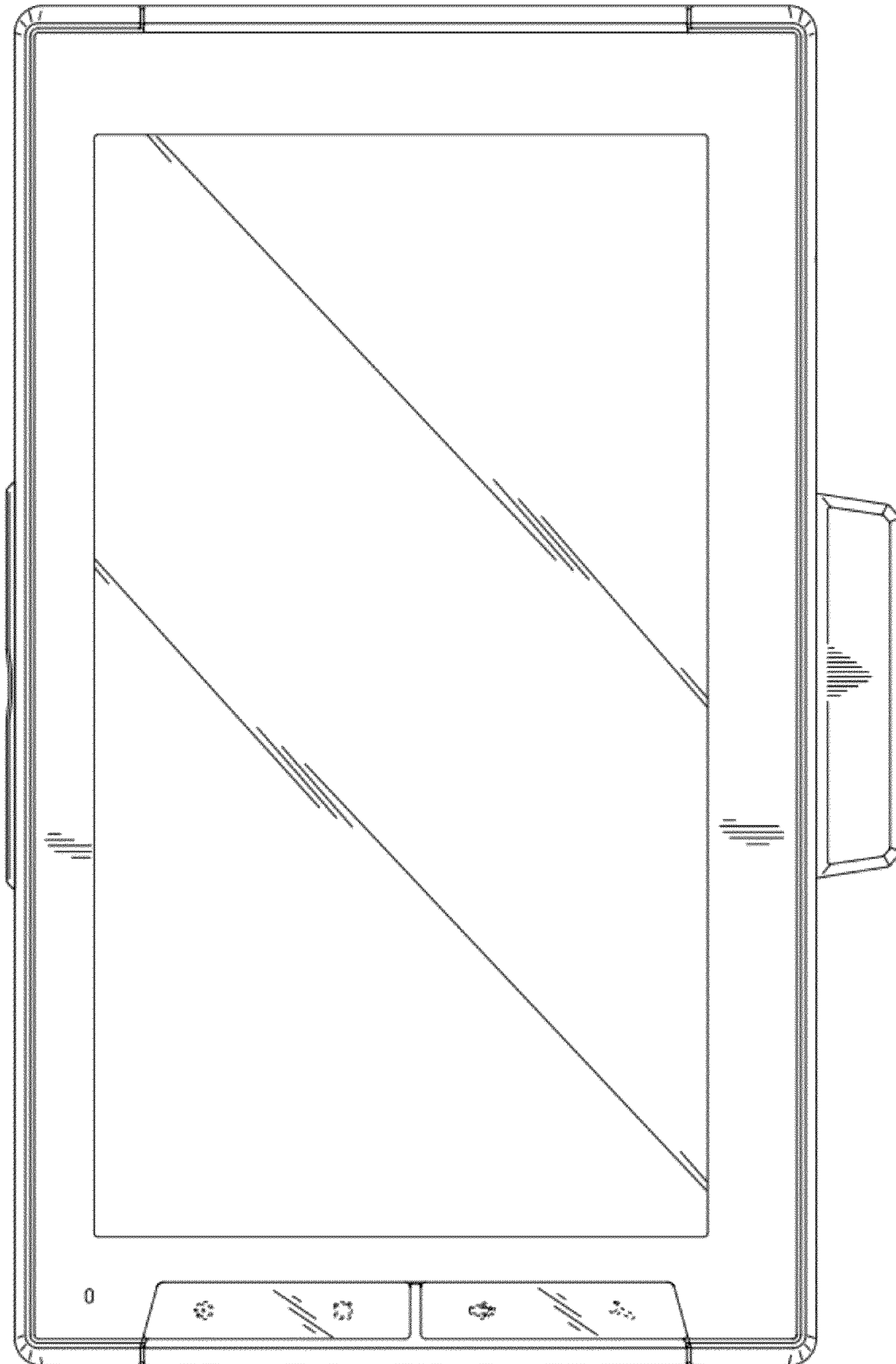


FIG. 2

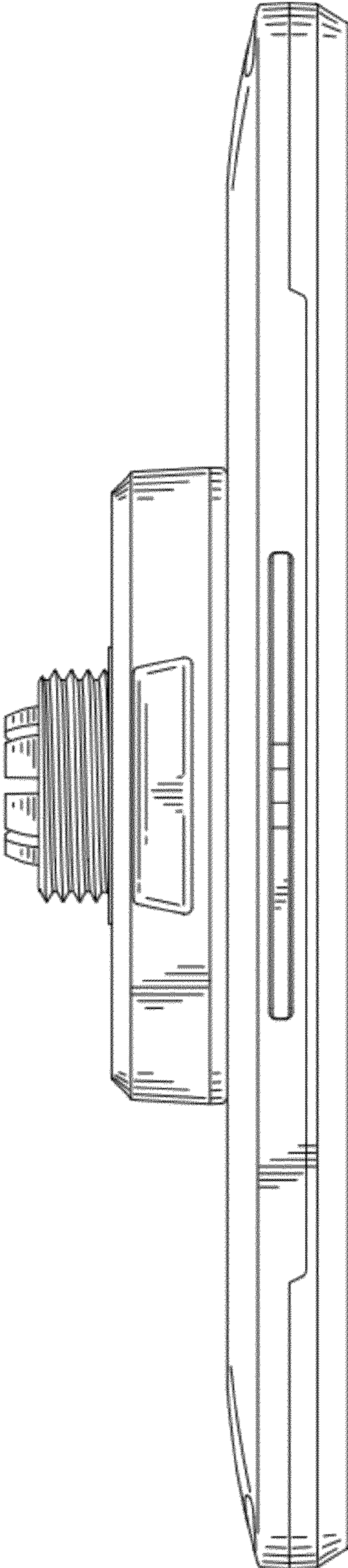


FIG. 3



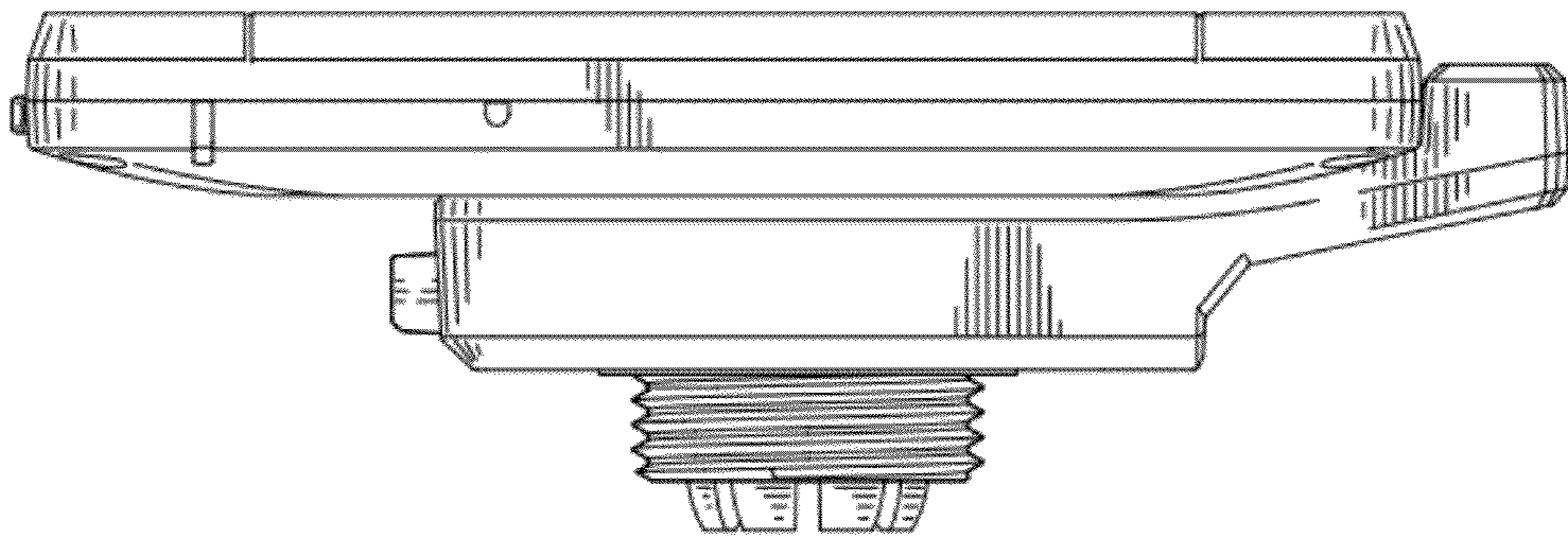


FIG. 5

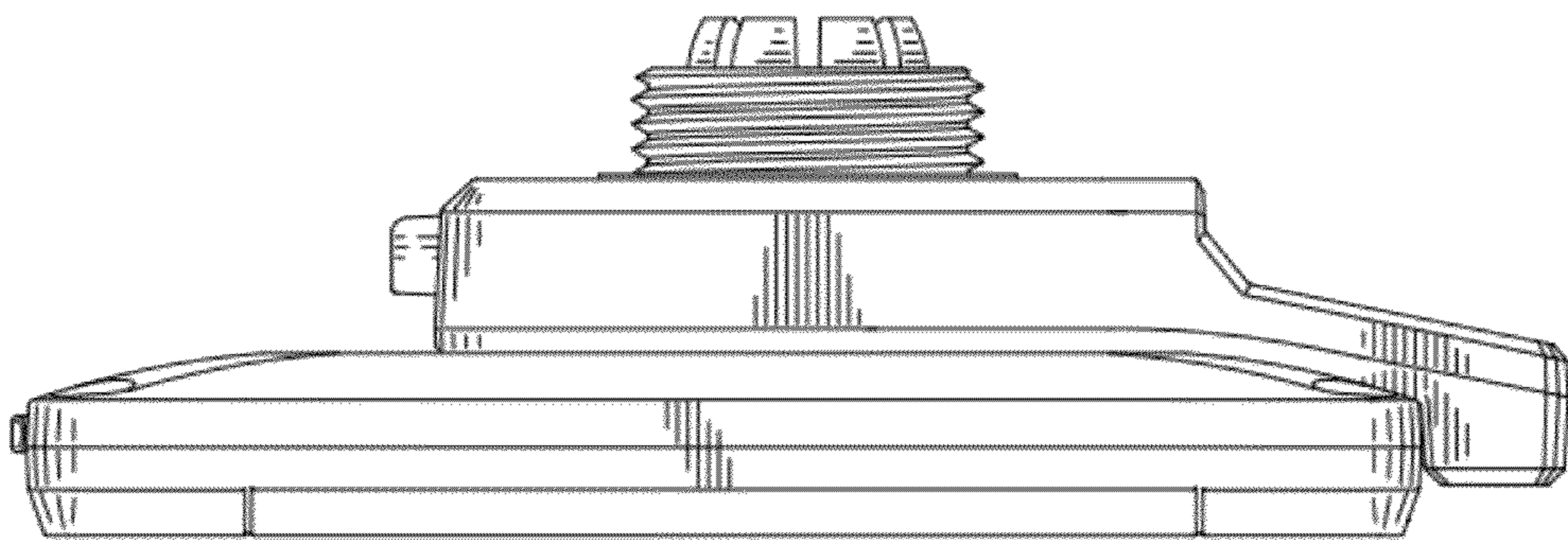


FIG. 4

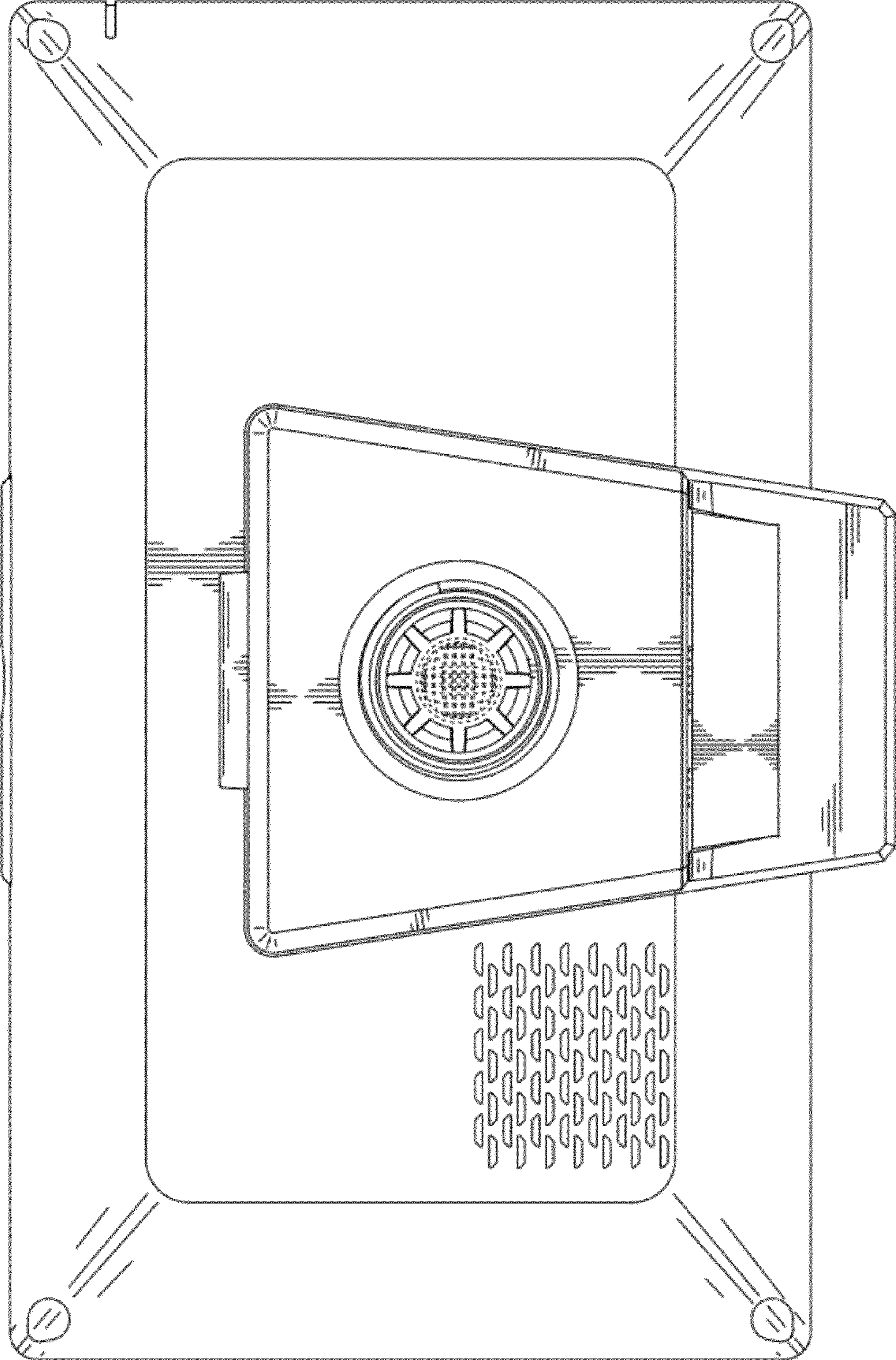


FIG. 6



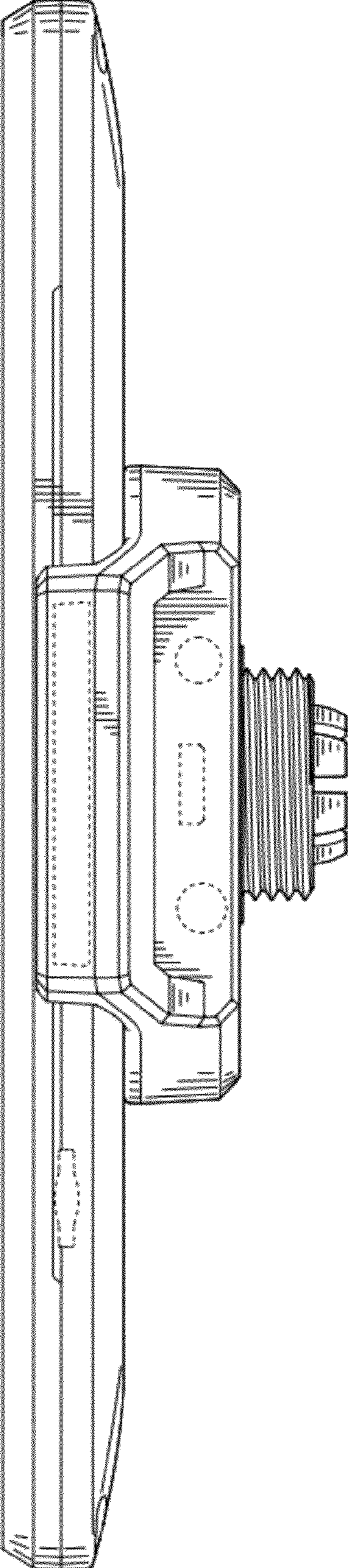


FIG. 7

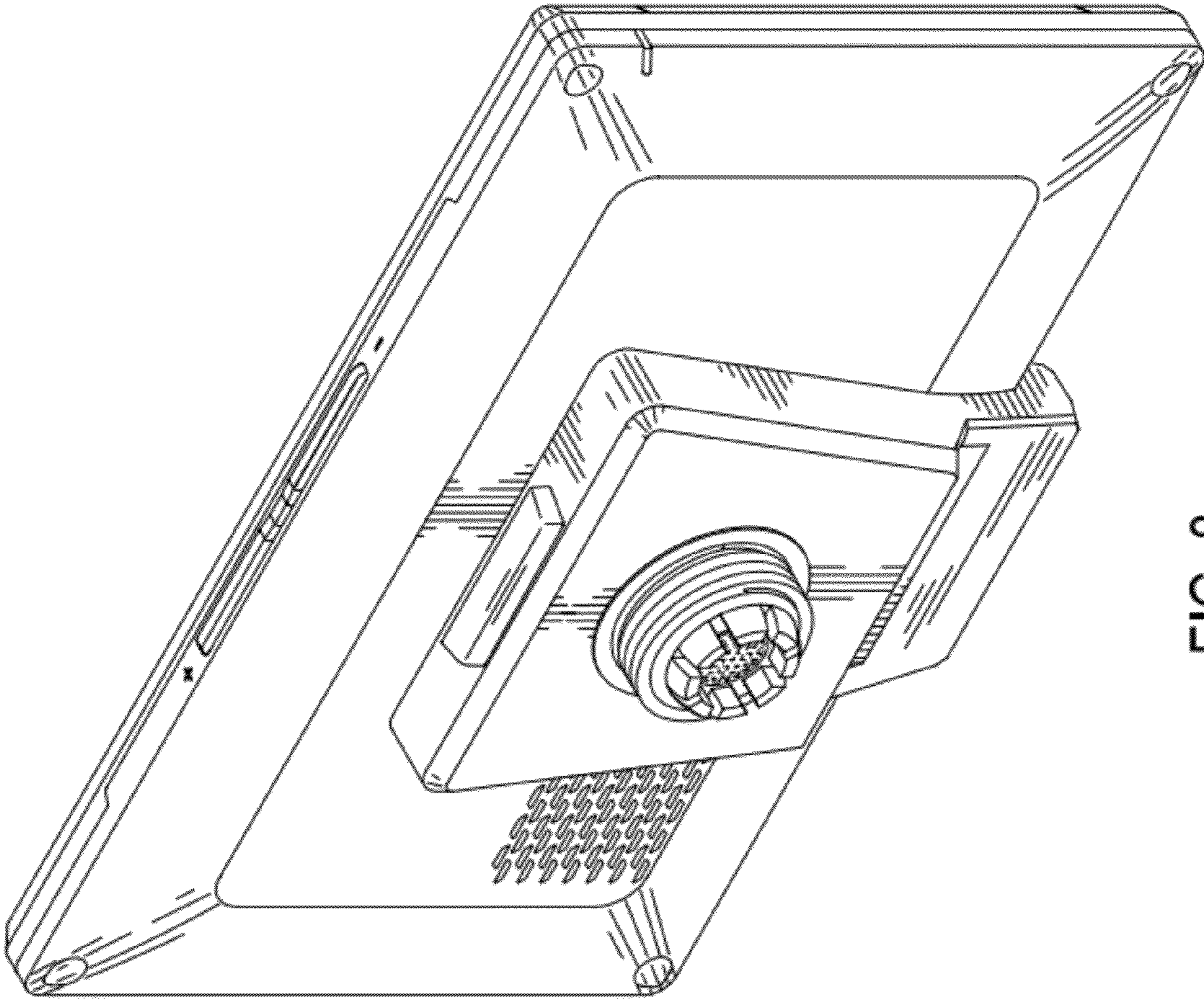


FIG. 8