

US00D666563S

(12) **United States Design Patent**  
**Lee**

(10) **Patent No.:** **US D666,563 S**  
(45) **Date of Patent:** **\*\* Sep. 4, 2012**

(54) **DIGITAL SET-TOP BOX**

(75) Inventor: **Sang-Ho Lee**, Gyeonggi-do (KR)

(73) Assignee: **Kaonmedia Co., Ltd.**, Gyeonggi-Do (KR)

(\*\*) Term: **14 Years**

(21) Appl. No.: **29/404,752**

(22) Filed: **Oct. 25, 2011**

(30) **Foreign Application Priority Data**

May 5, 2011 (KR) ..... 30-2011-0018552

(51) **LOC (9) Cl.** ..... **14-03**

(52) **U.S. Cl.** ..... **D14/125**

(58) **Field of Classification Search** ..... D14/125,  
D14/357-358, 496, 188, 242, 432; D13/184;  
348/10, 460, 706, 731; 340/825.03; 455/6.1,  
455/6.2; 312/223.1, 7.2

See application file for complete search history.

(56) **References Cited**

**U.S. PATENT DOCUMENTS**

- D599,753 S \* 9/2009 Cho et al. .... D14/125
- D621,832 S \* 8/2010 Lee et al. .... D14/358
- D627,318 S \* 11/2010 Petersen et al. .... D14/125
- D635,940 S \* 4/2011 Cho et al. .... D14/125
- D639,254 S \* 6/2011 Giovannoni et al. .... D14/125

- D644,192 S \* 8/2011 McManigal et al. .... D14/125
- D648,722 S \* 11/2011 Meyerhoffer et al. .... D14/346
- D649,948 S \* 12/2011 Chiu ..... D14/126
- D651,993 S \* 1/2012 Cheng ..... D14/125

**OTHER PUBLICATIONS**

- U.S. Appl. No. 29/404,736 to Sang-Ho Lee, filed Oct. 25, 2011.
- U.S. Appl. No. 29/404,757 to Sang-Ho Lee, filed Oct. 25, 2011.

\* cited by examiner

*Primary Examiner* — Raphael Barkai

*Assistant Examiner* — Randall Gholson

(74) *Attorney, Agent, or Firm* — Greenblum & Bernstein P.L.C.

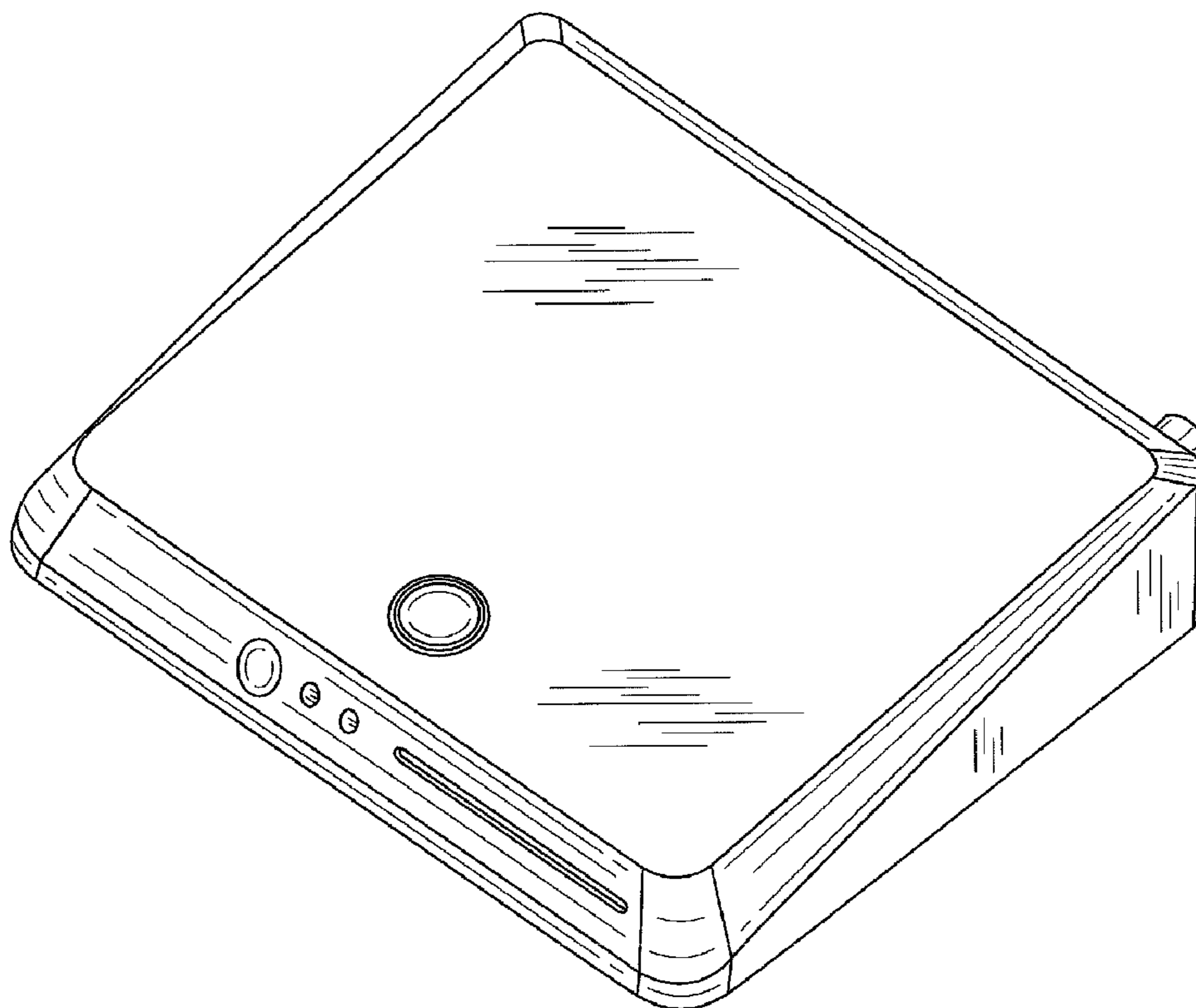
(57) **CLAIM**

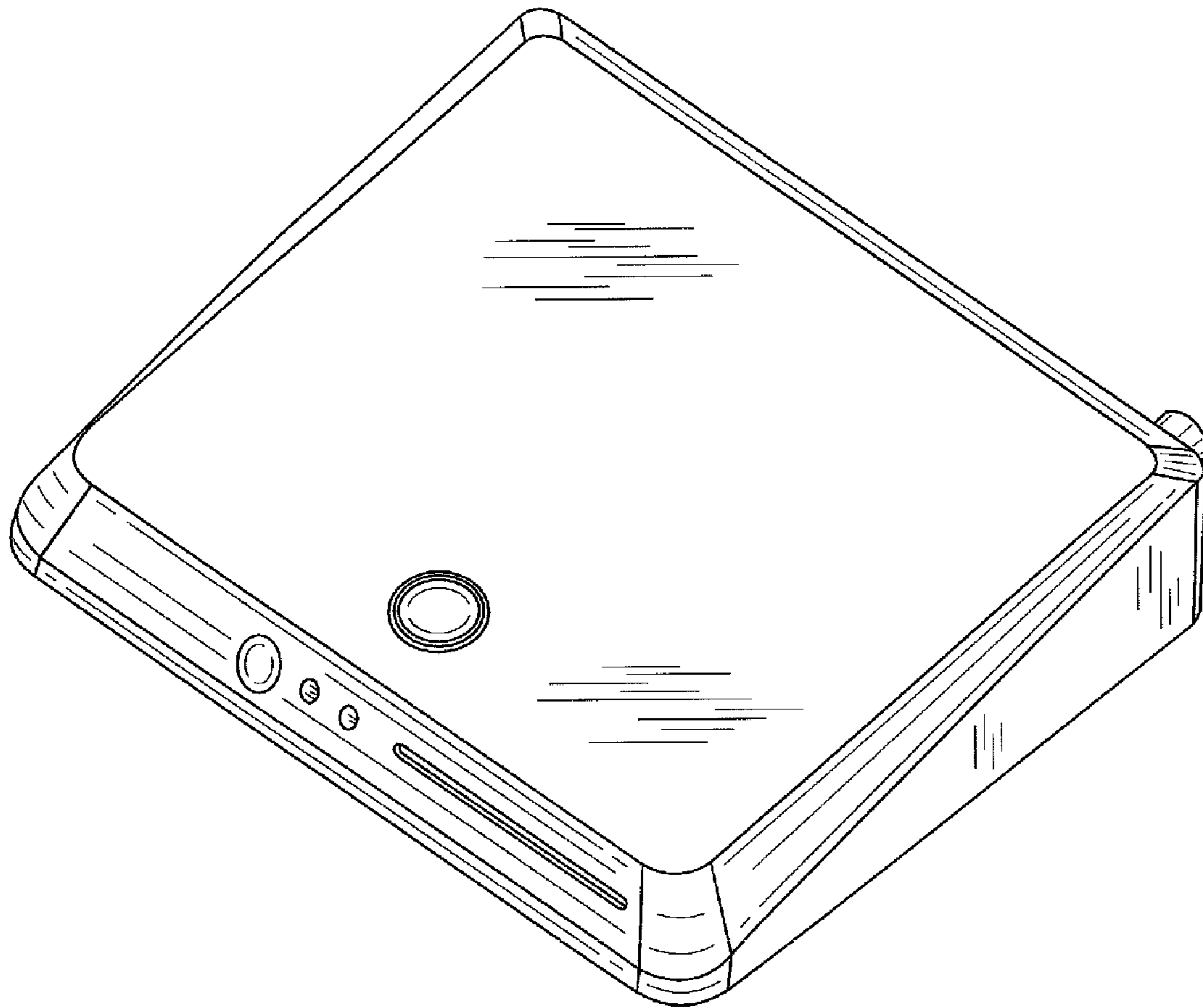
I claim the ornamental design for a digital set top box, as shown and described.

**DESCRIPTION**

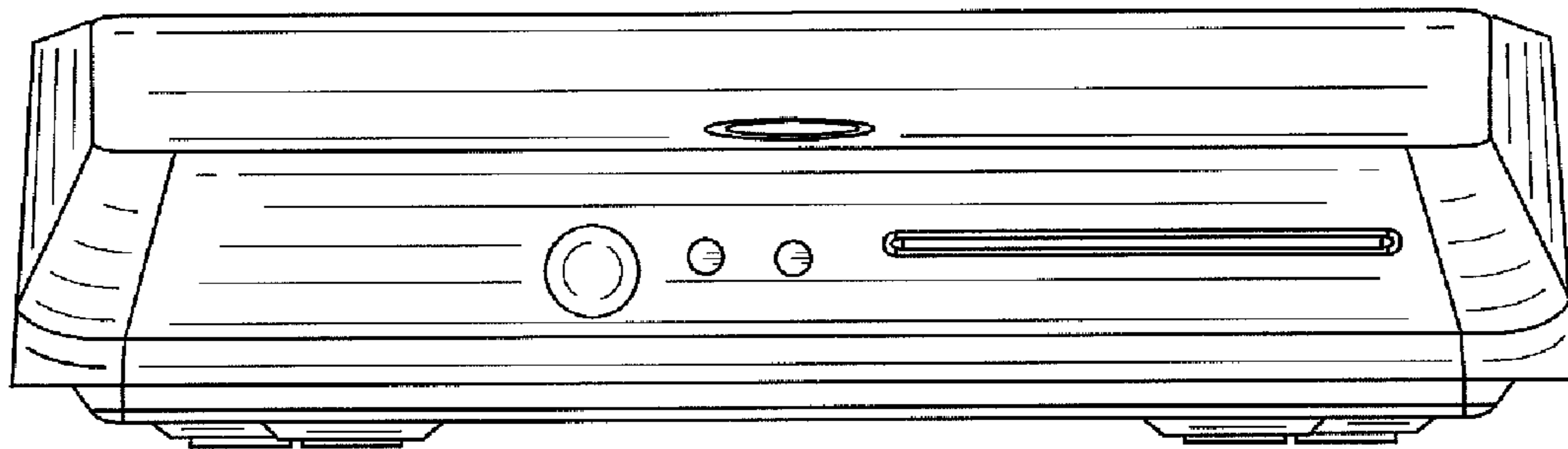
FIG. 1 is a front perspective view of a digital set top box, showing my new design;  
 FIG. 2 is a front elevational view thereof;  
 FIG. 3 is a bottom view thereof;  
 FIG. 4 is a top plan view thereof;  
 FIG. 5 is a left side elevational view thereof;  
 FIG. 6 is a right side elevational view thereof;  
 FIG. 7 is a rear elevational view thereof; and,  
 FIG. 8 is a rear perspective view thereof.

**1 Claim, 7 Drawing Sheets**

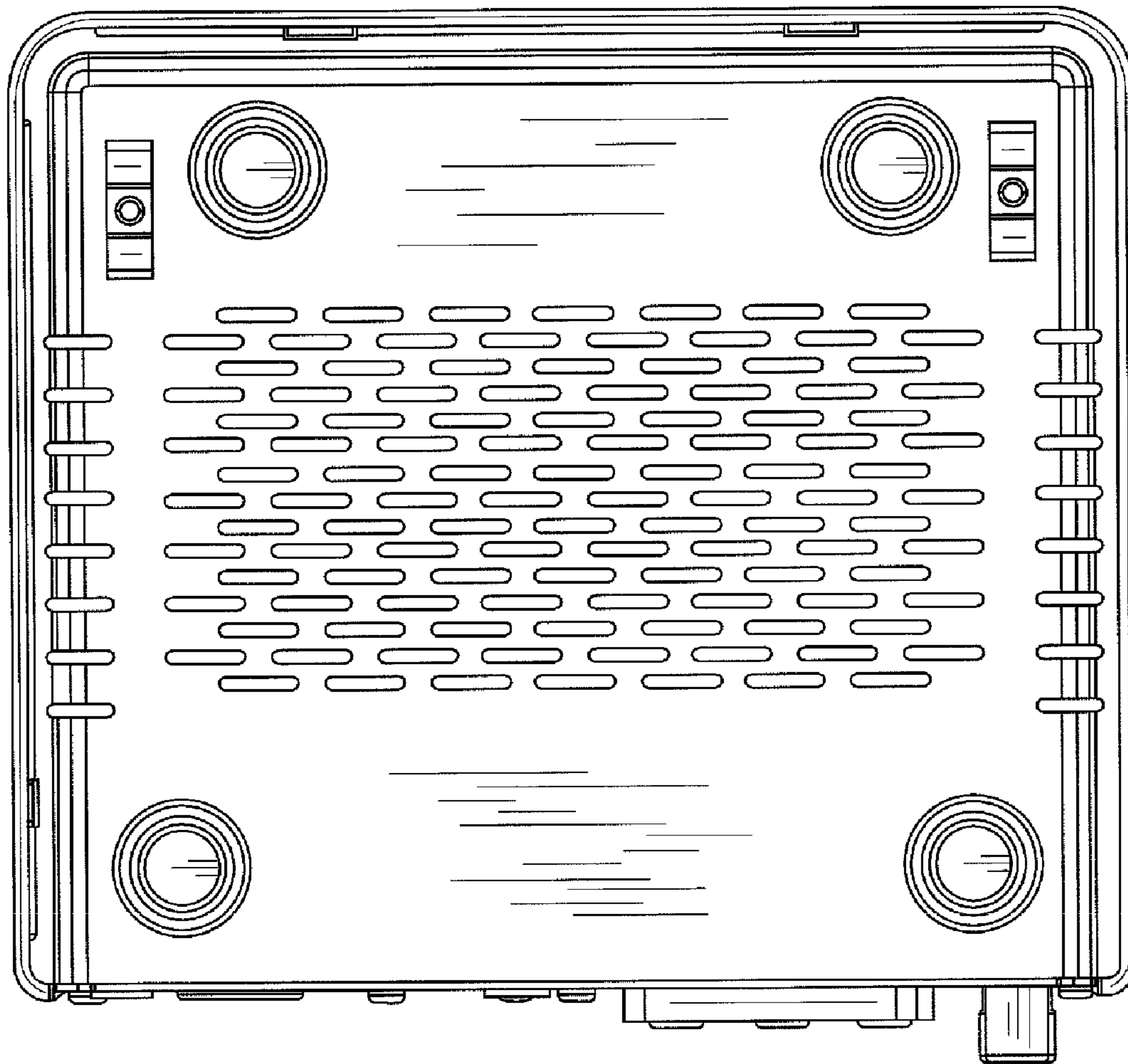




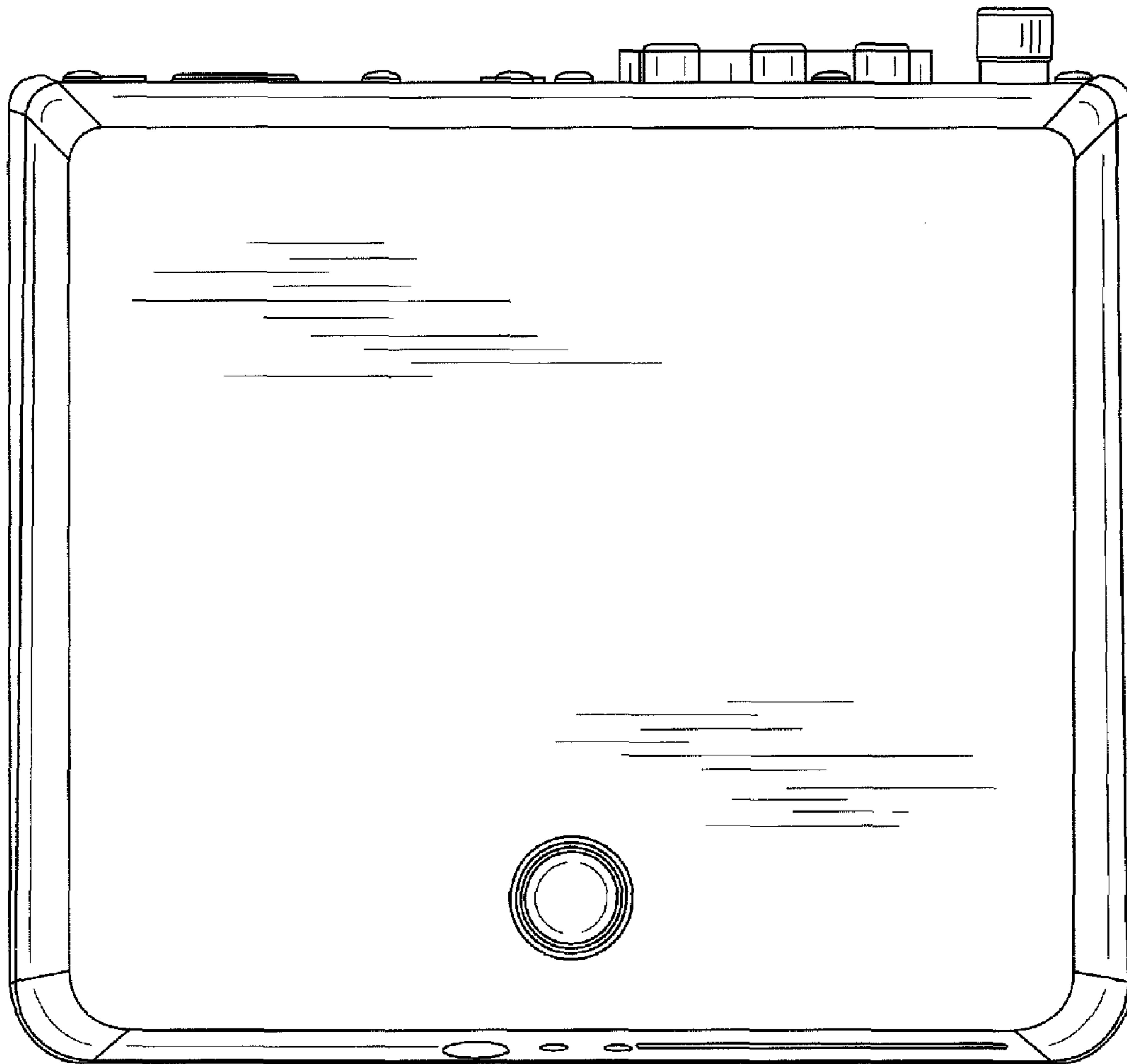
**FIG. 1**



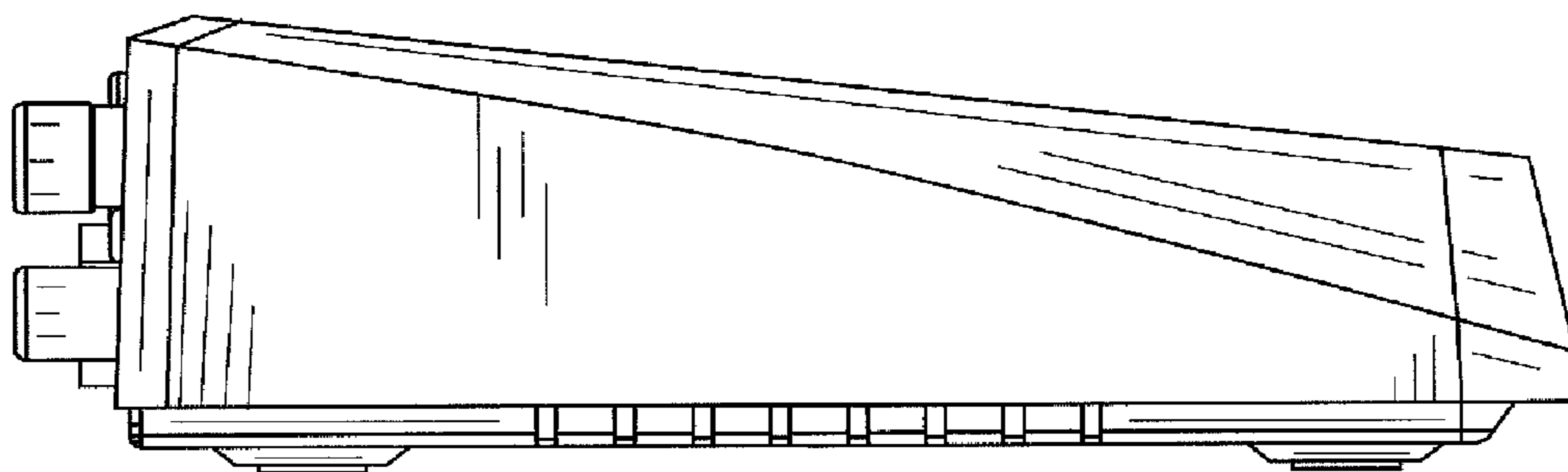
**FIG. 2**



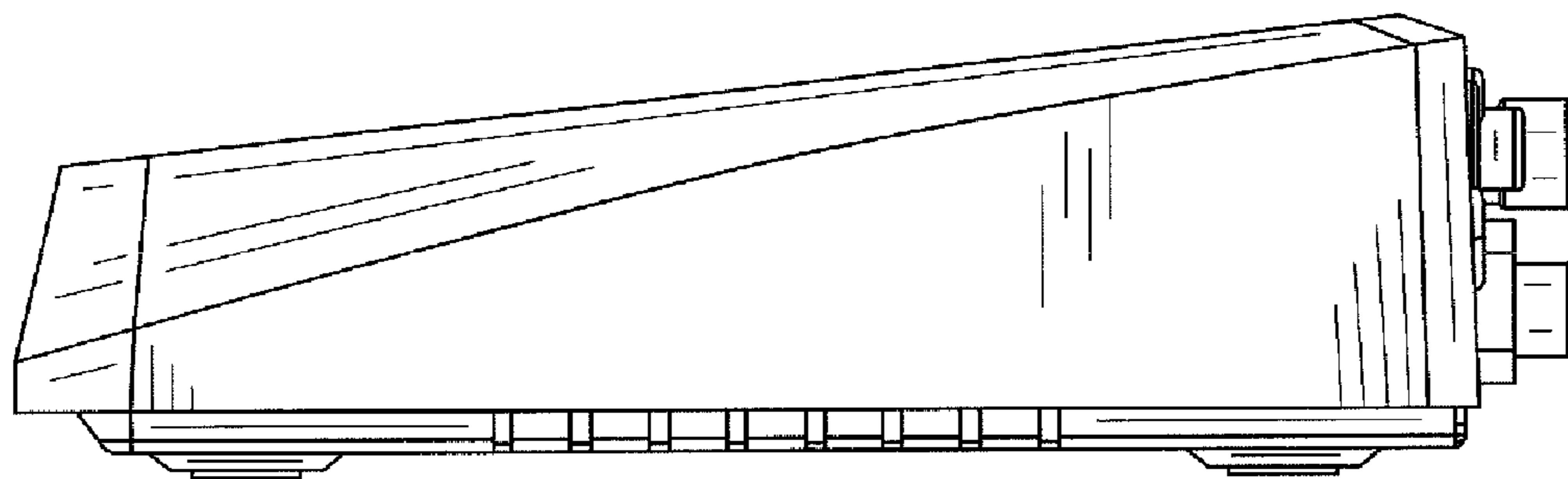
**FIG. 3**



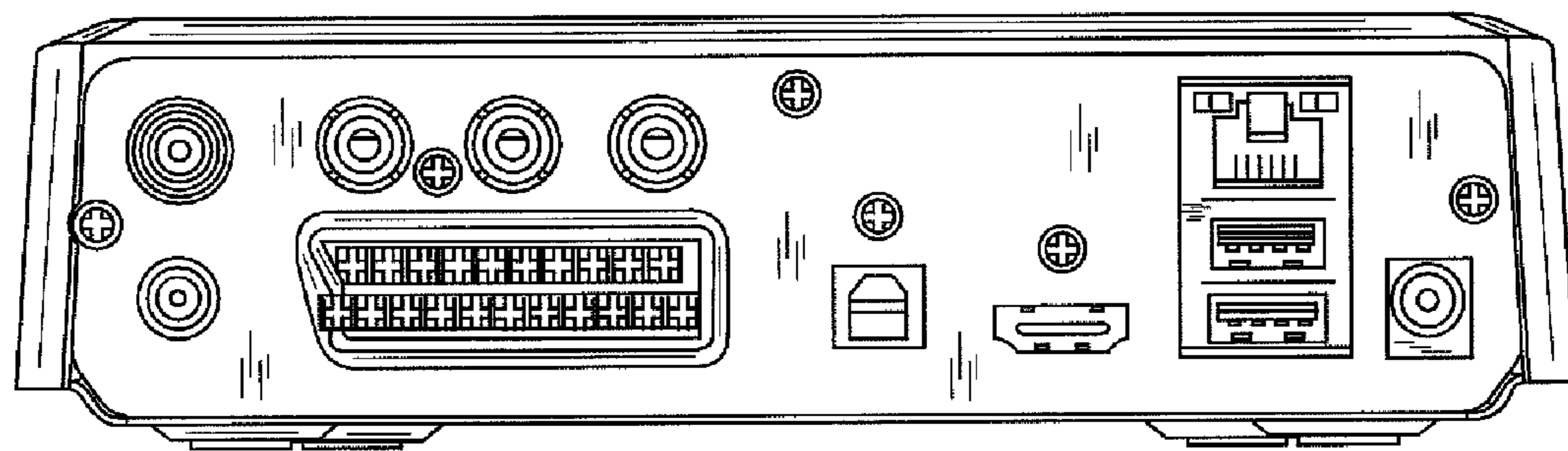
**FIG. 4**



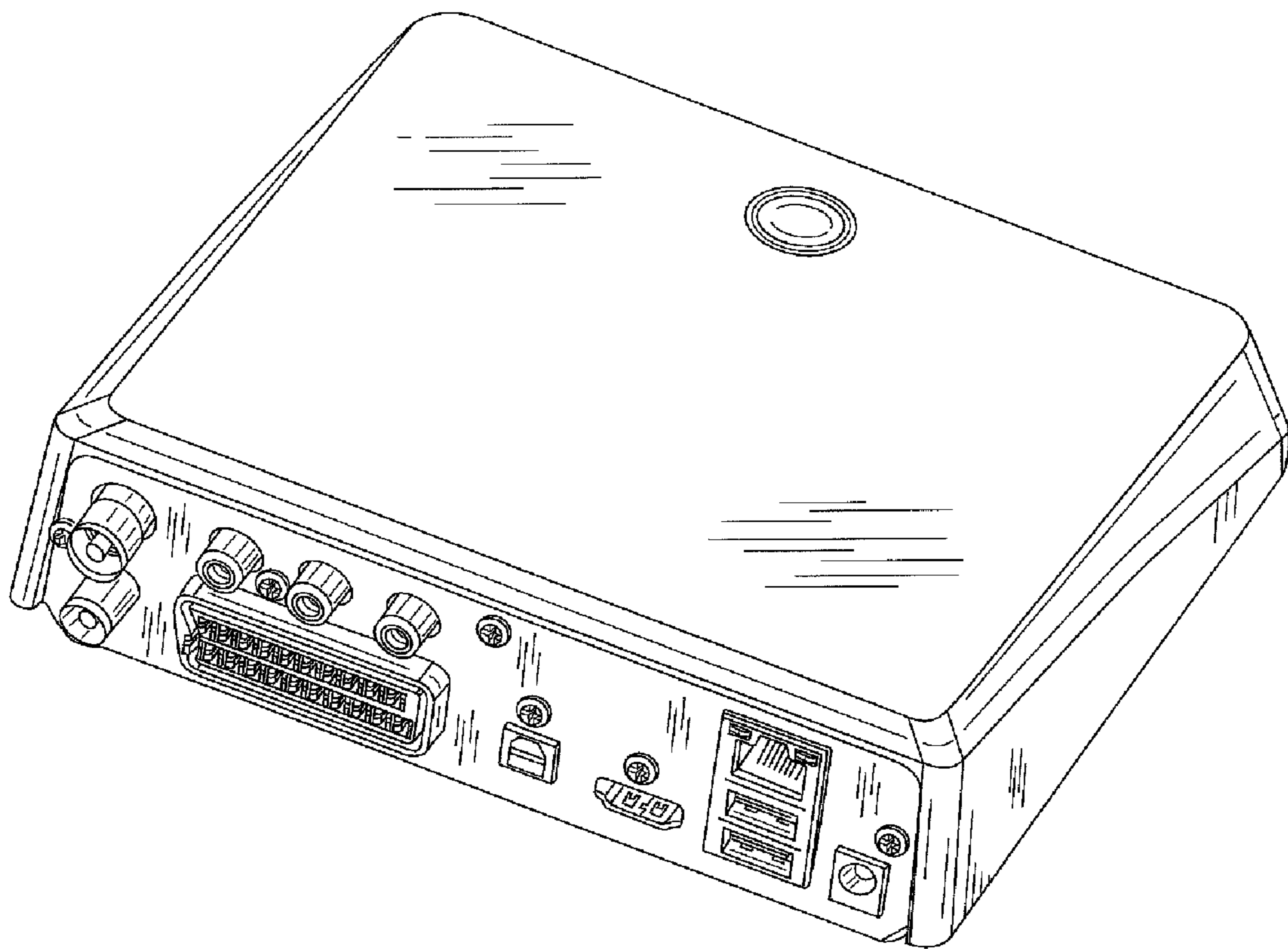
**FIG. 5**



**FIG. 6**



**FIG. 7**



**FIG. 8**