



US00D666560S

(12) **United States Design Patent**  
**Naumann et al.**

(10) **Patent No.:** **US D666,560 S**  
(45) **Date of Patent:** **\*\* Sep. 4, 2012**

- (54) **PROTECTIVE CASING FOR ELECTRICAL DEVICES**
- (75) Inventors: **Reiner Naumann**, Mannheim (DE);  
**Markus Reinhart**, Hassmersheim (DE);  
**Frank Hieronymus**,  
Hesseneck-Schoellenbach (DE)
- (73) Assignee: **Cooper Crouse-Hinds GmbH**, Soest  
(DE)
- (\*\*) Term: **14 Years**
- (21) Appl. No.: **29/379,328**
- (22) Filed: **Nov. 17, 2010**

**Related U.S. Application Data**

- (62) Division of application No. 29/342,085, filed on Aug. 18, 2009, now Pat. No. Des. 629,762.

(30) **Foreign Application Priority Data**

- Feb. 18, 2009 (CN) ..... 2009 3 0005239
- Feb. 18, 2009 (CN) ..... 2009 3 0005240
- Feb. 18, 2009 (CN) ..... 2009 3 0005241
- Feb. 18, 2009 (CN) ..... 2009 3 0005242
- Feb. 18, 2009 (CN) ..... 2009 3 0005243
- Feb. 18, 2009 (CN) ..... 2009 3 0005244
- Feb. 18, 2009 (CN) ..... 2009 3 0005245
- Feb. 18, 2009 (CN) ..... 2009 3 0005246
- Feb. 18, 2009 (CN) ..... 2009 3 0005247
- Feb. 18, 2009 (CN) ..... 2009 3 0005248
- Feb. 18, 2009 (CN) ..... 2009 3 0005249
- Feb. 18, 2009 (CN) ..... 2009 3 0005250
- Feb. 18, 2009 (EP) ..... 001089700
- (51) **LOC (9) Cl.** ..... **13-03**
- (52) **U.S. Cl.** ..... **D13/160**
- (58) **Field of Classification Search** ..... D13/158,  
D13/159, 160, 161, 162, 184, 199; 200/43.14,  
200/50.01, 50.21-50.23, 51 R, 293, 400,  
200/401; 361/42, 44, 45, 50, 71, 115, 608,  
361/634

See application file for complete search history.

(56) **References Cited**

U.S. PATENT DOCUMENTS

D229,699 S	12/1973	Hehs	
D300,315 S	3/1989	Thomas	
5,493,083 A	2/1996	Olivier	
D406,106 S	2/1999	Gonser	
D425,493 S	5/2000	Cutright et al.	
D498,464 S	11/2004	Kim	
D580,880 S	11/2008	Liffran	
D584,251 S	1/2009	Lewis et al.	
D629,367 S	12/2010	Detemple et al.	
D629,762 S	12/2010	Naumann et al.	
D633,059 S	2/2011	Delakowitz	
D637,977 S	* 5/2011	Naumann et al.	D13/160
D641,711 S	* 7/2011	Azzola et al.	D13/160
D643,374 S	* 8/2011	Naumann et al.	D13/160
D643,375 S	* 8/2011	Naumann et al.	D13/160
D643,376 S	* 8/2011	Naumann et al.	D13/160

OTHER PUBLICATIONS

Stahl, Control Panels, Distribution Panels and Components, Miniature Circuit-Breaker Series 8562, Dec. 5, 2006, pp. 1-26, Stahl Internal Catalogue. Stahl, Control Panels, Distribution Panels and Components, EEx d Enclosures in Light Metal or Stainless Steel Flameproof Encapsulation CUBEx Series 8264, Mar. 11, 2006, pp. 1-8, Stahl General Catalogue.  
Bartec, Relais, Nov. 2008, 1 page, Bartec brochure.  
\* cited by examiner

*Primary Examiner* — Thomas Johannes

(74) *Attorney, Agent, or Firm* — King & Spalding LLP

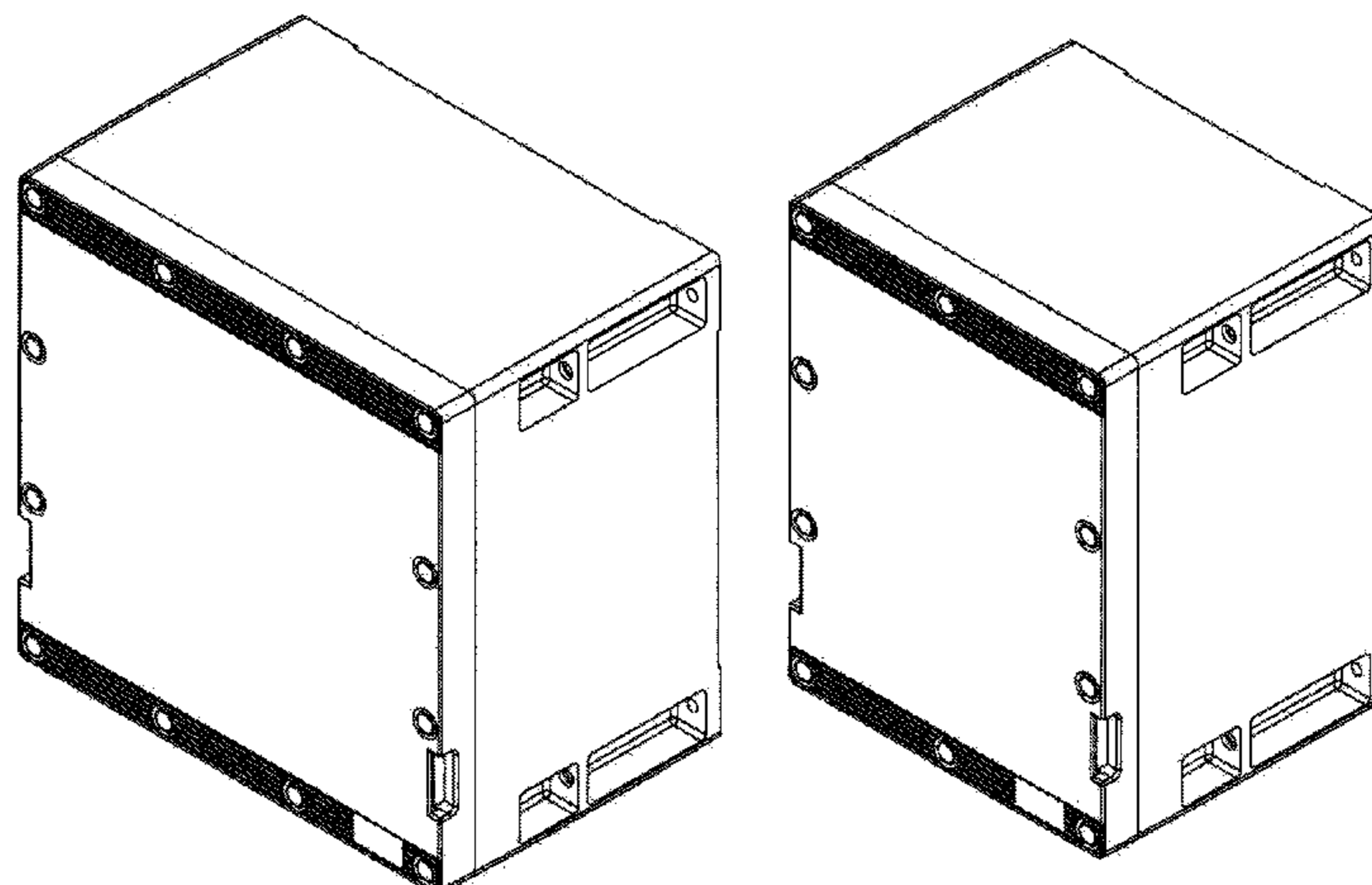
(57) **CLAIM**

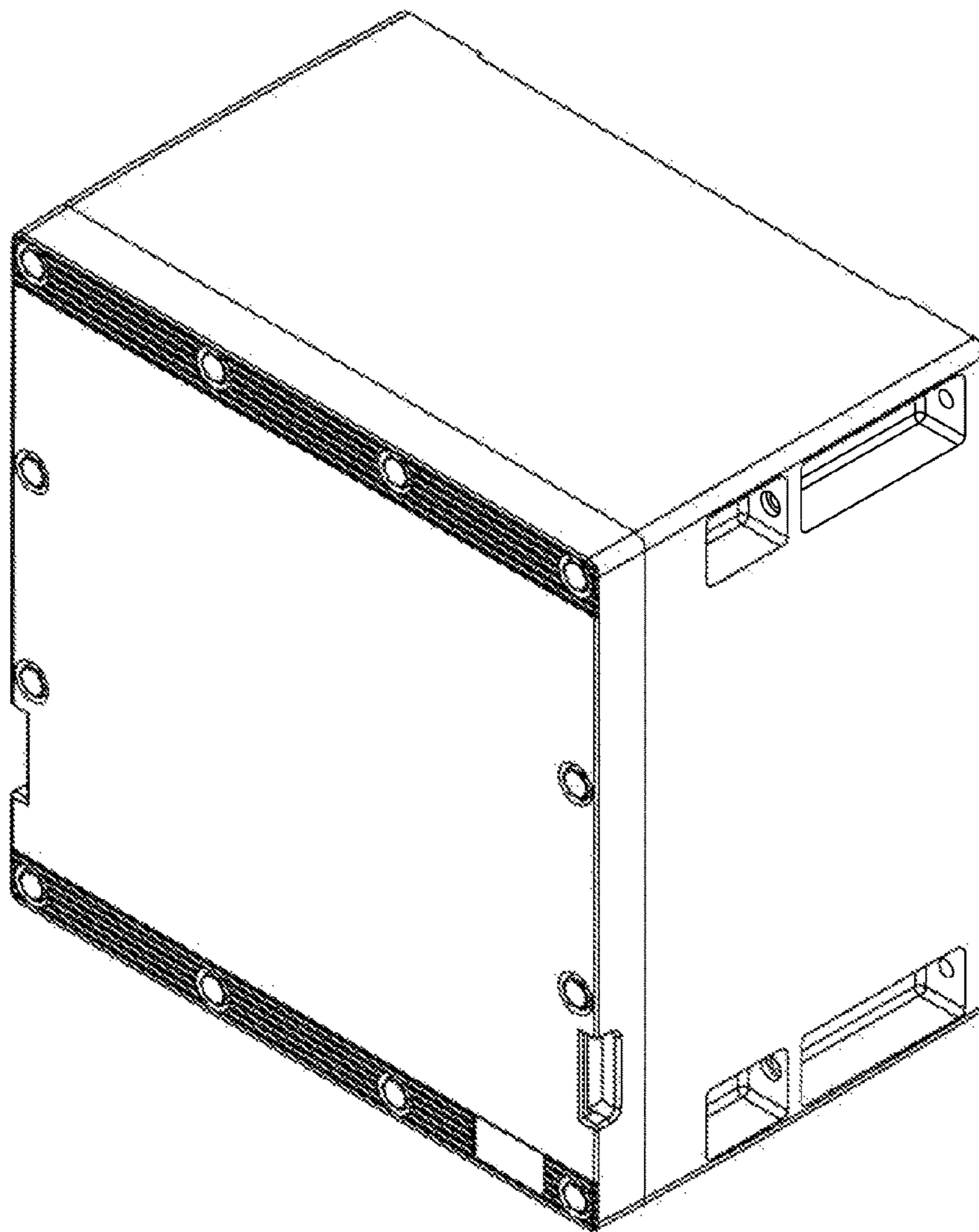
The ornamental design for protective casing for electrical devices, as shown and described.

**DESCRIPTION**

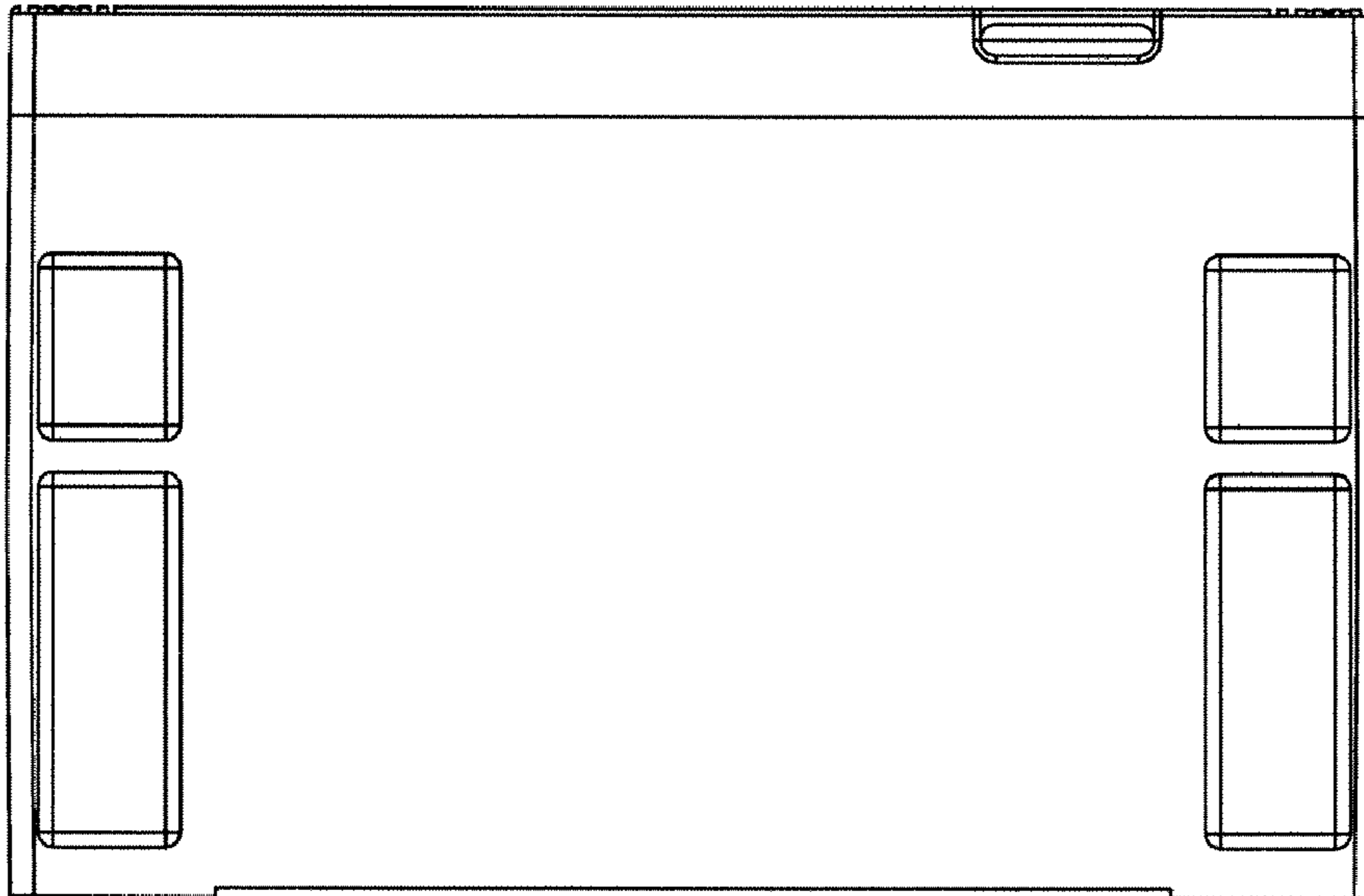
FIG. 1 is a perspective view of a first embodiment of a protective casing for electrical devices showing our new design; FIG. 2 is a right side elevation view thereof; FIG. 3 is a left side elevation view thereof; FIG. 4 is a front elevation view thereof; FIG. 5 is a rear elevation view thereof; and, FIG. 6 is a top plan view thereof; FIG. 7 is a perspective view of a second embodiment of a protective casing for electrical devices showing our new design; FIG. 8 is a right side elevation view thereof; FIG. 9 is a left side elevation view thereof; FIG. 10 is a front elevation view thereof; FIG. 11 is a rear elevation view thereof; and, FIG. 12 is a top plan view thereof.

**1 Claim, 7 Drawing Sheets**

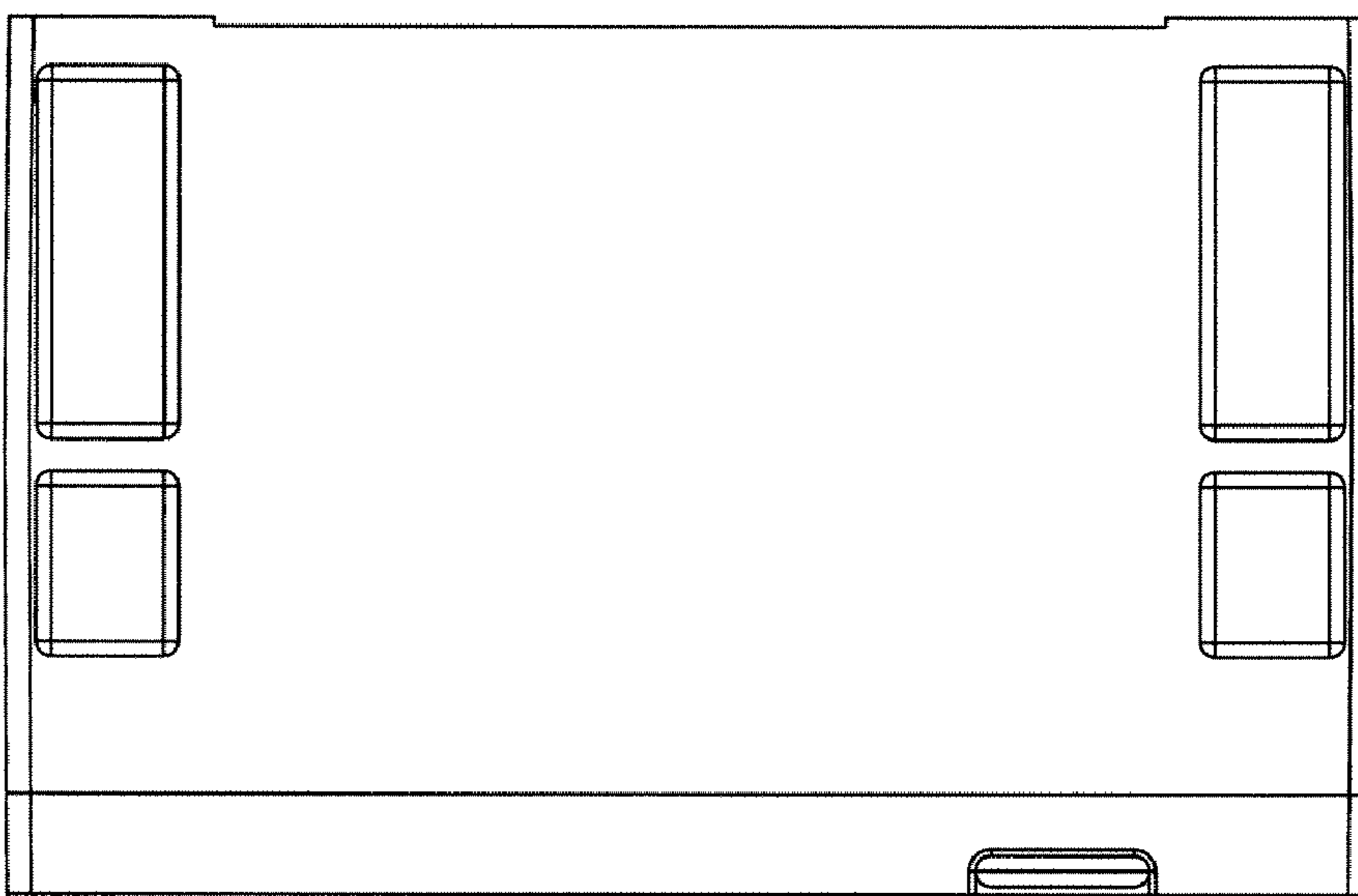




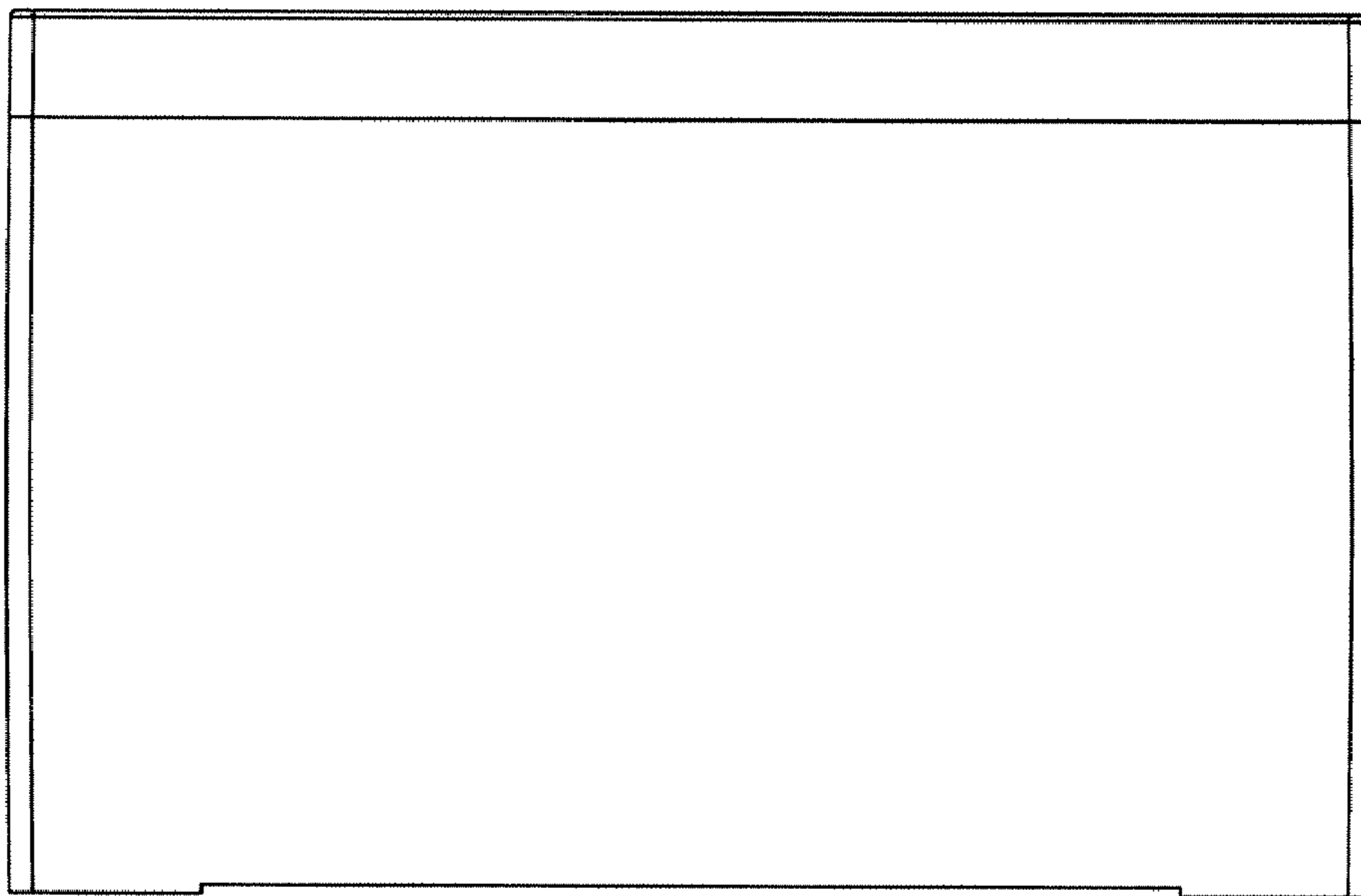
**FIG. 1**



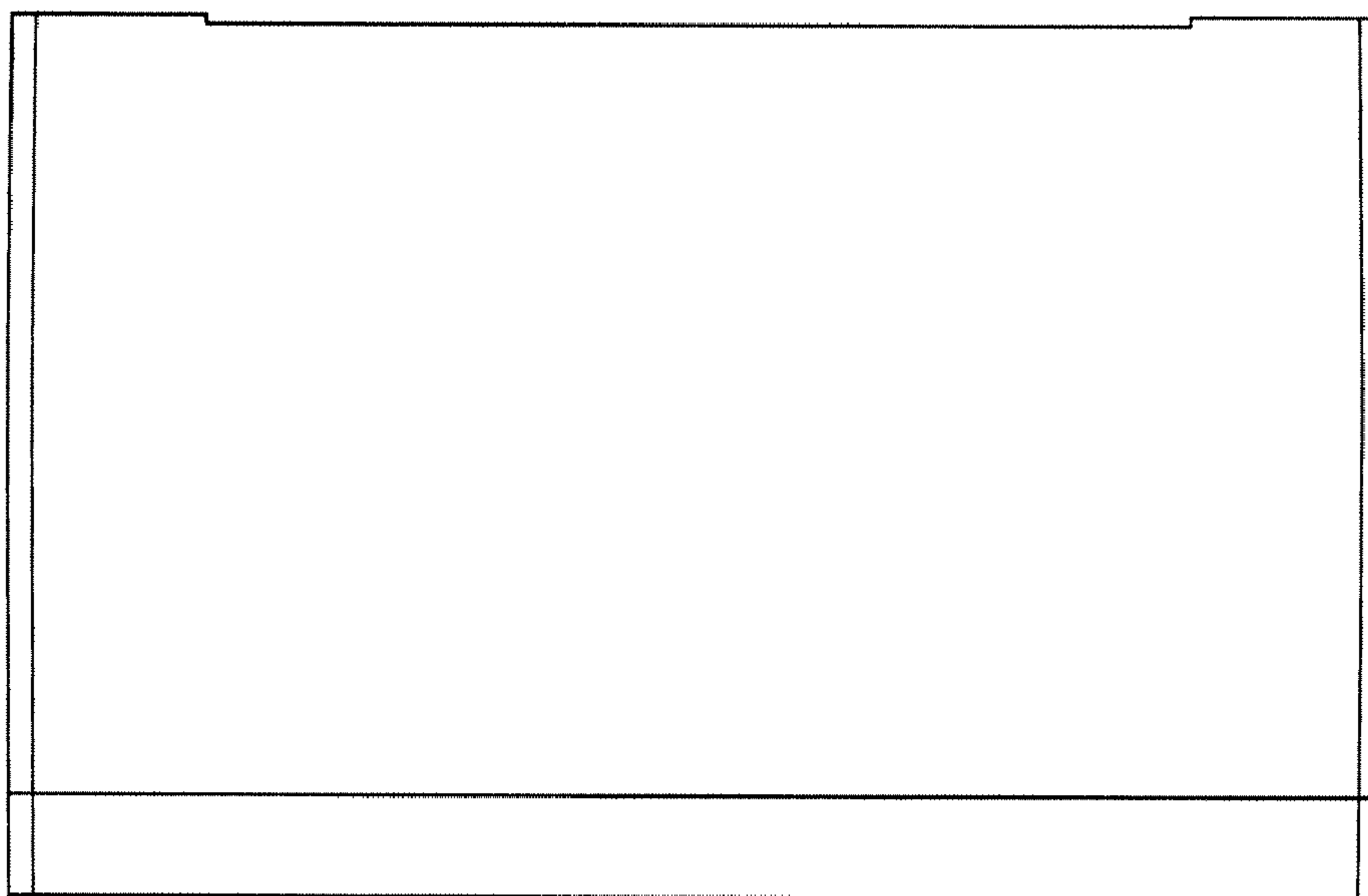
**FIG. 3**



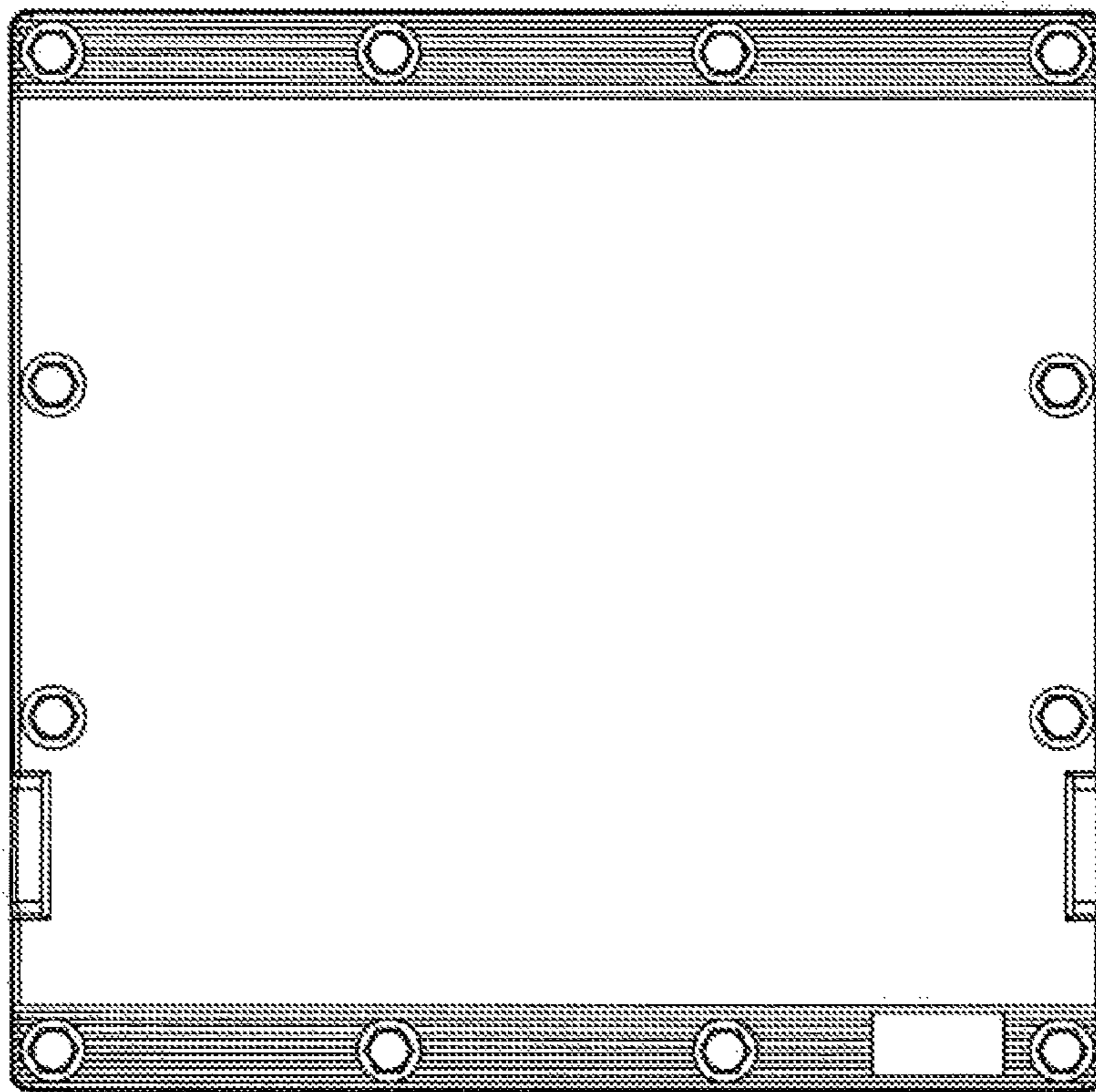
**FIG. 2**



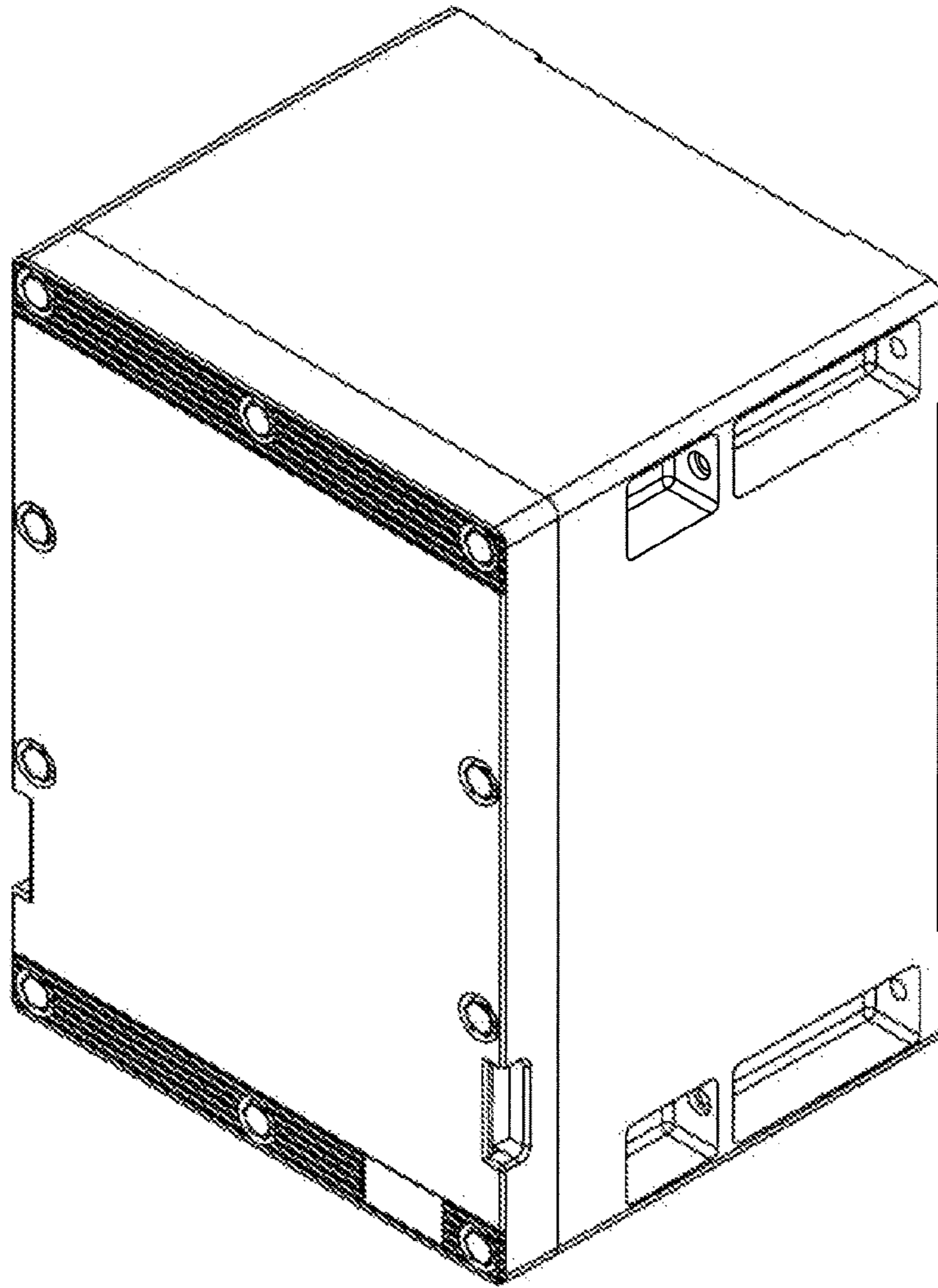
**FIG. 4**



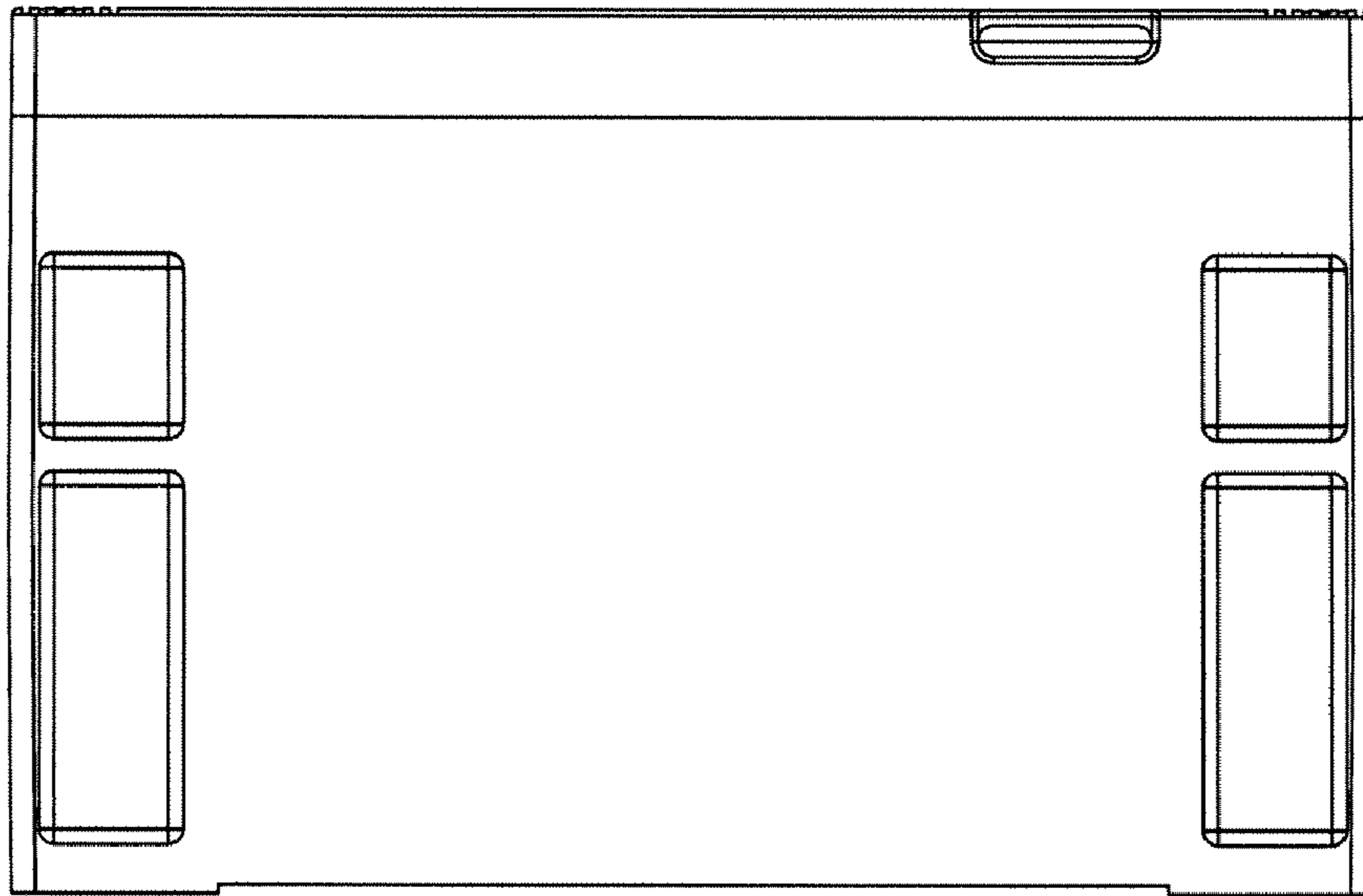
**FIG. 5**



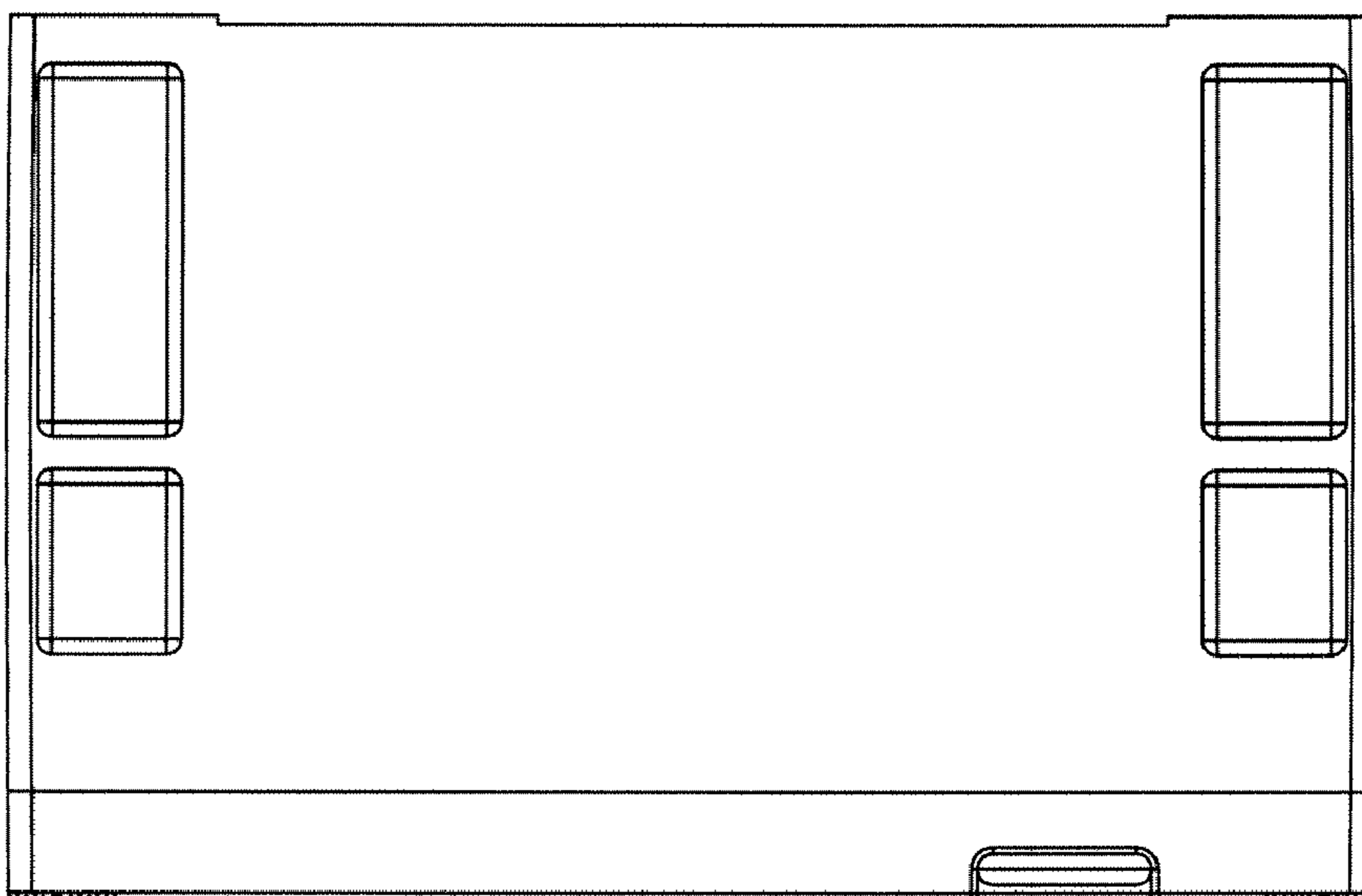
**FIG. 6**



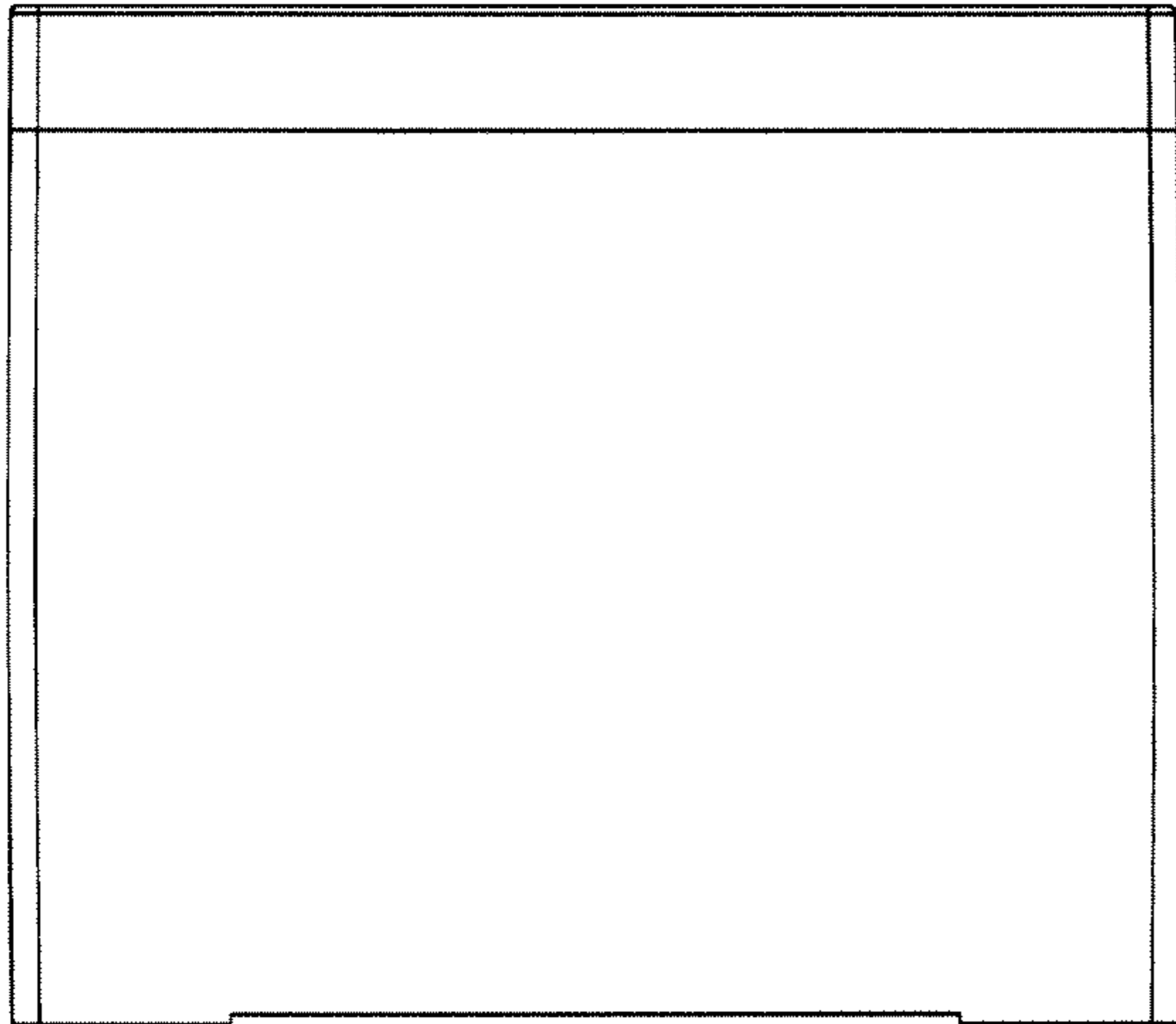
**FIG. 7**



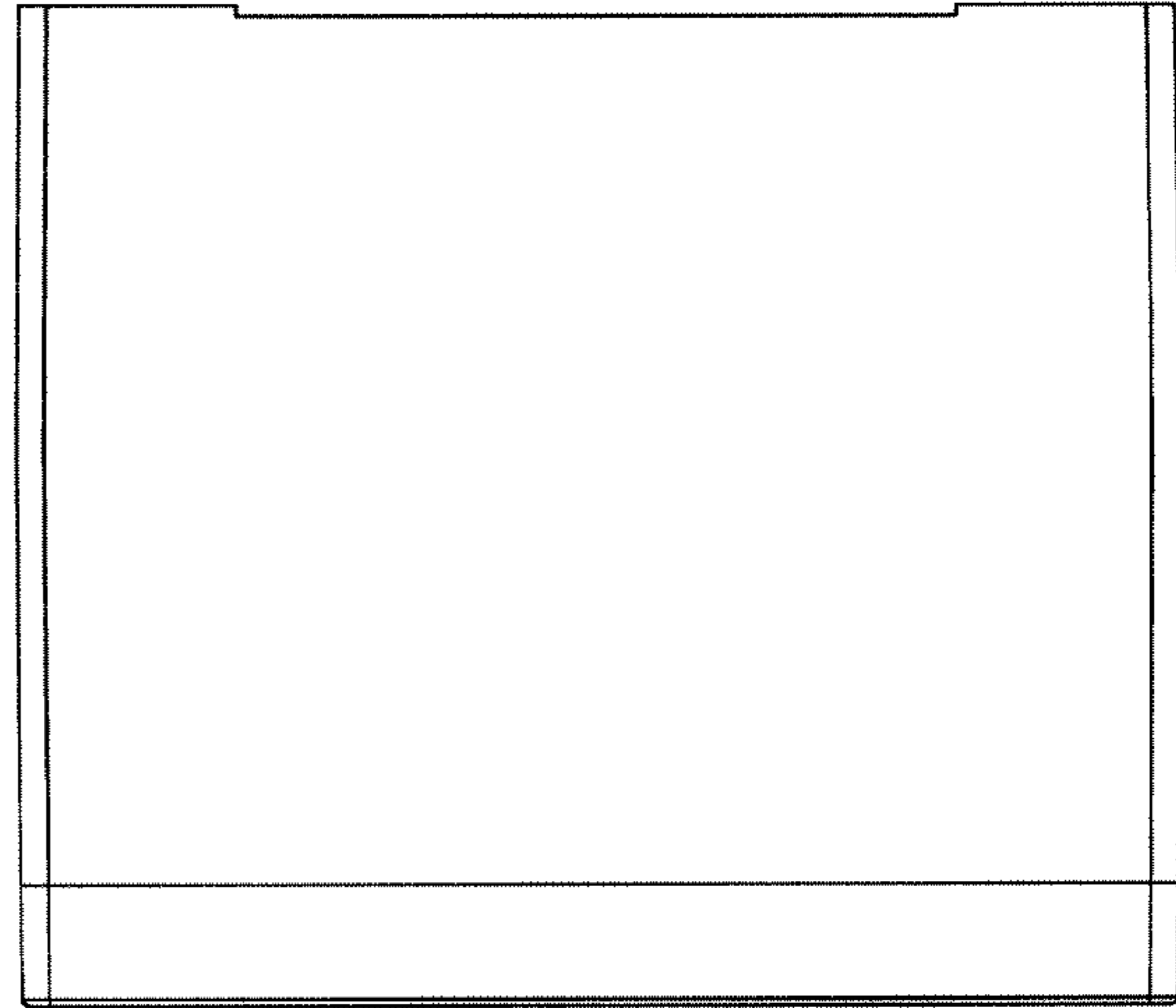
*FIG. 9*



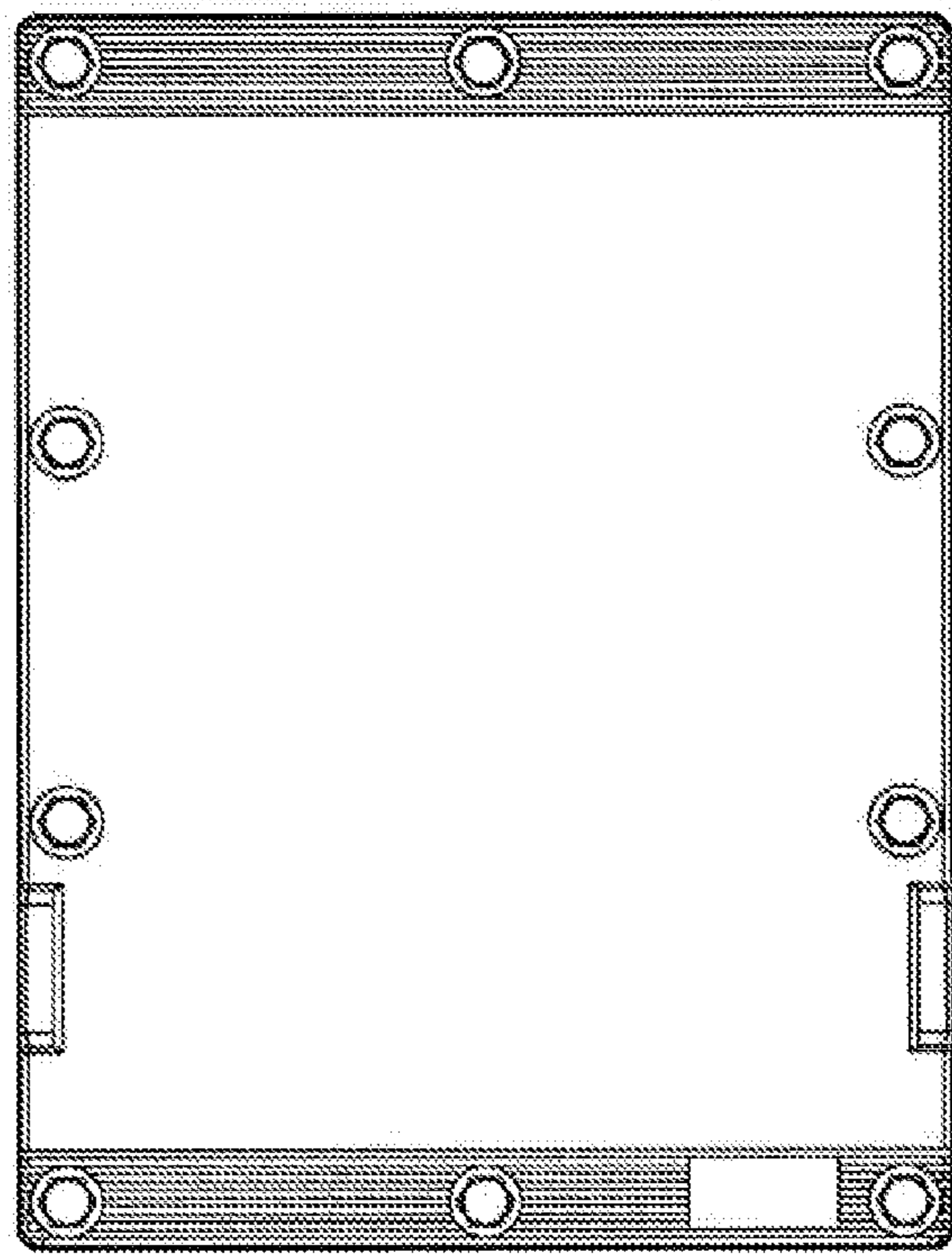
*FIG. 8*



*FIG. 10*



*FIG. 11*



*FIG. 12*