

US00D666556S

(12) **United States Design Patent**
Byrne

(10) **Patent No.:** **US D666,556 S**
(45) **Date of Patent:** **** Sep. 4, 2012**

- (54) **POWER AND DATA CENTER**
- (76) Inventor: **Norman R. Byrne**, Ada, MI (US)
- (**) Term: **14 Years**
- (21) Appl. No.: **29/407,333**
- (22) Filed: **Nov. 28, 2011**

Related U.S. Application Data

- (63) Continuation-in-part of application No. 29/343,190, filed on Sep. 9, 2009, now Pat. No. Des. 649,514.
- (51) **LOC (9) Cl.** **13-03**
- (52) **U.S. Cl.** **D13/139.4**
- (58) **Field of Classification Search** D13/139.1, D13/139.2, 139.3, 139.4, 139.5, 139.6, 139.7, D13/139.8, 138.1, 138.2, 123, 133, 137.1, D13/137.2, 184, 137.3, 137.4, 124, 160, 162, D13/164, 178, 154, 156, 107, 110, 145, 177; D14/433, 256; D8/350, 353; 174/53, 55, 174/56, 59, 66, 494, 153 G, 152 G, 154, 167, 174/168, 650, 656; 439/101, 105, 43, 53, 439/374, 894, 46, 55, 63, 92, 93, 95, 102, 439/106, 107, 108, 135, 149, 222, 266, 285, 439/291, 300, 344, 373, 535, 620.21, 638, 439/660, 907, 650, 651, 652, 653, 654; 361/42
See application file for complete search history.

(56) **References Cited**

U.S. PATENT DOCUMENTS

- D353,363 S 12/1994 Toby
- 5,575,668 A * 11/1996 Timmerman 439/131
- D392,254 S 3/1998 Gevaert
- D407,374 S * 3/1999 Byrne D13/139.4
- 5,980,279 A * 11/1999 Muller 439/142
- D420,327 S * 2/2000 Byrne D13/139.4
- 6,028,267 A 2/2000 Byrne
- D437,827 S * 2/2001 Gershfeld D13/139.4
- 6,290,518 B1 9/2001 Byrne
- D455,123 S 4/2002 Gershfeld
- D455,716 S 4/2002 Gershfeld

- D457,137 S 5/2002 Gershfeld
- D472,213 S 3/2003 Byrne
- 6,923,663 B2 8/2005 Oddsen
- 7,045,706 B1 5/2006 Lincoln
- D526,961 S * 8/2006 Kissinger et al. D13/139.4
- D535,257 S 1/2007 Byrne
- D556,139 S 11/2007 Gershfeld
- D597,960 S * 8/2009 Dinh et al. D13/152
- 7,736,178 B2 * 6/2010 Byrne 439/574
- D622,219 S * 8/2010 Byrne D13/147
- D626,070 S * 10/2010 Byrne D13/139.4
- D639,244 S * 6/2011 Byrne D13/139.4
- 7,989,738 B2 * 8/2011 Byrne 219/452.11
- D649,514 S * 11/2011 Byrne D13/139.4
- 2004/0147147 A1 7/2004 Griepentrog
- 2004/0238197 A1 12/2004 Gates, II

* cited by examiner

Primary Examiner — Angela J Lee

(74) *Attorney, Agent, or Firm* — Varnum, Riddering, Schmidt & Howlett LLP

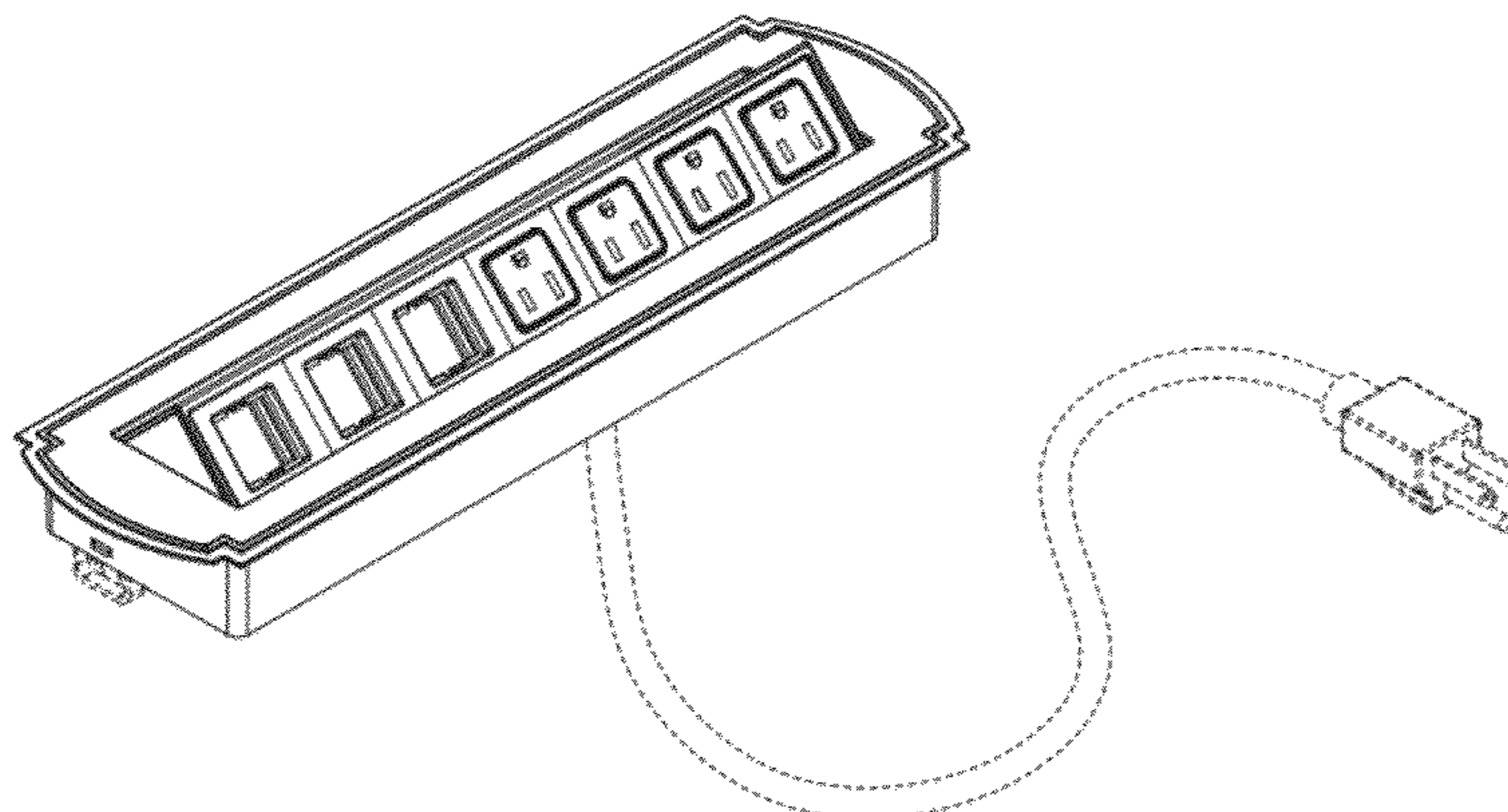
(57) **CLAIM**

I claim, the ornamental power and data center, as shown and described.

DESCRIPTION

FIG. 1 is a rearview of my power and data center in accordance with my invention;
 FIG. 2 is a top plan view thereof;
 FIG. 3 is a left-side elevation view thereof;
 FIG. 4 is a front elevation view thereof;
 FIG. 5 is a right-side view thereof;
 FIG. 6 is an underside view thereof;
 FIG. 7 is a perspective view thereof, showing my power and data center in open configuration; and,
 FIG. 8 is a further perspective view thereof, showing my power and data center in a closed configuration.
 The broken lines shown in the drawings represent portions of the power and data center that form no part of the claimed design.

1 Claim, 2 Drawing Sheets



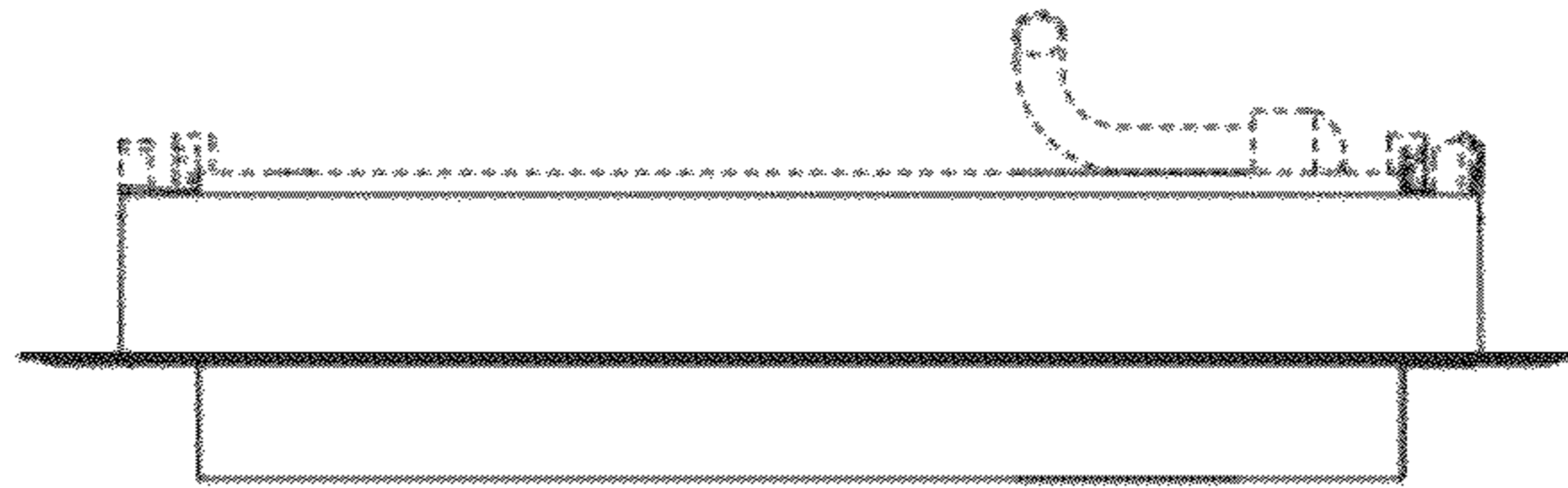


Fig. 1

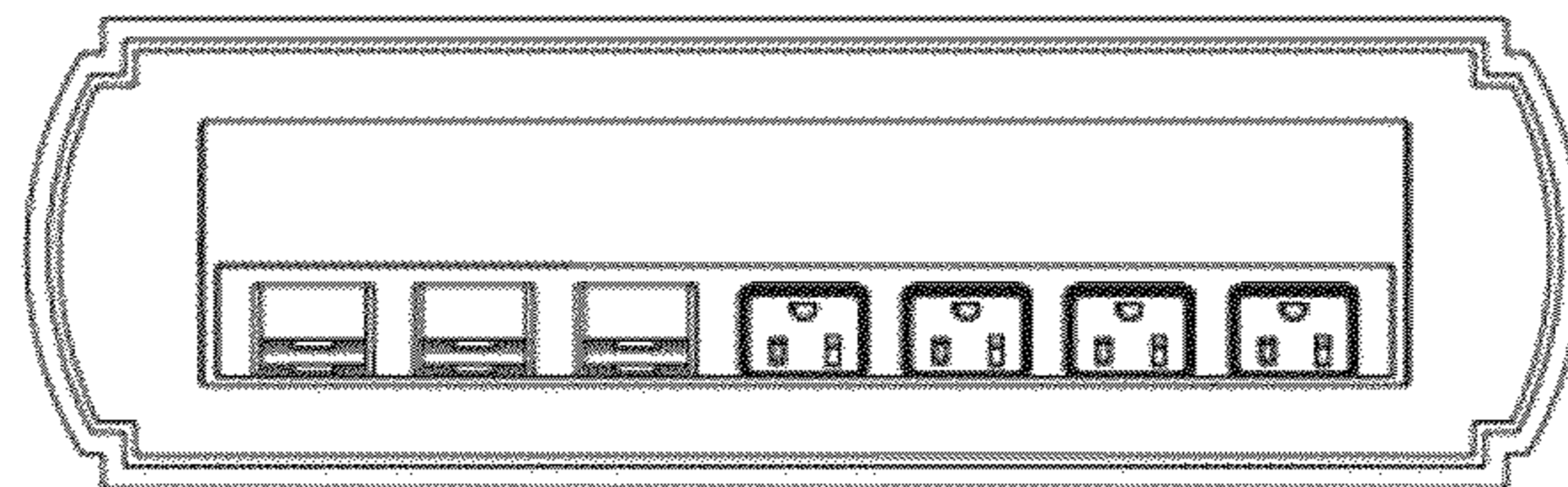


Fig. 2

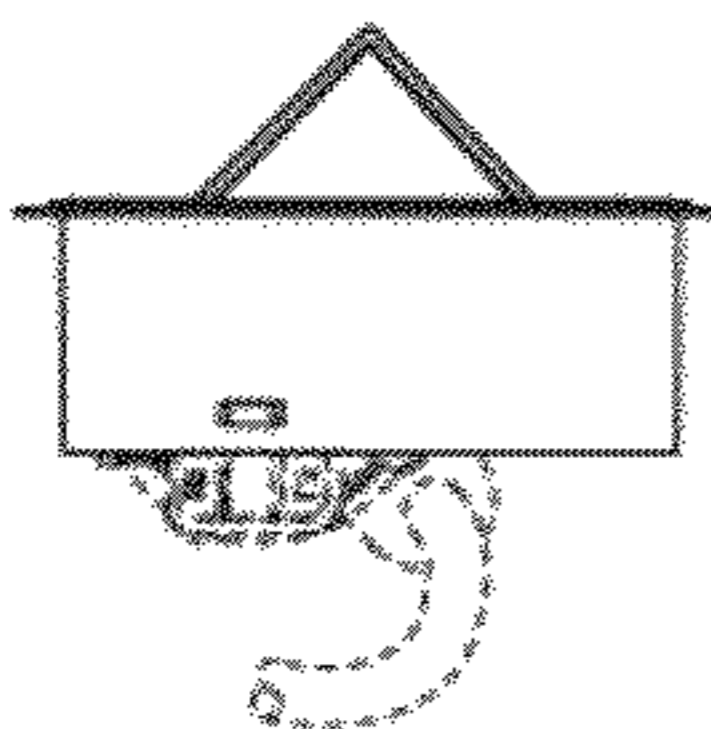


Fig. 3

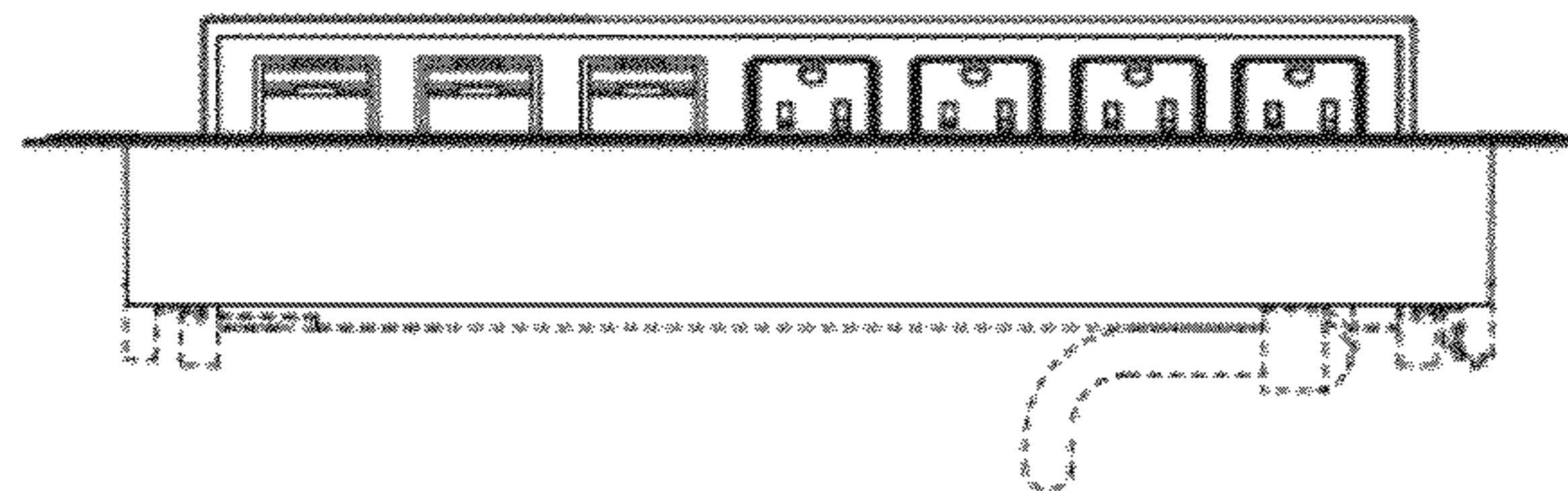


Fig. 4

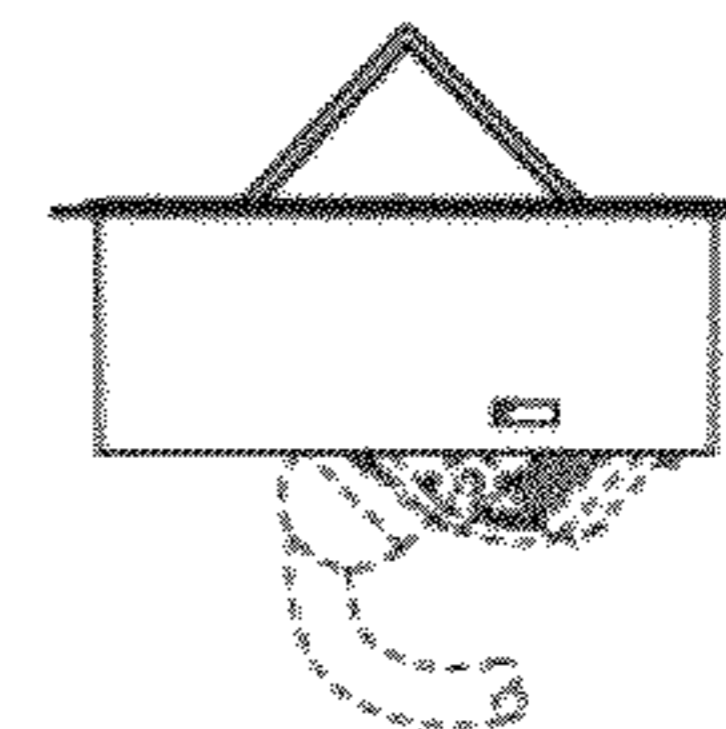


Fig. 5

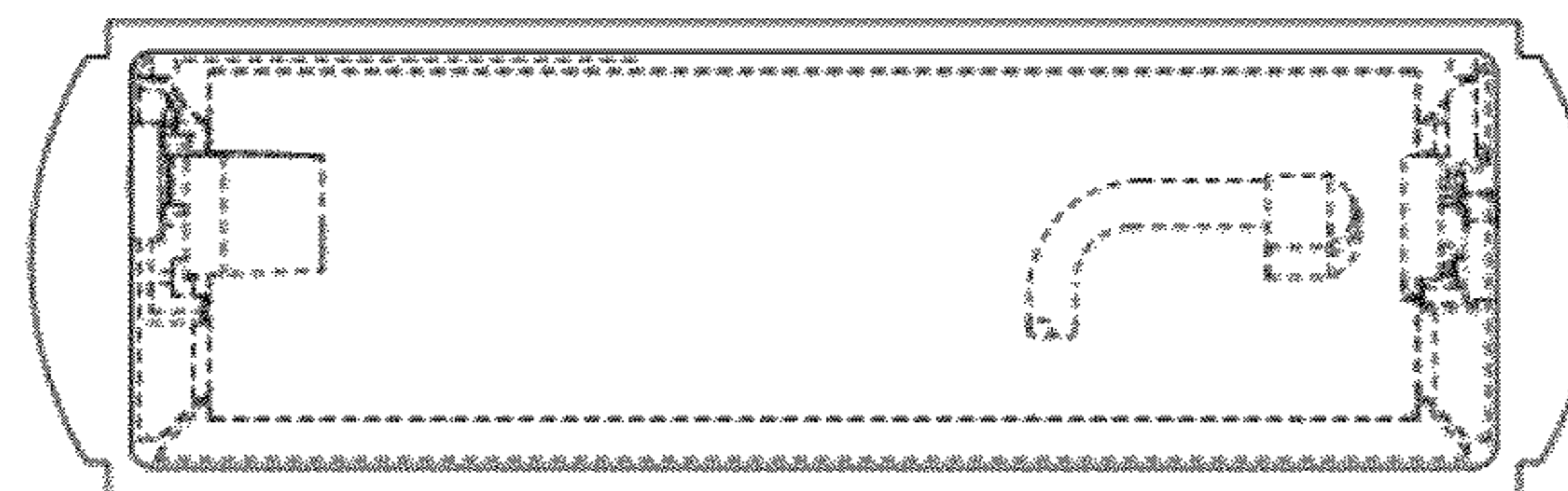


Fig. 6

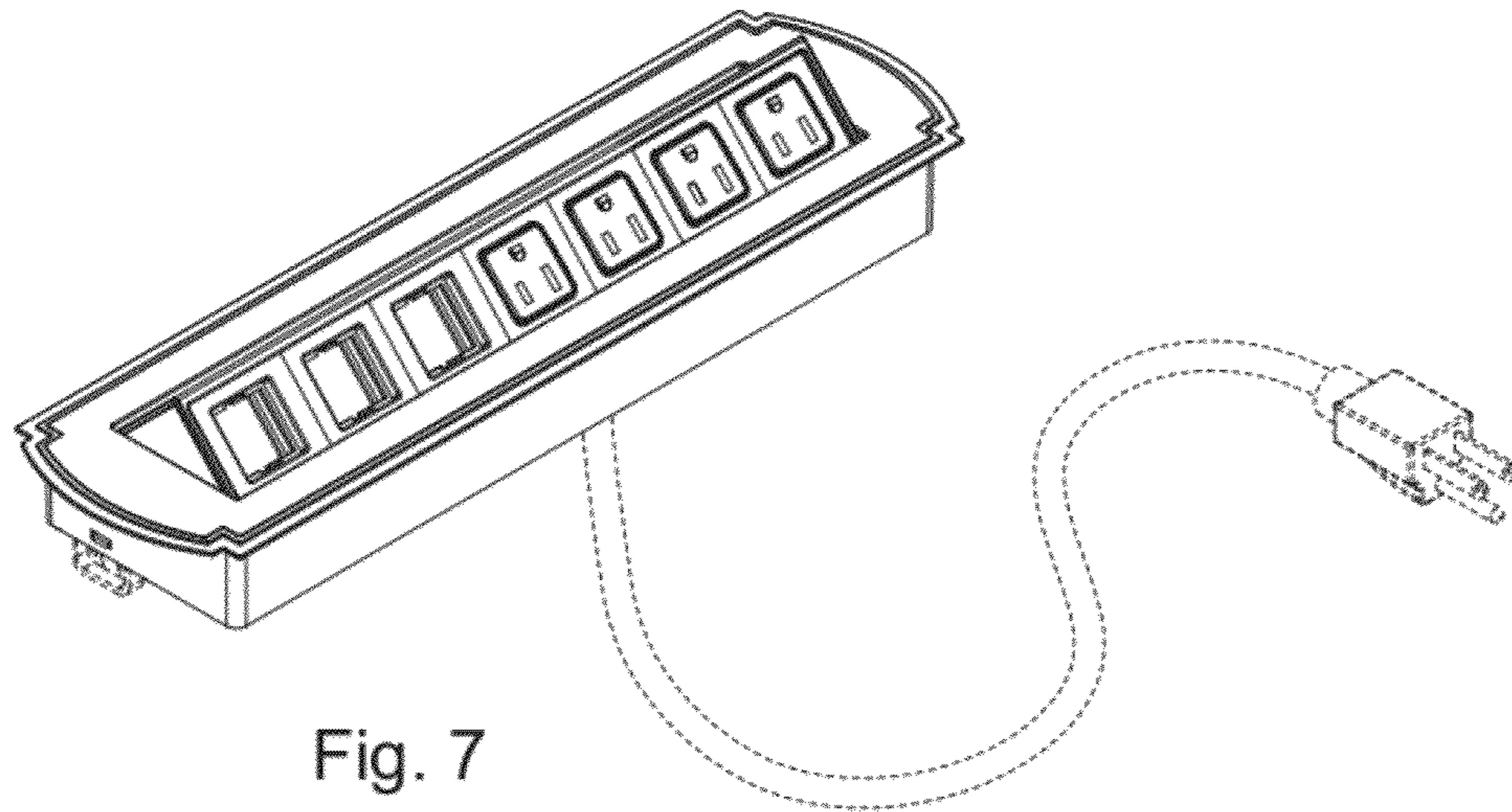


Fig. 7

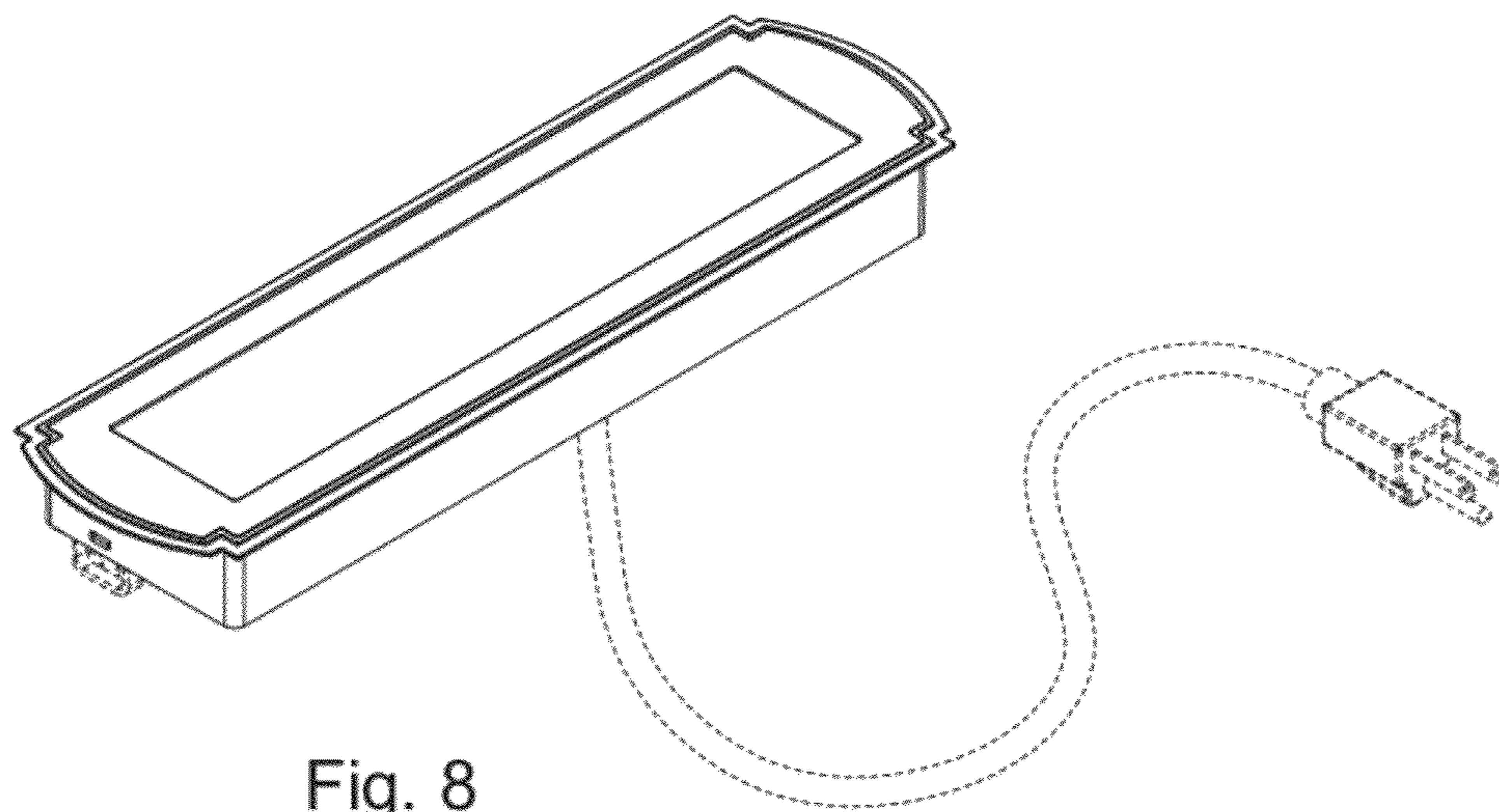


Fig. 8