

US00D666549S

(12) **United States Design Patent**  
**Gagnon et al.**

(10) **Patent No.:** **US D666,549 S**  
(45) **Date of Patent:** **\*\* Sep. 4, 2012**

(54) **ANCHOR BRACKET FOR VEHICLE INTERIOR SUPPORT SYSTEM**

(75) Inventors: **Mario Gagnon**, Ste-Adele (CA); **Ivan Brousseau**, Montreal (CA); **Thomas Rouayroux**, Montreal (CA)

(73) Assignee: **Nova Bus, a division of Volvo Group Canada Inc.**, Saint-Eustache (CA)

(\*\*) Term: **14 Years**

(21) Appl. No.: **29/383,775**

(22) Filed: **Jan. 21, 2011**

(51) **LOC (9) Cl.** ..... **12-06**

(52) **U.S. Cl.** ..... **D12/223**

(58) **Field of Classification Search** ..... D8/354,  
D8/349, 382; D12/223, 415, 420; 248/200,  
248/300, 205.1

See application file for complete search history.

(56) **References Cited**

**U.S. PATENT DOCUMENTS**

3,322,387	A *	5/1967	Fortin, Sr.	.....	248/235
D373,068	S *	8/1996	Airey	.....	D8/349
D392,533	S *	3/1998	King, Jr.	.....	D8/71
D392,865	S *	3/1998	King, Jr.	.....	D8/71
D428,848	S *	8/2000	Wurst	.....	D12/407

D473,123	S *	4/2003	Anderson	.....	D8/354
D572,119	S *	7/2008	Wells et al.	.....	D8/354
D601,936	S *	10/2009	Mirabal	.....	D12/223
D623,576	S *	9/2010	Lemieux	.....	D12/223

\* cited by examiner

*Primary Examiner* — Sheryl Lane

(74) *Attorney, Agent, or Firm* — Norton Rose Canada LLP

(57) **CLAIM**

The ornamental design for an anchor bracket for vehicle interior support system, as shown and described.

**DESCRIPTION**

FIG. 1 is a perspective view of the anchor bracket for vehicle interior support system;

FIG. 2 is a first side view of the anchor bracket for vehicle interior support of FIG. 1, the opposite side view being a mirror image thereof;

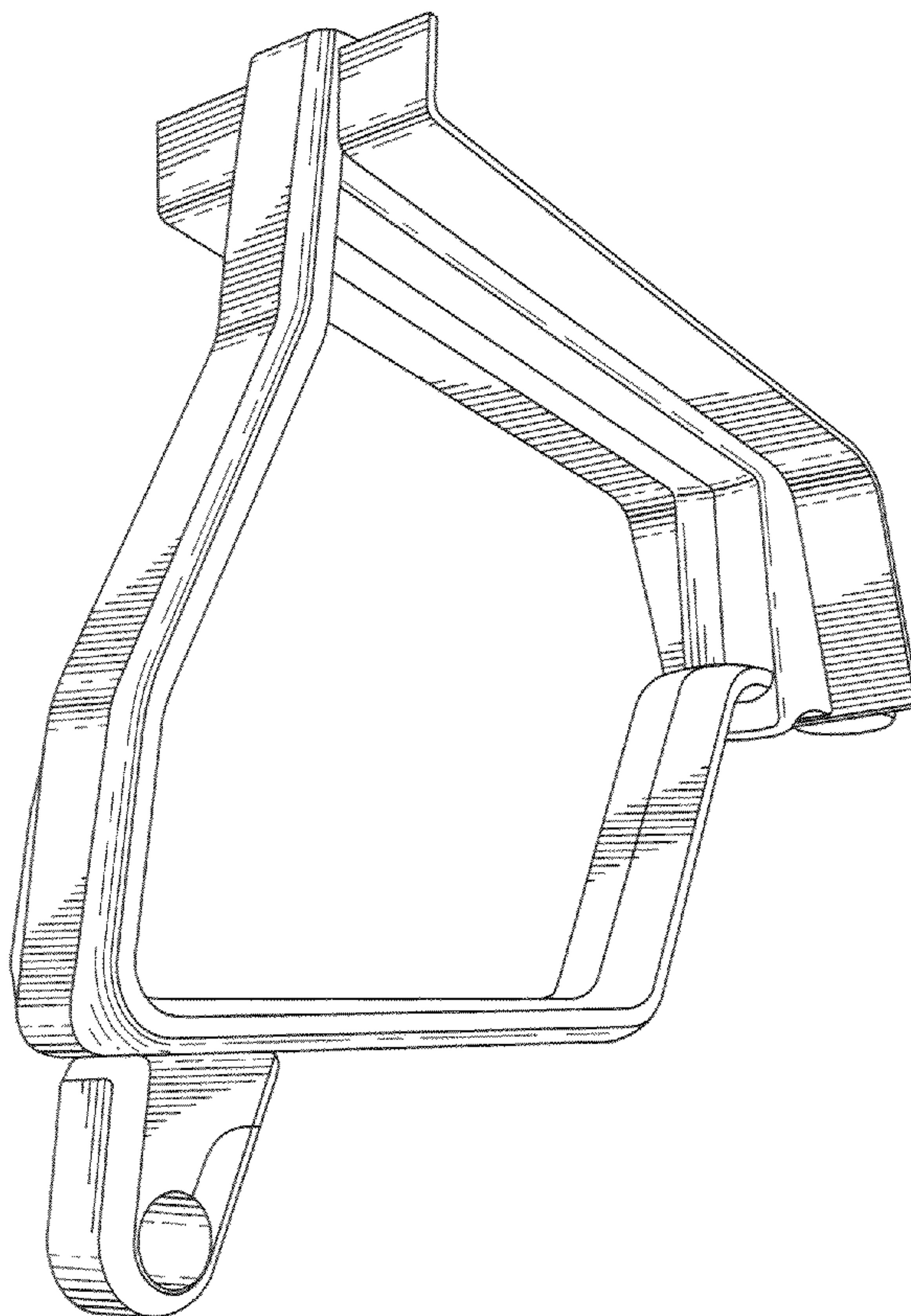
FIG. 3 is a front view the anchor bracket for vehicle interior support of FIG. 1;

FIG. 4 is a rear view of the anchor bracket for vehicle interior support of FIG. 1;

FIG. 5 is a bottom view of the anchor bracket for vehicle interior support of FIG. 1; and,

FIG. 6 is a top view of the anchor bracket for vehicle interior support of FIG. 1.

**1 Claim, 4 Drawing Sheets**



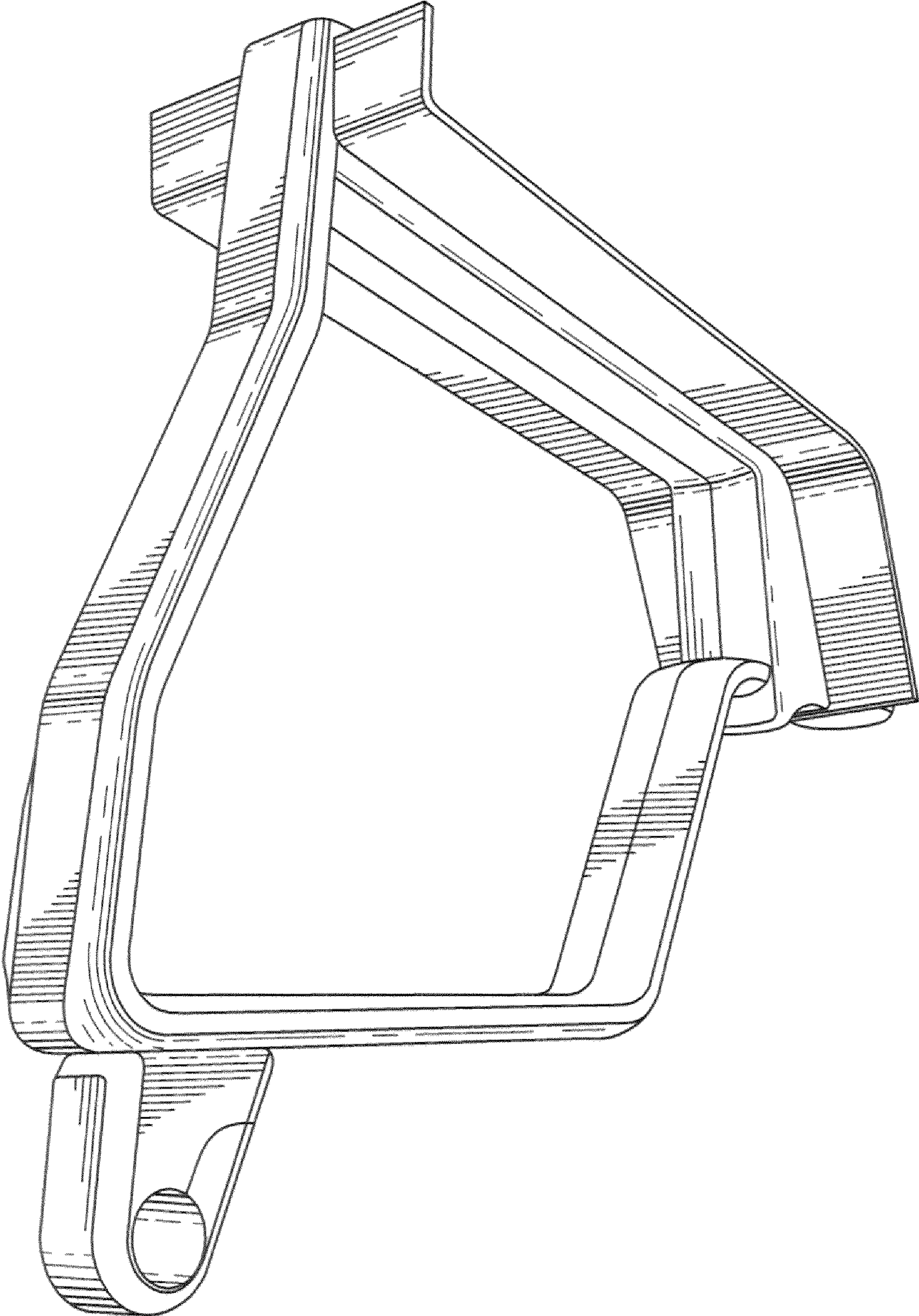


Fig-1



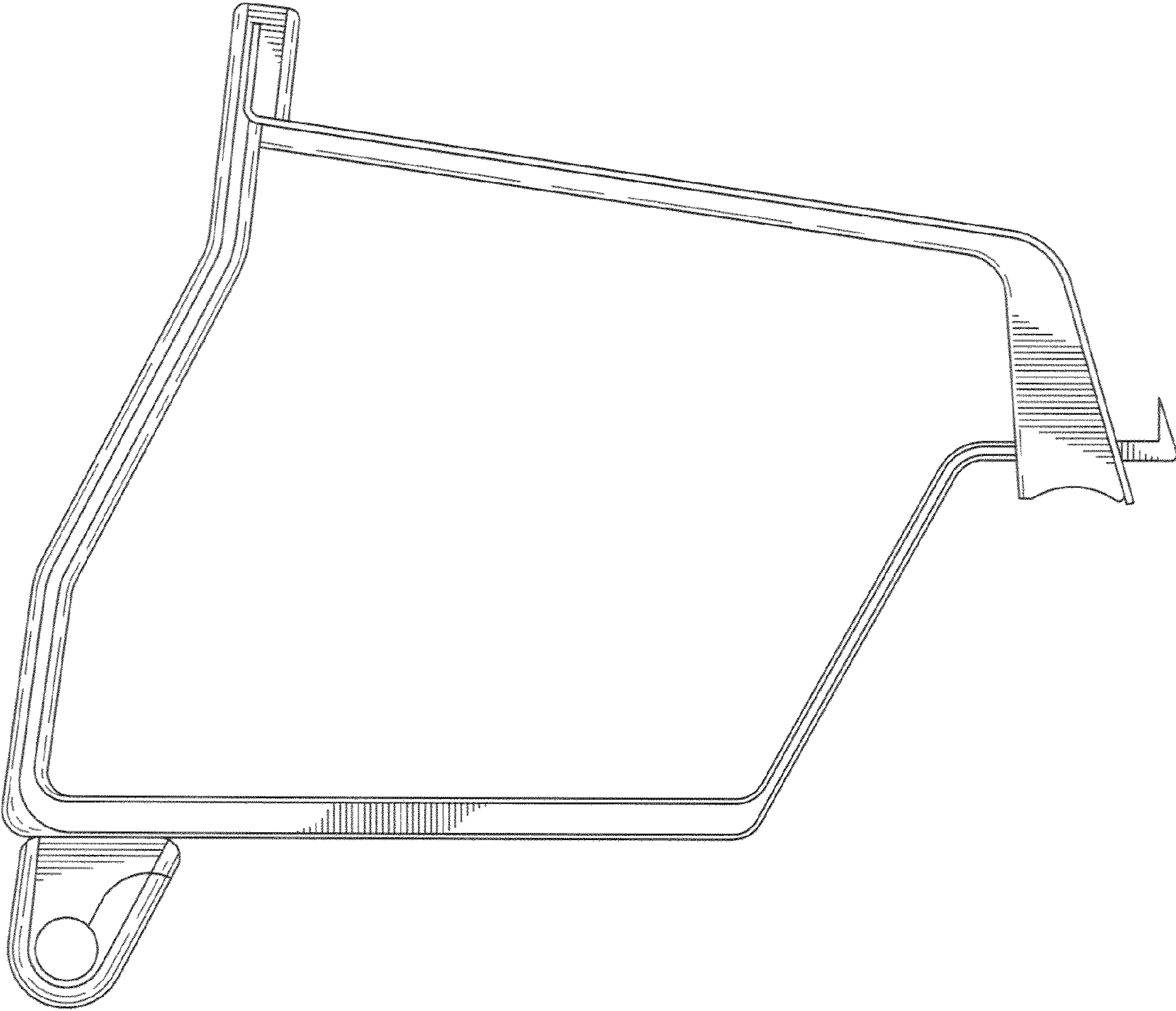
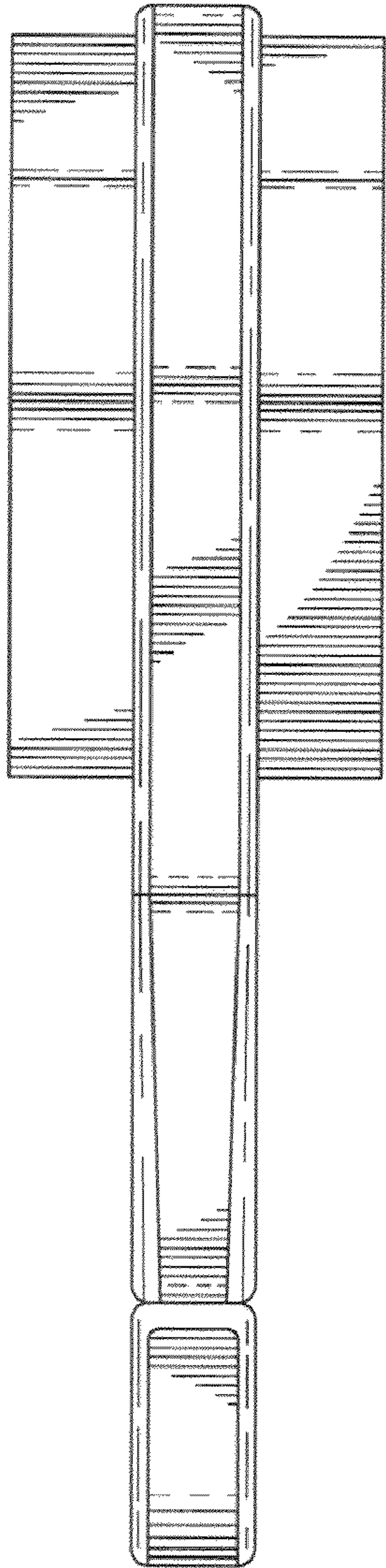
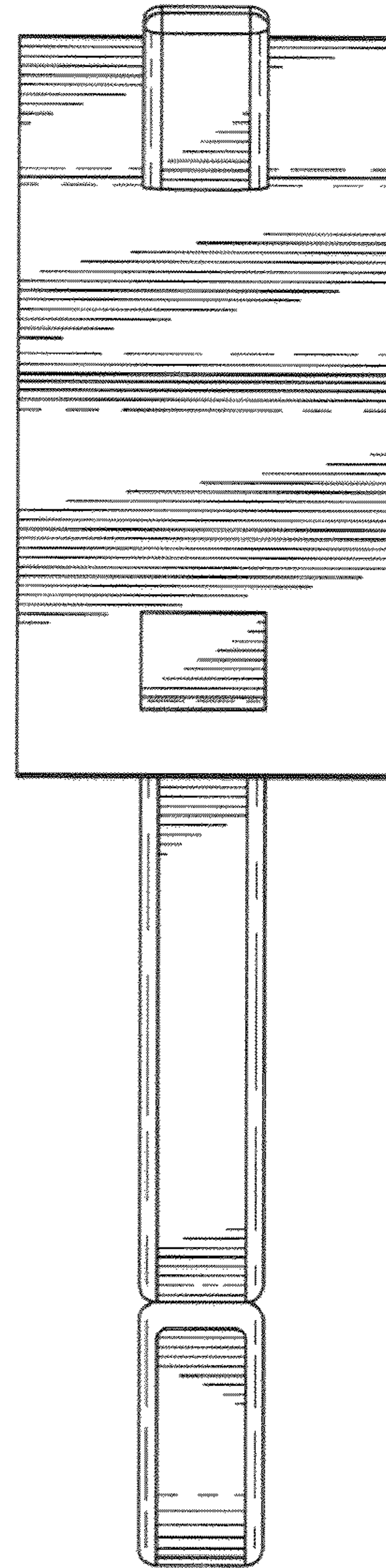


Fig. 2



*Fig-3*



*Fig-4*

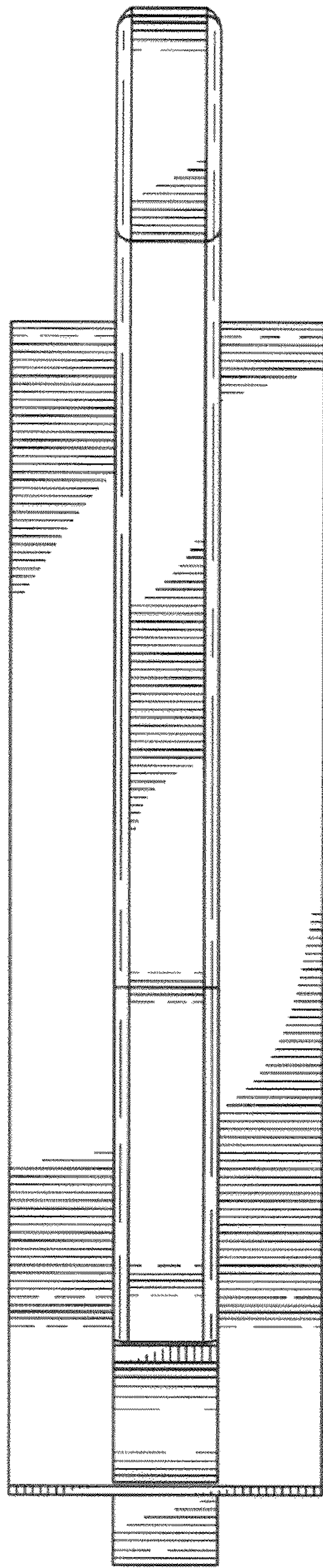


Fig-5

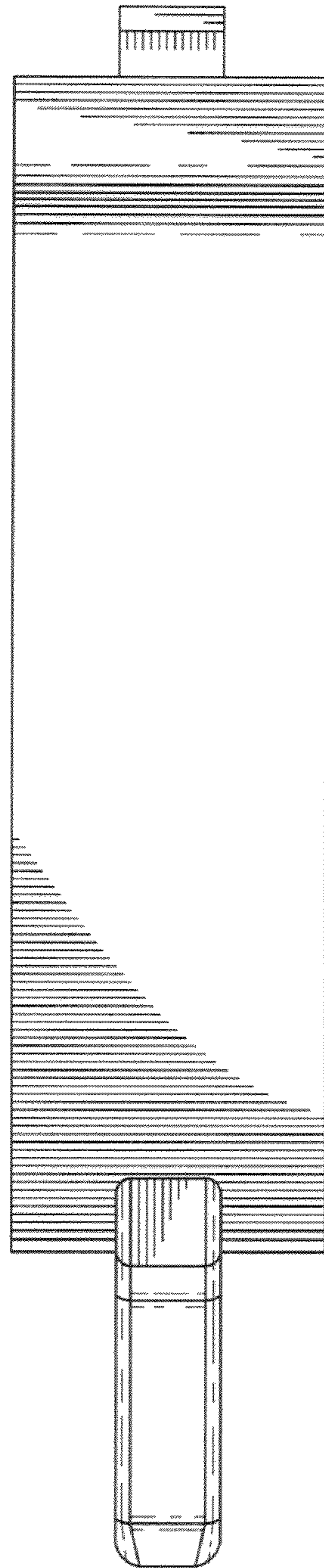


Fig-6