



US00D666548S

(12) **United States Design Patent**
Antoniadis et al.

(10) **Patent No.:** **US D666,548 S**

(45) **Date of Patent:** **** Sep. 4, 2012**

(54) **WHEEL OR WHEEL COVER**

(75) Inventors: **Apostolos Antoniadis**, Stuttgart (DE);
Klaus Frenzel, Stuttgart (DE);
Hans-Dieter Futschik, Stuttgart (DE);
Stefan Handt, Stuttgart (DE)

(73) Assignee: **Daimler AG**, Stuttgart (DE)

(**) Term: **14 Years**

(21) Appl. No.: **29/412,227**

(22) Filed: **Feb. 1, 2012**

(30) **Foreign Application Priority Data**

Aug. 2, 2011 (EM) 001899717-0001

(51) **LOC (9) Cl.** **12-16**

(52) **U.S. Cl.** **D12/211**

(58) **Field of Classification Search** D12/204-213;
301/37.101, 64.101, 65, 64.201
See application file for complete search history.

(56) **References Cited**

U.S. PATENT DOCUMENTS

D441,339 S * 5/2001 Hussaini et al. D12/211
D506,967 S * 7/2005 Kamimura D12/211

D593,020 S * 5/2009 Blasi D12/211
D617,250 S * 6/2010 Zhao D12/211
D626,489 S * 11/2010 Laengerer D12/211
D632,240 S * 2/2011 Szews D12/211
D634,692 S * 3/2011 Stefanov D12/211
D638,765 S * 5/2011 Yoon D12/211
D655,235 S * 3/2012 Zhao D12/211
D657,728 S * 4/2012 Johnson D12/211

* cited by examiner

Primary Examiner — Stacia Cadmus

(74) *Attorney, Agent, or Firm* — Crowell & Moring LLP

(57) **CLAIM**

The ornamental design for a wheel or wheel cover, as shown and described.

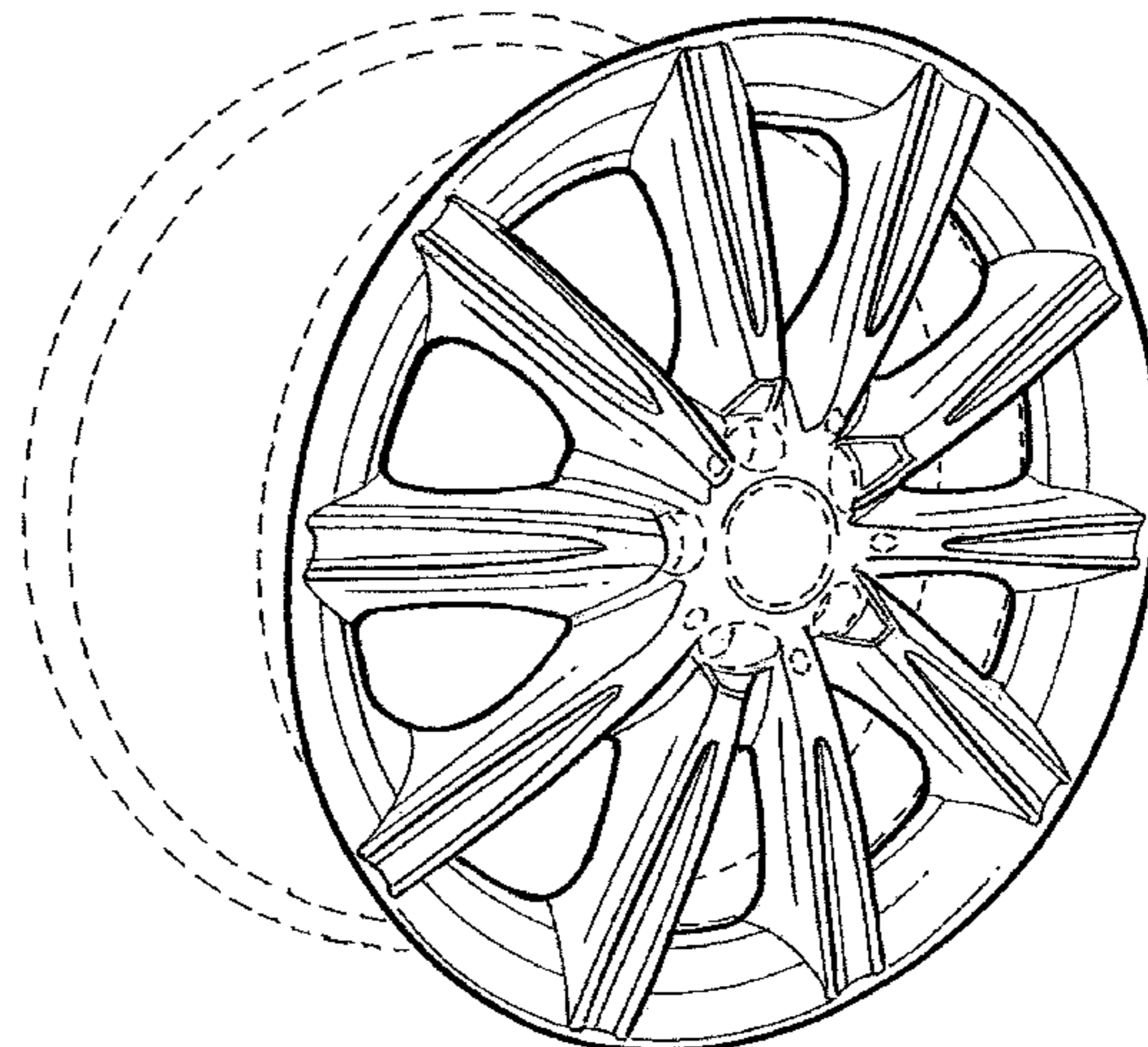
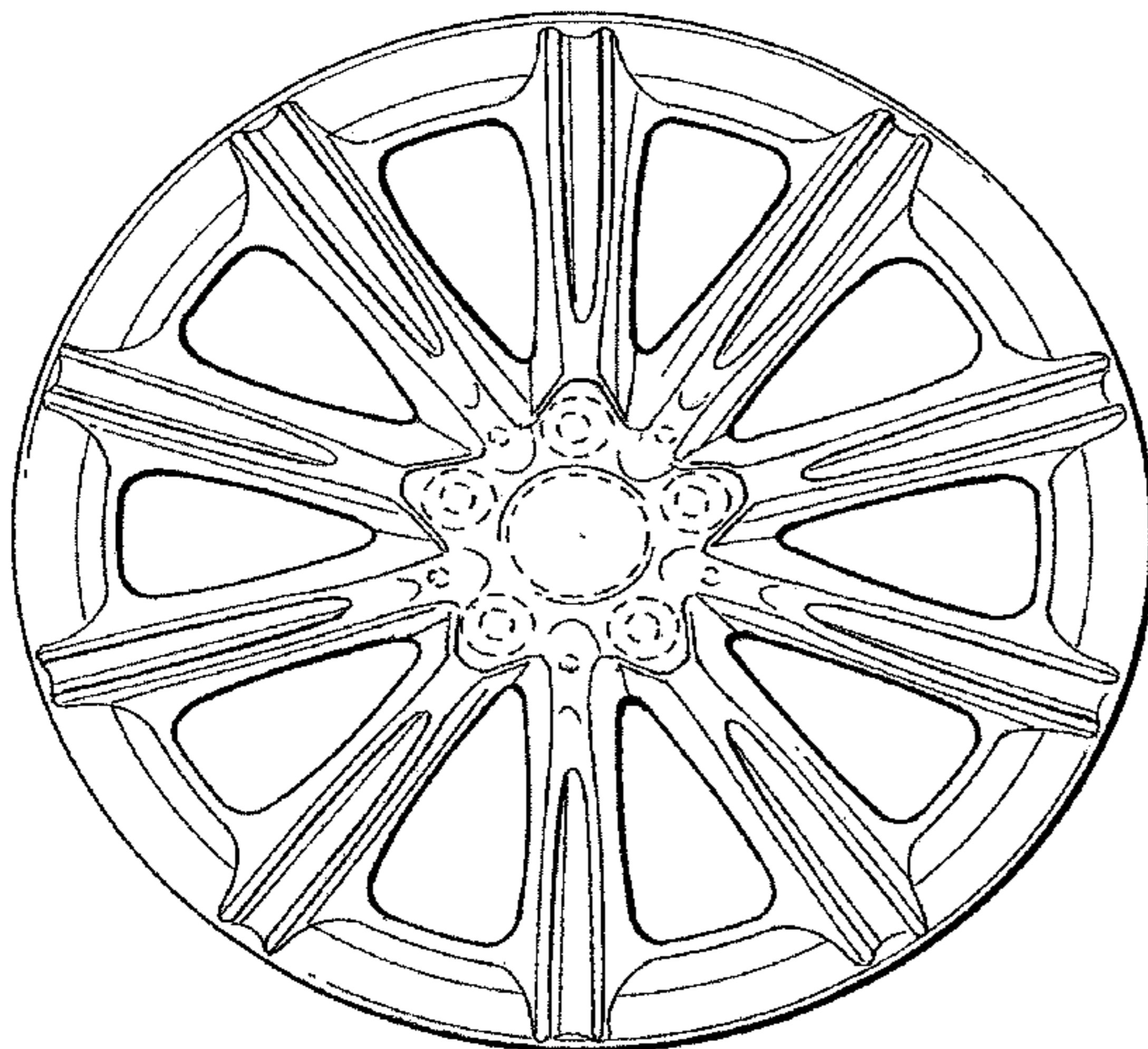
DESCRIPTION

FIG. 1 is a front view of a wheel or wheel cover according to our design; and,

FIG. 2 is a perspective view thereof.

The broken line showing of the rear of the wheel and the bolt holes and center cap in the central hub area is included for the purpose of illustrating environment and forms no part of the claimed design.

1 Claim, 1 Drawing Sheet



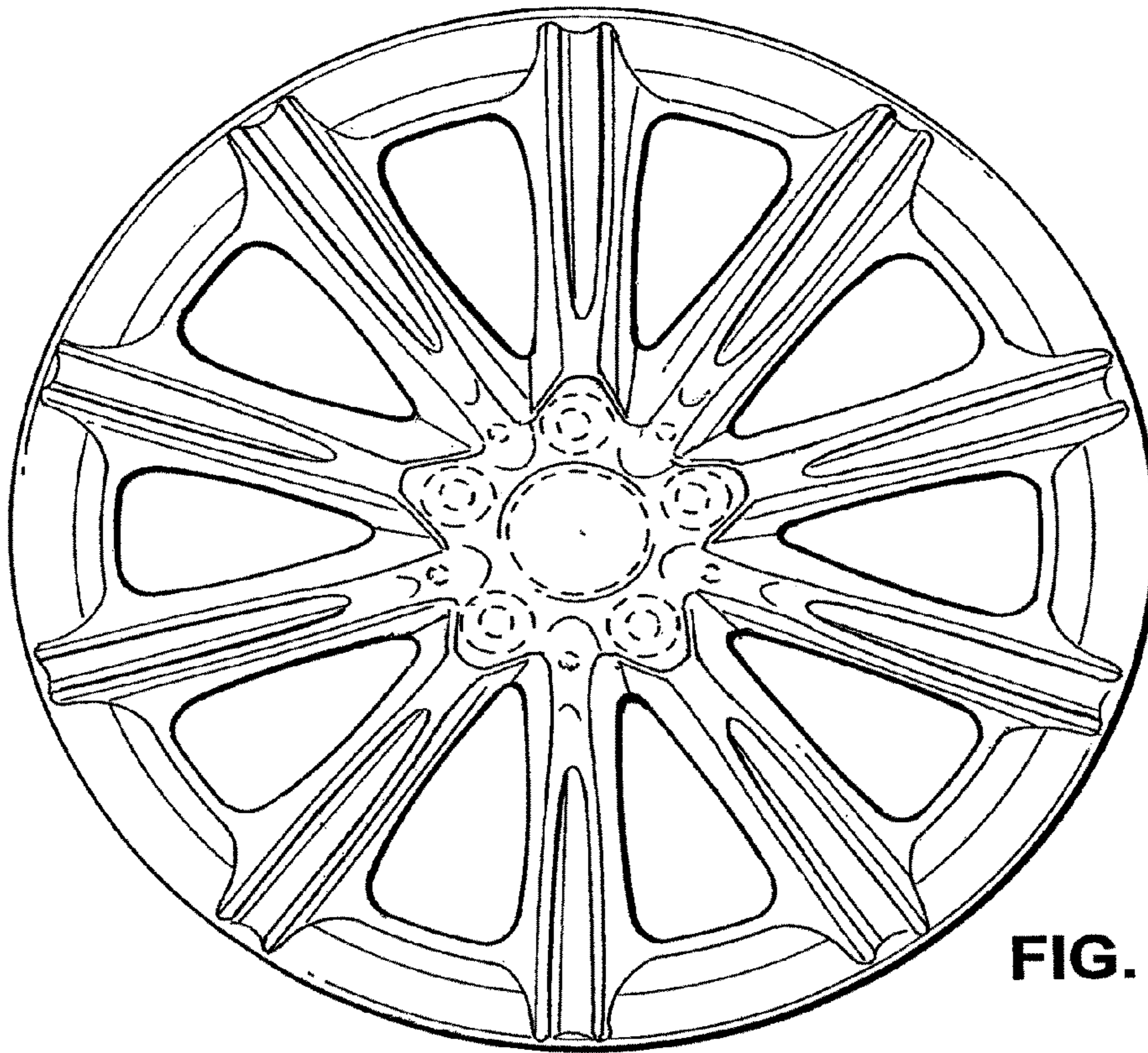


FIG. 1

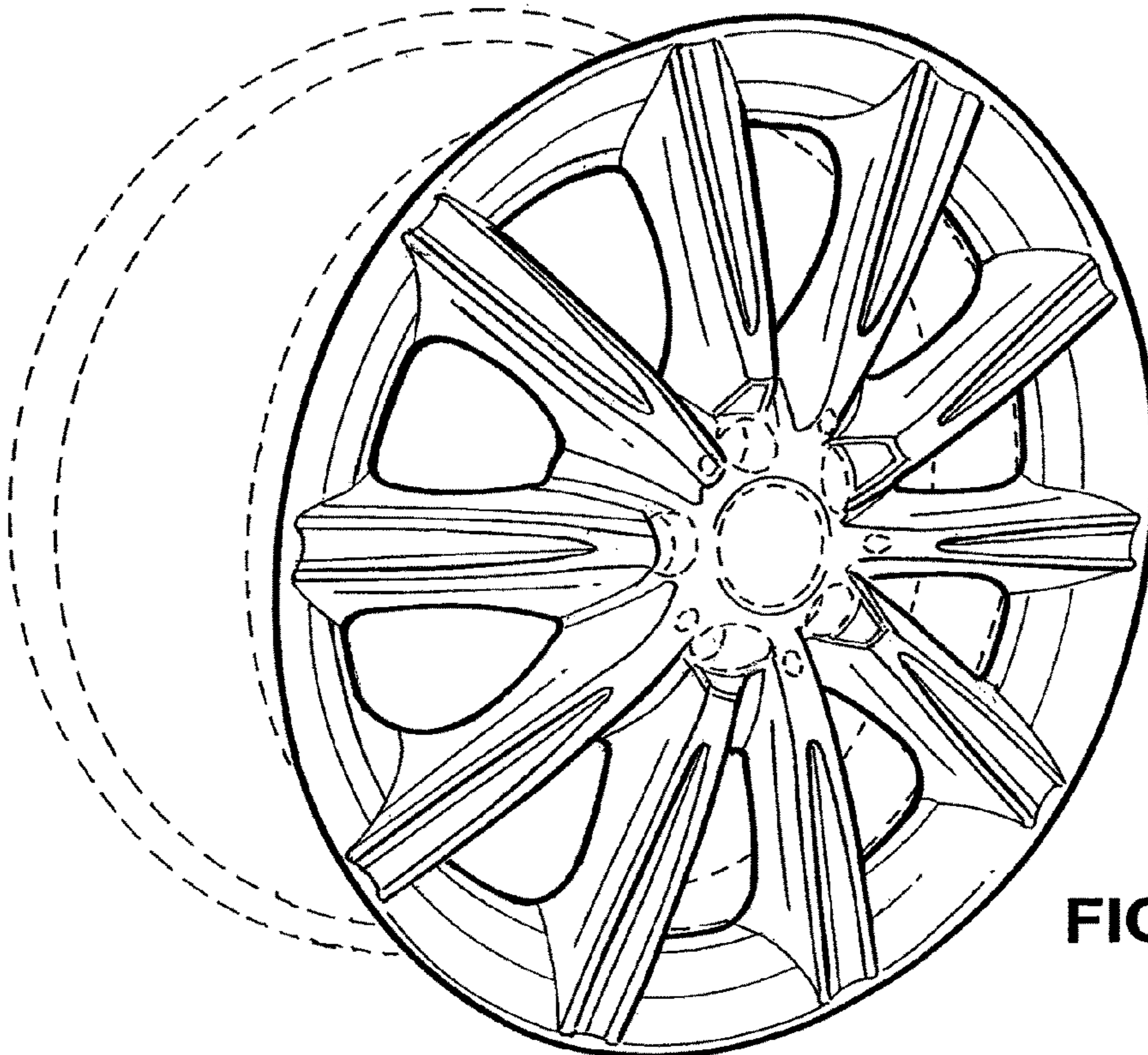


FIG. 2