



US00D666546S

(12) **United States Design Patent**
Juergens et al.

(10) **Patent No.:** **US D666,546 S**
(45) **Date of Patent:** **** Sep. 4, 2012**

(54) **WHEEL OR WHEEL COVER**
(75) Inventors: **Dirk Juergens**, Munich (DE); **Rainer Mueller**, Munich (DE)
(73) Assignee: **Bayerische Motoren Werke Aktiengesellschaft**, Munich (DE)
(**) Term: **14 Years**

D527,325 S *	8/2006	Nagashima	D12/209
D541,204 S *	4/2007	Huet	D12/211
D551,150 S *	9/2007	Hueller	D12/211
D560,152 S	1/2008	Nordmann	
D586,281 S *	2/2009	Pfeiffer	D12/209
D586,282 S *	2/2009	Pfeiffer	D12/209
D589,423 S *	3/2009	Juergens et al.	D12/209
D589,426 S *	3/2009	Yoon	D12/211
D620,868 S *	8/2010	Gallert	D12/211
D641,301 S *	7/2011	Hilpert	D12/211

(21) Appl. No.: **29/371,119**
(22) Filed: **Oct. 27, 2010**

FOREIGN PATENT DOCUMENTS

DE	M9701285.8	6/1997
DE	40106965.6	1/2002
EM	000106513-0002	12/2004
EM	000440813-0006	1/2006
EM	000511639-0005	6/2006
EM	000609458-0001	4/2008

(30) **Foreign Application Priority Data**
Apr. 28, 2010 (DE) 402010002511
(51) **LOC (9) Cl.** **12-16**
(52) **U.S. Cl.** **D12/209**
(58) **Field of Classification Search** D12/204-213;
301/37.101, 64.101, 65, 64.201
See application file for complete search history.

* cited by examiner

Primary Examiner — Stacia Cadmus
(74) *Attorney, Agent, or Firm* — Crowell & Moring LLP

(56) **References Cited**

U.S. PATENT DOCUMENTS

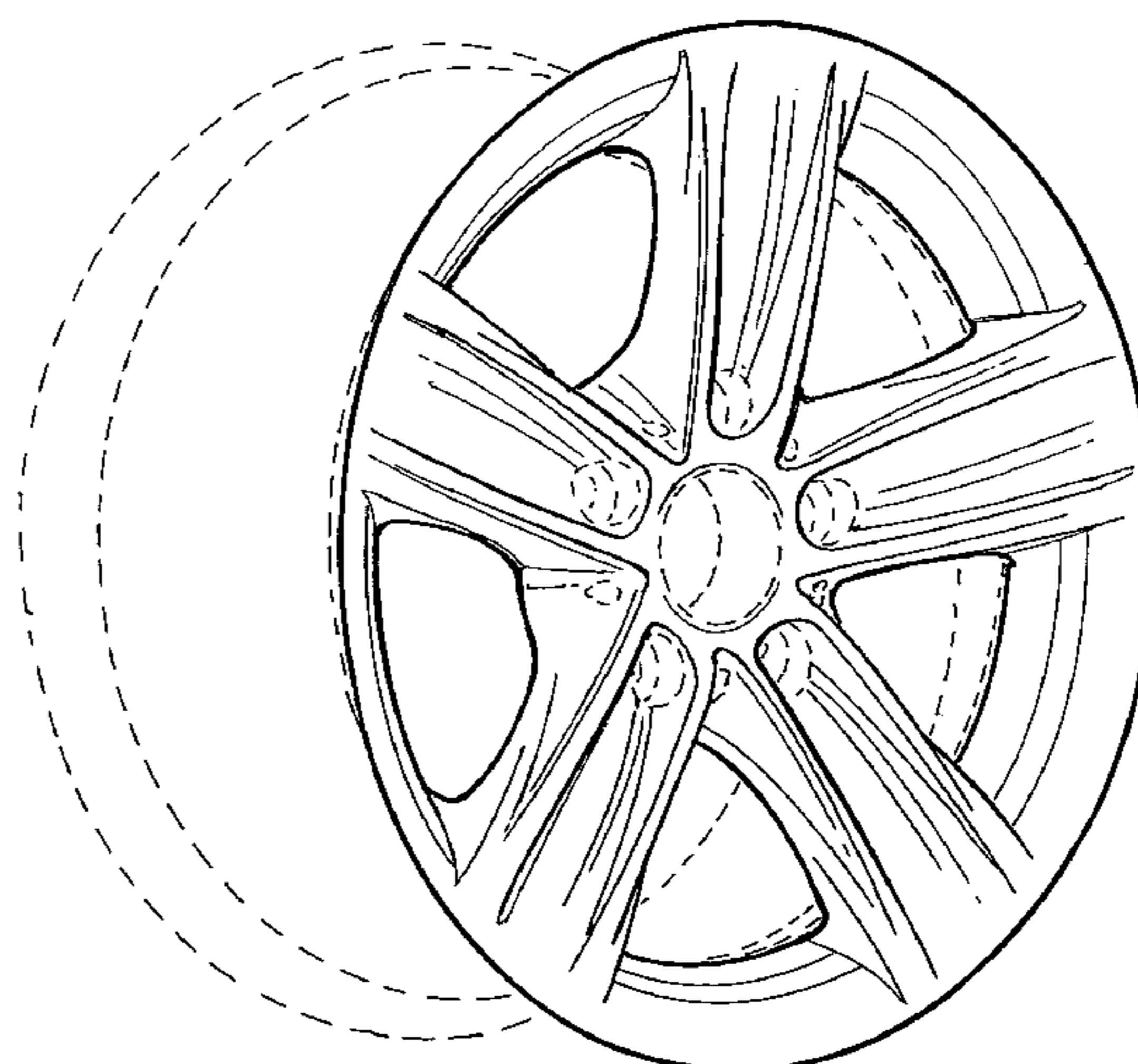
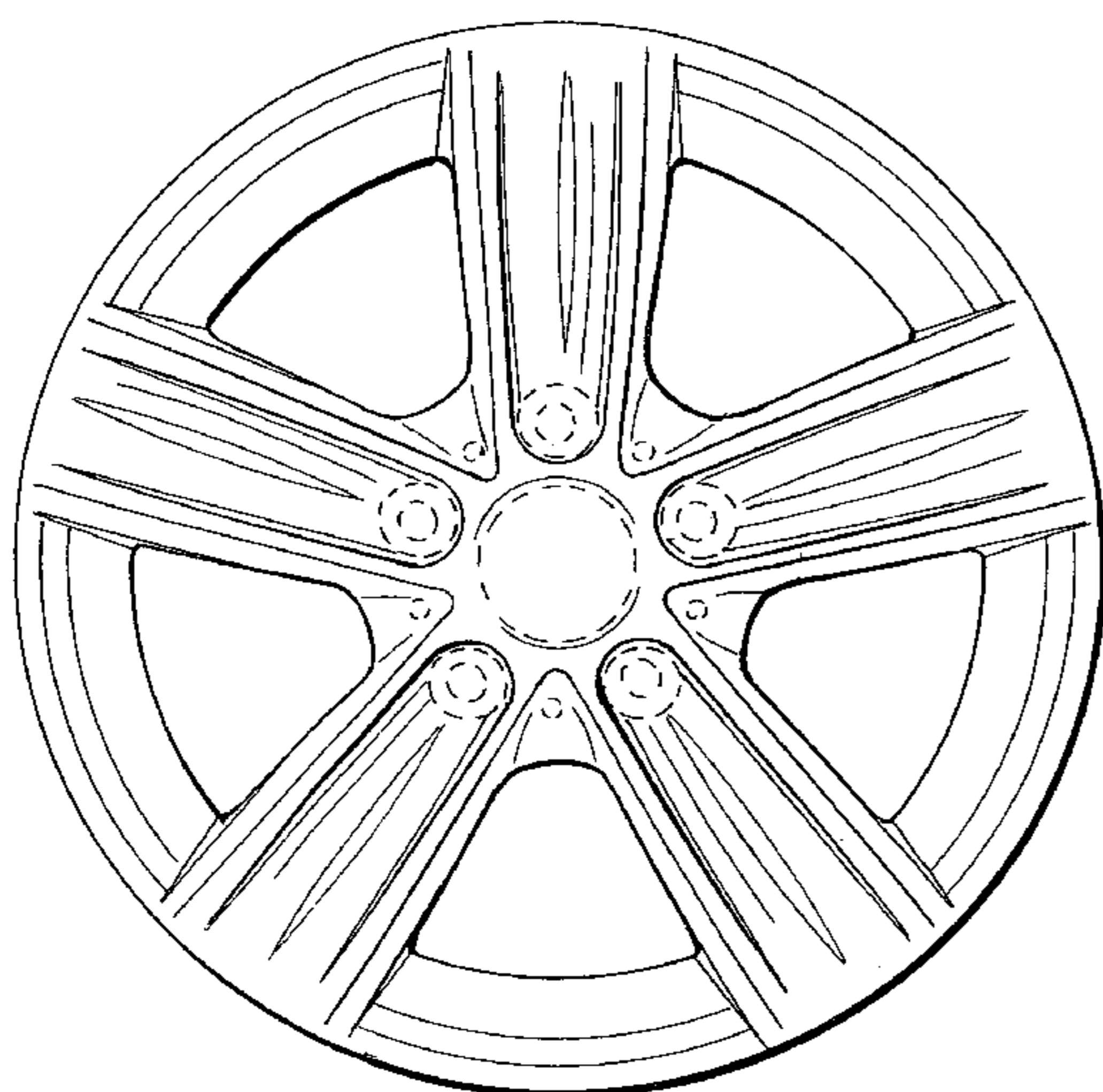
D407,057 S	3/1999	Goplen	
D436,912 S *	1/2001	Boyer	D12/211
D453,133 S *	1/2002	Murkett et al.	D12/209
D462,643 S *	9/2002	Murkett et al.	D12/211
D466,459 S *	12/2002	Murkett et al.	D12/209
D486,110 S	2/2004	Elmitt	
D486,113 S *	2/2004	Lecher et al.	D12/211
D500,470 S *	1/2005	Rice	D12/211
D505,903 S	6/2005	Nordmann	
D521,921 S *	5/2006	Hueller	D12/209

(57) **CLAIM**
The ornamental design for a wheel or wheel cover, as shown and described.

DESCRIPTION

FIG. 1 is a front view of a wheel or wheel cover according to our design; and,
FIG. 2 is a perspective view thereof.
The broken line showing of the rear of the wheel and the bolt holes and center opening in the central hub area is included for the purpose of illustrating environment and forms no part of the claimed design.

1 Claim, 1 Drawing Sheet



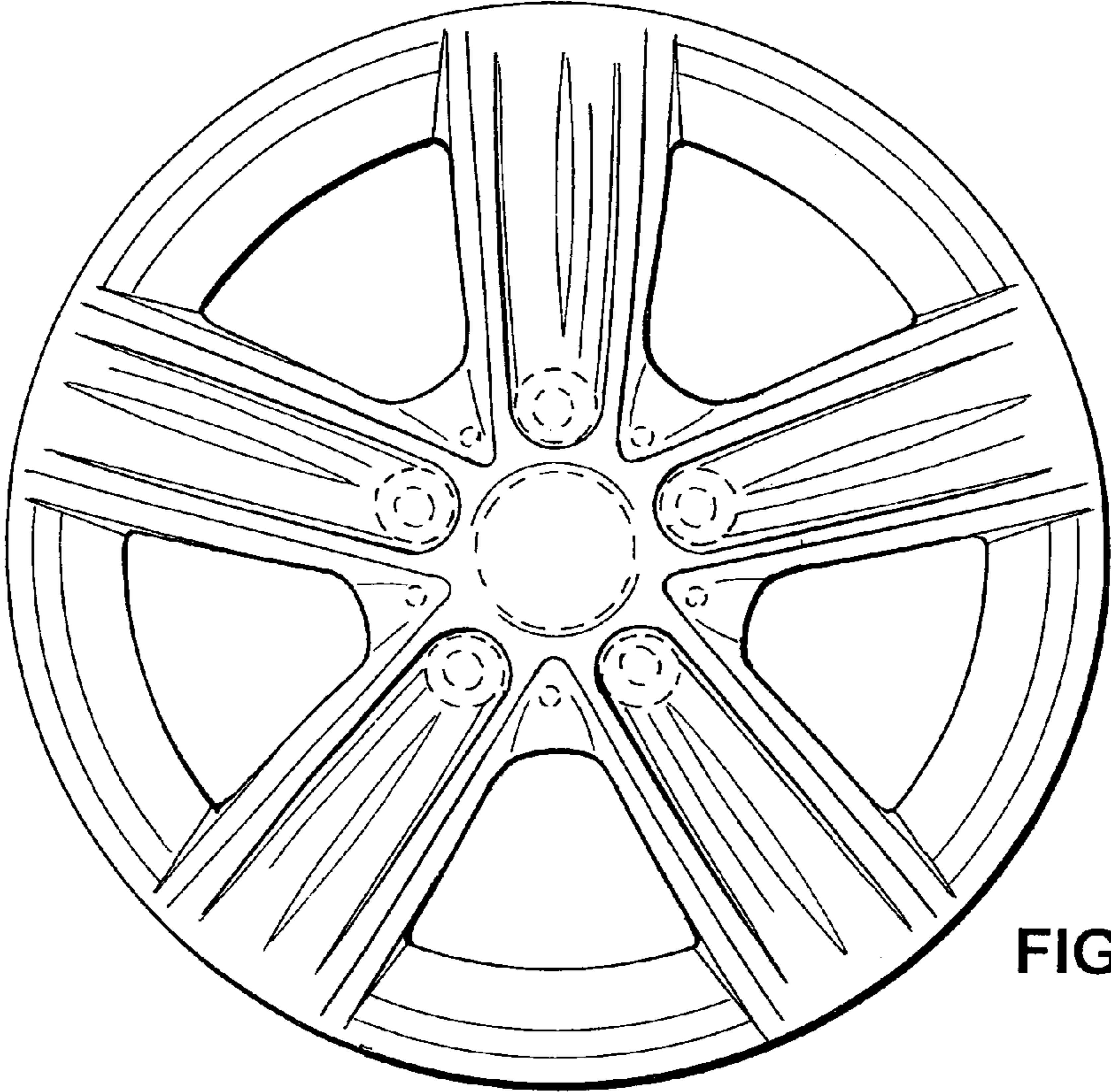


FIG. 1

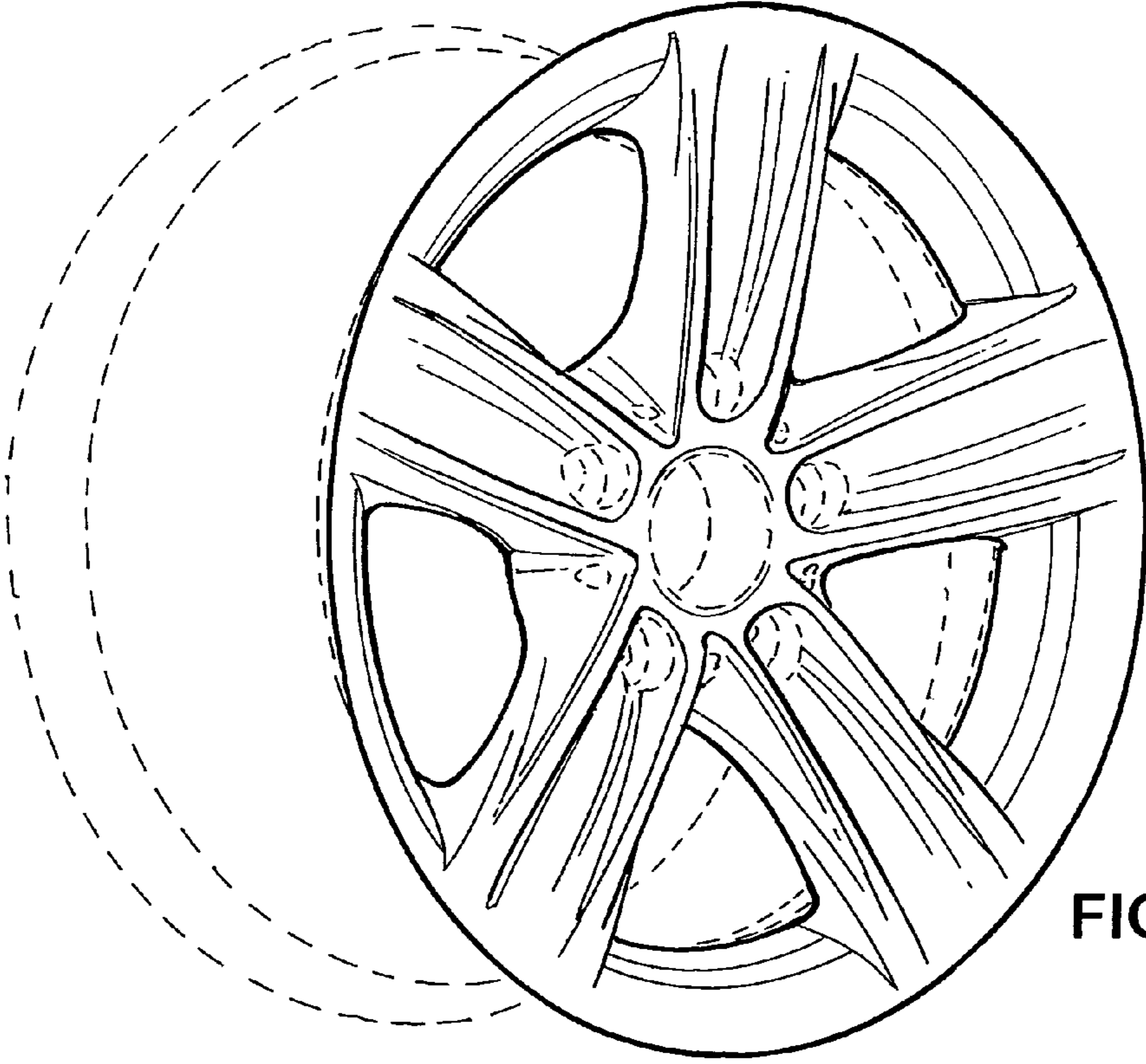


FIG. 2