



US00D666543S

(12) **United States Design Patent**  
**Lai**

(10) **Patent No.:** **US D666,543 S**  
(45) **Date of Patent:** **\*\* Sep. 4, 2012**

(54) **DUAL EXHAUST PIPE SET**

*Primary Examiner* — Michael Pratt

(76) Inventor: **Jhen-Yang Lai**, Dacun Township,  
Changhua County (TW)

(\*\*) Term: **14 Years**

(21) Appl. No.: **29/386,600**

(22) Filed: **Mar. 2, 2011**

(51) **LOC (9) Cl.** ..... **12-16**

(52) **U.S. Cl.** ..... **D12/194**

(58) **Field of Classification Search** ..... D12/194;  
D15/5; 293/113; 29/890.08; 180/89.2, 296,  
180/309; 181/247-249, 264, 282, 239-241,  
181/227, 228; 138/44, 37-39, 103, 109;  
60/303, 313, 323

See application file for complete search history.

(56) **References Cited**

**U.S. PATENT DOCUMENTS**

D182,135 S *	2/1958	Maynard et al.	.....	D12/194
D214,037 S *	5/1969	Flugger	.....	D12/194
D435,498 S *	12/2000	Bassani	.....	D12/194
6,463,641 B2 *	10/2002	Bassani	.....	29/890.08
6,662,900 B2 *	12/2003	Cathcart et al.	.....	181/240

\* cited by examiner

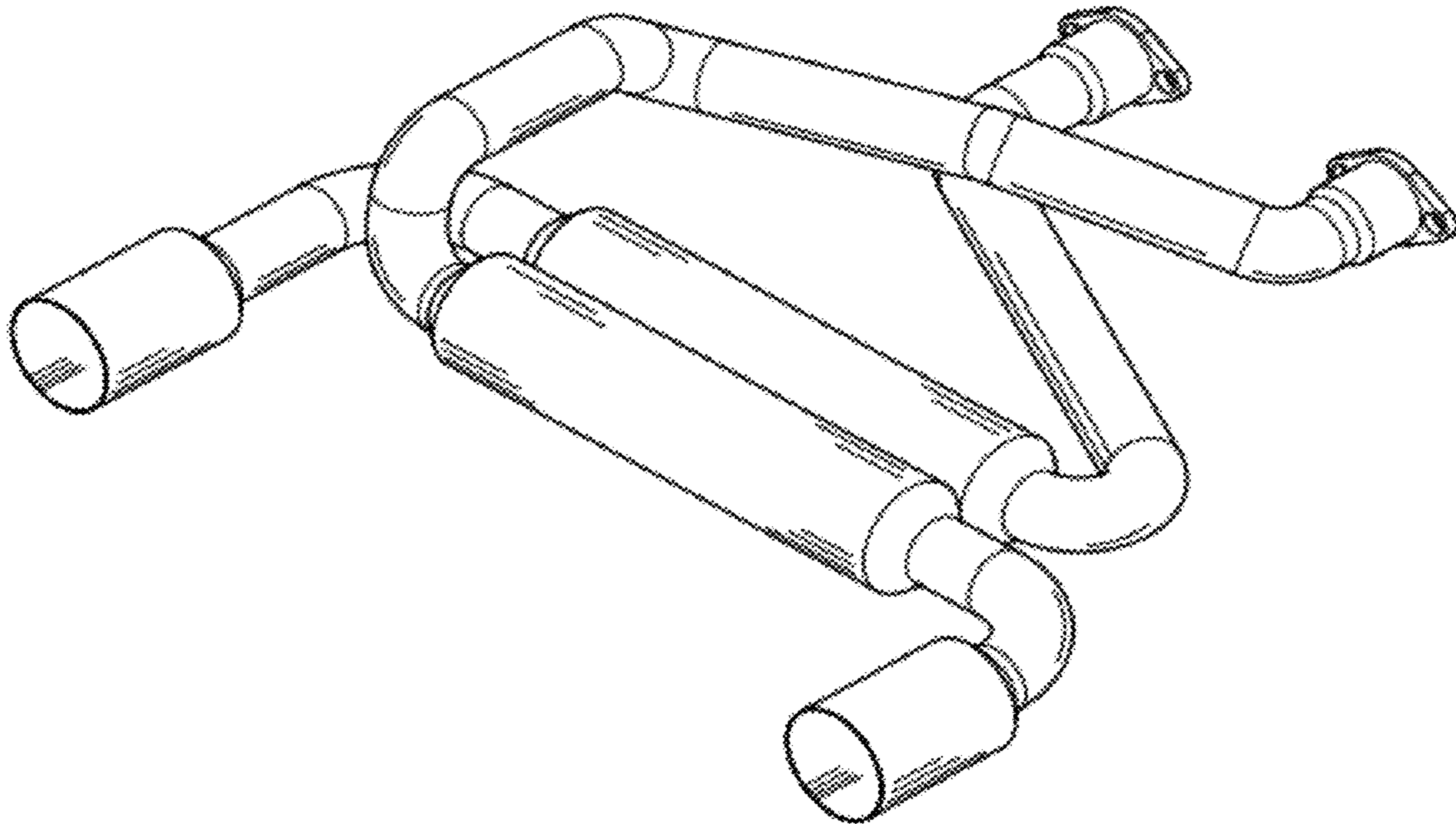
(57) **CLAIM**

The ornamental design for a dual exhaust pipe set, as shown and described.

**DESCRIPTION**

FIG. 1 is an upper perspective view of a dual exhaust pipe set showing my new design;  
FIG. 2 is a front view of the dual exhaust pipe set shown in FIG. 1;  
FIG. 3 is a rear view of the dual exhaust pipe set shown in FIG. 1;  
FIG. 4 is a left side view of the dual exhaust pipe set shown in FIG. 1;  
FIG. 5 is a right side view of the dual exhaust pipe set shown in FIG. 1;  
FIG. 6 is a top view of the dual exhaust pipe set shown in FIG. 1; and,  
FIG. 7 is a bottom view of the dual exhaust pipe set shown in FIG. 1.

**1 Claim, 4 Drawing Sheets**



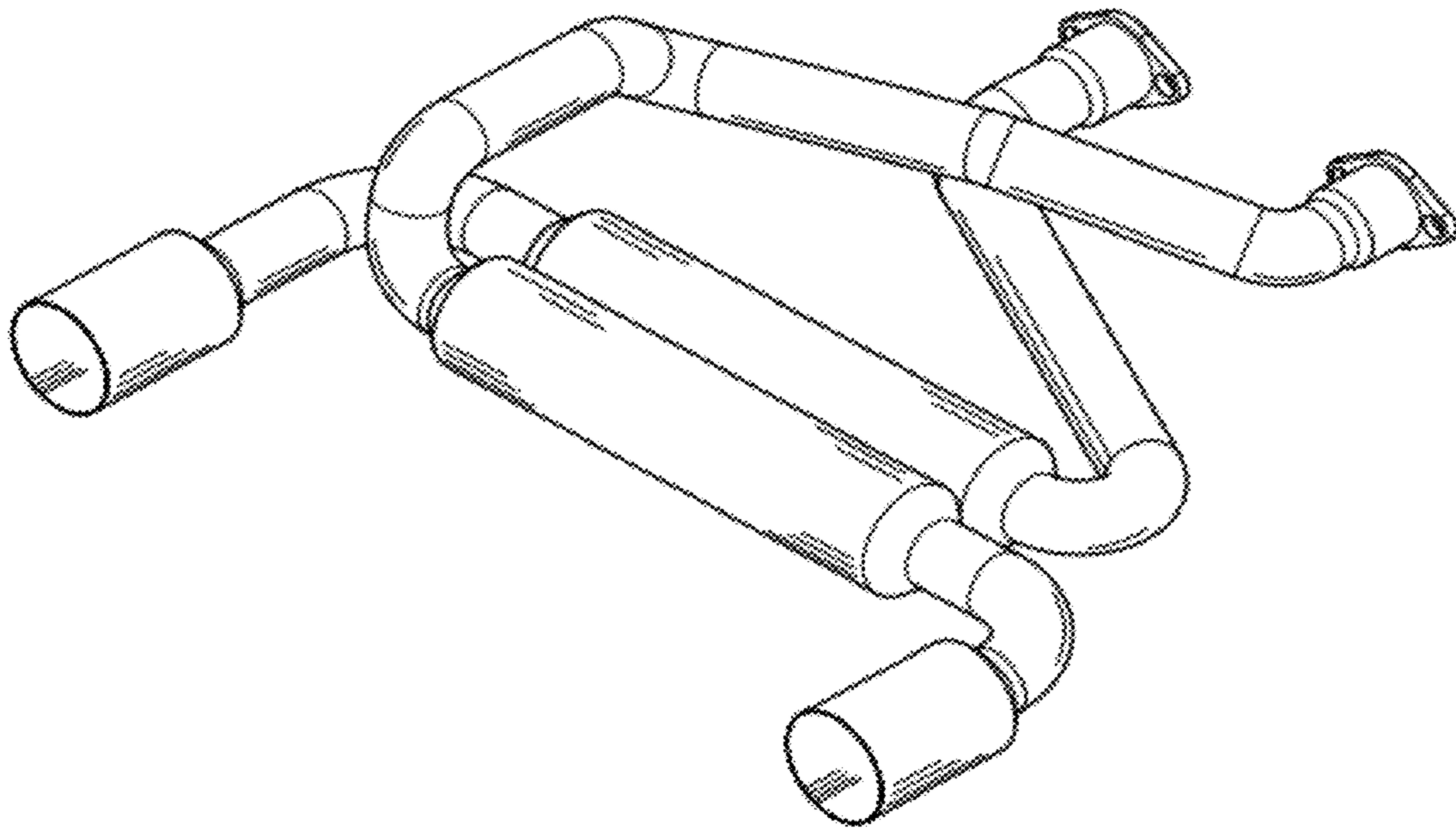


FIG. 1

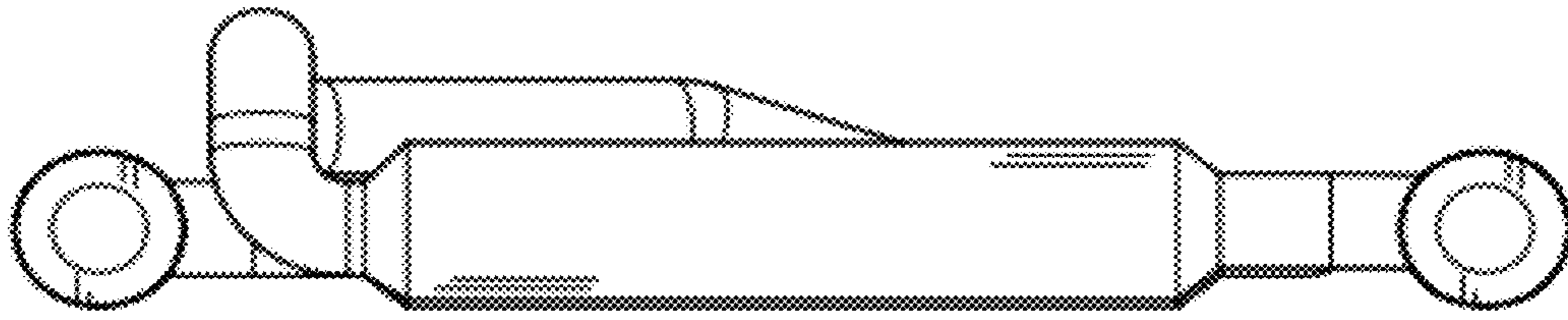


FIG. 2

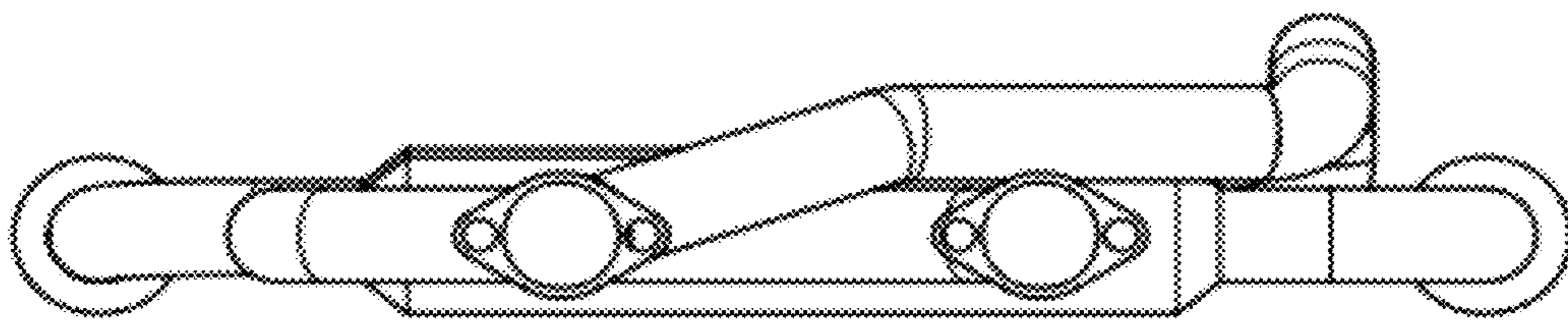


FIG. 3

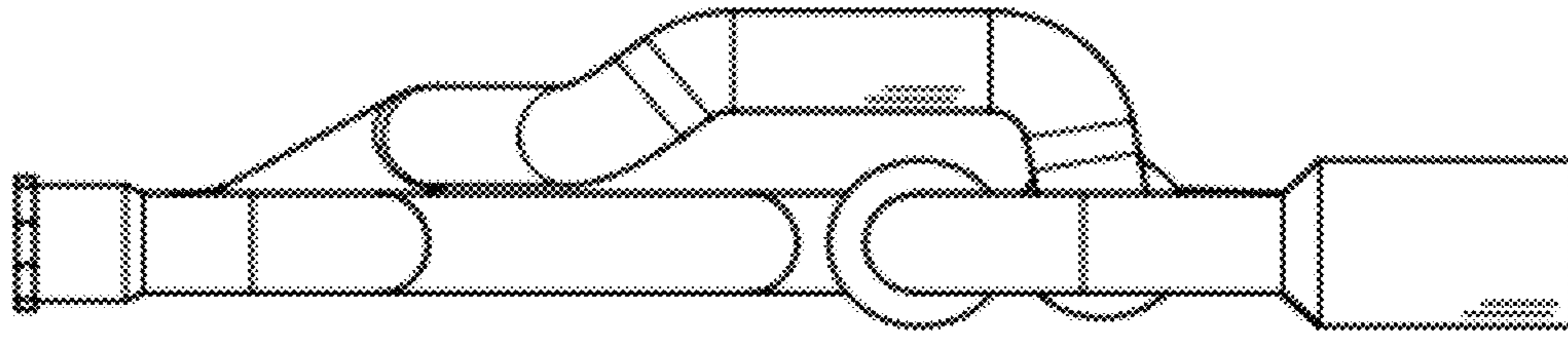


FIG. 4

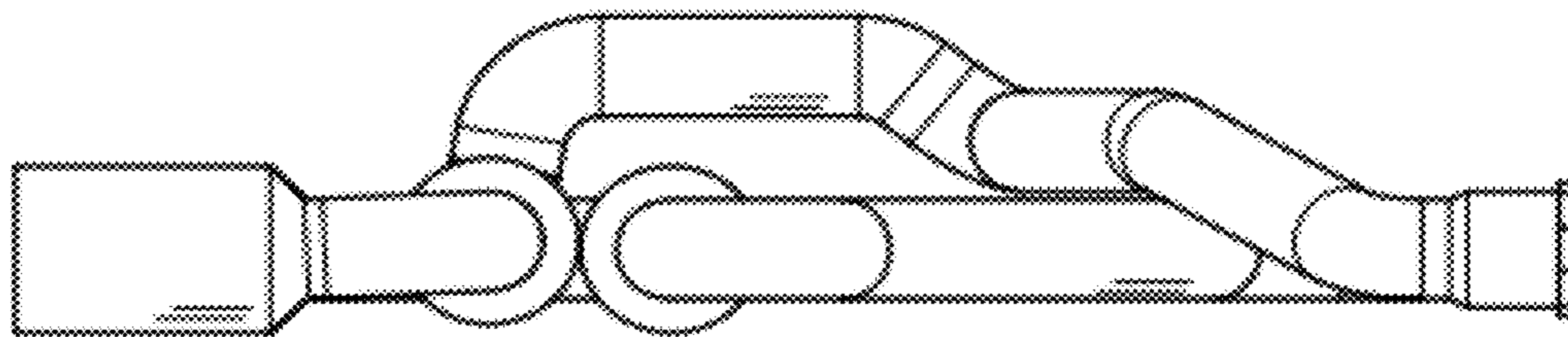


FIG. 5

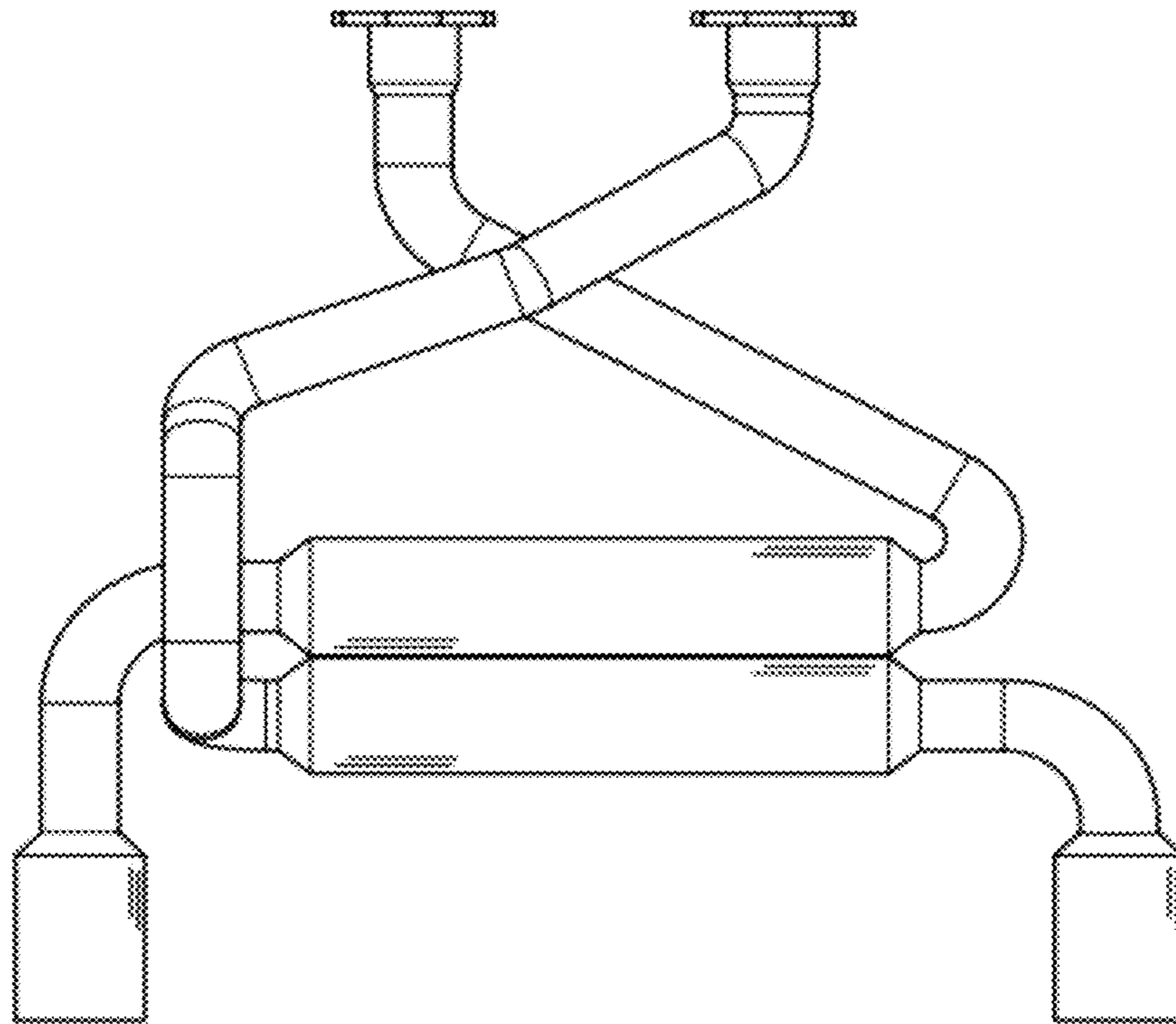


FIG. 6

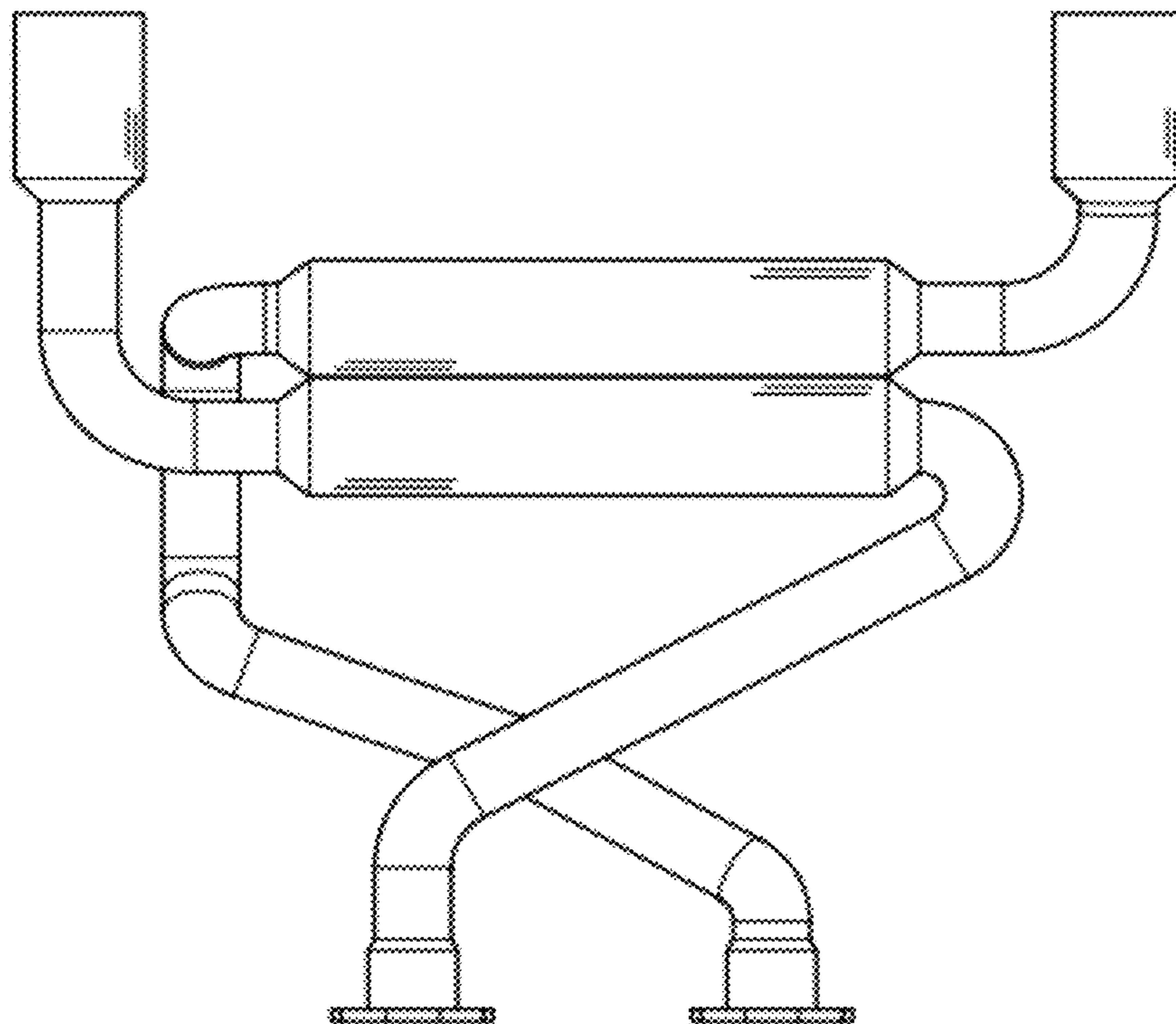


FIG. 7