

US00D666540S

(12) **United States Design Patent**
Karras et al.

(10) **Patent No.:** **US D666,540 S**
(45) **Date of Patent:** **** Sep. 4, 2012**

(54) **VEHICLE HOOD**

(75) Inventors: **Panayiotis J. Karras**, Ferndale, MI
(US); **Hoon S Kim**, Rochester Hills, MI
(US); **Robert Hunwick**, Dearborn, MI
(US)

(73) Assignee: **GM Global Technology Operations, LLC**, Detroit, MI (US)

(**) Term: **14 Years**

(21) Appl. No.: **29/382,090**

(22) Filed: **Dec. 29, 2010**

(51) **LOC (9) Cl.** **12-16**

(52) **U.S. Cl.** **D12/173**

(58) **Field of Classification Search** D12/173,
D12/196, 86, 90-92; 180/69.21, 69.2, 69.22

See application file for complete search history.

(56) **References Cited**

U.S. PATENT DOCUMENTS

D592,113	S	*	5/2009	Ward	D12/173
D600,609	S	*	9/2009	Mattin et al.	D12/173
D600,610	S	*	9/2009	Lamm	D12/173
D607,792	S	*	1/2010	Weil	D12/173
D614,097	S	*	4/2010	Noguchi et al.	D12/173
D620,852	S	*	8/2010	Froehlich	D12/173
D633,014	S	*	2/2011	Bauer et al.	D12/173

* cited by examiner

Primary Examiner — Melody N Brown

(74) *Attorney, Agent, or Firm* — Parks IP Law LLC; Mickki D. Murray

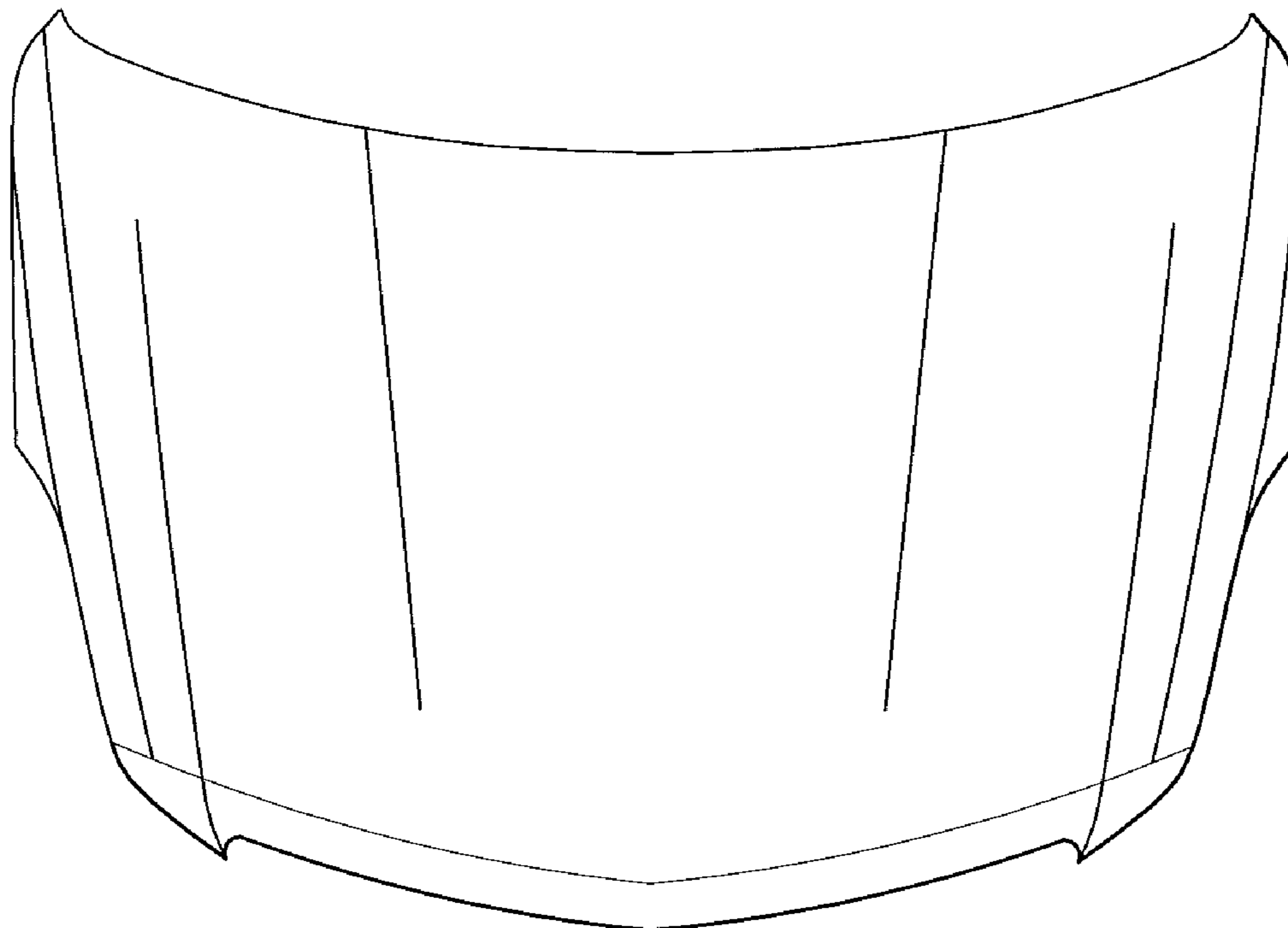
(57) **CLAIM**

The ornamental design for a vehicle hood, as shown and described.

DESCRIPTION

FIG. 1 is a top plan view of a vehicle hood showing my new design;
FIG. 2 is a side view, thereof;
FIG. 3 is a front view, thereof; and,
FIG. 4 is a perspective view, thereof.

1 Claim, 2 Drawing Sheets



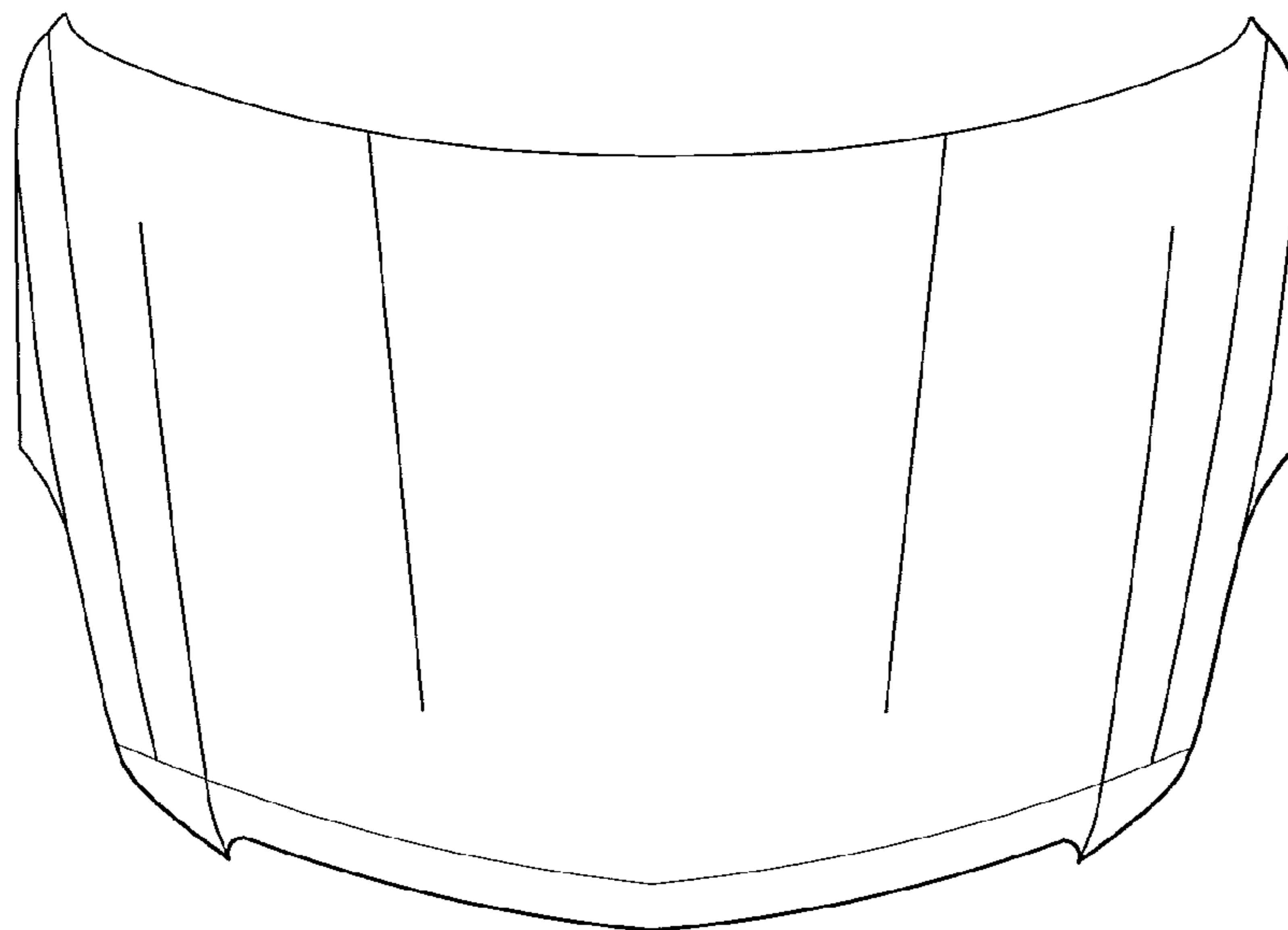


Fig-1

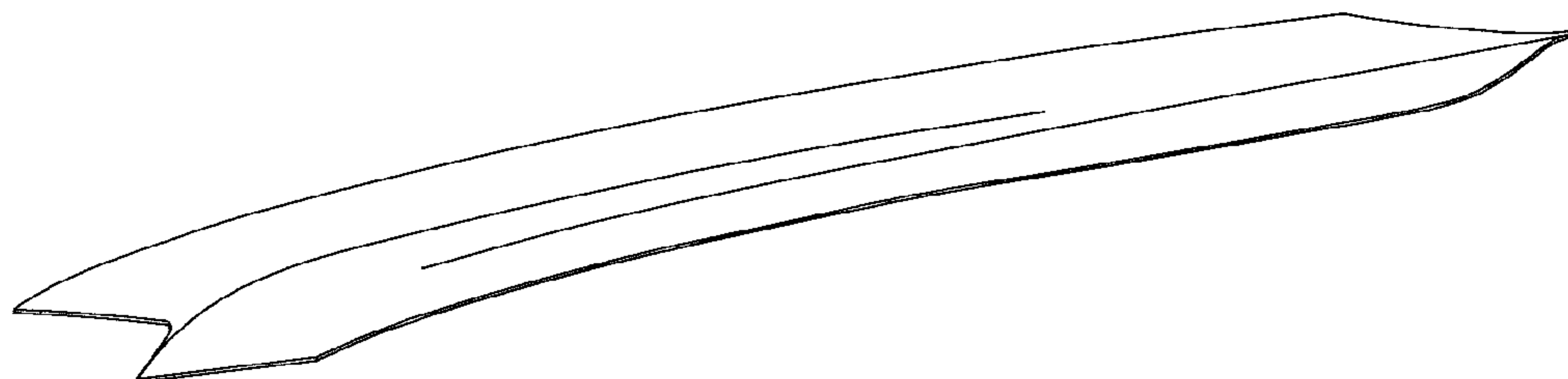


Fig-2

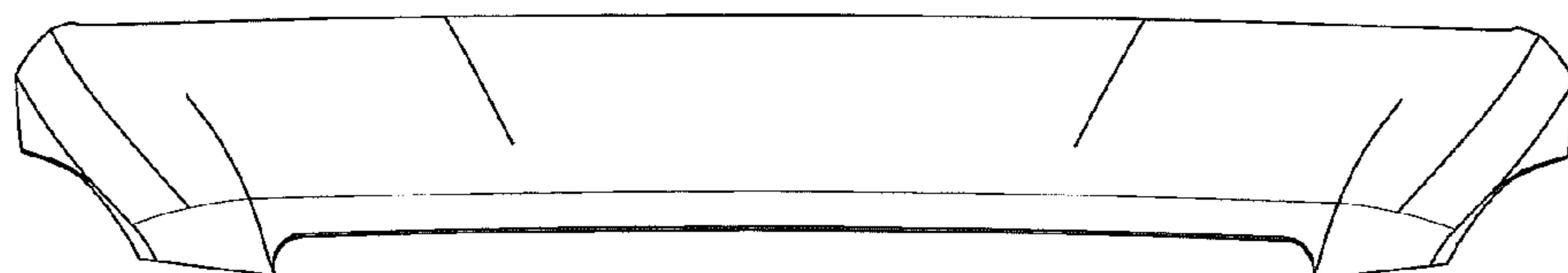


Fig-3

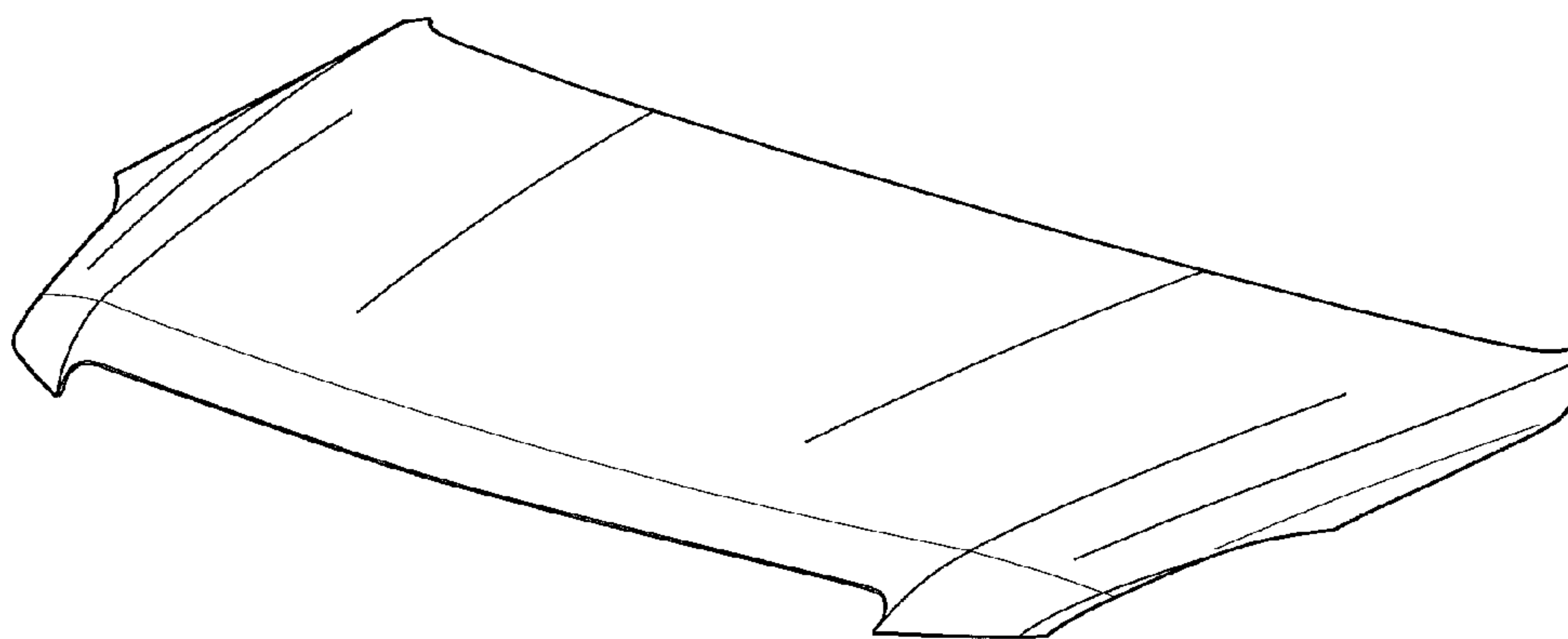


Fig-4