

US00D666538S

(12) **United States Design Patent**
Duffy

(10) **Patent No.:** **US D666,538 S**

(45) **Date of Patent:** **** Sep. 4, 2012**

(54) **PUCK HITCH DEVICE**

(76) Inventor: **Michael E. Duffy**, Plattsmouth, NE (US)

(**) Term: **14 Years**

(21) Appl. No.: **29/373,365**

(22) Filed: **Apr. 1, 2011**

(51) **LOC (9) Cl.** **12-16**

(52) **U.S. Cl.** **D12/162**

(58) **Field of Classification Search** D12/159,
D12/160, 161, 162; 56/DIG. 14; 280/406.2,
280/407, 407.1, 408, 411.1, 416.1, 416.2,
280/416.3, 418, 418.1, 433, 434, 435, 441.1,
280/441.2, 455.1, 456.1, 480, 493, 504, 508,
280/5, 11; 172/47; 224/42.11, 42.12, 42.14,
224/42.26, 400, 401, 412, 413, 488, 494,
224/537

See application file for complete search history.

(56) **References Cited**

U.S. PATENT DOCUMENTS

3,782,761	A *	1/1974	Cardin, Sr.	280/507
D326,834	S *	6/1992	Kuhlemeier et al.	D12/162
D425,460	S *	5/2000	Peroni	D12/162
D426,798	S *	6/2000	Peroni	D12/162
6,079,136	A *	6/2000	Kozlarek	40/541
6,463,686	B1 *	10/2002	Eisenbraun	40/591
D503,663	S *	4/2005	Kolflat	D12/162

D514,479	S *	2/2006	Wang	D12/162
7,455,313	B2 *	11/2008	Yokosh et al.	280/507
D605,100	S *	12/2009	Douglas	D12/194
D644,572	S *	9/2011	Edick	D12/162
D648,661	S *	11/2011	Sullivan et al.	D12/162
2002/0101055	A1 *	8/2002	Warren	280/477
2003/0141699	A1 *	7/2003	Collins	280/507
2007/0109145	A1 *	5/2007	Tang	340/815.45
2011/0252676	A1 *	10/2011	Stringer	40/210
2012/0049484	A1 *	3/2012	Brass	280/507

* cited by examiner

Primary Examiner — Michael A Pratt

(74) *Attorney, Agent, or Firm* — Dennis L. Thomte; Thomte Patent Law Office LLC

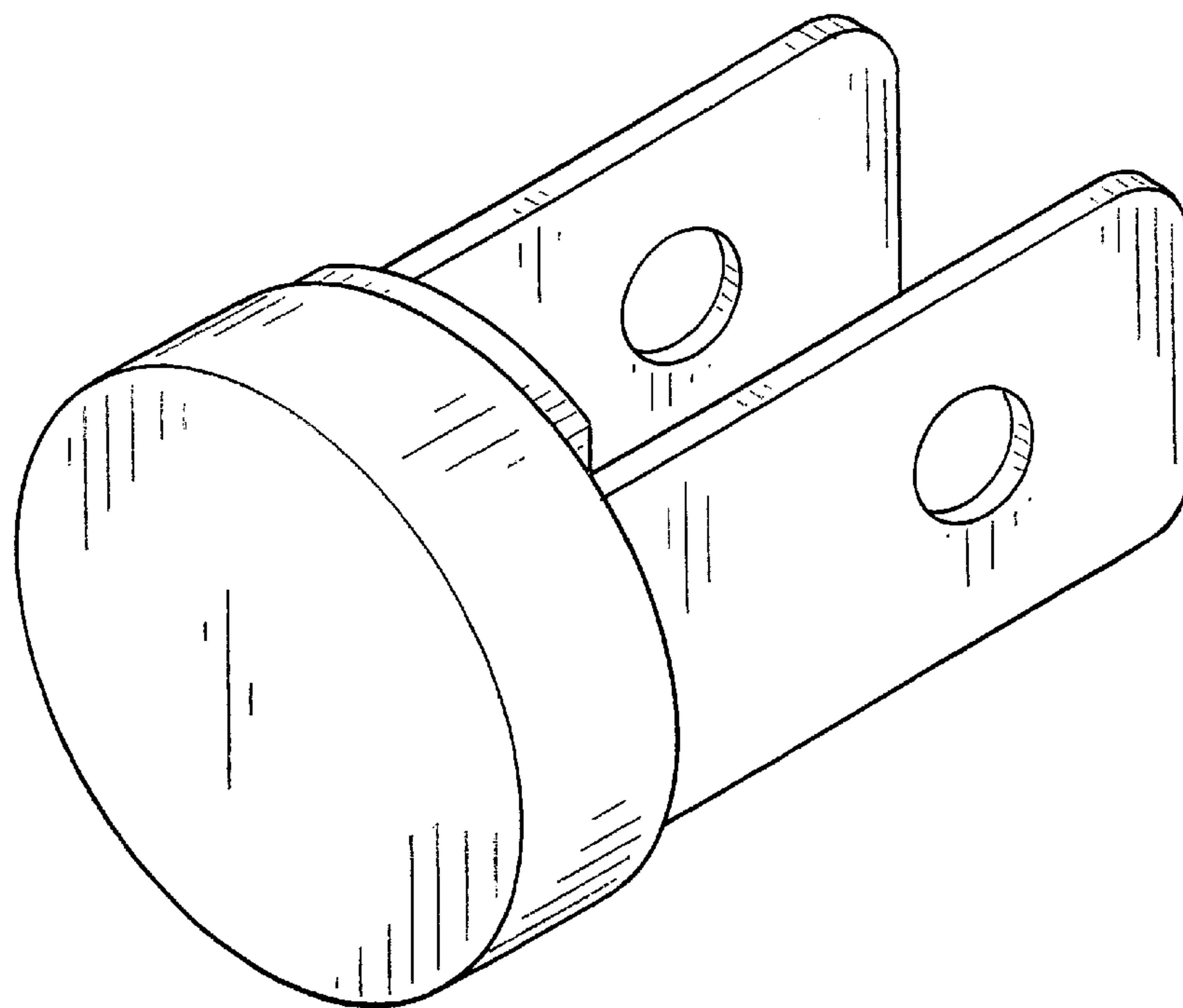
(57) **CLAIM**

The ornamental design for a puck hitch device, as shown and described.

DESCRIPTION

FIG. 1 is a perspective view of the puck hitch device; FIG. 2 is a front view of the puck hitch device of FIG. 1; FIG. 3 is a right side view of the puck hitch device of FIG. 1; FIG. 4 is a left side view of the puck hitch device of FIG. 1; FIG. 5 is a rear view of the puck hitch device of FIG. 1; FIG. 6 is a top view of the puck hitch device of FIG. 1; and, FIG. 7 is a bottom view of the puck hitch device of FIG. 1.

1 Claim, 3 Drawing Sheets



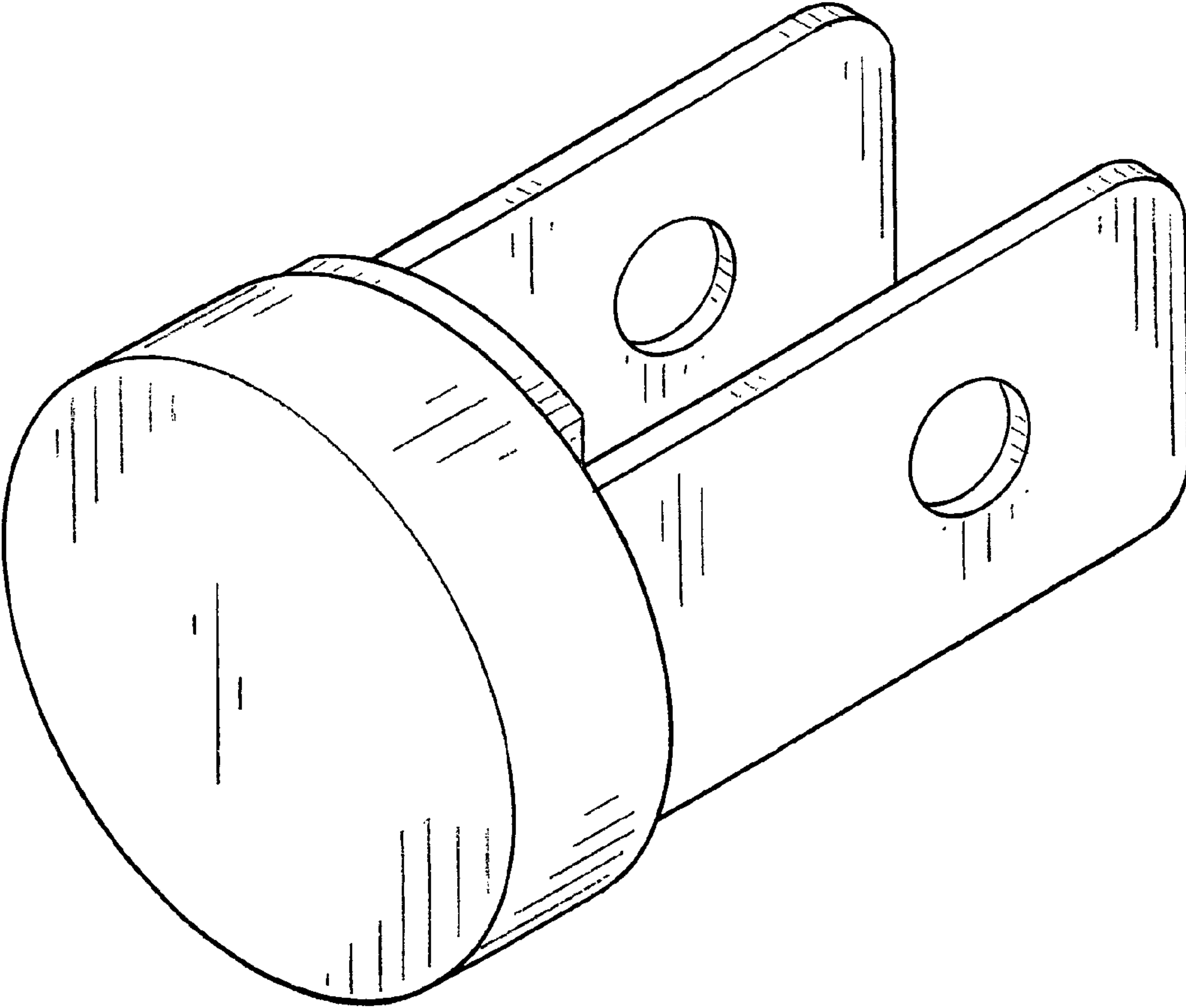


FIG. 1

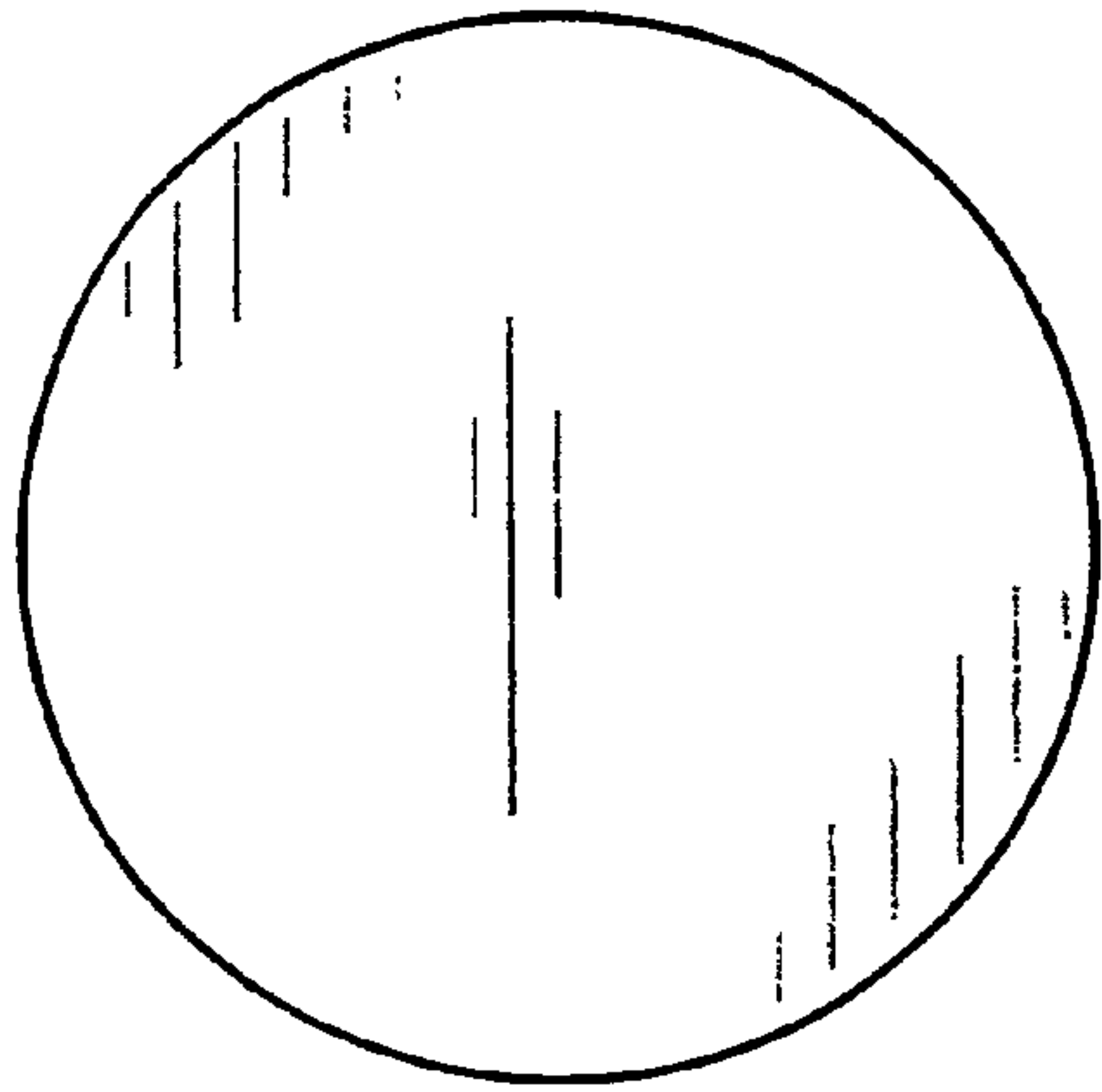


FIG. 2

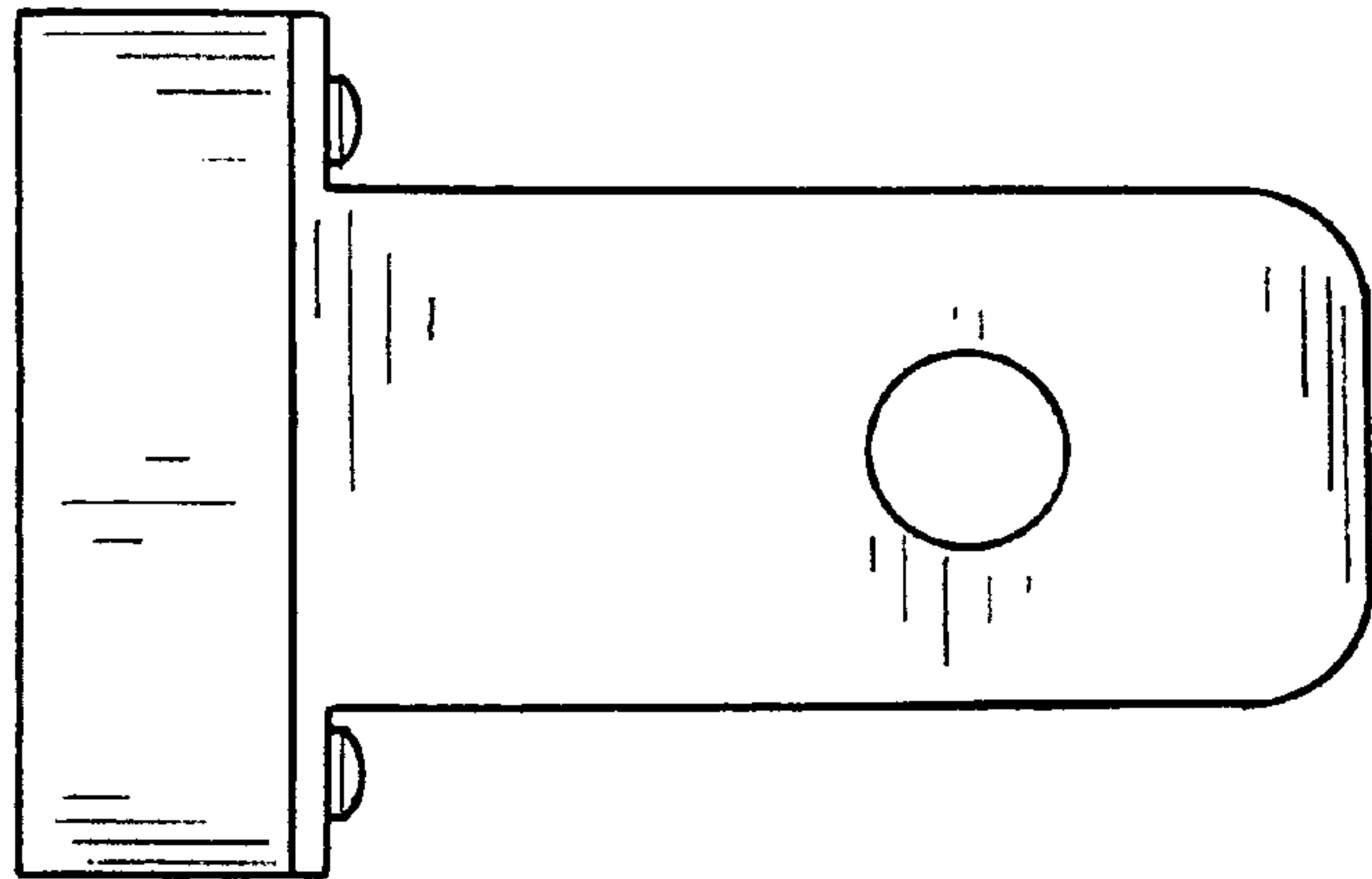


FIG. 3

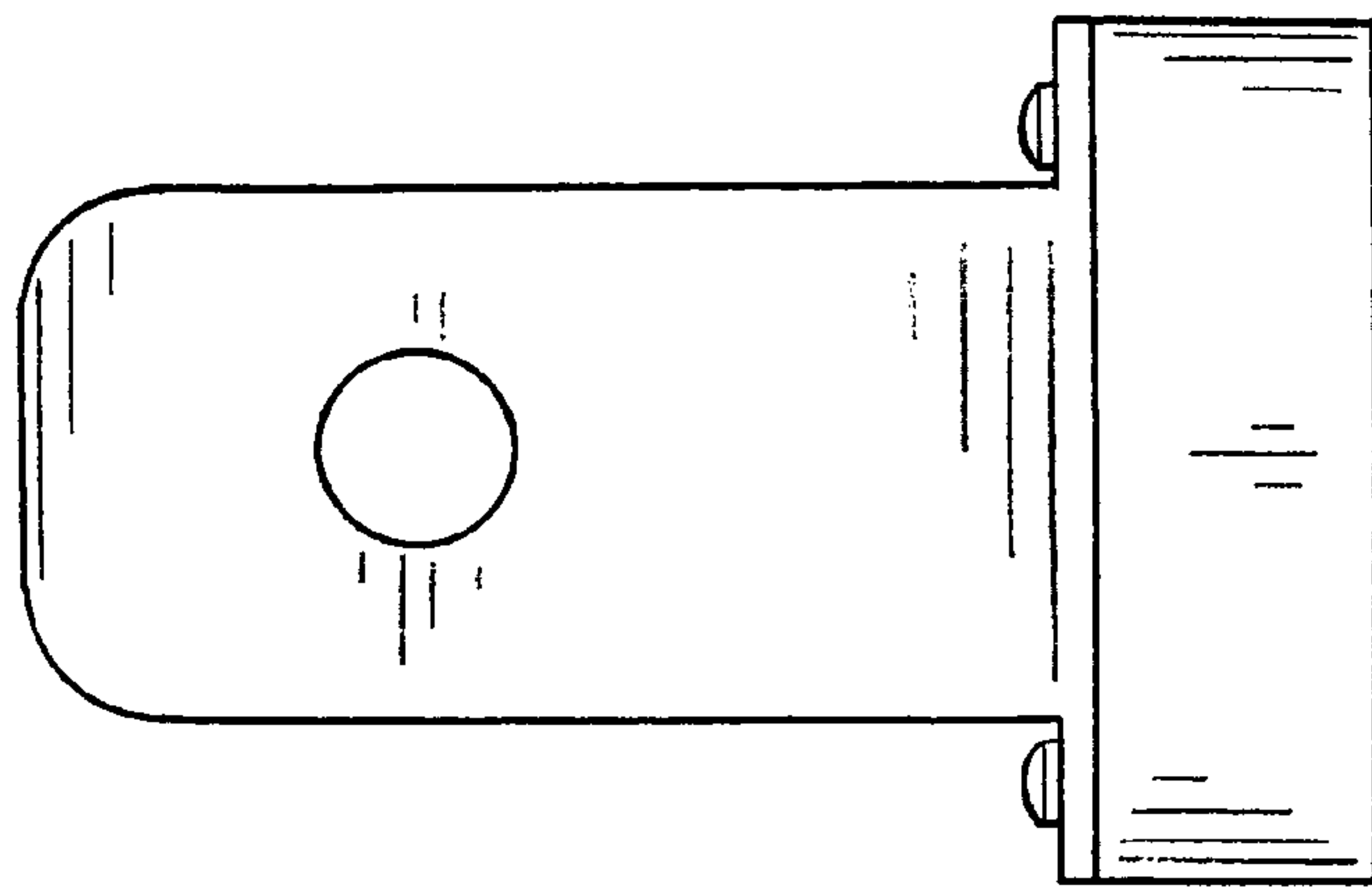


FIG. 4

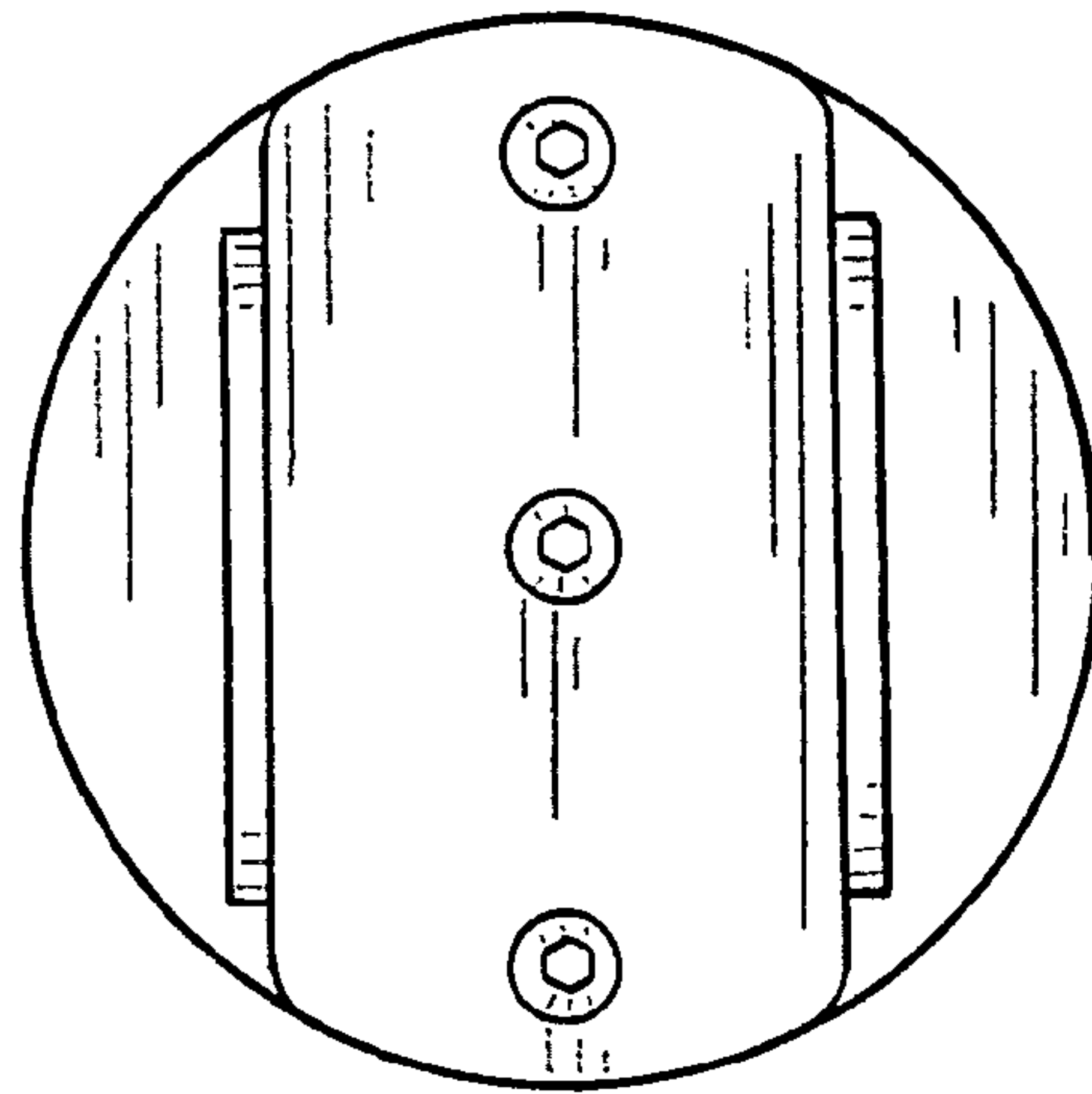


FIG. 5

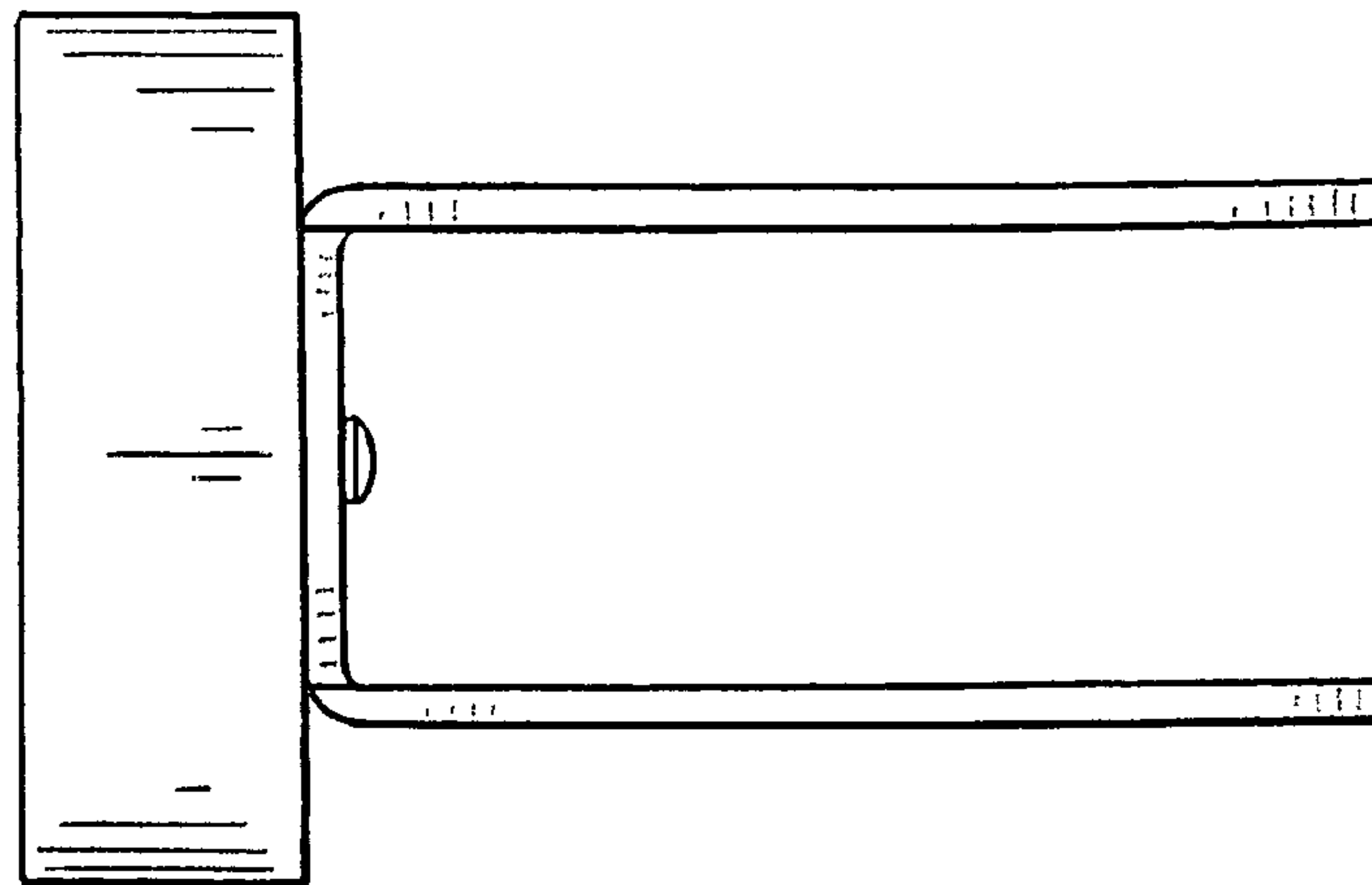


FIG. 6

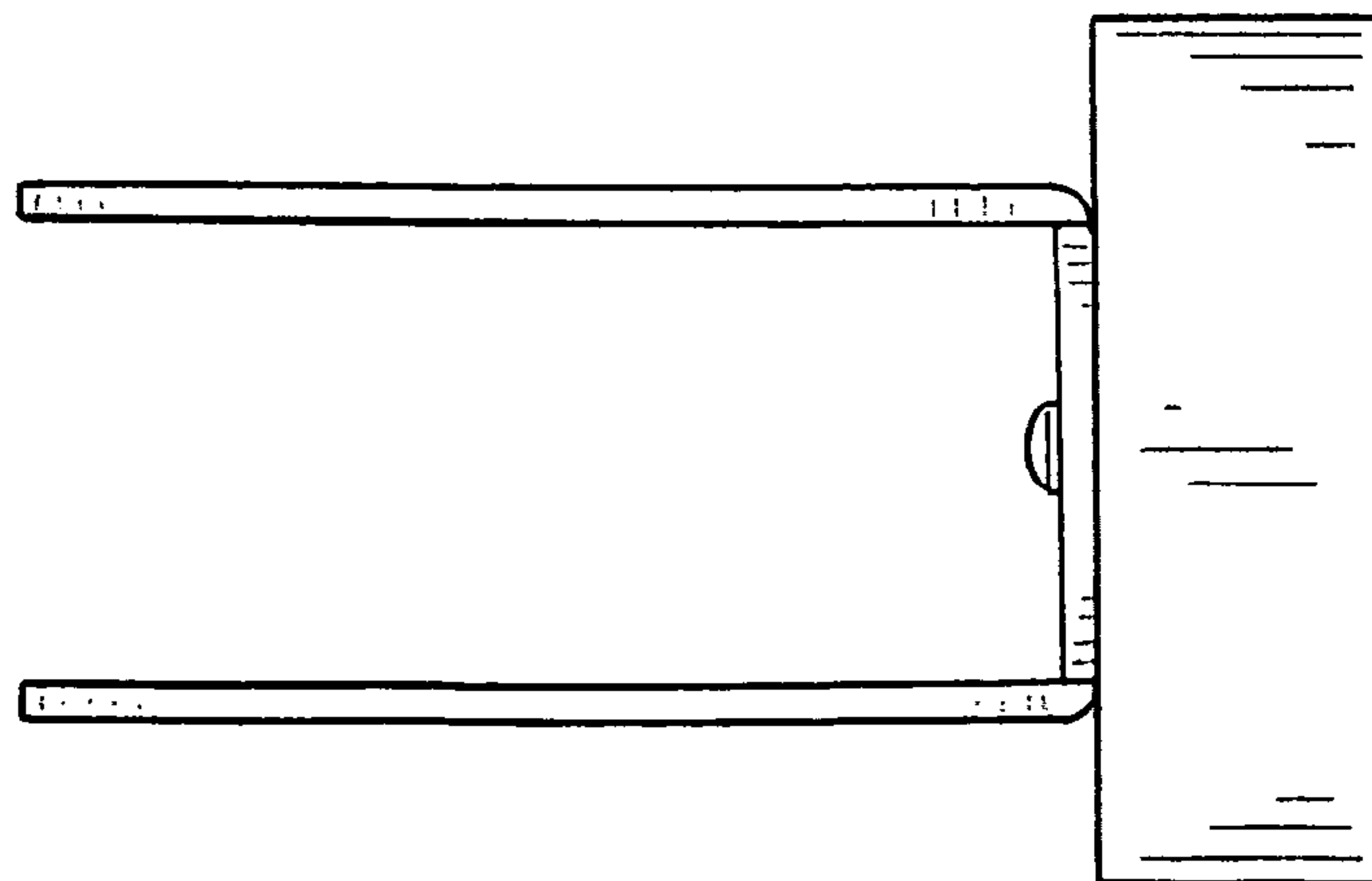


FIG. 7