

US00D666537S

(12) **United States Design Patent**
Hoadley et al.

(10) **Patent No.:** **US D666,537 S**
(45) **Date of Patent:** **** Sep. 4, 2012**

(54) **ANGLED BICYCLE RACK**

(76) Inventors: **Rodney Joseph Hoadley**, San Luis Obispo, CA (US); **Chris Skrabanik**, Arroyo Grande, CA (US)

(**) Term: **14 Years**

(21) Appl. No.: **29/401,339**

(22) Filed: **Sep. 10, 2011**

(51) **LOC (9) Cl.** **12-11**

(52) **U.S. Cl.** **D12/115**

(58) **Field of Classification Search** D12/115,
D12/120; 211/17-22, 181.1; 248/175, 176.1,
248/153

See application file for complete search history.

<http://www.josta.de/english/katpic12.htm>, Dec. 22, 2001.

<http://www.peakracks.com/>, Feb. 7, 2011.

<http://www.madrax.com/Default.aspx?tabid=61&CategoryID=0&List=0&SortField=ProductName%2cProductName&Level=a&ProductID=54>, Feb. 28, 2011.

<http://www.madrax.com/Default.aspx?tabid=61&CategoryID=0&List=0&SortField=ProductName%2cProductName&Level=a&ProductID=55>, Feb. 28, 2011. <http://www.madrax.com/Default.aspx?tabid=61&CategoryID=0&List=0&SortField=ProductName%2cProductName&Level=a&ProductID=57>, Feb. 28, 2011.

<http://www.madrax.com/Default.aspx?tabid=61&CategoryID=0&List=0&SortField=ProductName%2cProductName&Level=a&ProductID=57>, Feb. 28, 2011.

* cited by examiner

Primary Examiner — Susan M Lee

Assistant Examiner — Linda G. Brooks

(74) *Attorney, Agent, or Firm* — William Keyworth; Bill & Mary Lou Inc.

(56) **References Cited**

U.S. PATENT DOCUMENTS

640,433	A	1/1900	White	
3,529,729	A	9/1970	Gappa	
3,785,500	A	1/1974	Kennelly	
3,863,767	A	2/1975	Garwood	
4,015,718	A	4/1977	Bernard	
4,047,614	A	9/1977	Radek	
4,352,363	A	10/1982	Wilson	
5,992,645	A	11/1999	West	
6,257,419	B1 *	7/2001	Kamysiak	211/22
6,336,562	B1	1/2002	Mori	
D543,906	S	6/2007	Hoadley et al.	

OTHER PUBLICATIONS

http://www.dero.com/commercial_racks.html, Mar. 16, 2008.

<http://www.ameribike.com/catalog/racks/rack-intro.html>, Apr. 2, 2002.

<http://www.bikeracks.com/>, Dec. 1, 1998.

<http://www.bikeup.com/>, Jan. 25, 1999.

<http://www.cora.com/bicyclestorage.htm>, Apr. 22, 2004.

http://www.en.velopa.com/products/catalogue/bicycle_parking_systems/compact_bicycle_parking/velo-frame/, Nov. 13, 2004.

(57) **CLAIM**

The ornamental design for an angled bicycle rack, as shown and described.

DESCRIPTION

FIG. 1 is a front elevational view of the angled bicycle rack. FIG. 2 is a back elevational view of the angled bicycle rack. FIG. 3 is a top plan view of the angled bicycle rack. The bottom plan view is not normally visible when in use and therefore is not shown.

FIG. 4 is a left elevational view of the angled bicycle rack.

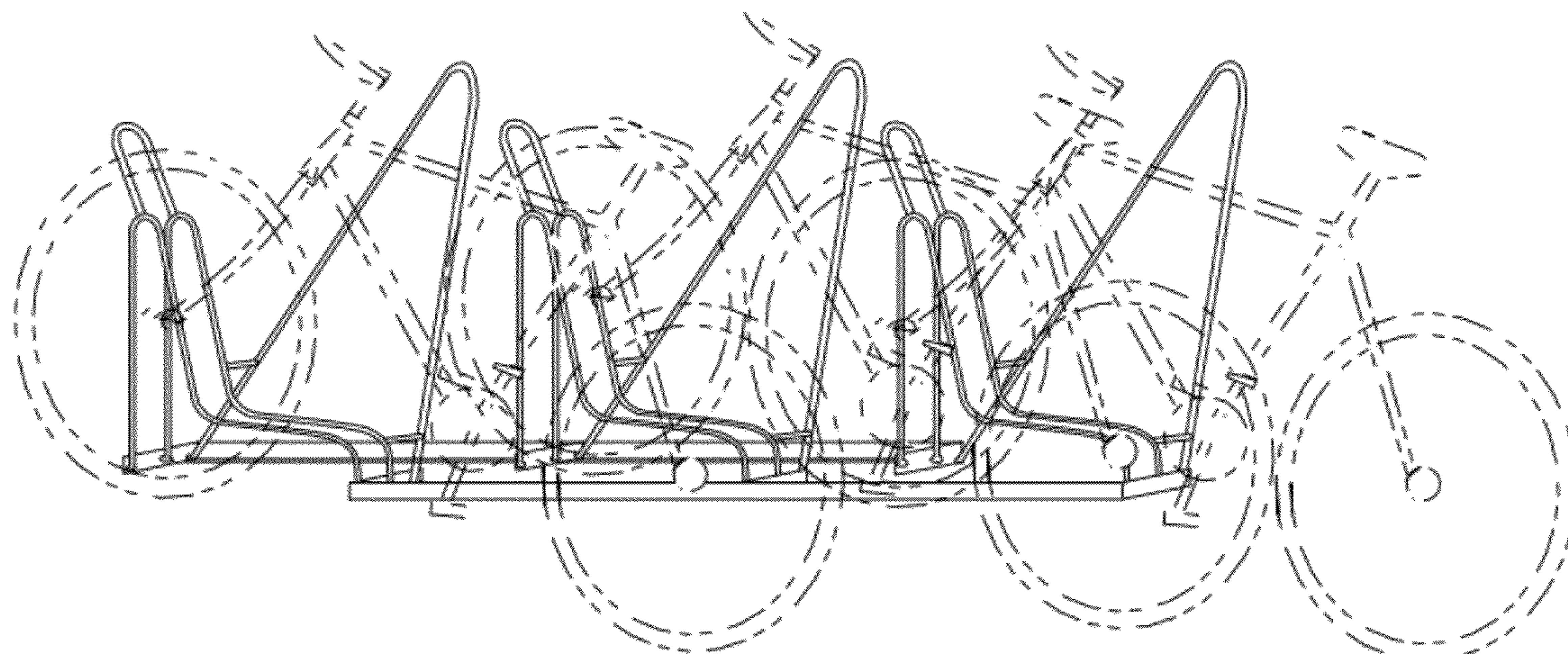
FIG. 5 is a right elevational view of the angled bicycle rack.

FIG. 6 is a front perspective view of the angled bicycle rack.

FIG. 7 is a back perspective view of the angled bicycle rack; and,

FIG. 8 is a front perspective view of the angled bicycle rack containing bicycles. The bicycles contained in the rack are shown in broken lines and are not part of the claimed design.

1 Claim, 4 Drawing Sheets



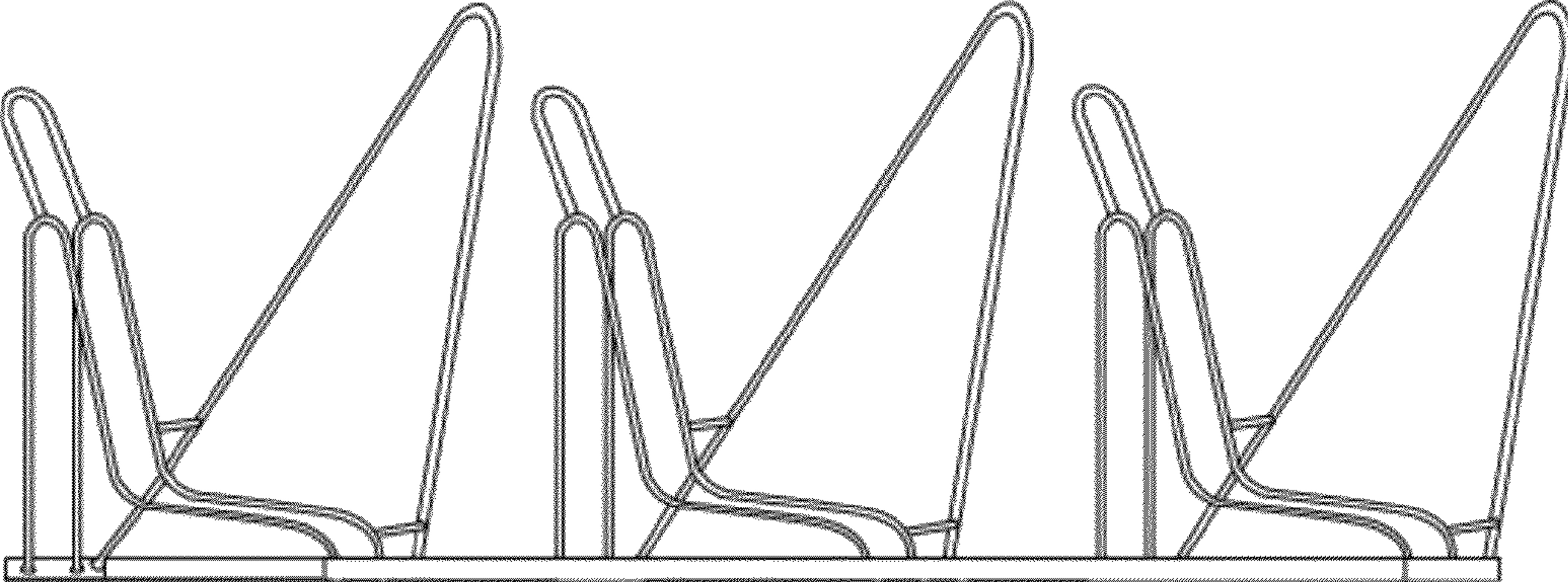


Fig. 1

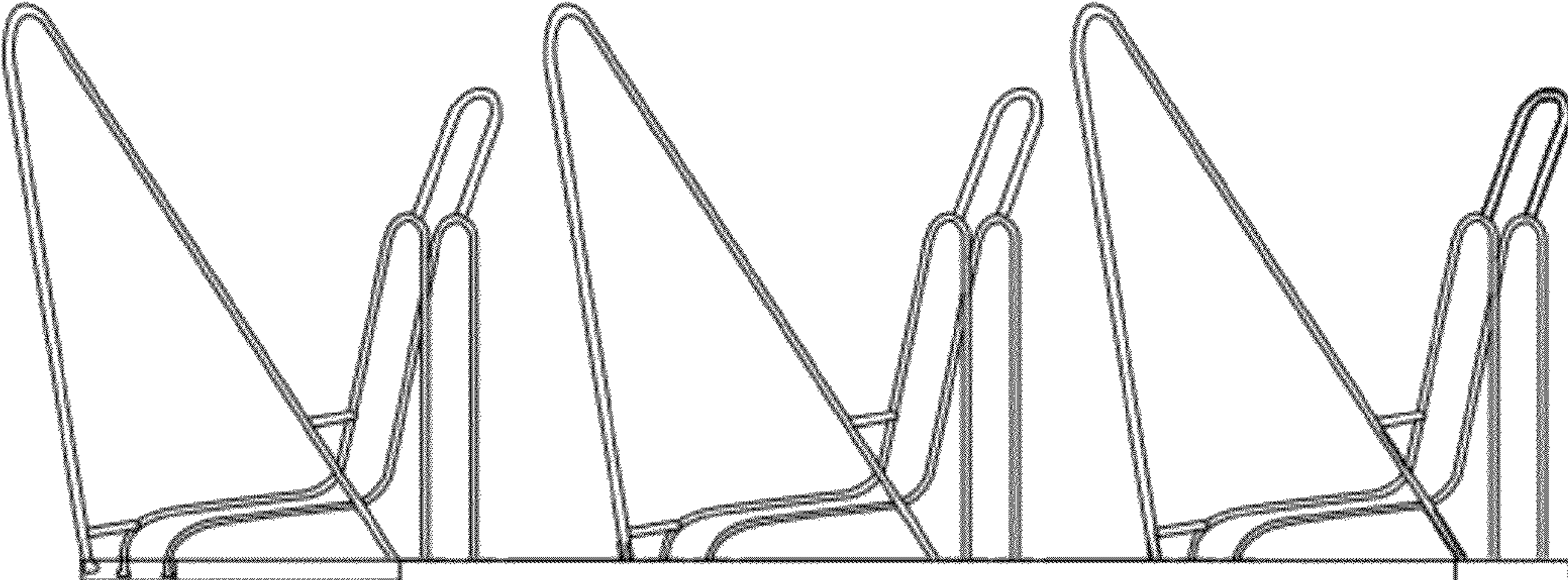


Fig. 2

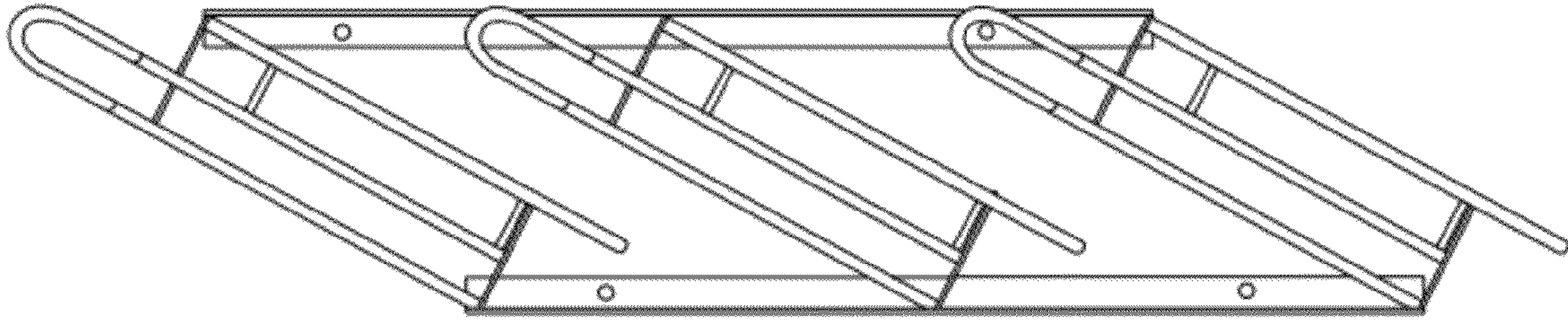


Fig. 3

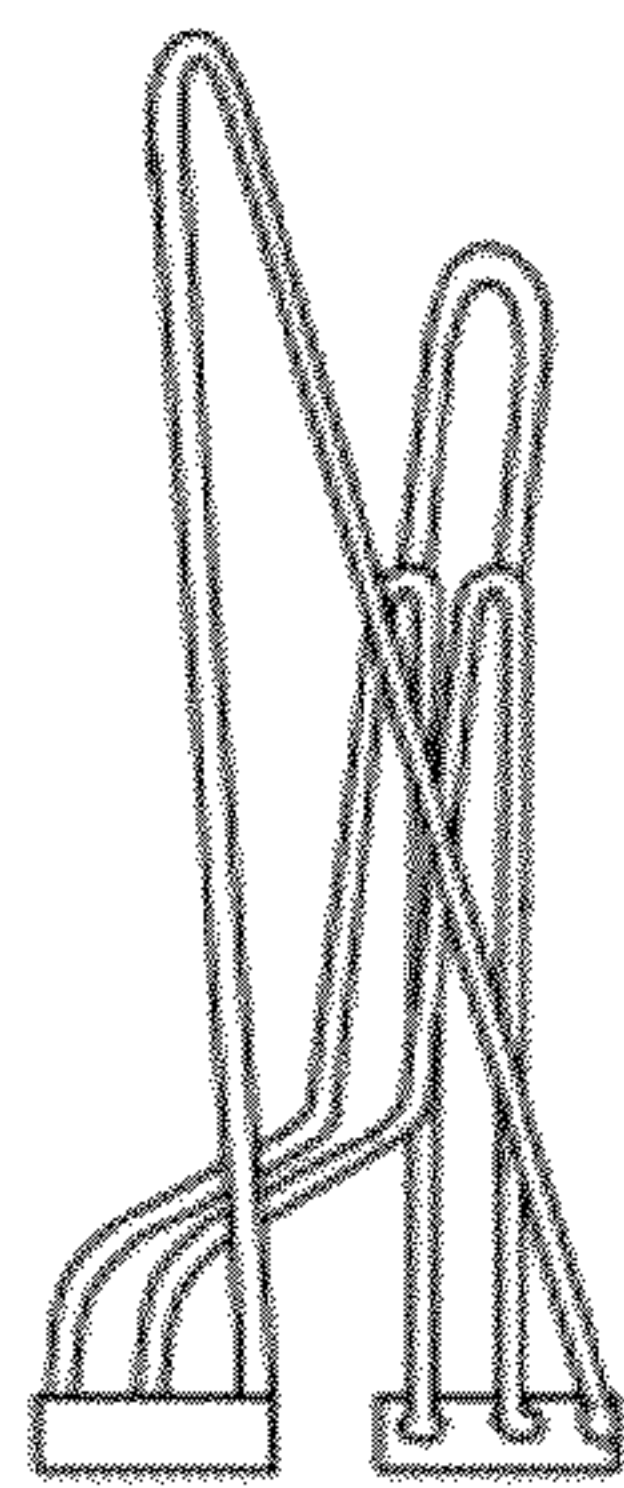


Fig. 4

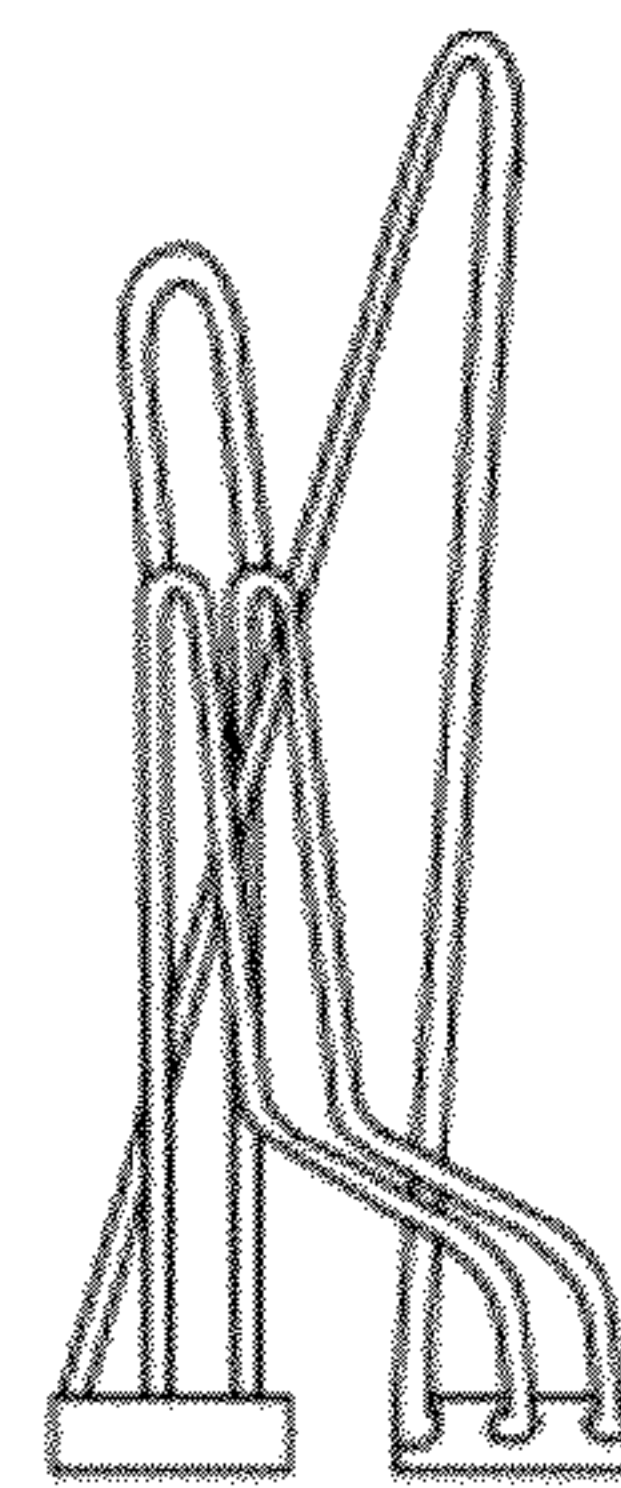


Fig. 5

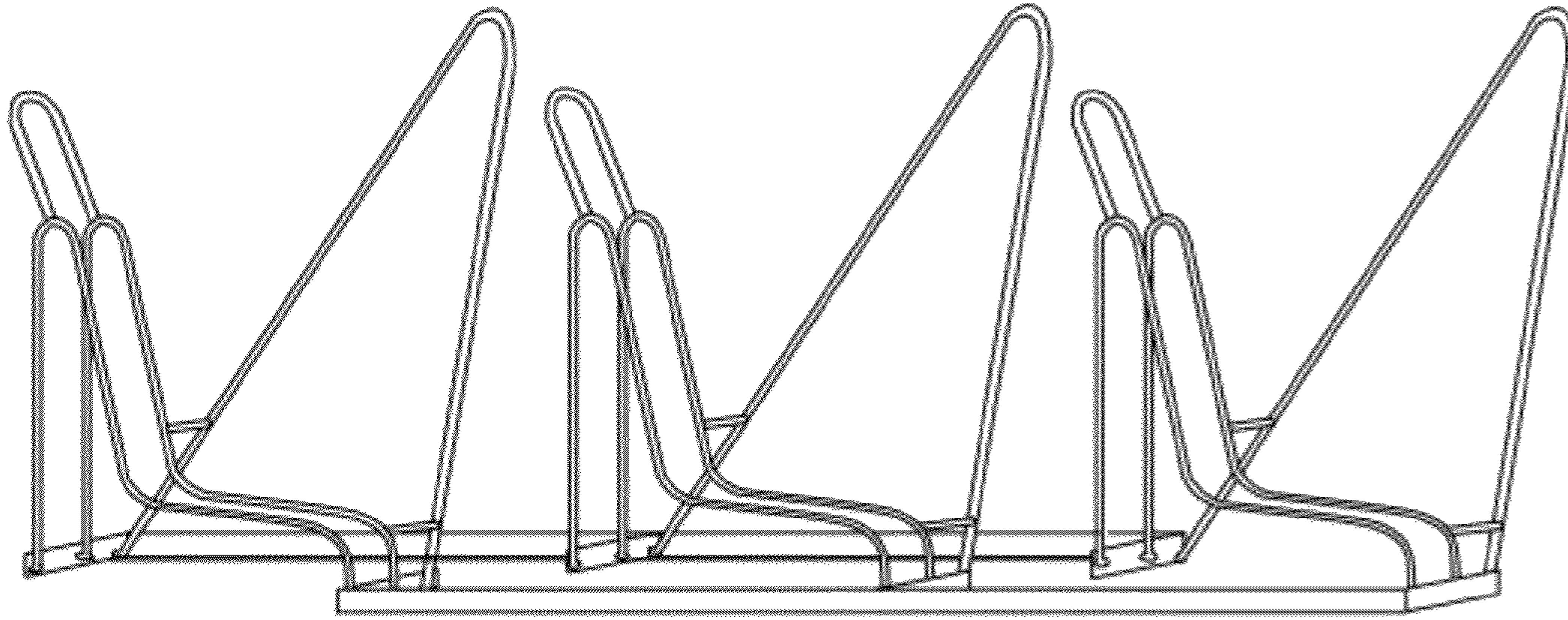


Fig. 6

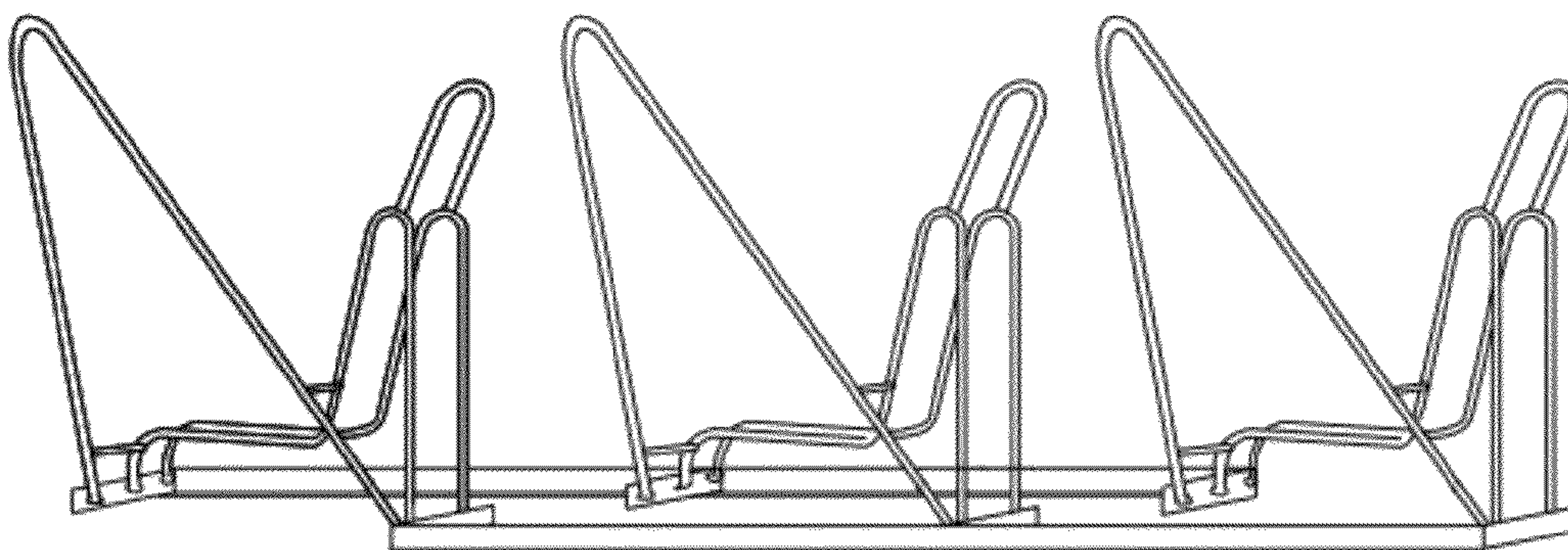


Fig. 7

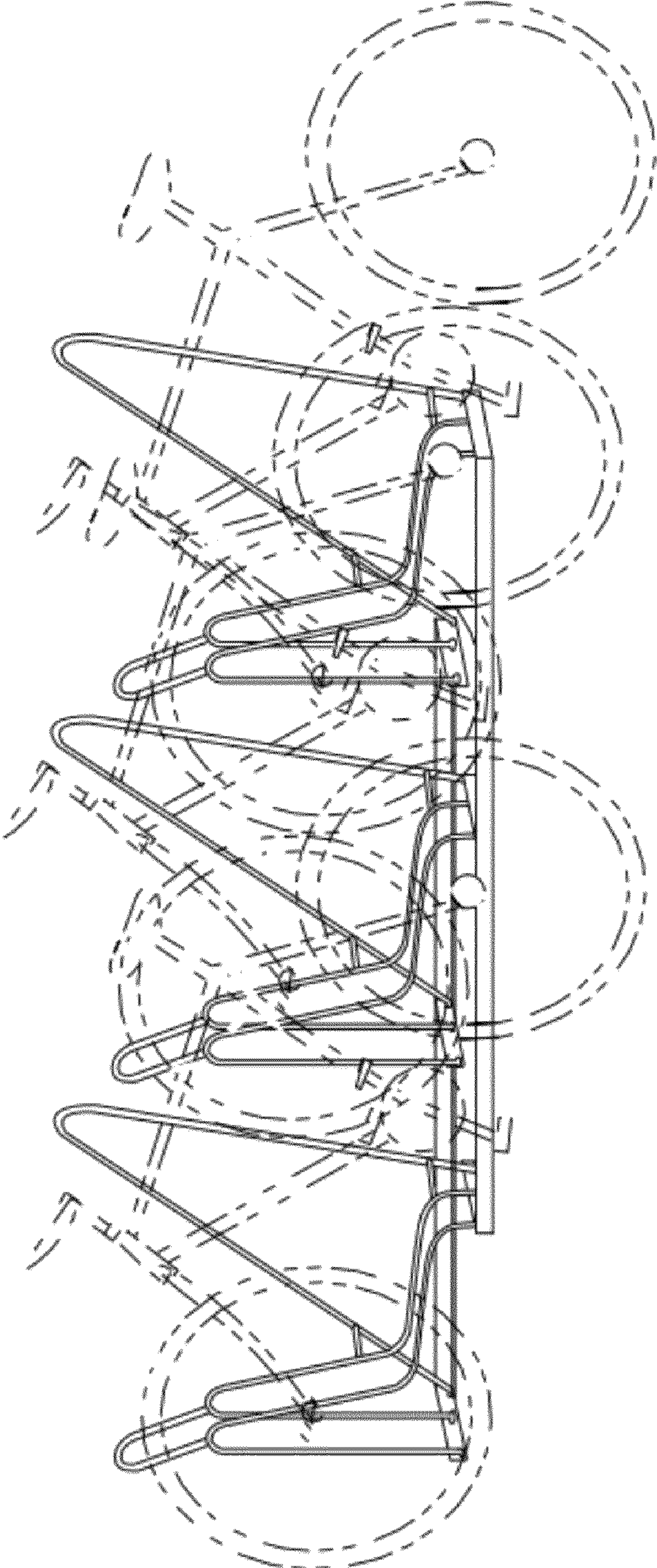


Fig. 8