



US00D666527S

(12) **United States Design Patent**
Li et al.

(10) **Patent No.:** **US D666,527 S**

(45) **Date of Patent:** **** Sep. 4, 2012**

(54) **VEHICLE**

(75) Inventors: **Leyang Li**, Shenzhen (CN); **Bo Liu**,
Shenzhen (CN); **Yubo Lian**, Shenzhen
(CN)

(73) Assignee: **BYD Company Limited** (CN)

(**) Term: **14 Years**

(21) Appl. No.: **29/396,439**

(22) Filed: **Jun. 29, 2011**

(30) **Foreign Application Priority Data**

Dec. 30, 2010 (CN) 2010 3 0705155

(51) **LOC (9) Cl.** **12-08**

(52) **U.S. Cl.** **D12/91**

(58) **Field of Classification Search** D12/86,
D12/90-92; D21/424, 433, 434; 296/181.1,
296/181.5

See application file for complete search history.

(56) **References Cited**

U.S. PATENT DOCUMENTS

D622,634 S *	8/2010	Yamamoto et al.	D12/91
D627,686 S *	11/2010	Thompson et al.	D12/91
D633,824 S *	3/2011	Fukui et al.	D12/91
D646,606 S *	10/2011	Kato et al.	D12/91
D647,430 S *	10/2011	Nemoto	D12/91
D648,247 S *	11/2011	Nemoto	D12/91
D652,352 S *	1/2012	Kim	D12/91

* cited by examiner

Primary Examiner — Melody N Brown

(74) *Attorney, Agent, or Firm* — Squire Sanders (US) LLP

(57) **CLAIM**

The ornamental design for a vehicle, substantially as shown and described.

DESCRIPTION

FIG. 1 is a front view of a vehicle in accordance with a first embodiment of the present design;

FIG. 2 is a rear view of the vehicle in accordance with the first embodiment;

FIG. 3 is a right side view of the vehicle in accordance with the first embodiment;

FIG. 4 is a top view of the vehicle in accordance with the first embodiment;

FIG. 5 is a perspective view of the vehicle in accordance with the first embodiment;

FIG. 6 is a rear perspective view of the vehicle in accordance with the first embodiment;

FIG. 7 is a front view of a vehicle in accordance with a second embodiment of the present design;

FIG. 8 is a rear view of the vehicle in accordance with the second embodiment;

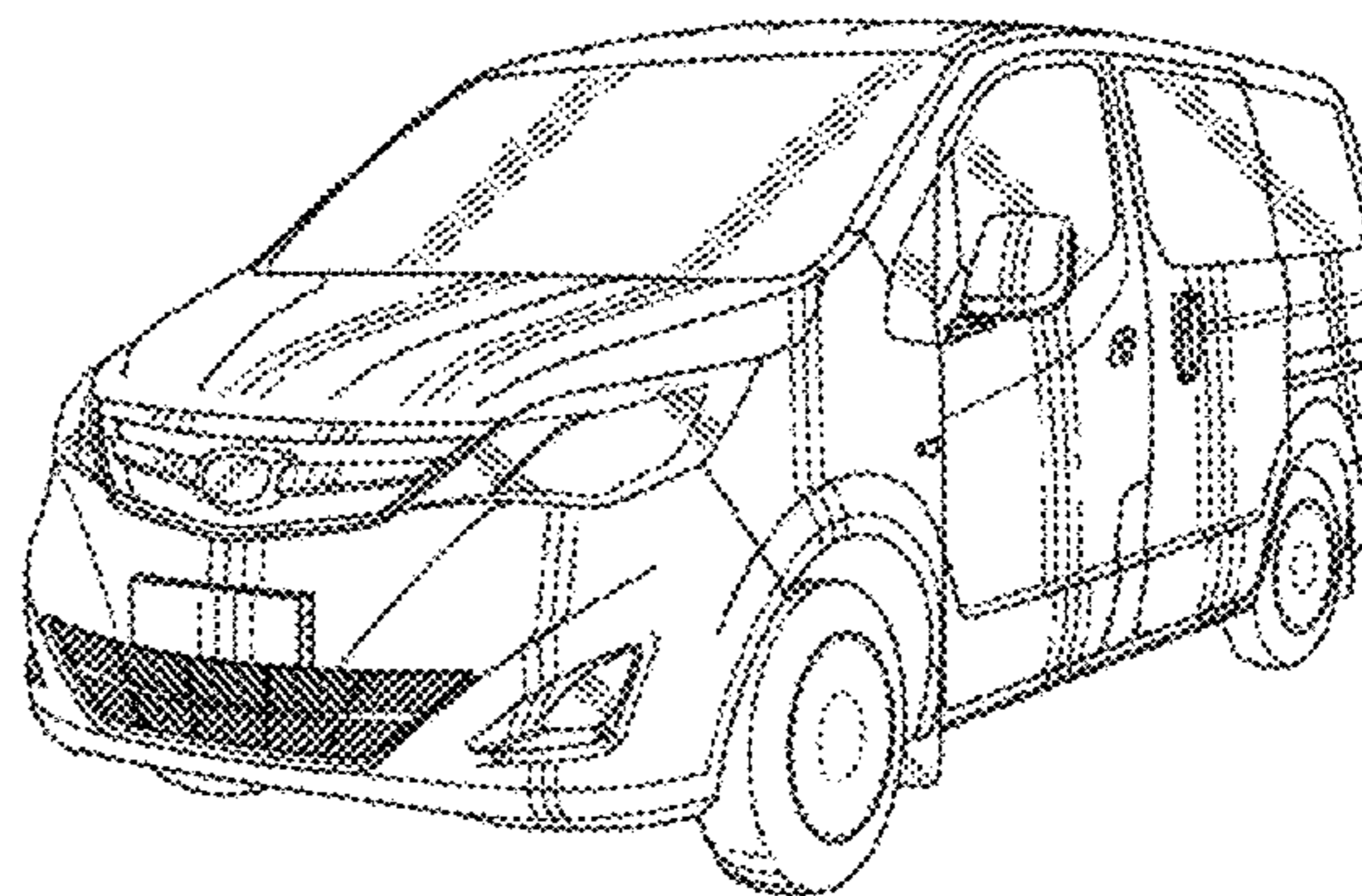
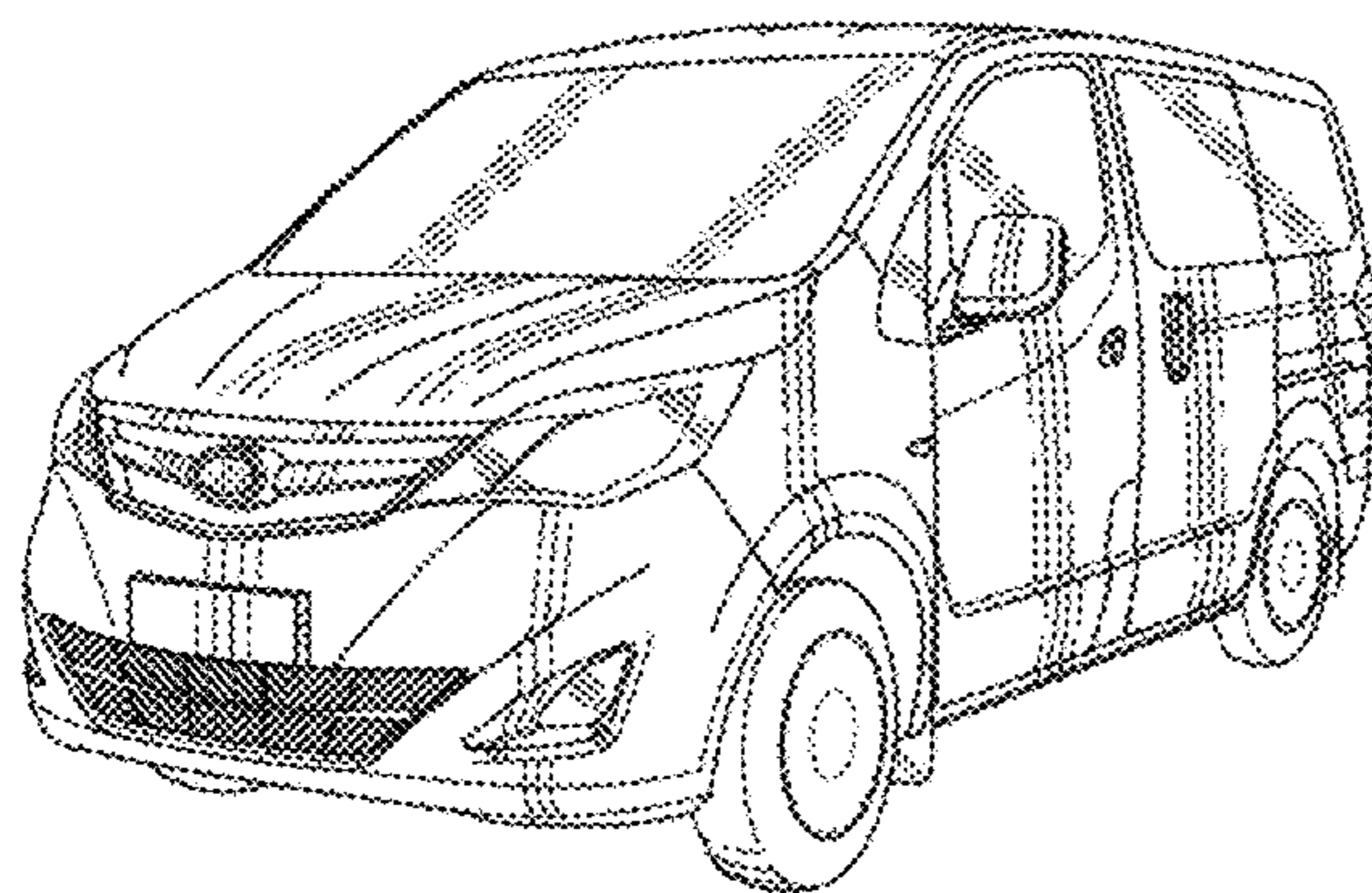
FIG. 9 is a right side view of the vehicle in accordance with the second embodiment;

FIG. 10 is a top view of the vehicle in accordance with the second embodiment;

FIG. 11 is a perspective view of the vehicle in accordance with the second embodiment; and,

FIG. 12 is a rear perspective view of the vehicle in accordance with the second embodiment.

1 Claim, 8 Drawing Sheets



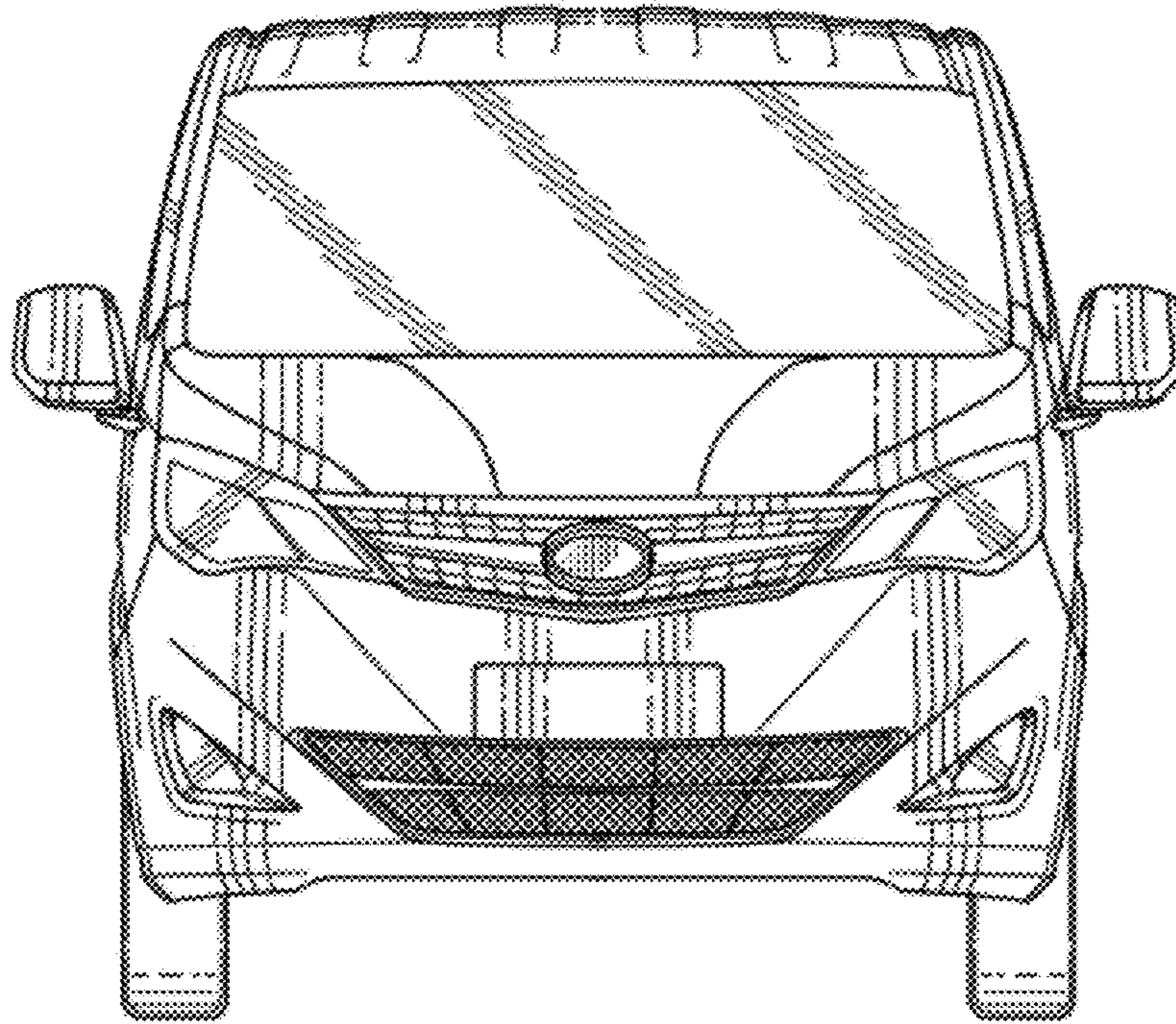


FIG. 1

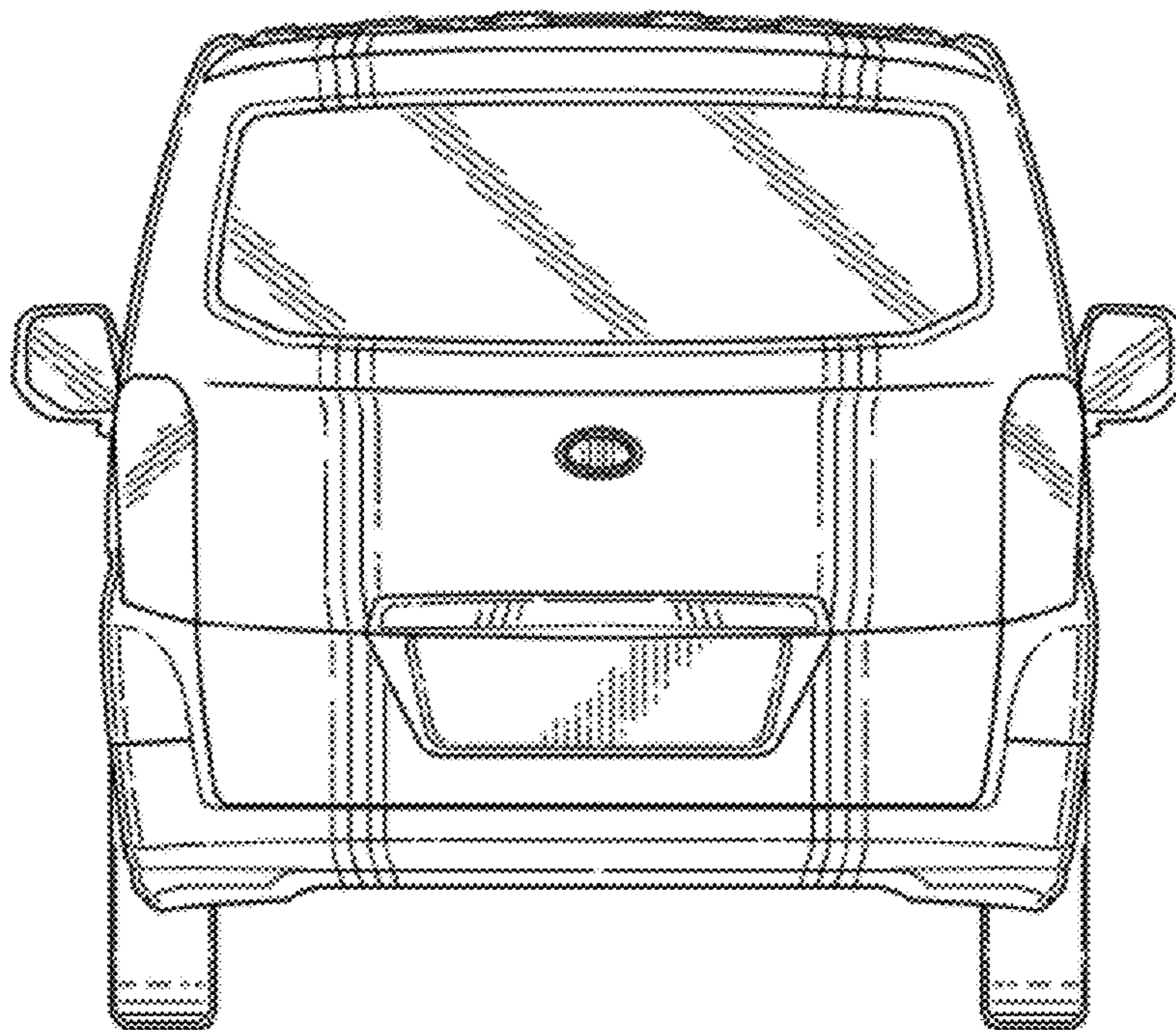


FIG. 2

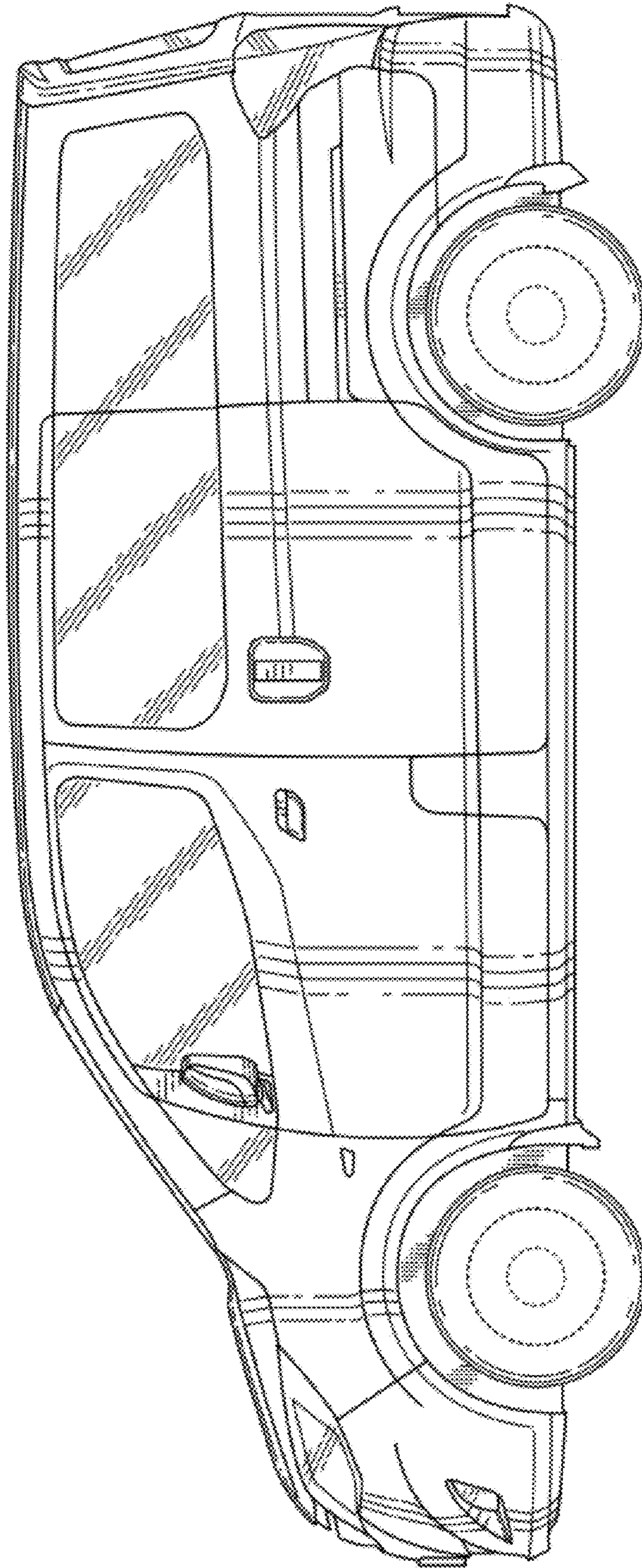


FIG. 3

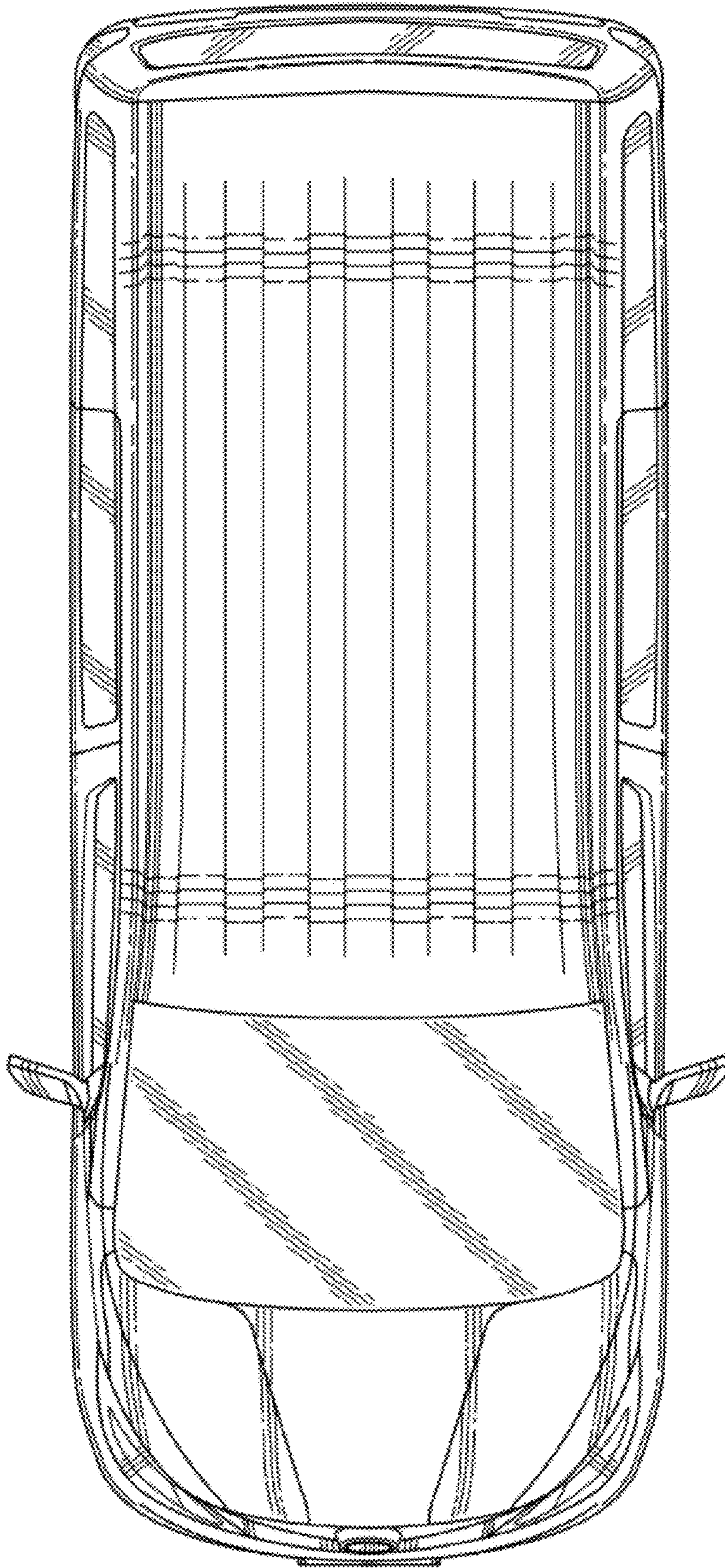


FIG. 4

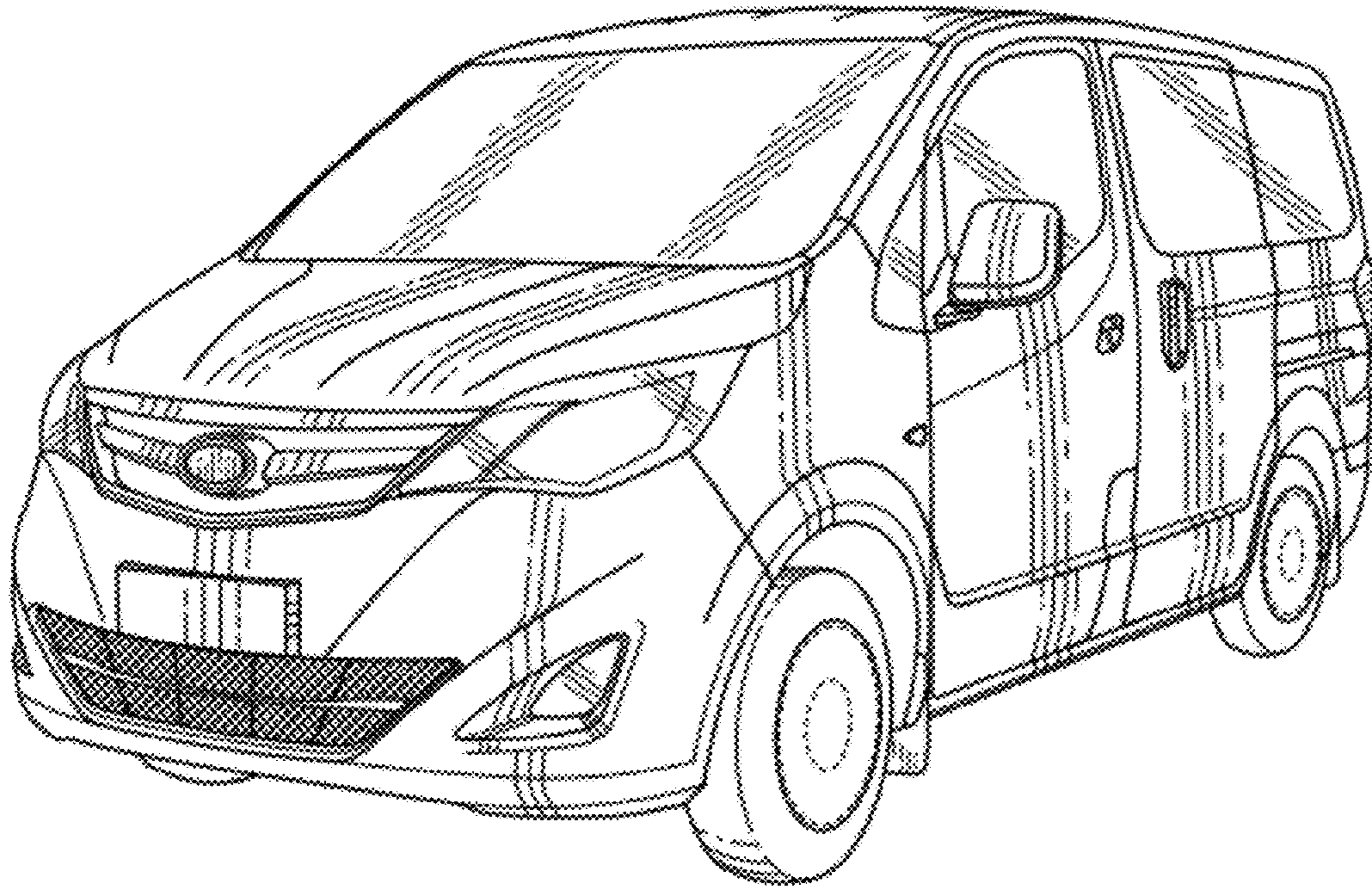


FIG. 5

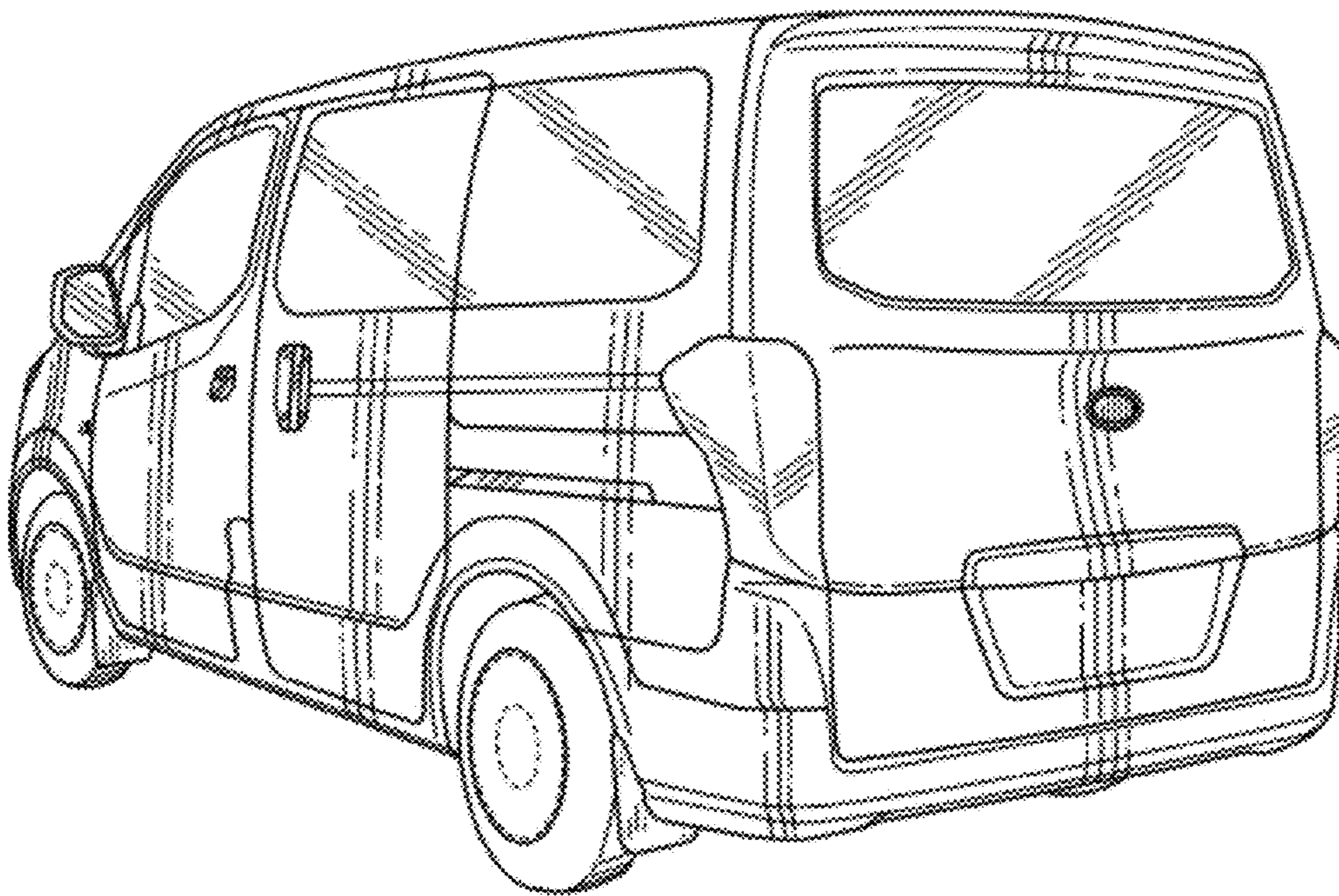


FIG. 6

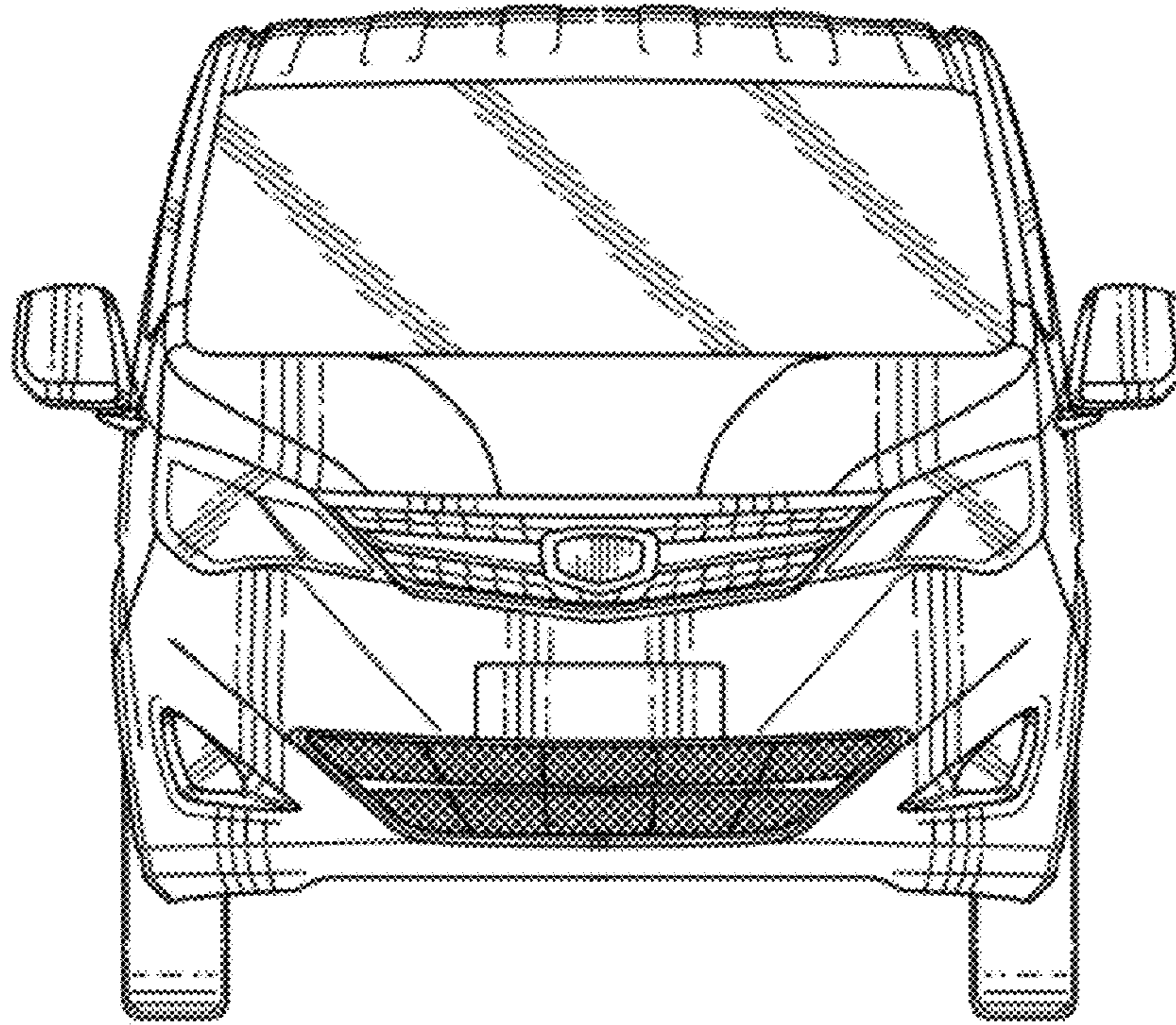


FIG. 7

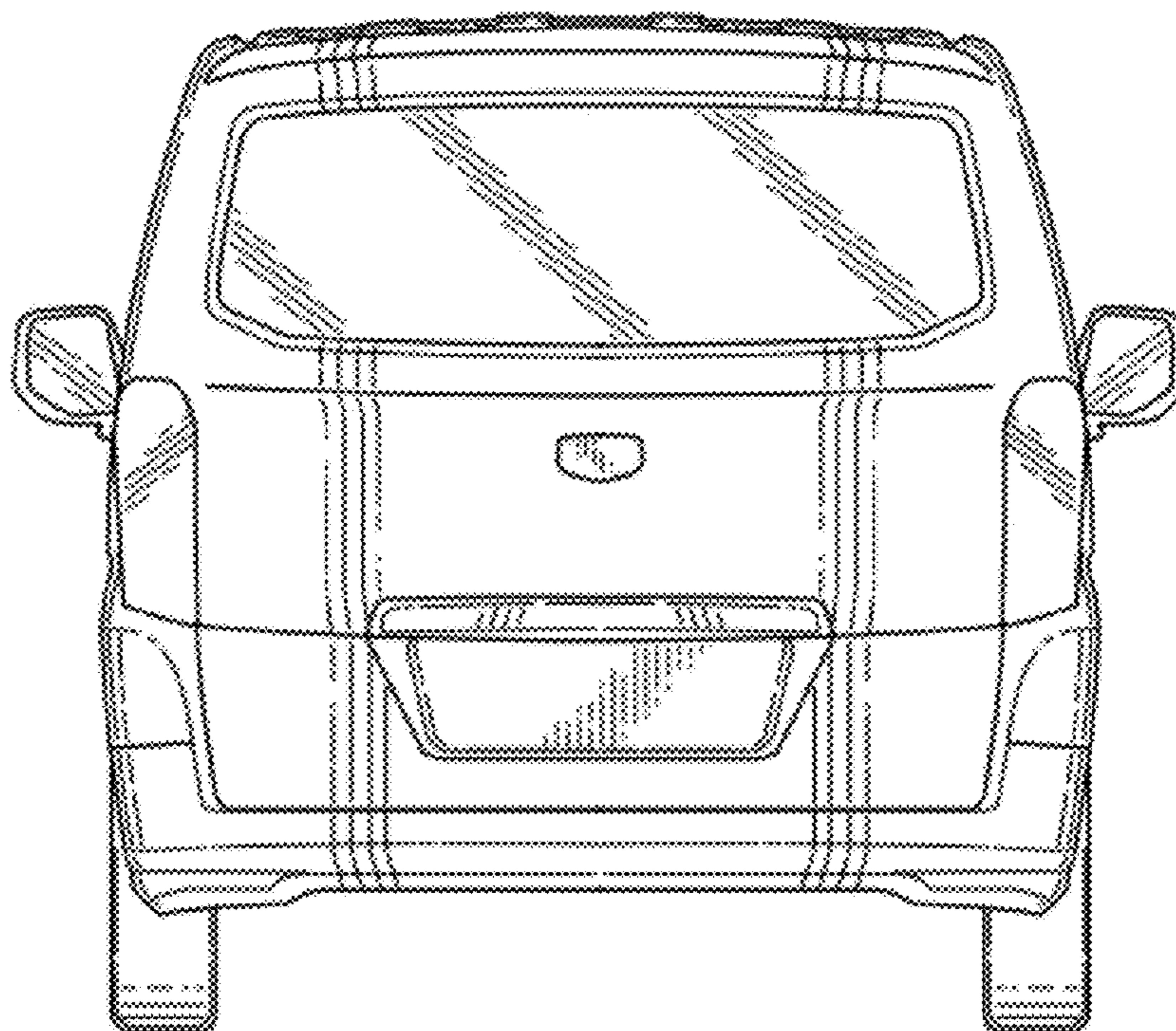


FIG. 8

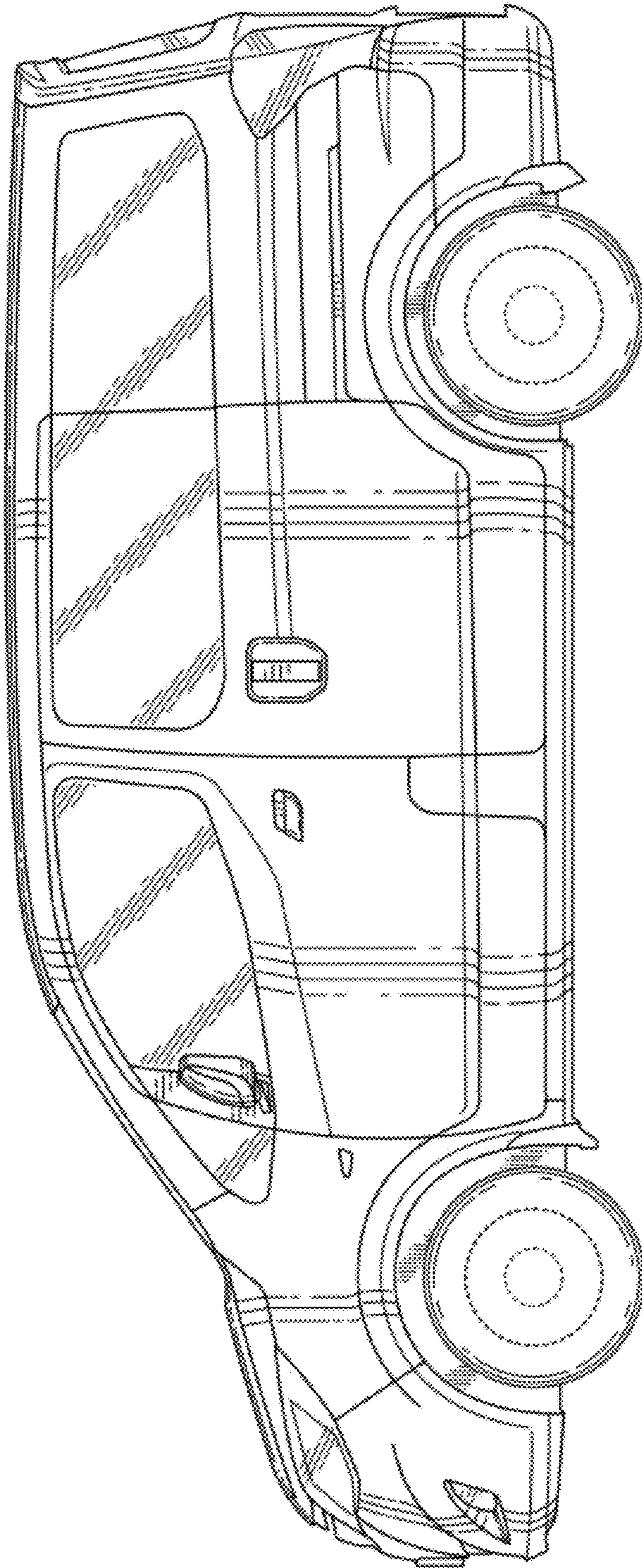


FIG. 9

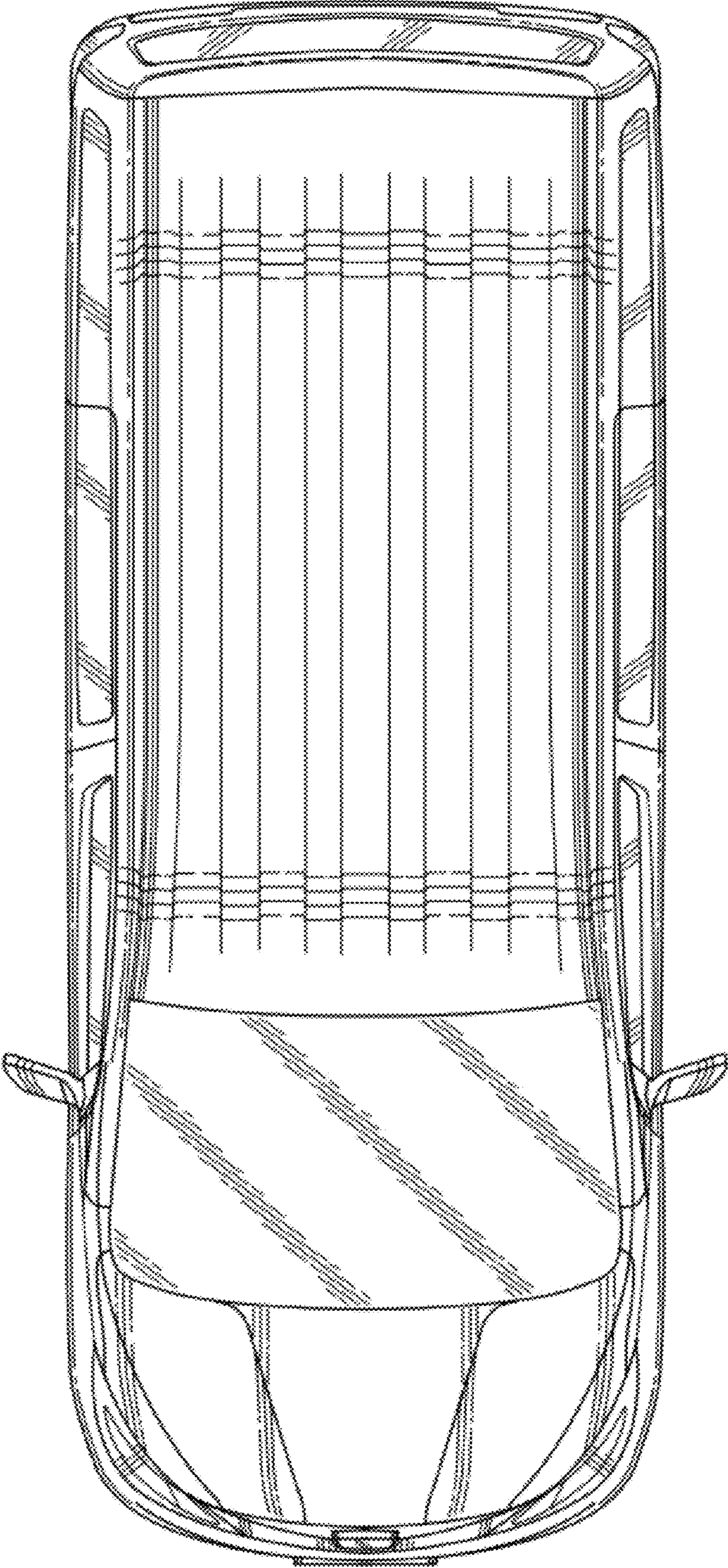


FIG. 10

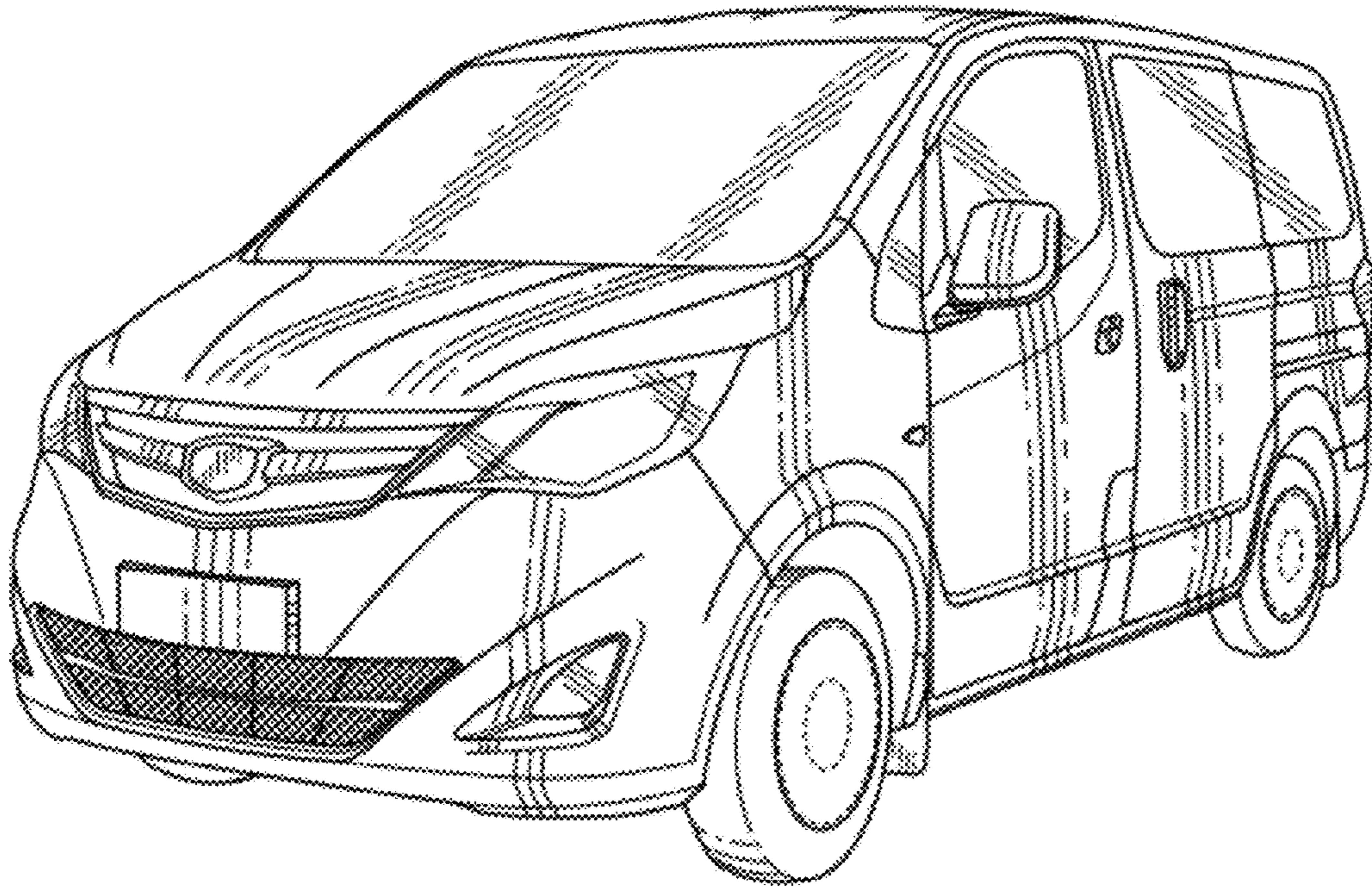


FIG. 11

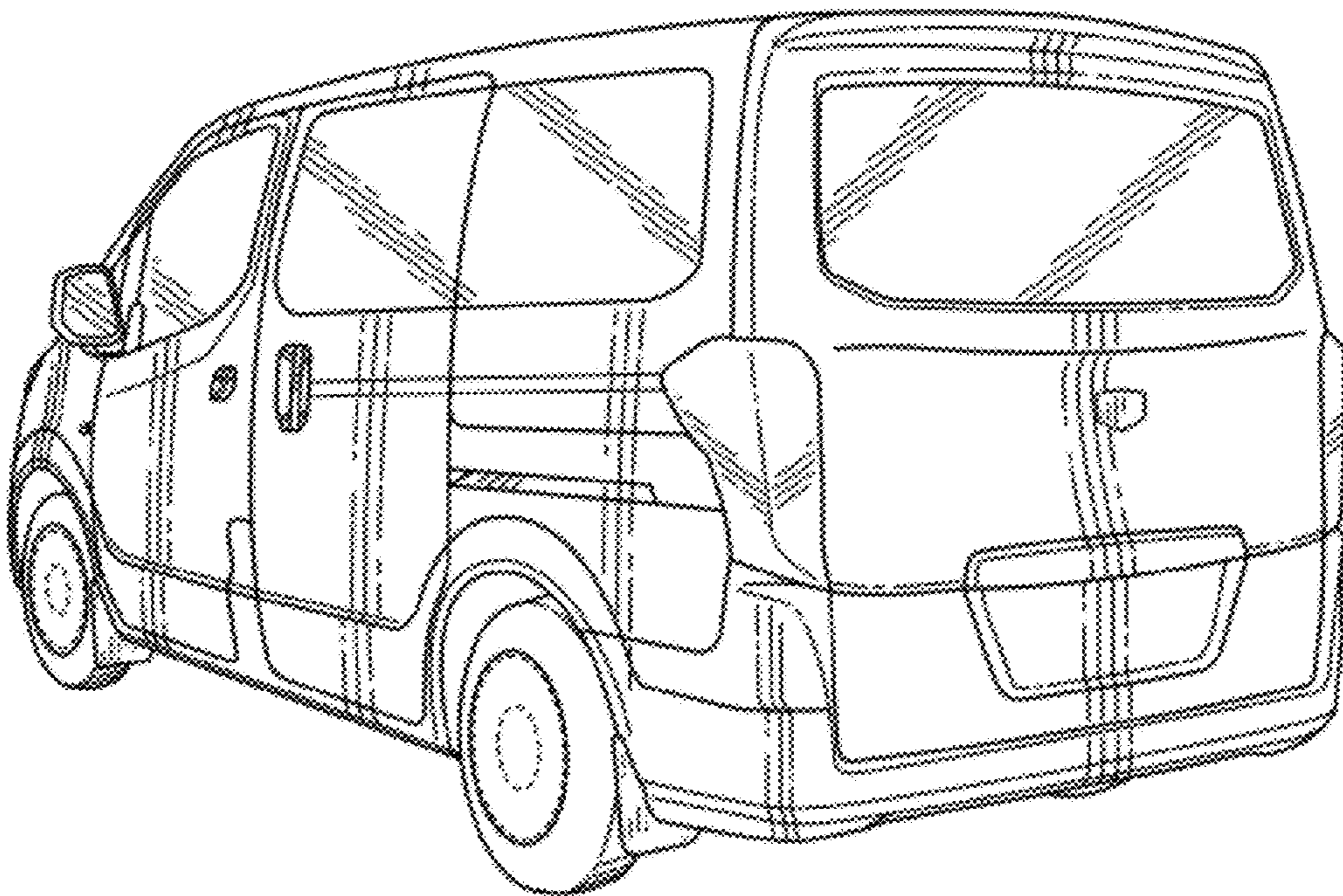


FIG. 12