



US00D666524S

(12) **United States Design Patent**
Aoyama

(10) **Patent No.:** **US D666,524 S**
(45) **Date of Patent:** **** Sep. 4, 2012**

(54) **PLANT POT**

(75) Inventor: **Matsuo Aoyama**, Minamichita-cho (JP)

(73) Assignee: **Kaneyama Co., Ltd** (JP)

(**) Term: **14 Years**

(21) Appl. No.: **29/394,243**

(22) Filed: **Jun. 15, 2011**

(30) **Foreign Application Priority Data**

Dec. 17, 2010 (JP) 2010-030182

(51) **LOC (9) Cl.** **11-02**

(52) **U.S. Cl.** **D11/153**

(58) **Field of Classification Search** D6/403-405,
D6/556-558; D8/1; D11/143-156, 164;
D19/77, 80, 81, 84; D25/100; D26/9-11,
D26/16, 19; D34/1, 2, 4-6; D99/5, 19; 47/17,
47/32.4, 32.5, 32.7, 33.39, 41.01, 41.1, 41.11-41.15,
47/44-47, 63, 65.5, 65.9, 66.1, 66.2, 66.6,
47/66.7, 67-71

See application file for complete search history.

(56) **References Cited**

U.S. PATENT DOCUMENTS

D75,829 S *	7/1928	Carlson et al.	D11/152
D167,009 S *	6/1952	Tersini	D11/152
D257,529 S *	11/1980	Raap	D11/164
D279,175 S *	6/1985	Eklöf	D11/164
5,459,960 A *	10/1995	Manlove	47/65.5
D477,791 S *	7/2003	Wells	D11/146
D557,174 S *	12/2007	Aoyama	D11/152
D564,939 S *	3/2008	Fan	D11/152
D572,168 S *	7/2008	Kurtz	D11/152
D594,775 S *	6/2009	Moreau	D11/152

D604,665 S *	11/2009	Aoyama	D11/152
7,818,918 B2 *	10/2010	Smith et al.	47/66.7
D631,391 S *	1/2011	Aoyama	D11/152

FOREIGN PATENT DOCUMENTS

JP	1038813	3/1999
JP	1112561	4/2001
JP	1151681	7/2002
JP	1199169	1/2004

* cited by examiner

Primary Examiner — Garth Rademaker

(74) *Attorney, Agent, or Firm* — Sherrill Law Offices, PLLC

(57) **CLAIM**

The ornamental design for a plant pot, as shown and described.

DESCRIPTION

FIG. 1 is a front elevation view of a plant pot showing our new design;

FIG. 2 is a rear elevation view thereof;

FIG. 3 is a right side elevation view thereof;

FIG. 4 is a top plan view thereof;

FIG. 5 is a bottom plan view thereof;

FIG. 6 is a cross-section view thereof, taken along line VI-VI in FIG. 4;

FIG. 7 is a cross-section view thereof, taken along line VII-VII in FIG. 4;

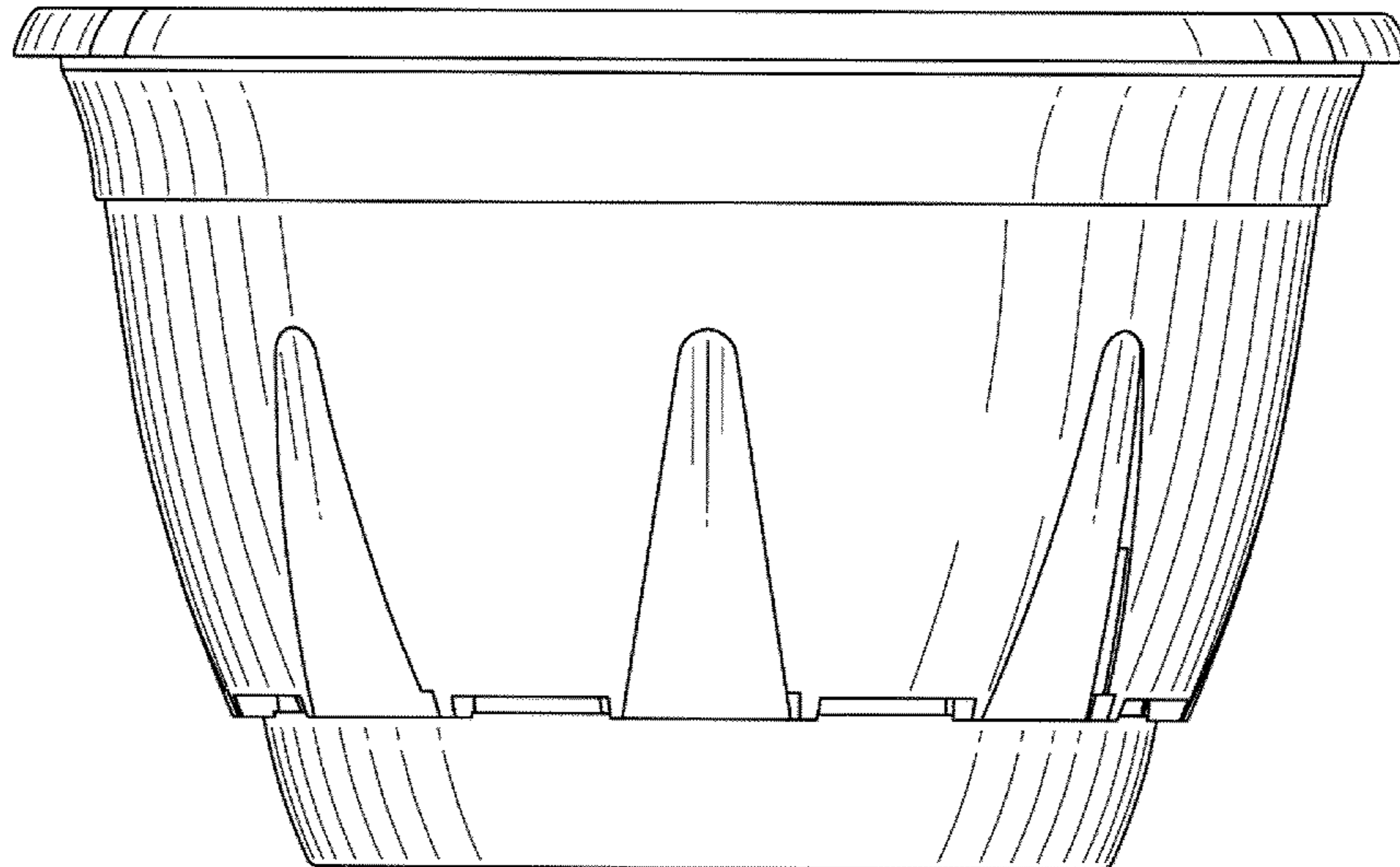
FIG. 8 is a partial enlarged view of FIG. 4;

FIG. 9 is a cross-section view thereof, taken along line IX-IX in FIG. 1; and,

FIG. 10 is a cross-section view thereof, taken along line X-X in FIG. 1.

The broken lines shown in the drawings represent unclaimed portions of the plant pot and form no part of the claimed design.

1 Claim, 10 Drawing Sheets



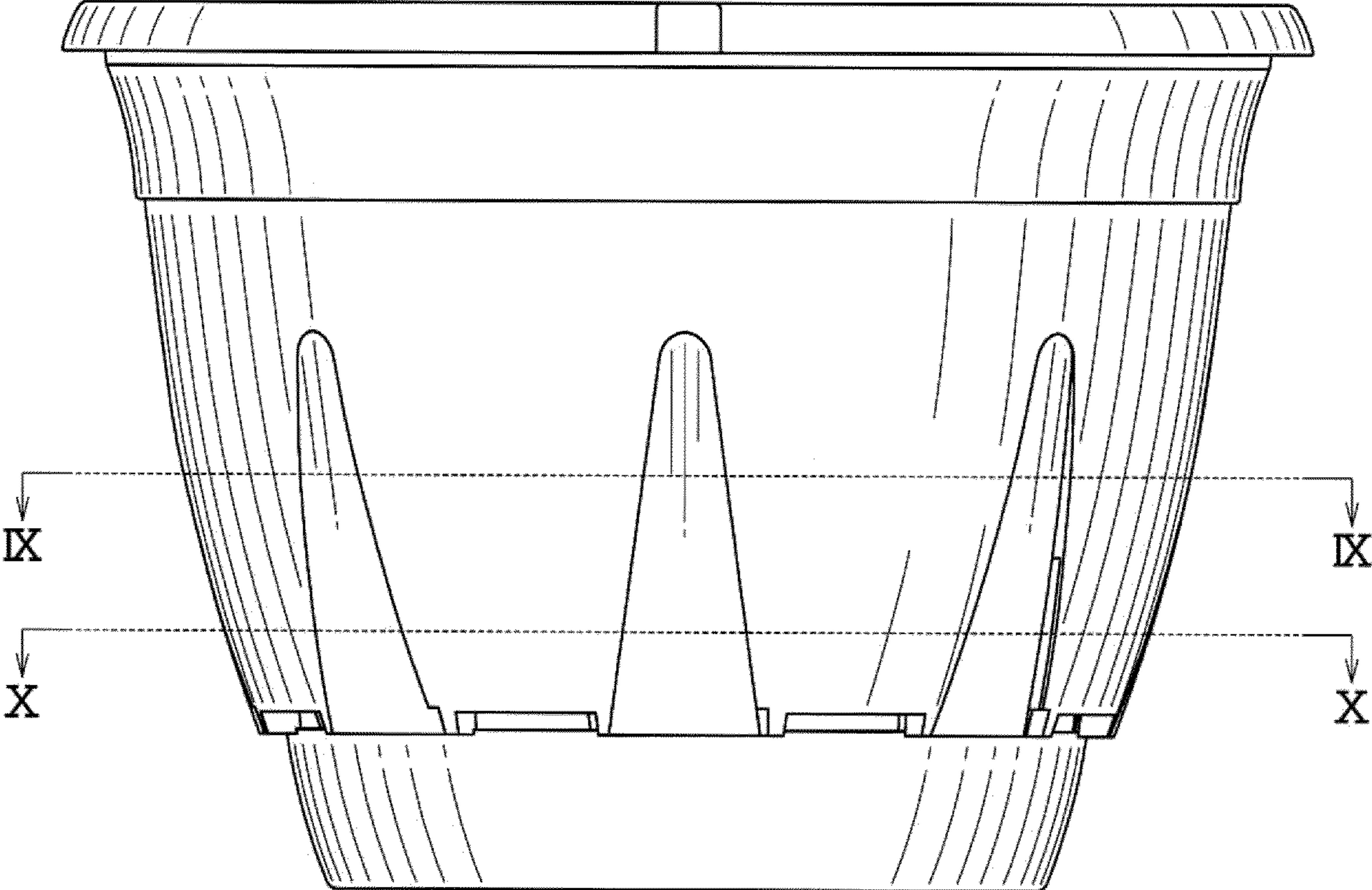


FIG. 1

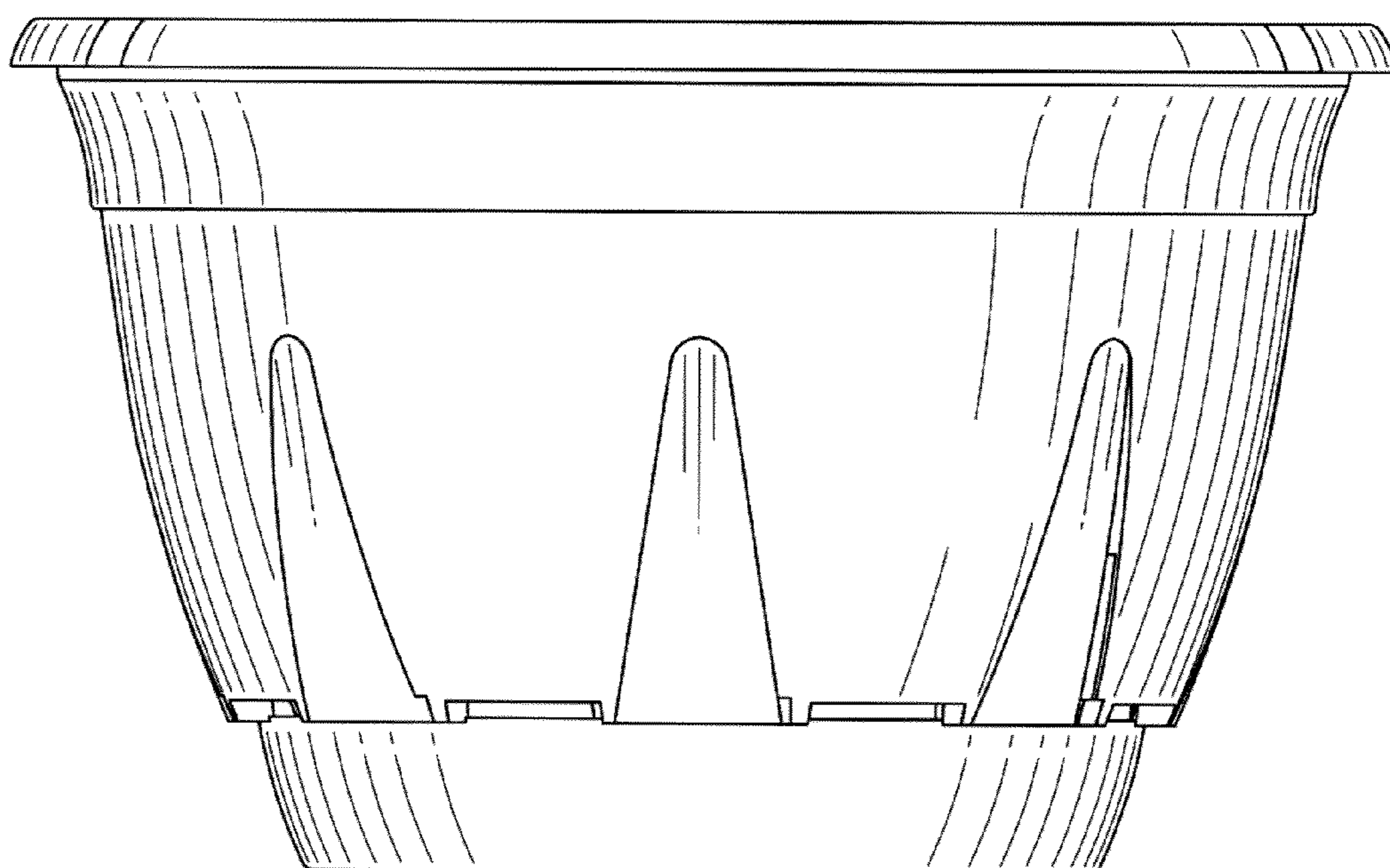


FIG. 2

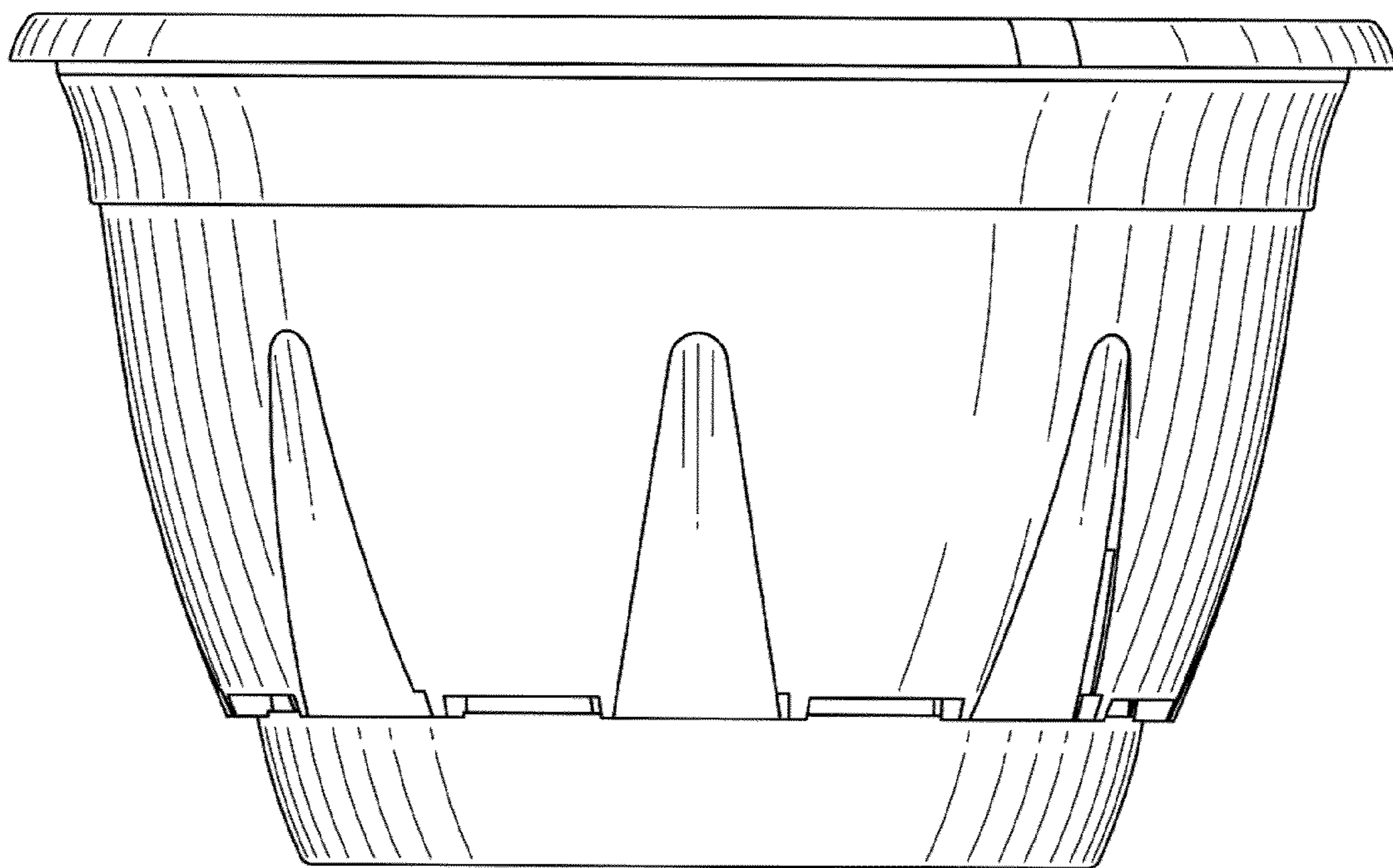


FIG. 3

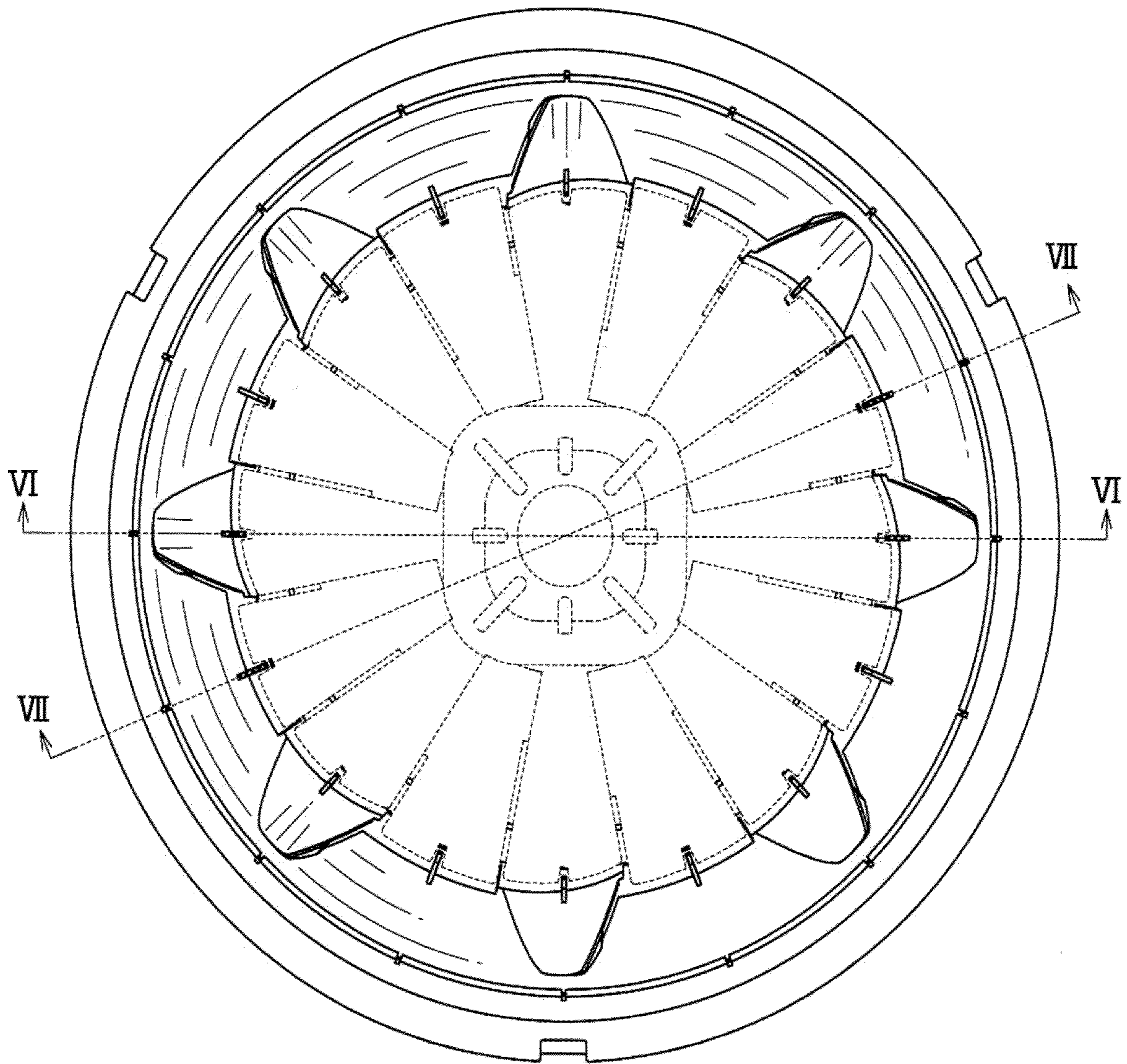


FIG. 4

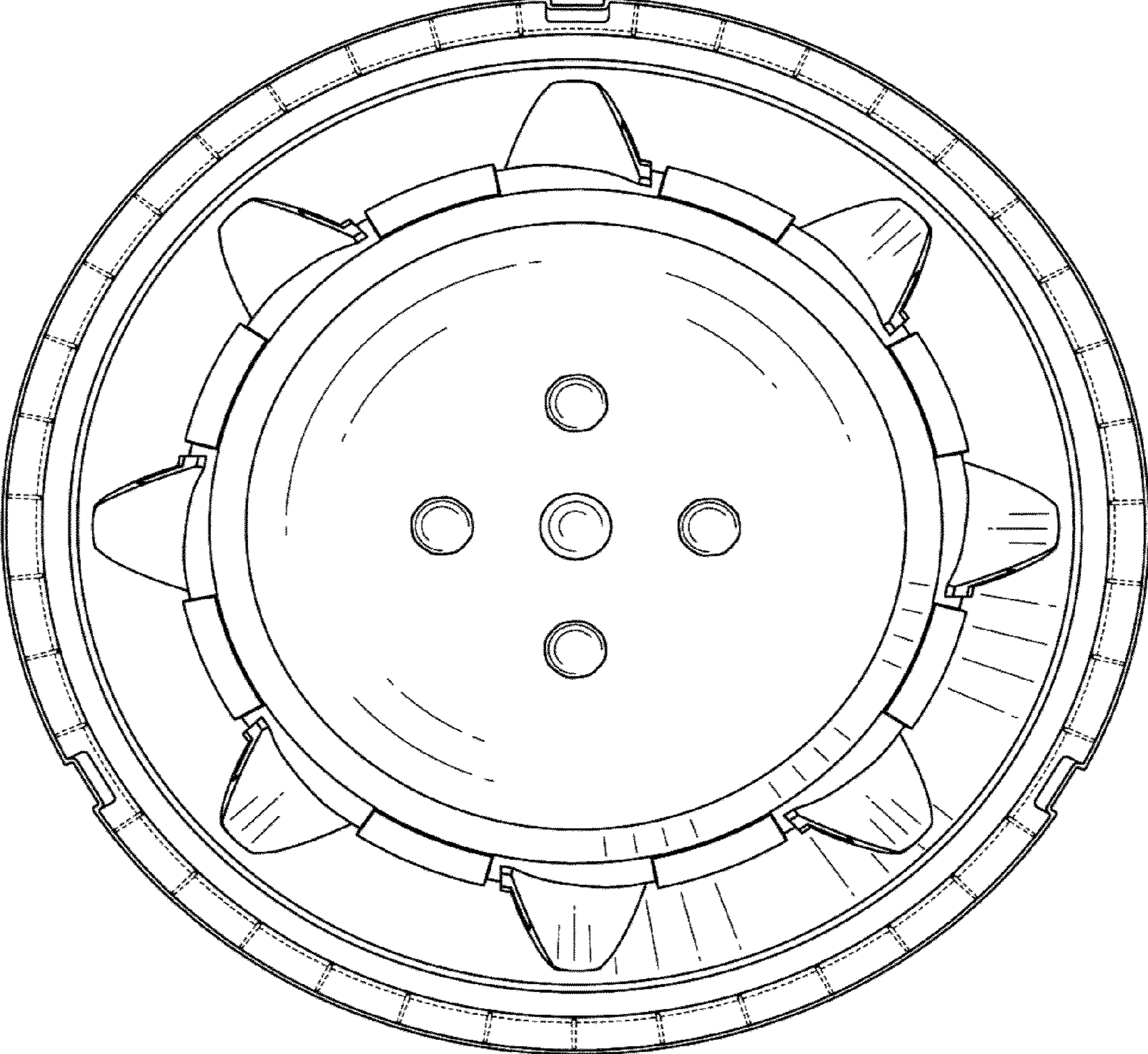


FIG. 5

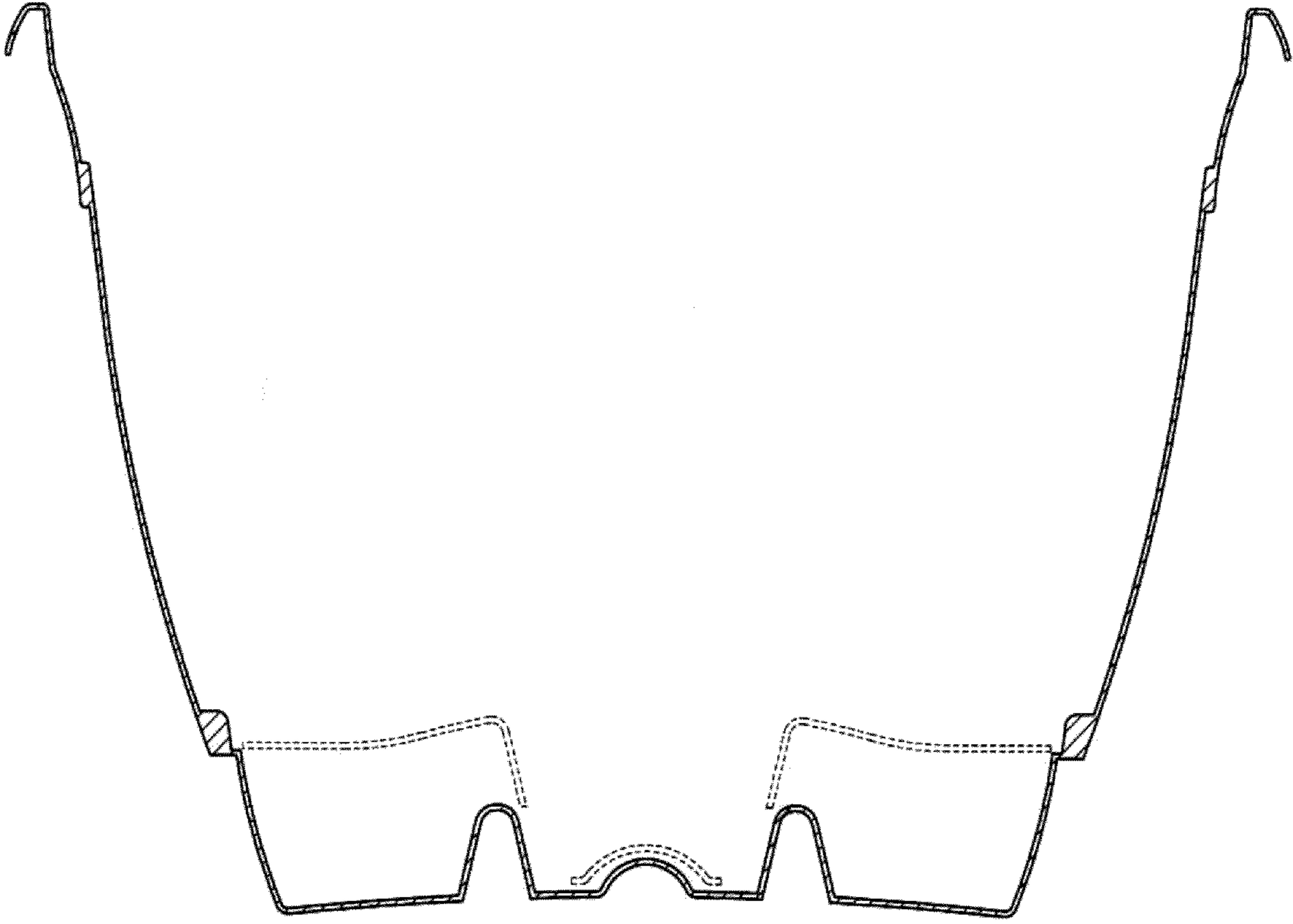


FIG. 6

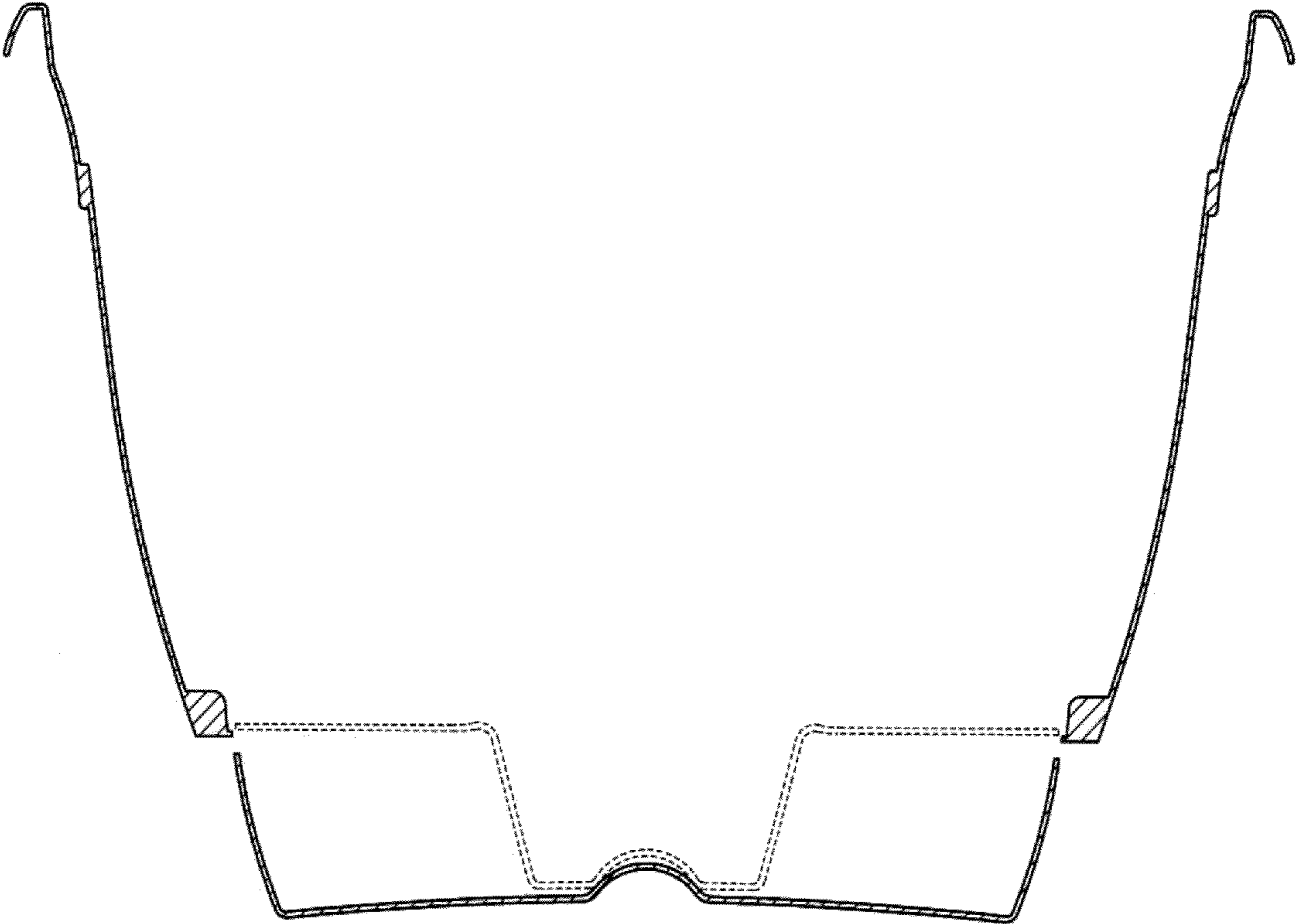


FIG. 7

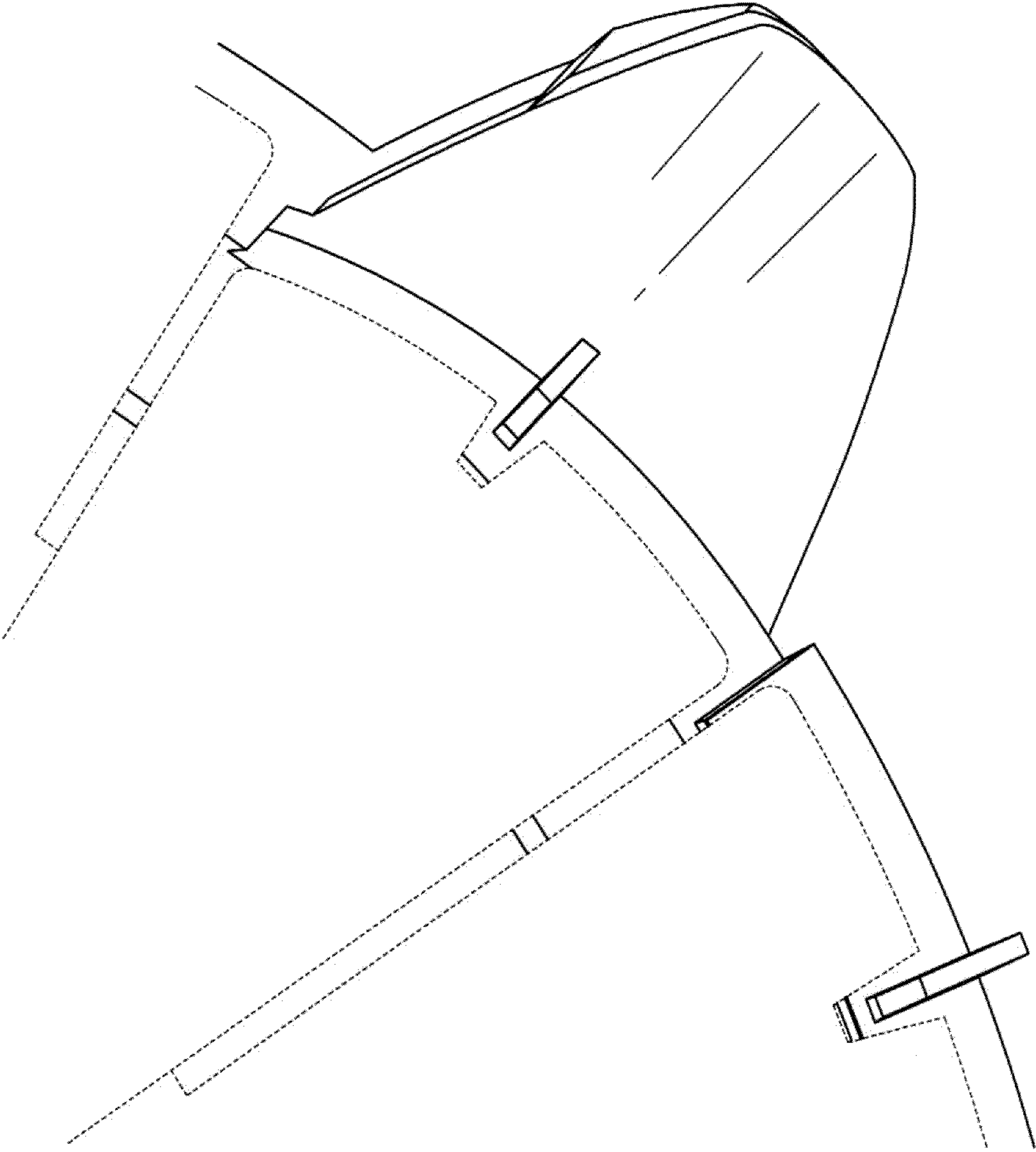


FIG. 8

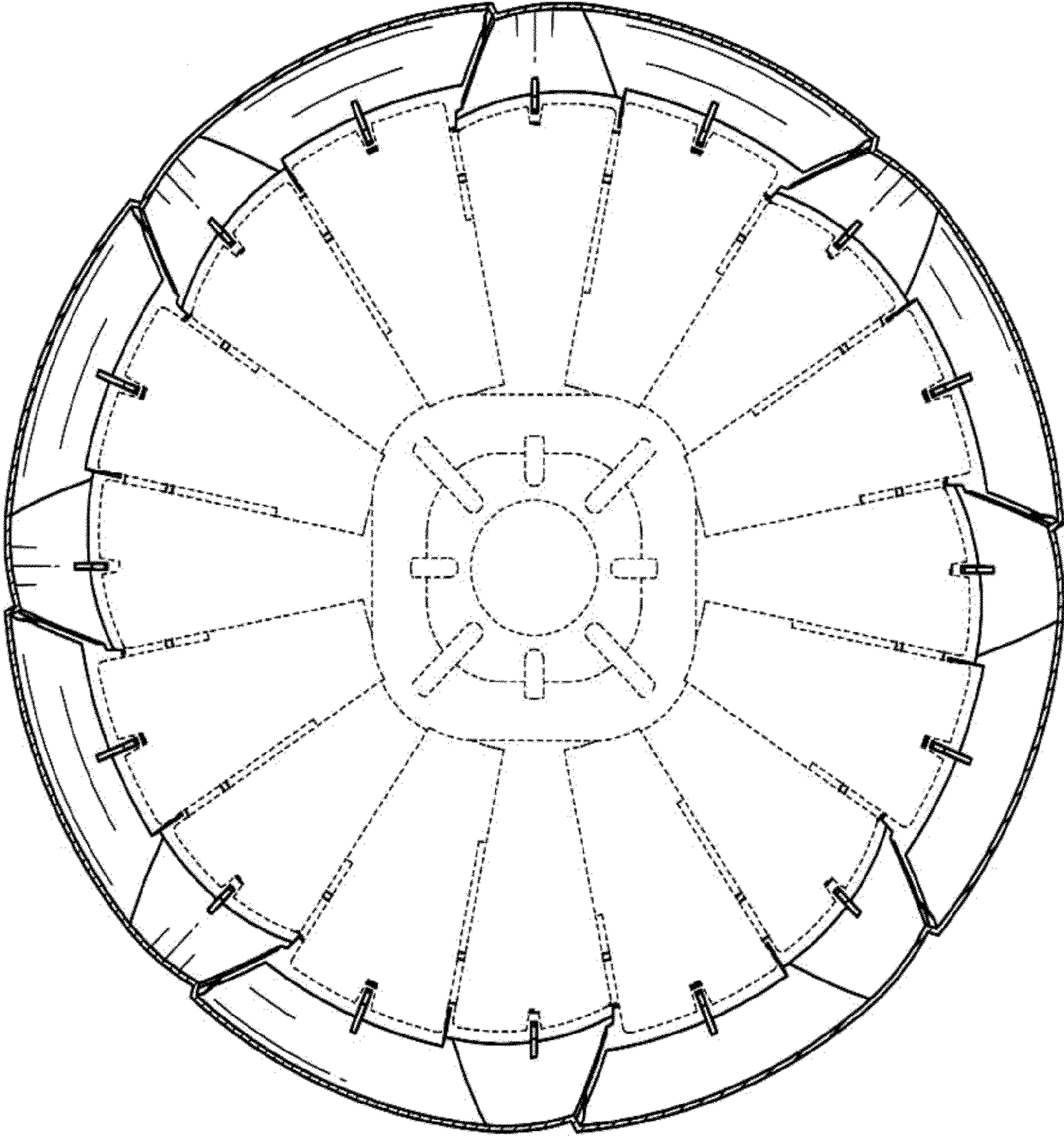


FIG. 9

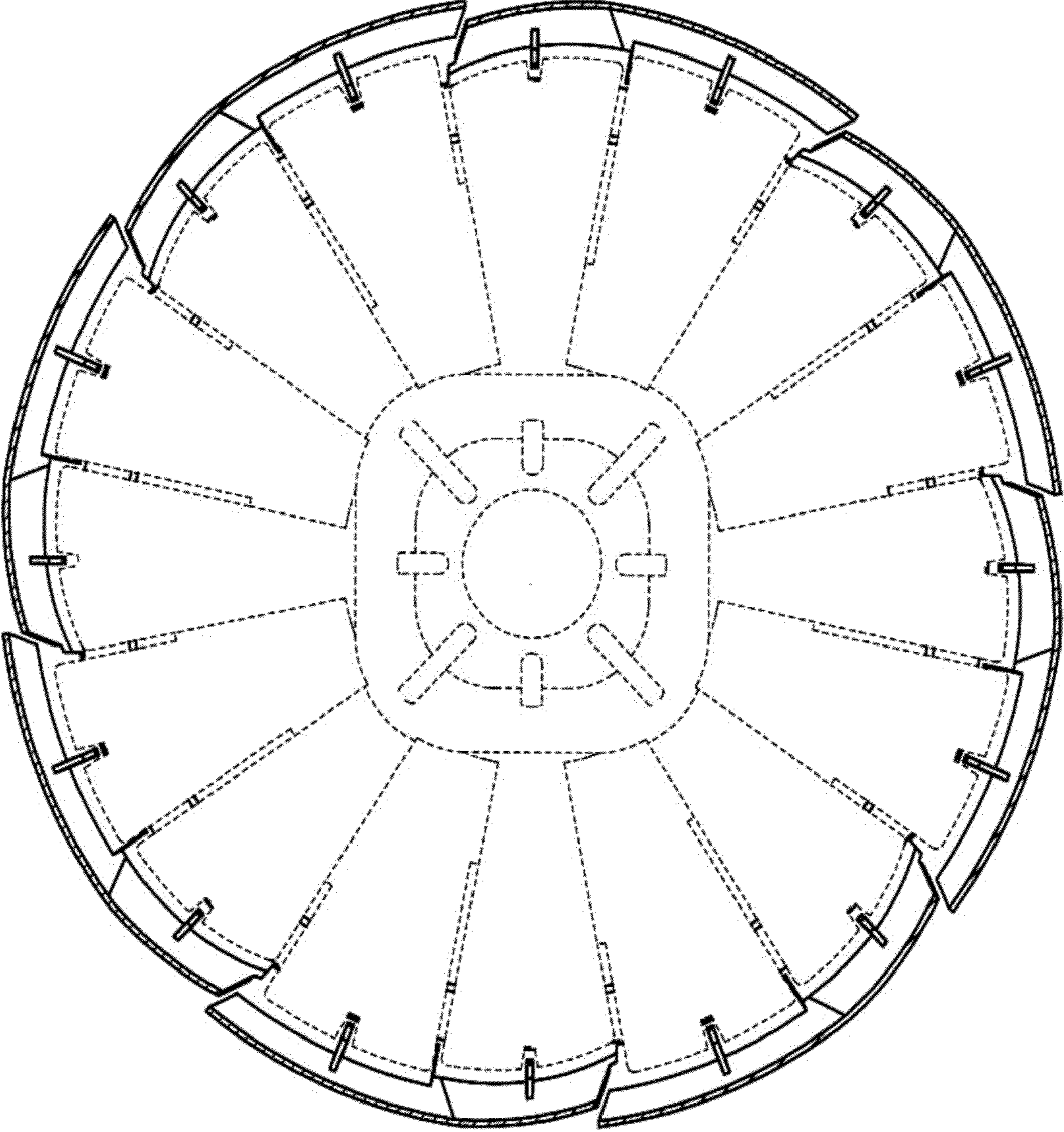


FIG. 10