



US00D666518S

(12) **United States Design Patent**  
**Williamson et al.**

(10) **Patent No.:** **US D666,518 S**  
(45) **Date of Patent:** **\*\* Sep. 4, 2012**

(54) **WATER METER**

(75) Inventors: **Walter Scott Williamson**, Lewisville, TX (US); **James Scott Williamson**, Denton, TX (US); **Jack Ryan Williamson**, Lewisville, TX (US); **Kevin Peter Kowalchuk**, Ontario (CA); **David James Carlos Dunn**, Ontario (CA)

(73) Assignee: **Capstone Metering LLC**, Flower Mound, TX (US)

(\*\*) Term: **14 Years**

(21) Appl. No.: **29/412,211**

(22) Filed: **Jan. 31, 2012**

**Related U.S. Application Data**

(63) Continuation of application No. 13/359,920, filed on Jan. 27, 2012, which is a continuation-in-part of application No. PCT/US2009/052426, filed on Jul. 31, 2009.

(51) **LOC (9) Cl.** ..... **10-04**

(52) **U.S. Cl.** ..... **D10/99**

(58) **Field of Classification Search** ..... D10/99;  
73/195-203, 264, 272 R-274, 276, 861.33,  
73/861.77, 861.75, 861.79; 137/343; 241/205,  
241/208

See application file for complete search history.

(56) **References Cited**

**U.S. PATENT DOCUMENTS**

D51,156 S	8/1917	Towle
D183,015 S	6/1958	Newbury et al.
3,894,433 A	7/1975	Riester et al.
4,237,454 A	12/1980	Meyer
4,523,480 A	6/1985	Inoue
D348,018 S	6/1994	Poleshuk et al.
D349,252 S	8/1994	Hurd
D349,661 S	8/1994	DeJarlais et al.
D358,782 S	5/1995	Louwagie et al.

5,655,568 A	8/1997	Bhargava et al.
5,659,300 A	8/1997	Dresselhuys et al.
D384,300 S	9/1997	Hendy
D469,707 S	2/2003	Schwartz et al.
D472,835 S	4/2003	Hendey
D486,409 S	2/2004	Grant
6,789,419 B2	9/2004	Hennebelle
6,898,987 B1	5/2005	Hayman

(Continued)

**FOREIGN PATENT DOCUMENTS**

EP 1858144 A2 11/2007

(Continued)

*Primary Examiner* — Antoine D Davis

(74) *Attorney, Agent, or Firm* — Winstead PC

(57) **CLAIM**

The ornamental design for water meter, as shown and described.

**DESCRIPTION**

FIG. 1 is a side view of a water meter in accordance with the design;

FIG. 2 is a top plan view of the water meter in accordance with the design;

FIG. 3 is a side view of the water meter in accordance with the design;

FIG. 4 is a perspective view of the water meter in accordance with the design;

FIG. 5 is a top plan view of the water meter in accordance with the design;

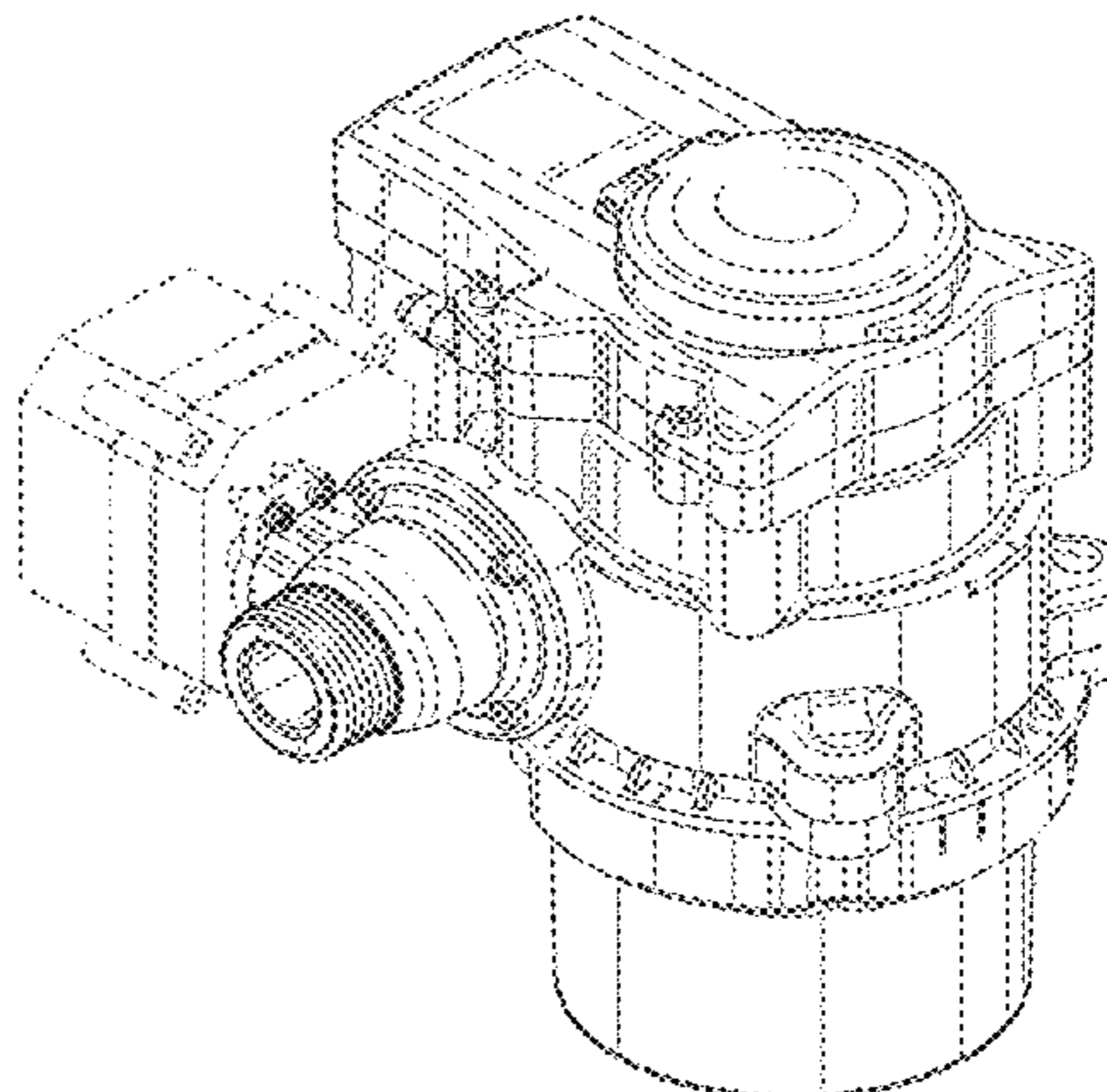
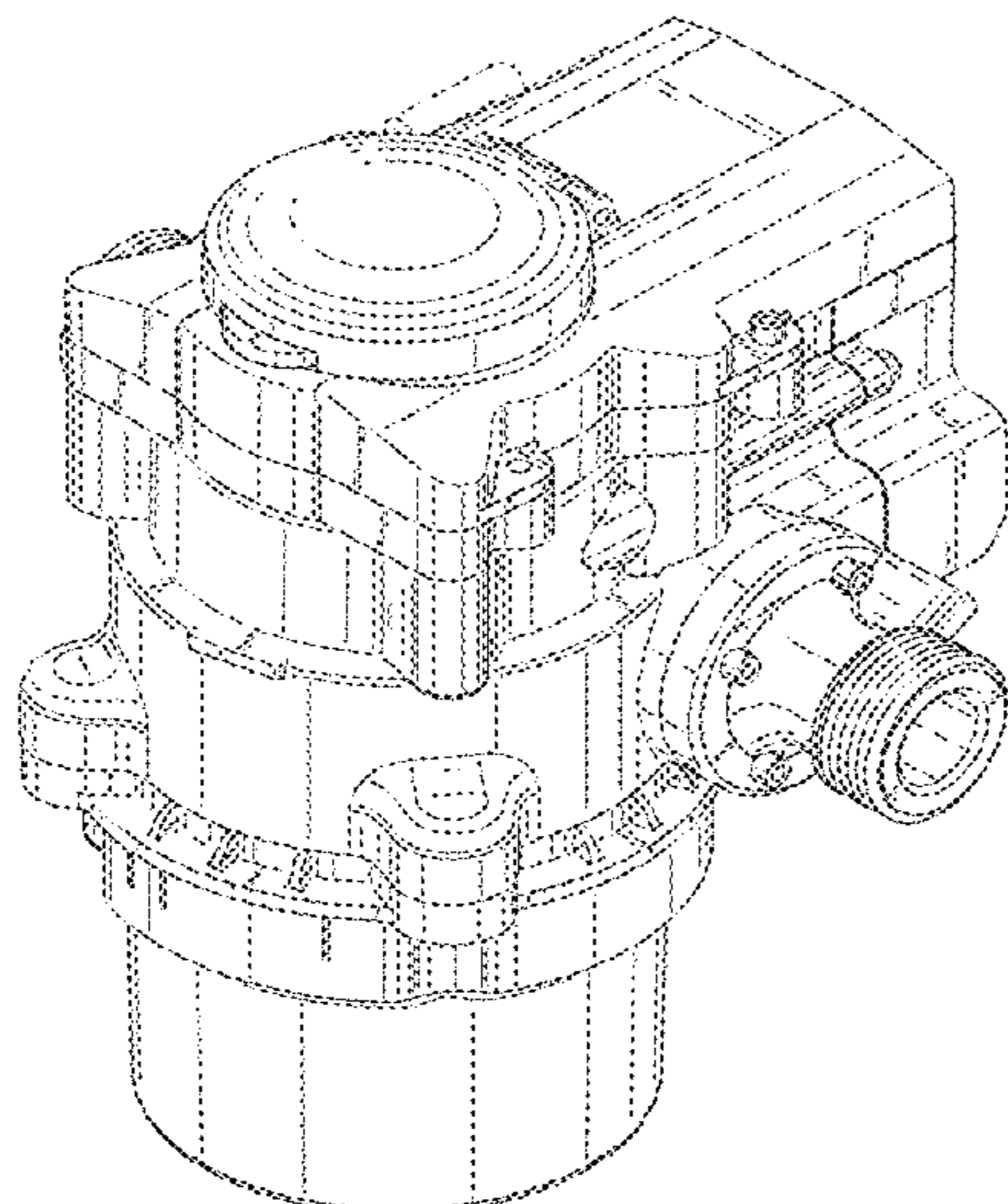
FIG. 6 is a side view of the water meter in accordance with the design;

FIG. 7 is a perspective view of the water meter in accordance with the design; and,

FIG. 8 is a perspective view of the water meter in accordance with the design.

The broken line showing of structural features is included for the purpose of illustrating non-claimed subject matter and forms no part of the claimed design.

**1 Claim, 8 Drawing Sheets**



# US D666,518 S

Page 2

---

## U.S. PATENT DOCUMENTS

6,931,946 B1 8/2005 Henhey  
D559,717 S 1/2008 Henhey  
D560,132 S 1/2008 Henhey  
D582,814 S 12/2008 Ball et al.  
D583,692 S 12/2008 Ball et al.

D645,770 S 9/2011 Margalit et al.  
2002/0083778 A1 7/2002 Hamilton  
2004/0261523 A1 12/2004 Cognot

## FOREIGN PATENT DOCUMENTS

WO WO-0107783 A1 2/2001

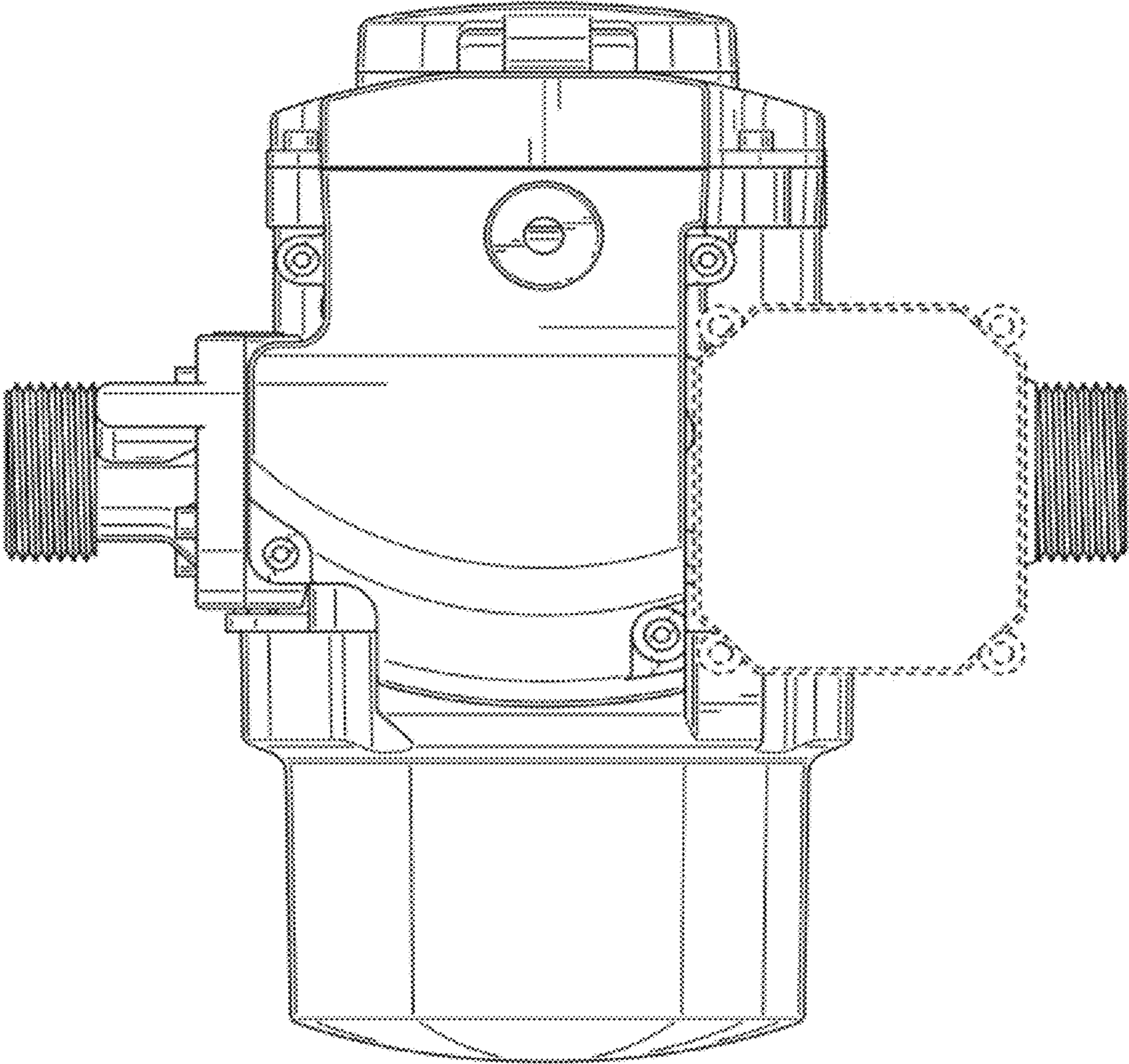


FIG. 1

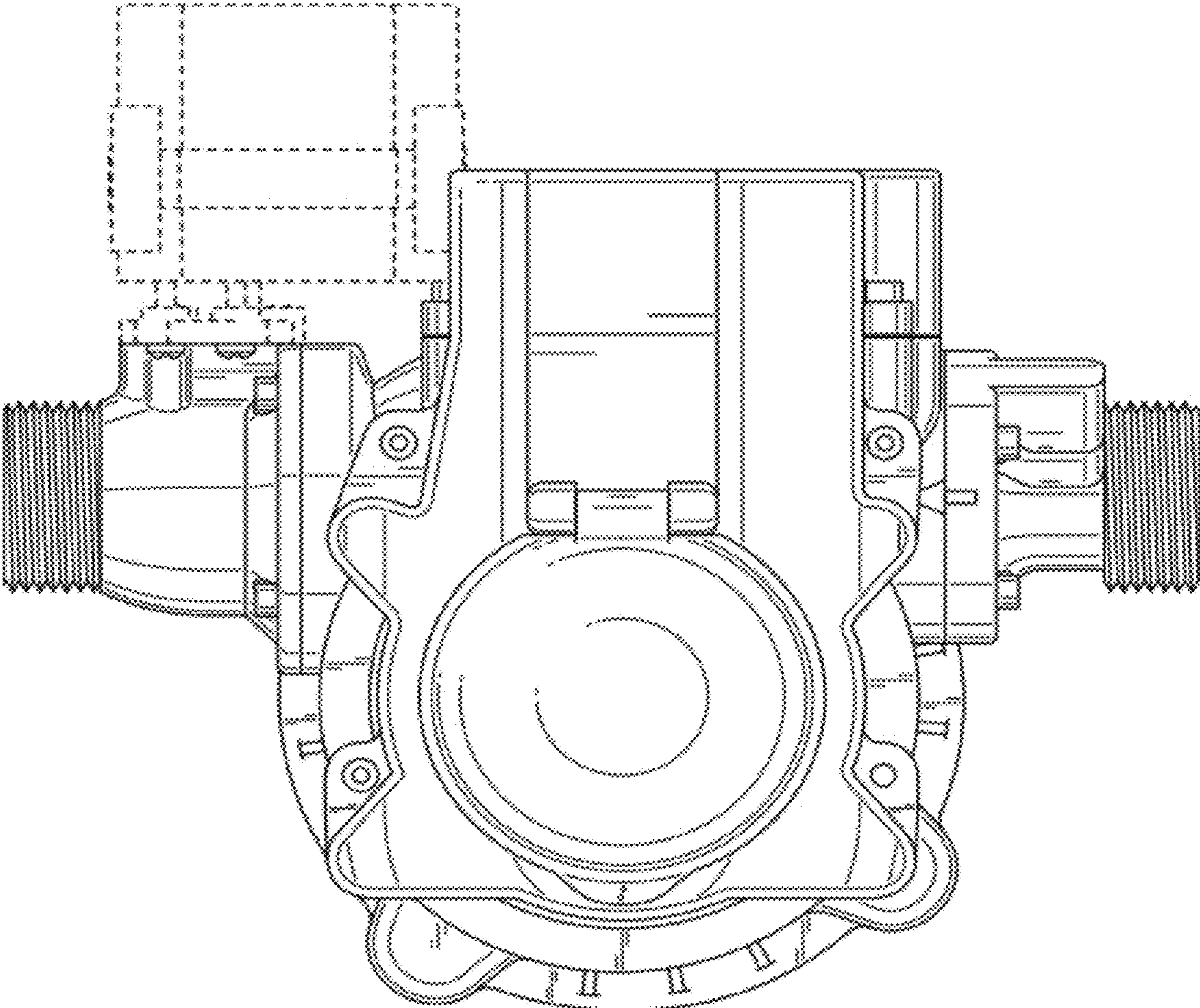


FIG. 2

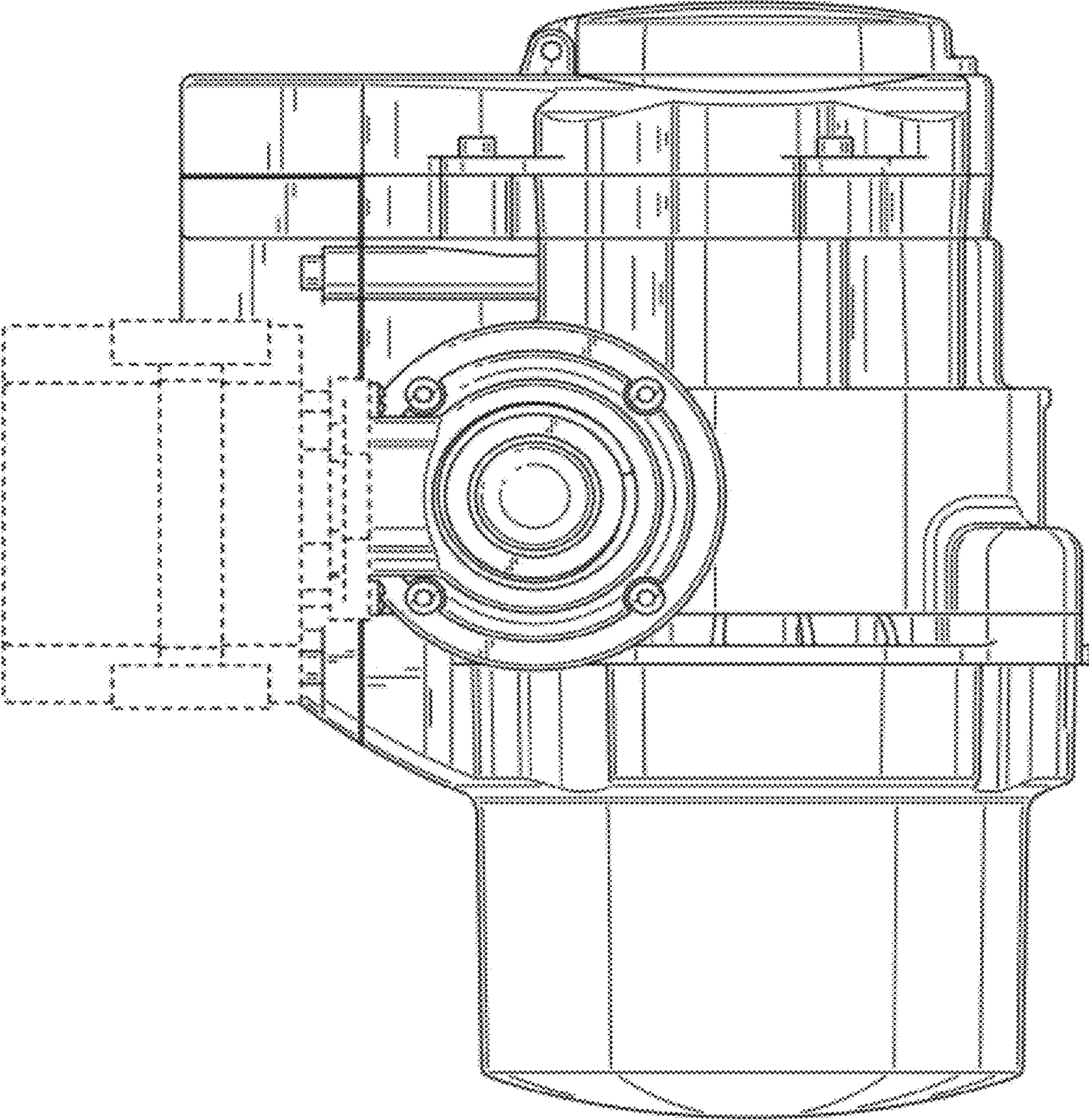


FIG. 3

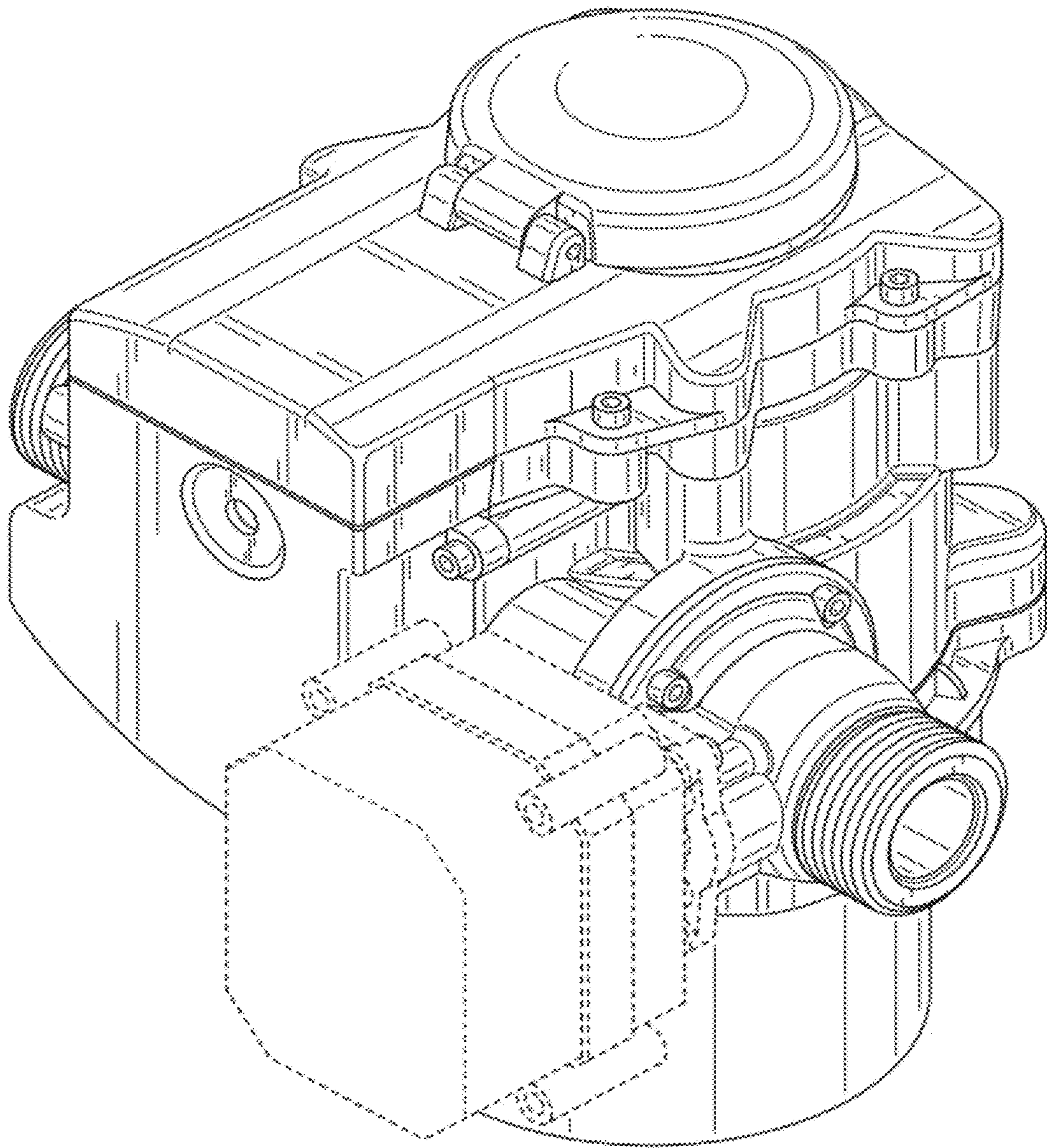


FIG. 4

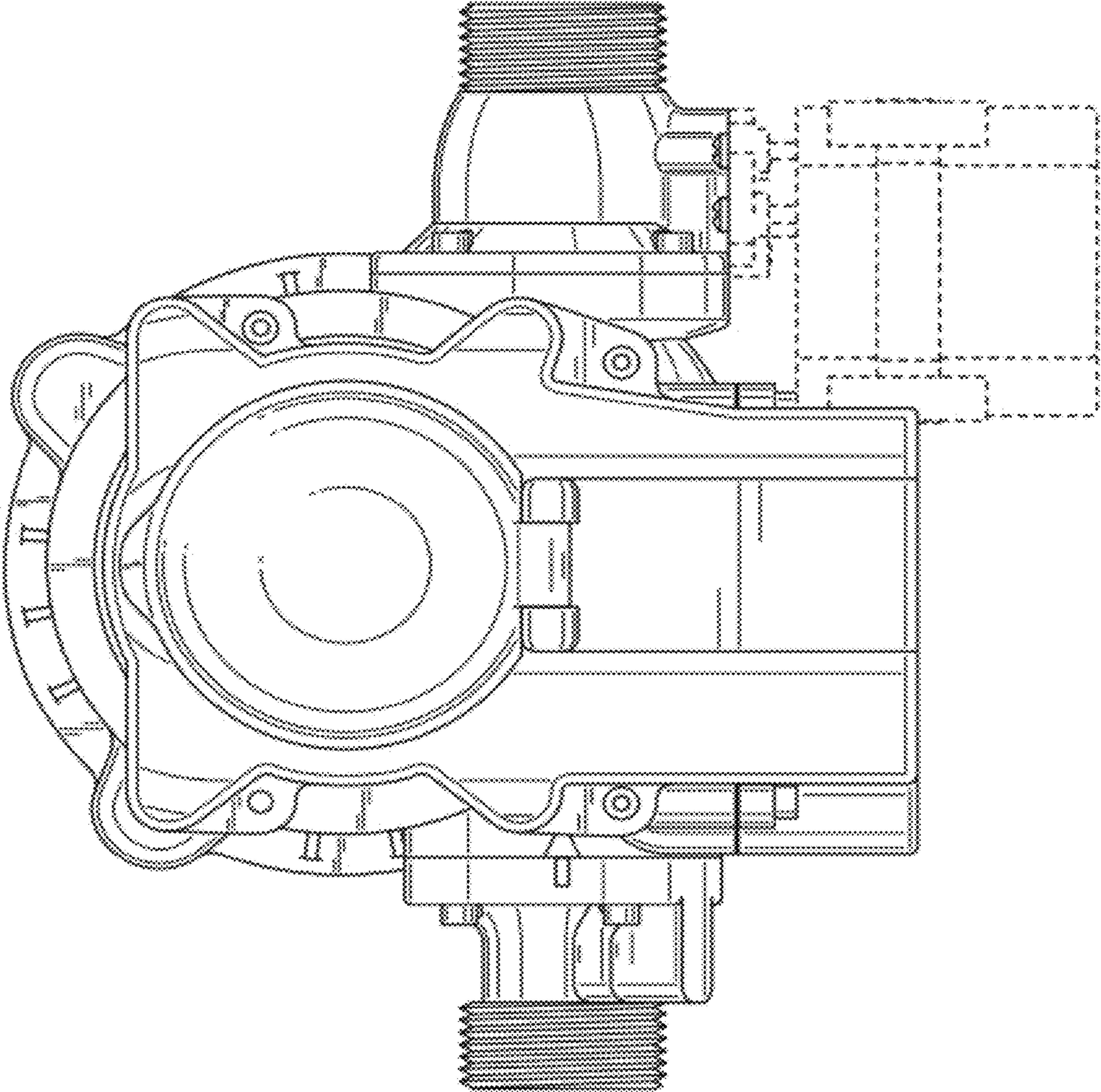


FIG. 5

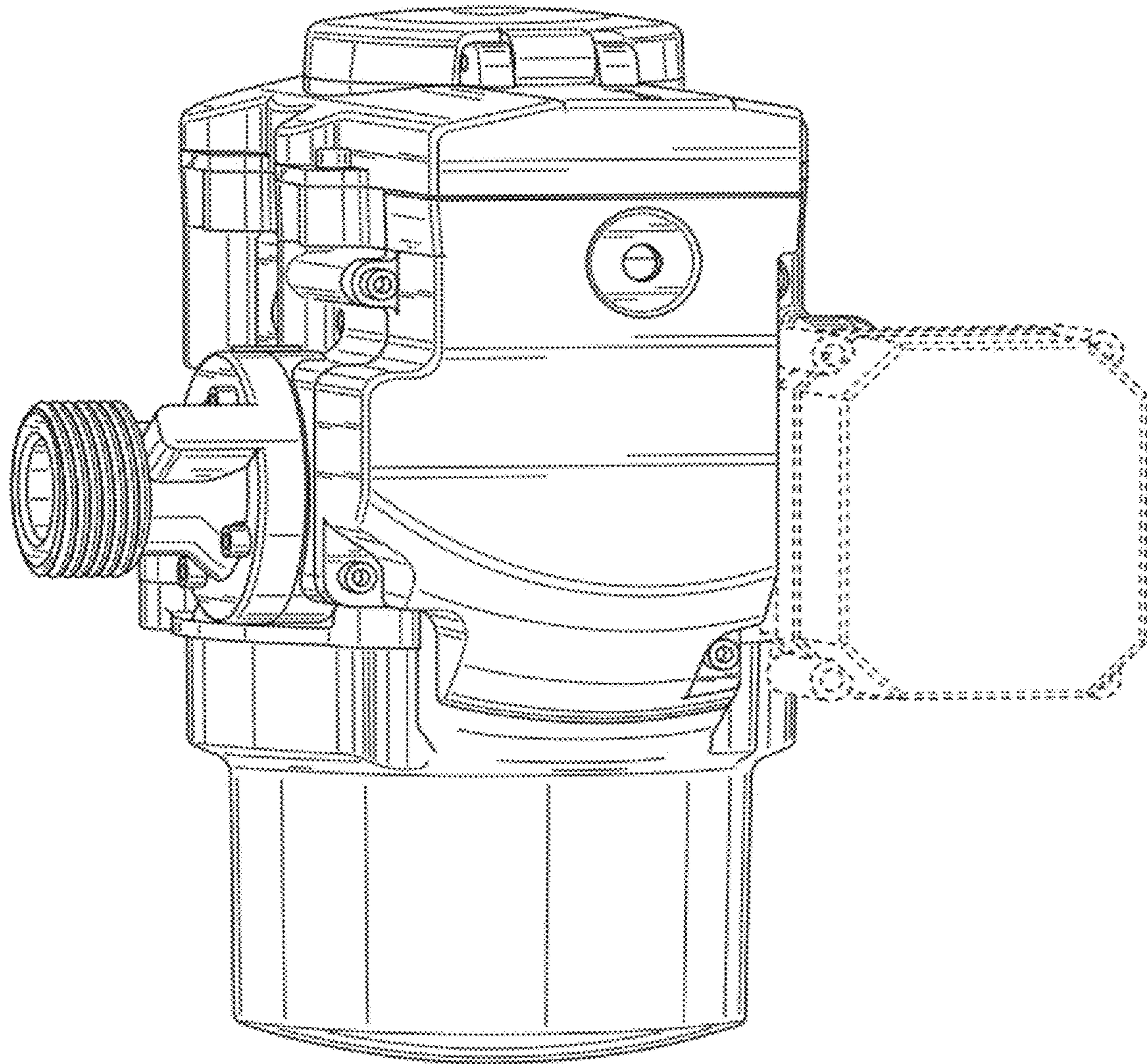


FIG. 6



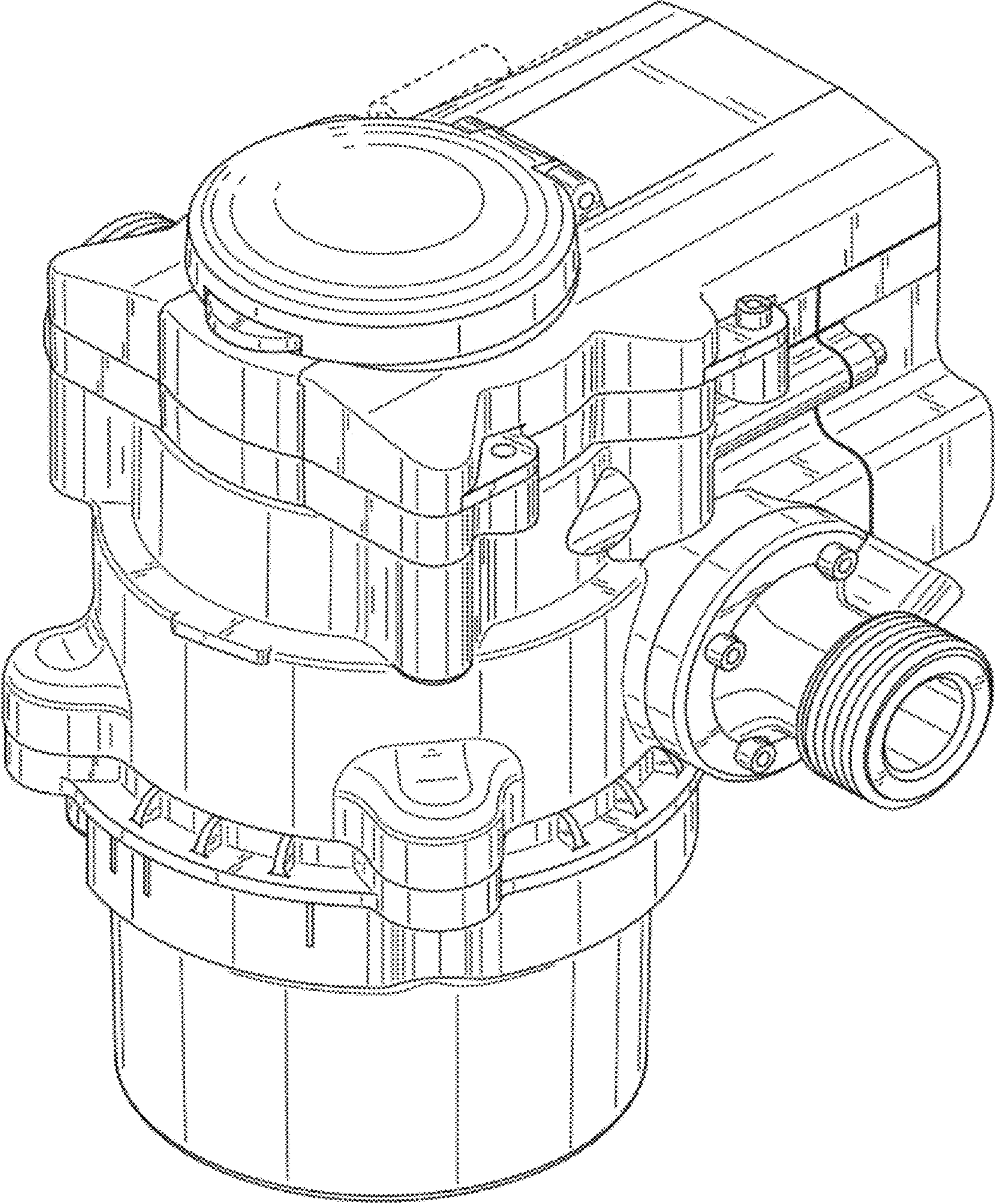


FIG. 7

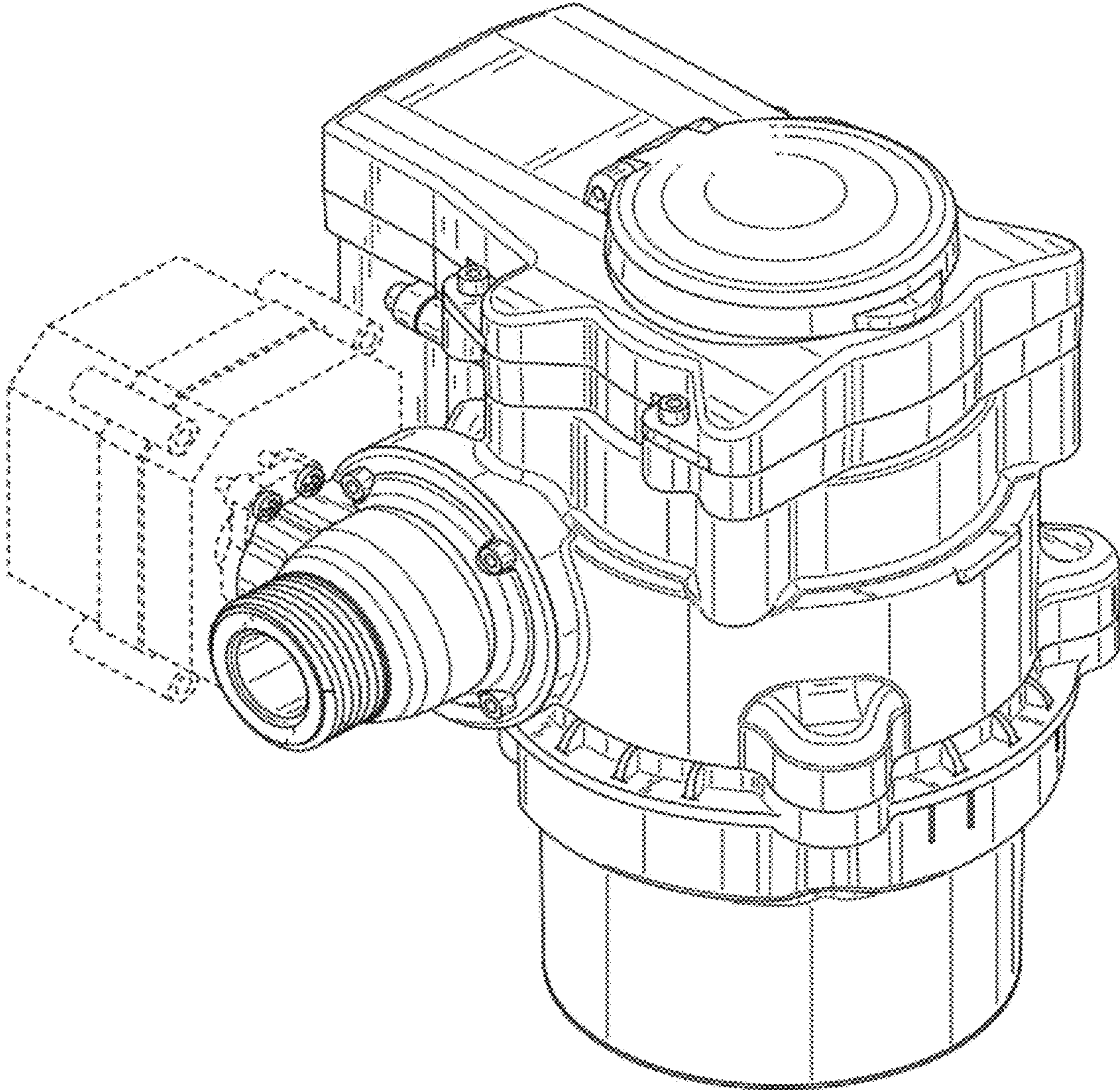


FIG. 8