



US00D666515S

(12) **United States Design Patent**
Kane et al.

(10) **Patent No.:** **US D666,515 S**
(45) **Date of Patent:** **** Sep. 4, 2012**

(54) **HOOK METER**

DESCRIPTION

(75) Inventors: **Michael John Kane**, Portland, OR (US);
Sean Patrick Tierney, Milwaukie, OR (US);
David Lauren Wheaton, Sherwood, OR (US)

(73) Assignee: **Universal Enterprises, Incorporated**,
Beaverton, OR (US)

(**) Term: **14 Years**

(21) Appl. No.: **29/385,379**

(22) Filed: **Feb. 13, 2011**

(51) **LOC (9) Cl.** **10-04**

(52) **U.S. Cl.** **D10/80**

(58) **Field of Classification Search** D10/79;
324/72.5, 556, 133, 149, 503, 543, 555, 66,
324/72, 754, 115, 141, 116; 340/635, 687
See application file for complete search history.

(56) **References Cited**

U.S. PATENT DOCUMENTS

D261,738 S * 11/1981 Shumway D10/80
6,459,252 B1 * 10/2002 Bierer 324/72.5
7,570,045 B2 * 8/2009 Wolfe et al. 324/127

* cited by examiner

Primary Examiner — Antoine D Davis

(74) *Attorney, Agent, or Firm* — J. Douglas Wells

(57) **CLAIM**

The ornamental design for a hook meter, as shown and described.

FIG. 1 is a perspective view of a first embodiment of a hook meter, showing my new design, and lined for the color orange;

FIG. 2 is a front elevation view of the hook meter shown in FIG. 1;

FIG. 3 is a rear elevation view of the hook meter shown in FIG. 1;

FIG. 4 is a top plan view of the hook meter shown in FIG. 1;

FIG. 5 is a right side view of the hook meter shown in FIG. 1;

FIG. 6 is a bottom plan view of the hook meter shown in FIG. 1;

FIG. 7 is a left side view of the hook meter shown in FIG. 1;

FIG. 8 is a perspective view of a second embodiment of a hook meter, showing my new design, wherein the shaded areas represent a contrasted color of a hook meter, the contrasted color being non-black but otherwise not representing a specific color or color combination;

FIG. 9 is a front elevation view of the hook meter shown in FIG. 8;

FIG. 10 is a rear elevation view of the hook meter shown in FIG. 8;

FIG. 11 is a top plan view of the hook meter shown in FIG. 8;

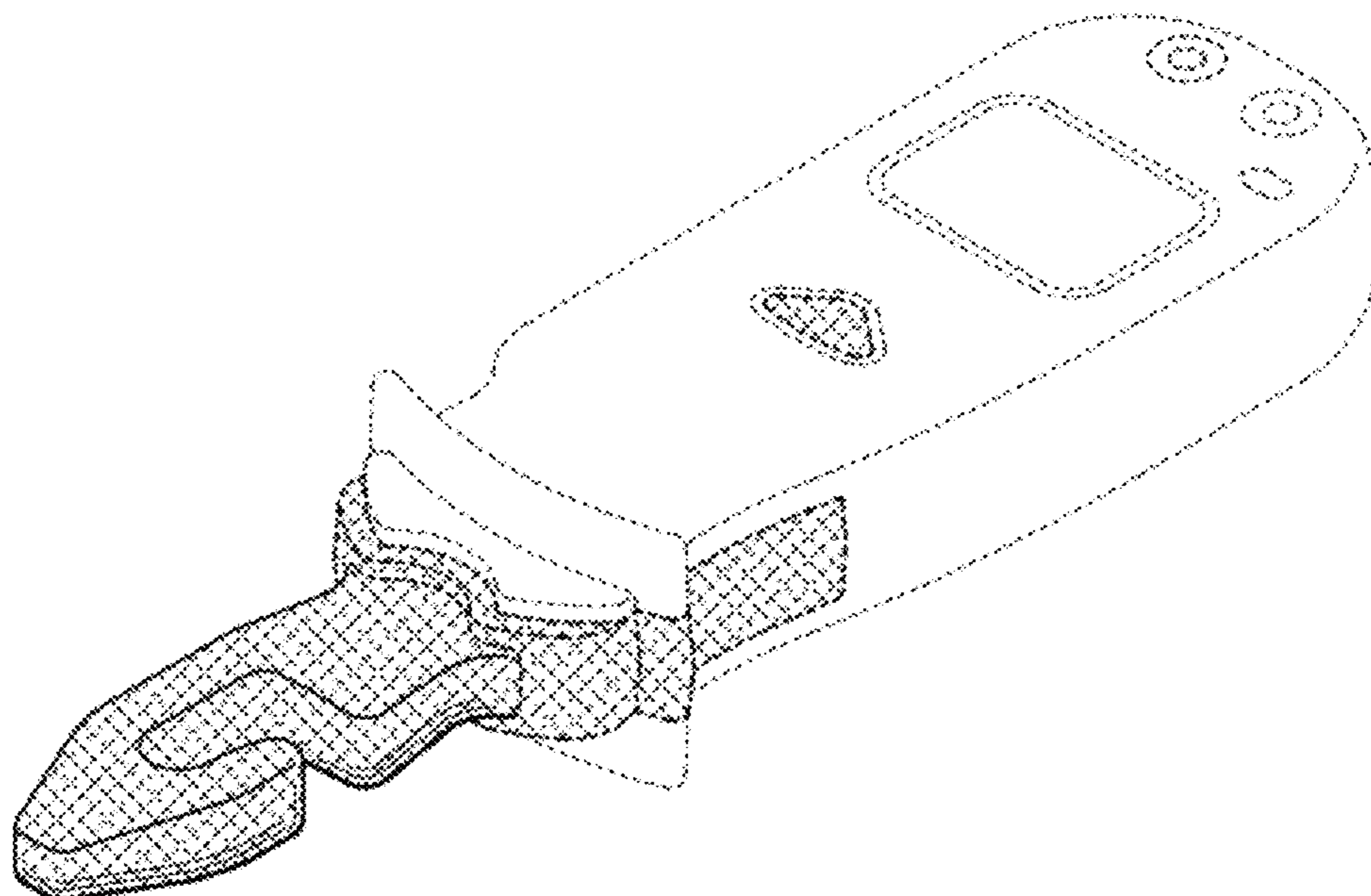
FIG. 12 is a right side view of the hook meter shown in FIG. 8;

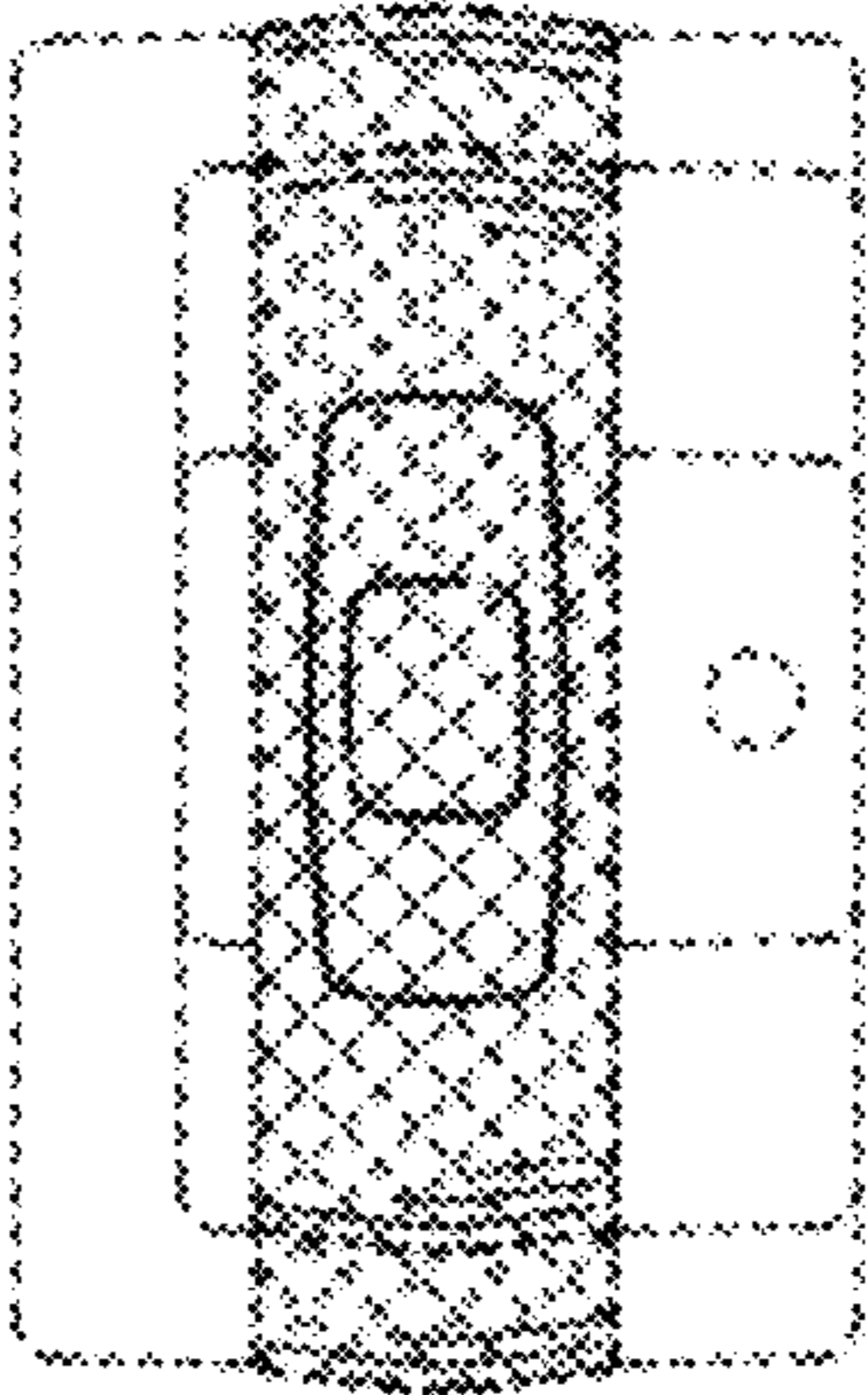
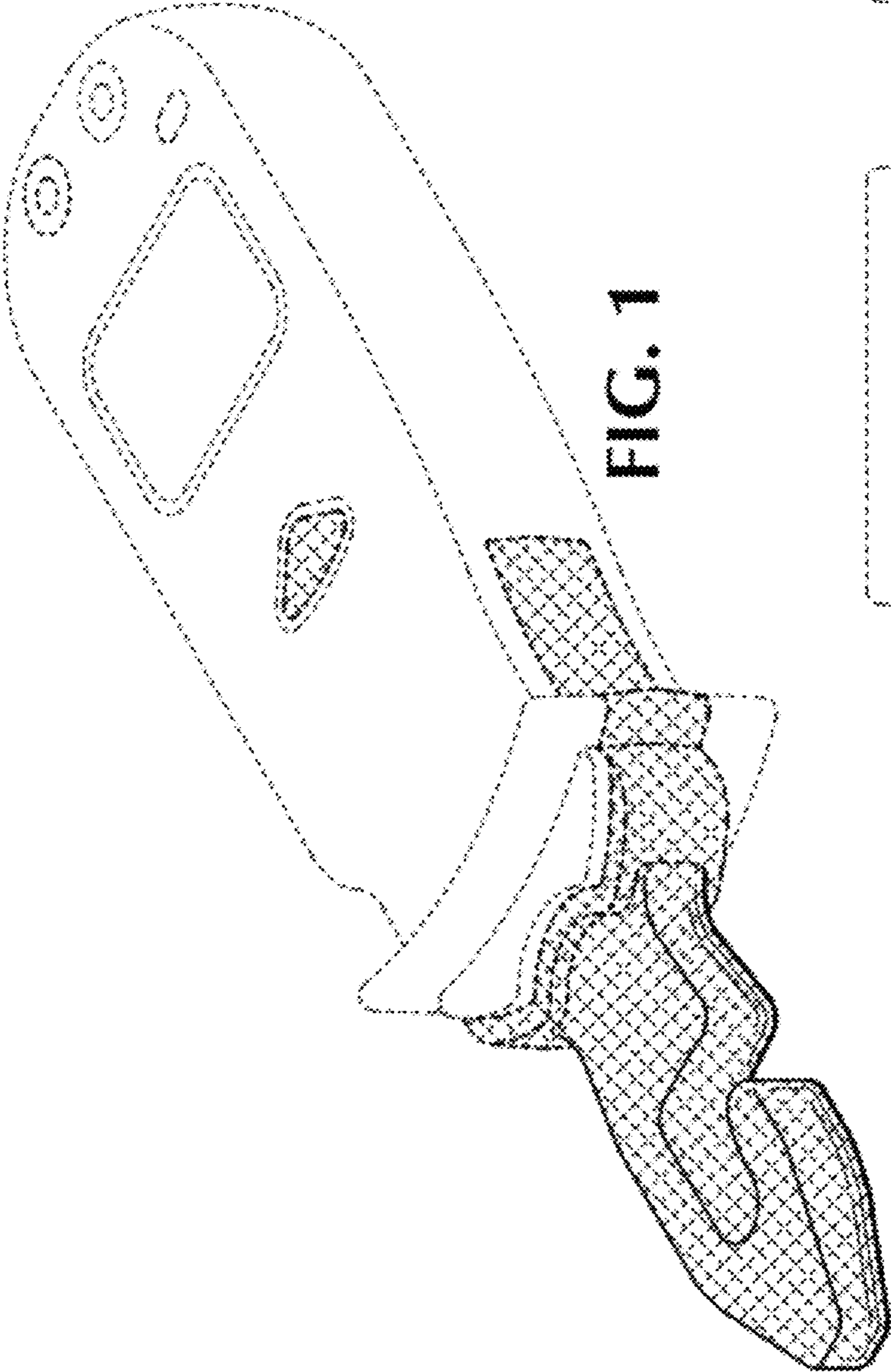
FIG. 13 is a bottom plan view of the hook meter shown in FIG. 8; and,

FIG. 14 is a left side view of the hook meter shown in FIG. 8.

The broken lines shown throughout the drawing views are for illustrative purposes only and form no part of the claimed design.

1 Claim, 6 Drawing Sheets





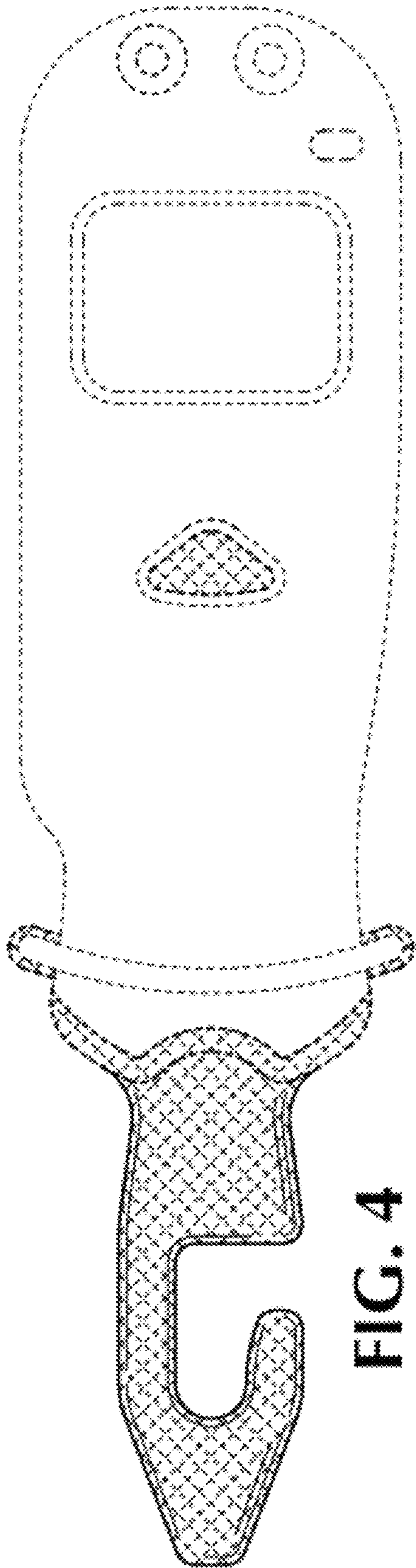


FIG. 4

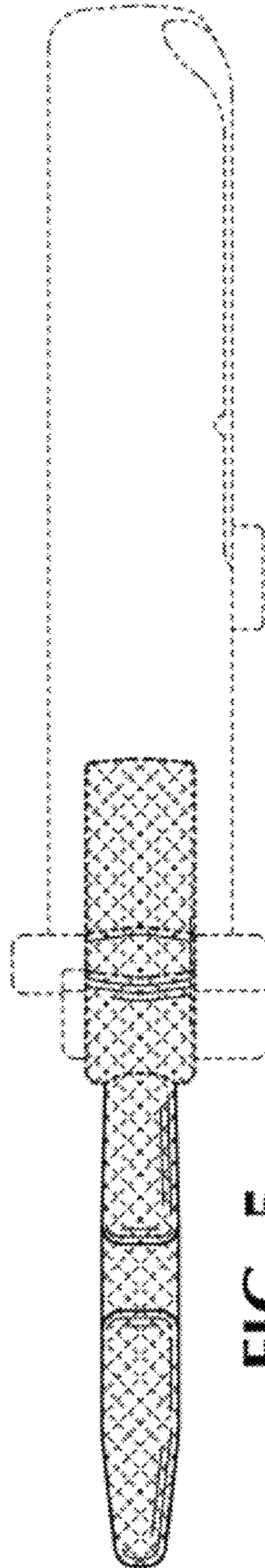
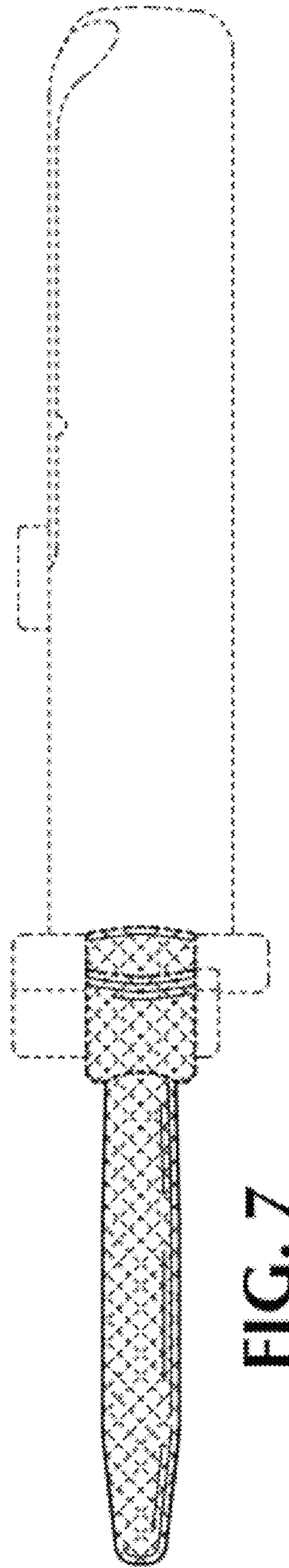
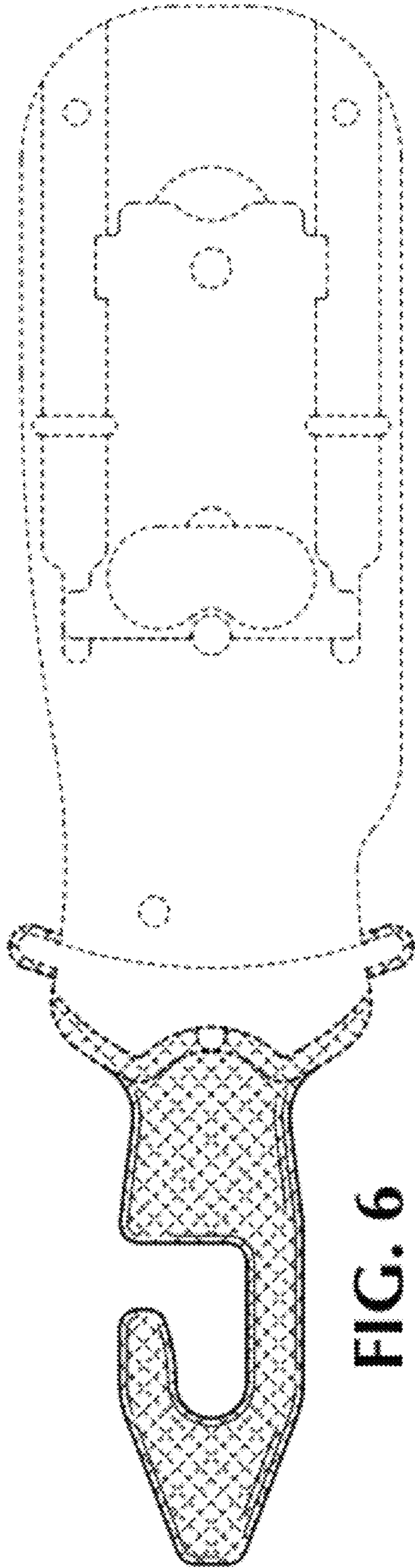


FIG. 5



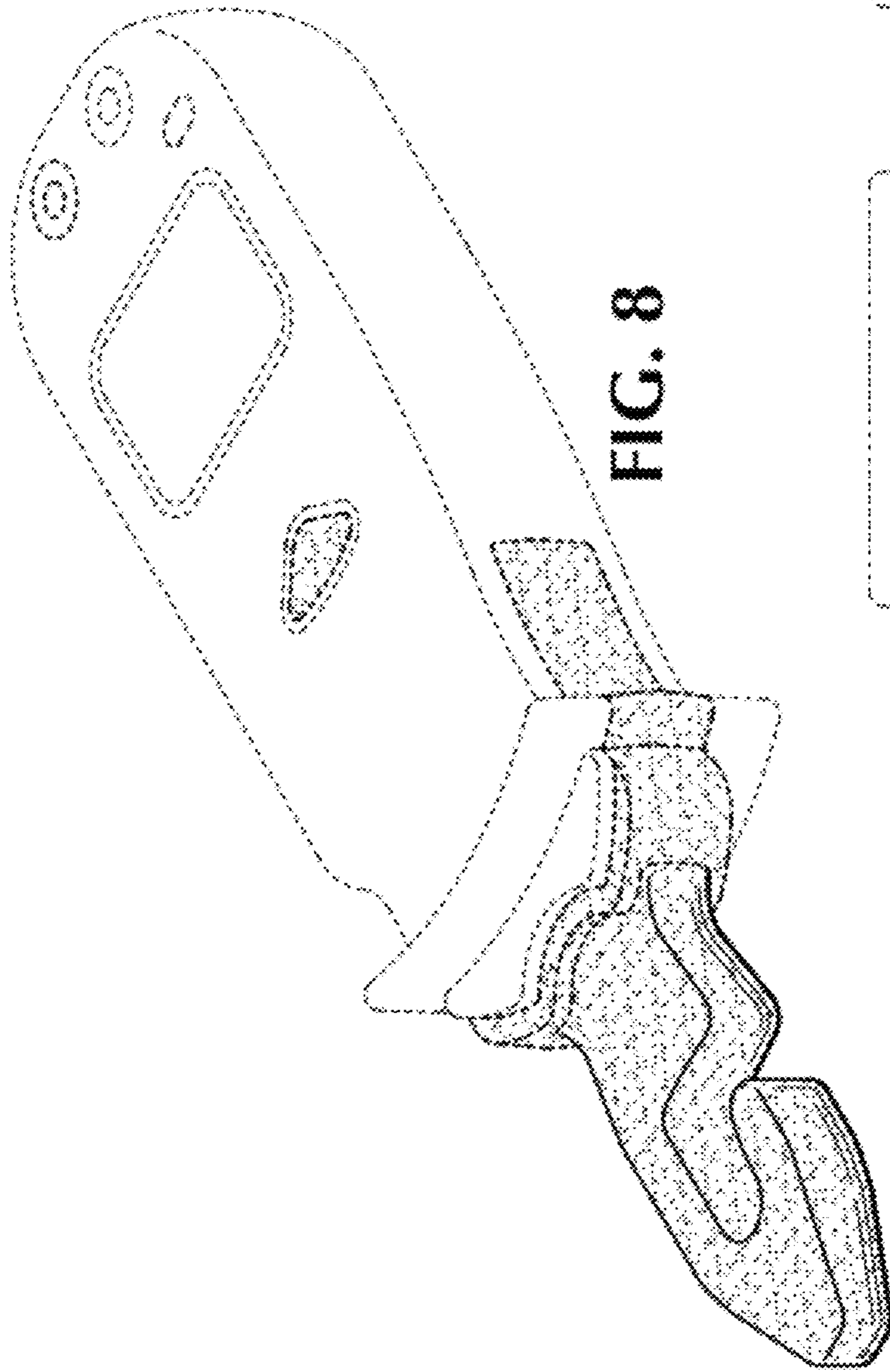


FIG. 8

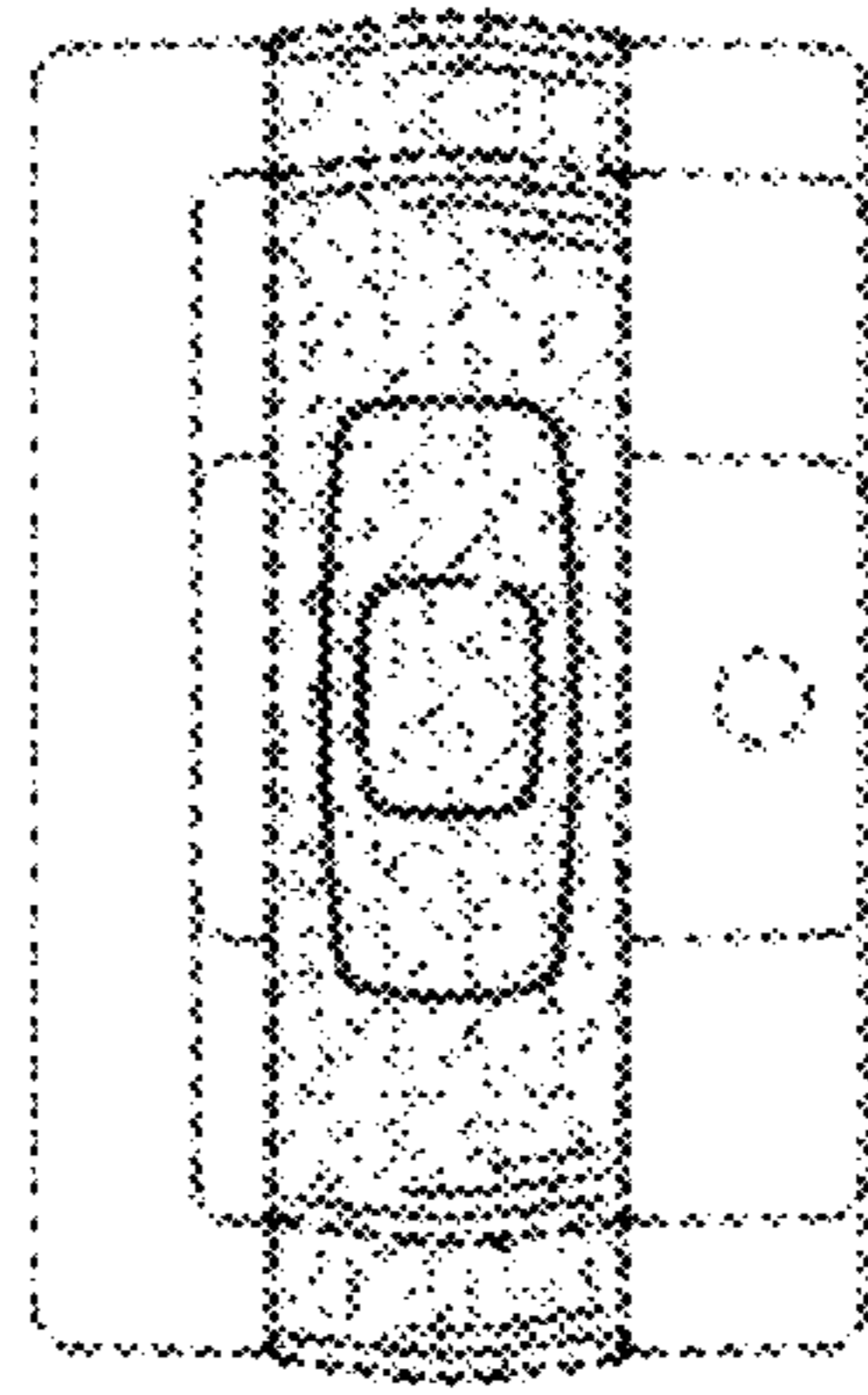


FIG. 9



FIG. 10

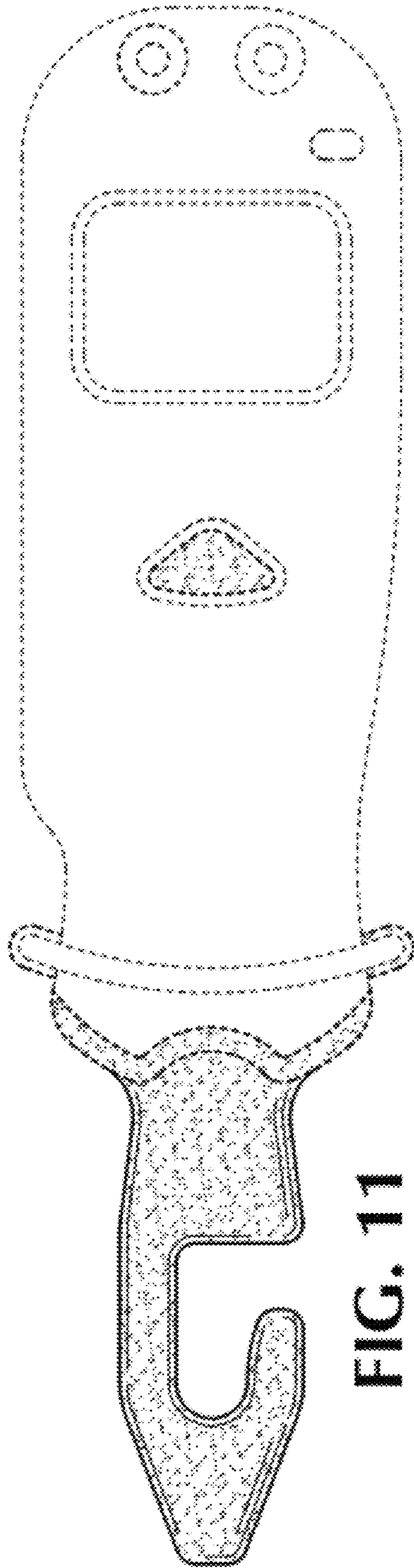


FIG. 11

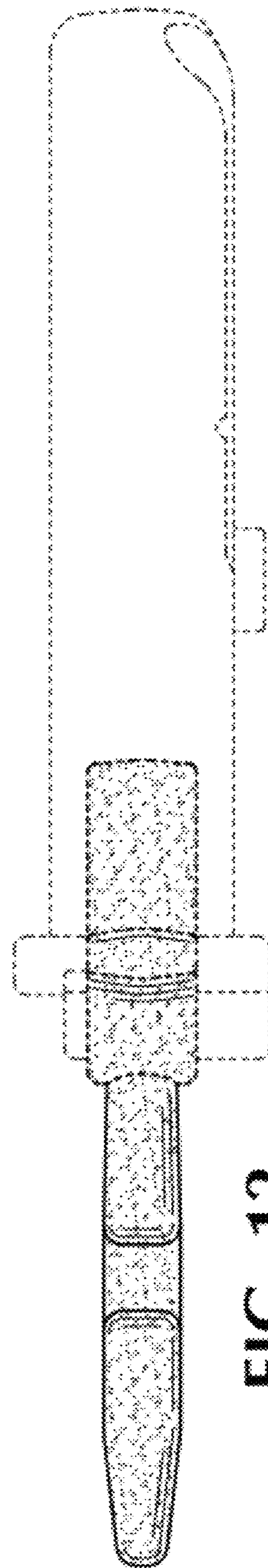


FIG. 12

