

US00D666514S

(12) **United States Design Patent**
Haas et al.

(10) **Patent No.:** **US D666,514 S**

(45) **Date of Patent:** **** Sep. 4, 2012**

(54) **THREE WAY DESKTOP UV COUNTERFEIT DETECTOR**

(75) Inventors: **Dwight Haas**, Highland Village, TX (US); **Mark Dobbs**, New York, NY (US); **Jeffrey Kelsoe**, Palm Desert, CA (US)

(73) Assignee: **Dri-Mark Products**, Port Washington, NY (US)

(**) Term: **14 Years**

(21) Appl. No.: **29/389,255**

(22) Filed: **Apr. 8, 2011**

(51) **LOC (9) Cl.** **10-04**

(52) **U.S. Cl.** **D10/78; D24/173**

(58) **Field of Classification Search** D10/46;
356/71; 382/135, 147

See application file for complete search history.

(56) **References Cited**

U.S. PATENT DOCUMENTS

3,774,046 A * 11/1973 Hoch et al. 250/485.1
D368,862 S * 4/1996 Roberts D10/46

5,790,932 A * 8/1998 Komaki et al. 382/135
6,470,093 B2 * 10/2002 Liang 382/135
6,603,871 B2 * 8/2003 Liang 382/135
D556,059 S * 11/2007 Jenq D10/46
D585,311 S * 1/2009 Malhi D10/46
2005/0259858 A1 * 11/2005 Su et al. 382/135

* cited by examiner

Primary Examiner — Antoine D Davis

(74) *Attorney, Agent, or Firm* — Ostrolenk Faber LLP

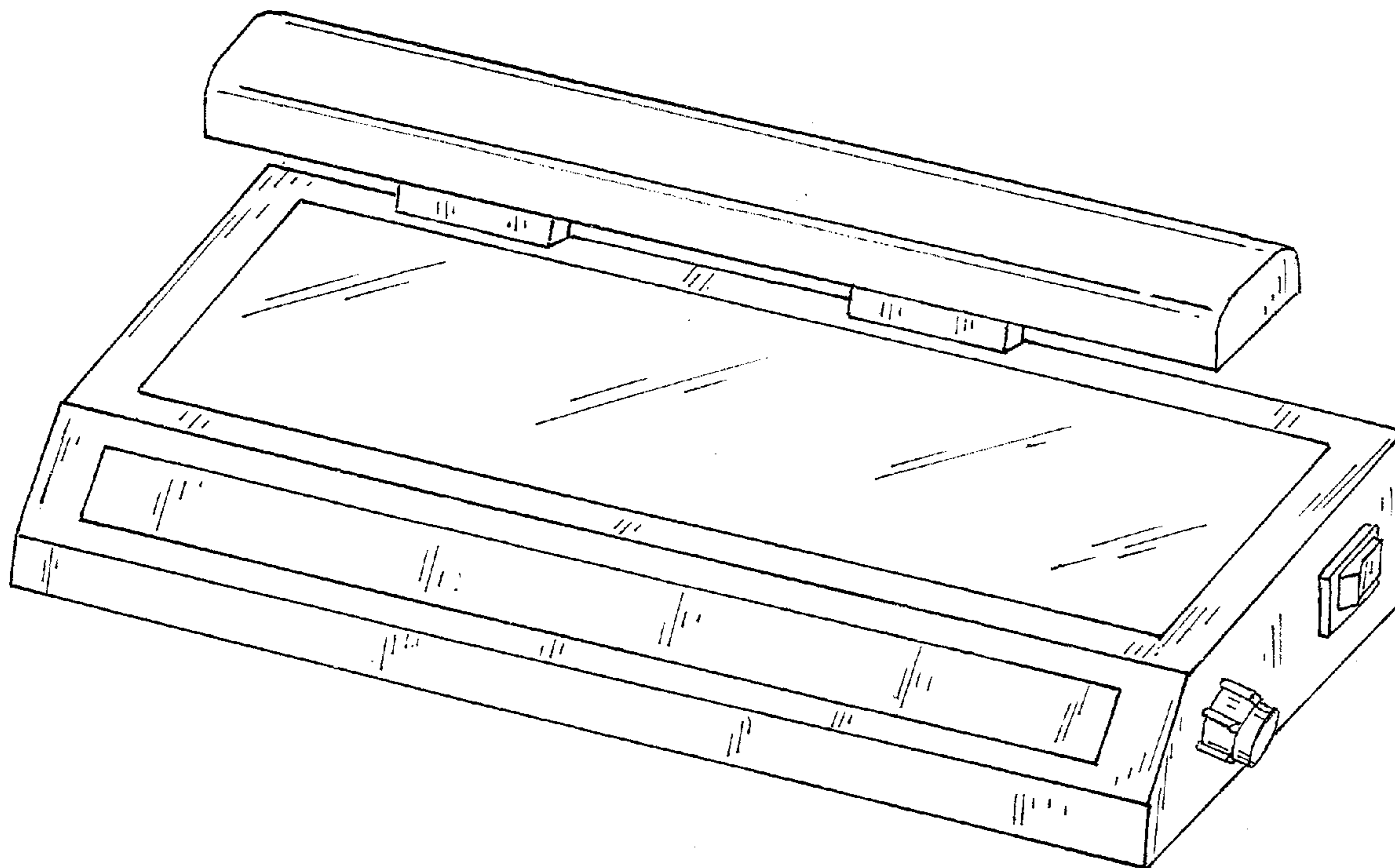
(57) **CLAIM**

The ornamental design for three way desktop UV counterfeit detector, as shown and described.

DESCRIPTION

FIG. 1 is a perspective of a tri-test counterfeit currency detector in accordance with the present invention. FIG. 2 is a left-hand side view of FIG. 1. FIG. 3 is a right-hand side view of FIG. 1. FIG. 4 is a front elevational view of FIG. 1. FIG. 5 is a rear elevational view of FIG. 1. FIG. 6 is a top view of FIG. 1; and, FIG. 7 is a bottom view of FIG. 1.

1 Claim, 4 Drawing Sheets



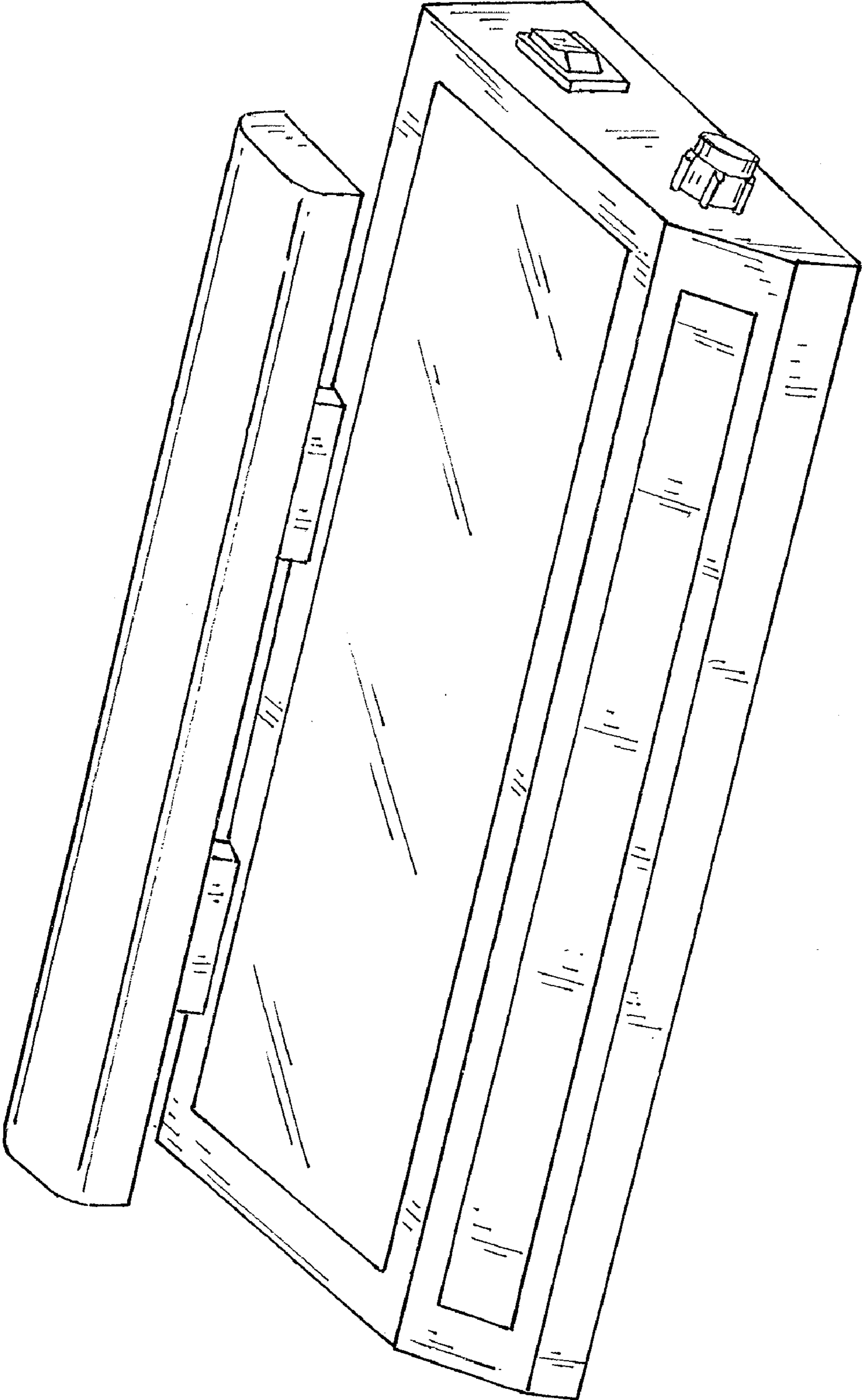


FIG. 1

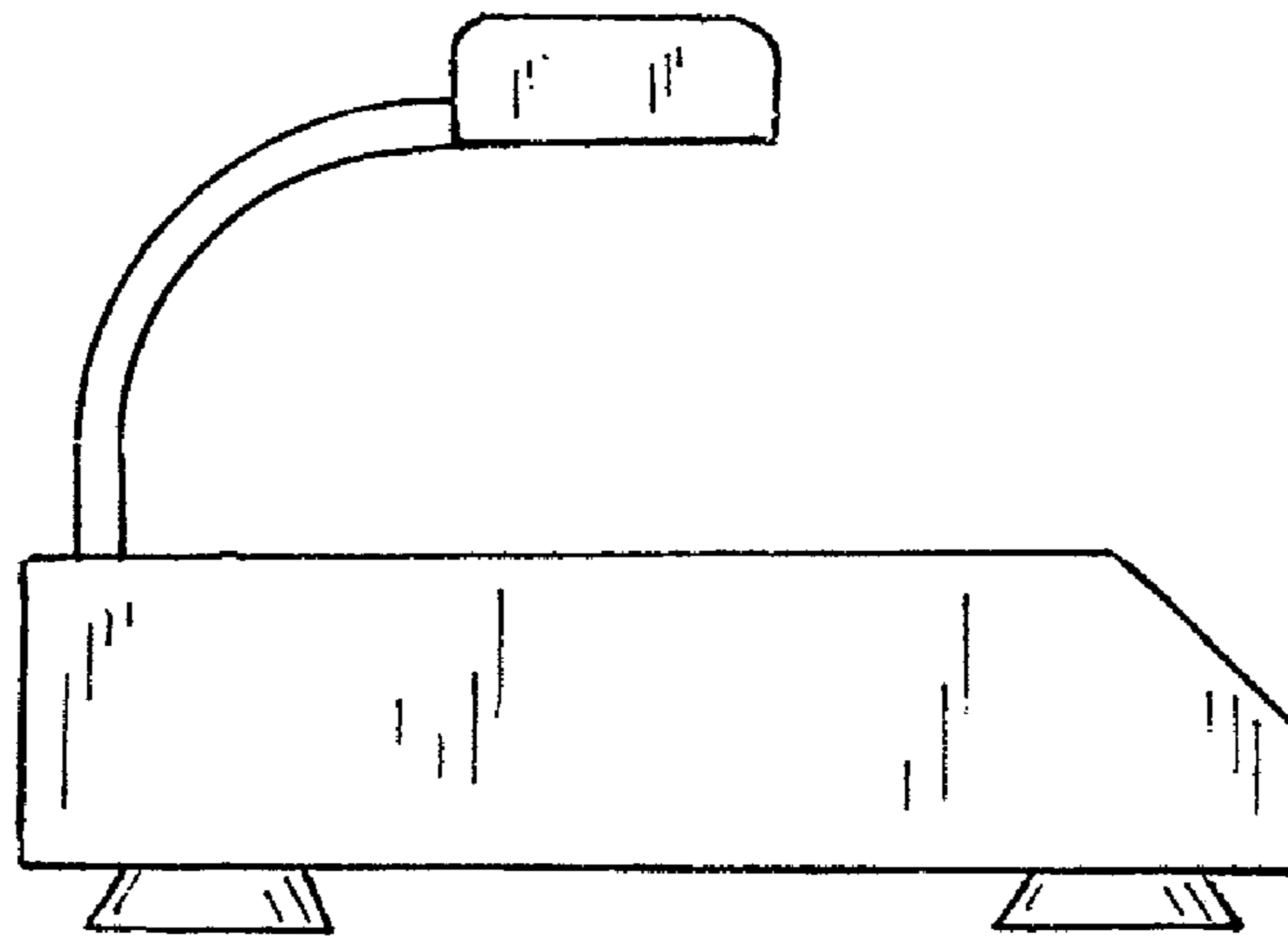


FIG. 2

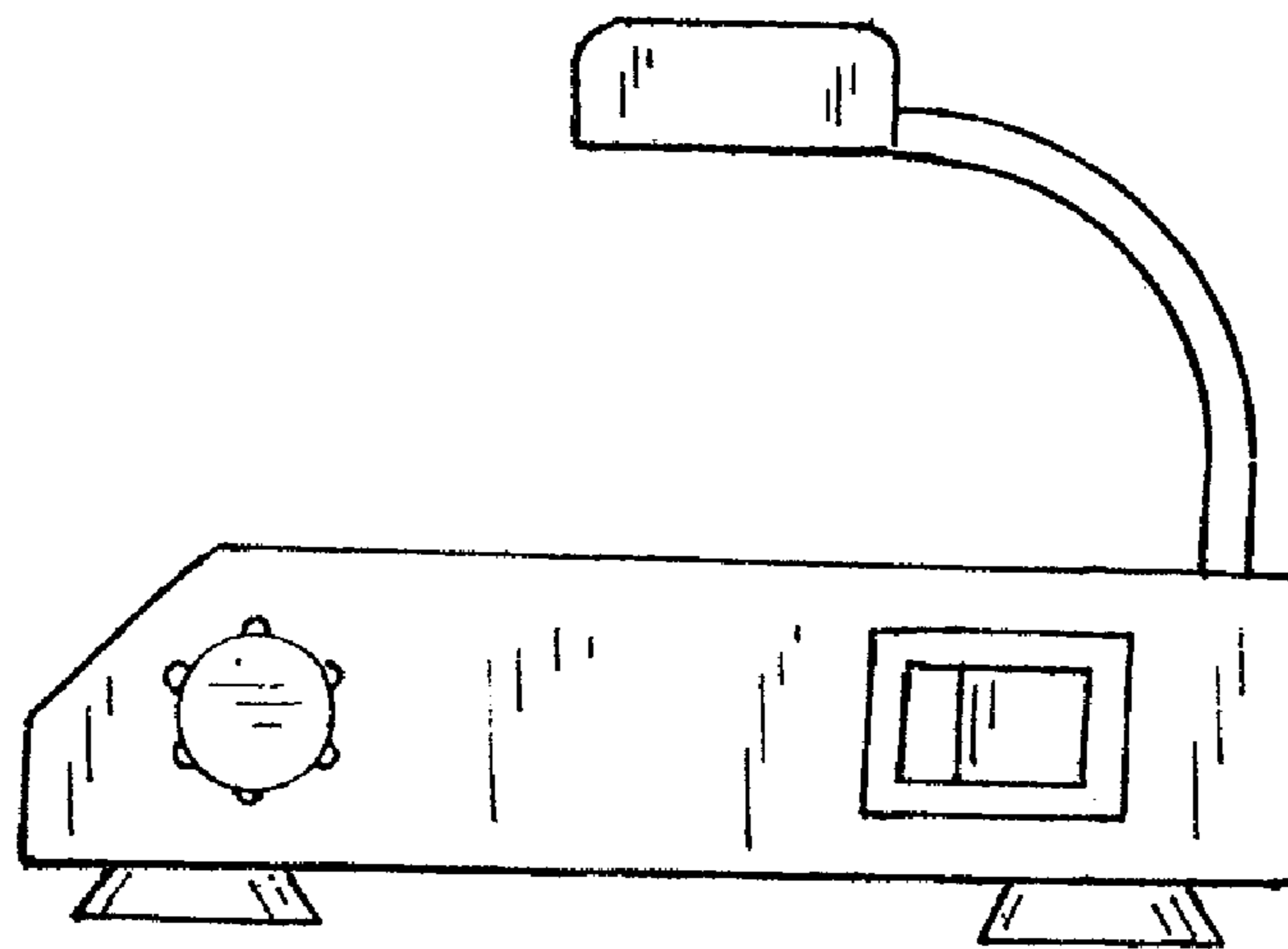


FIG. 3

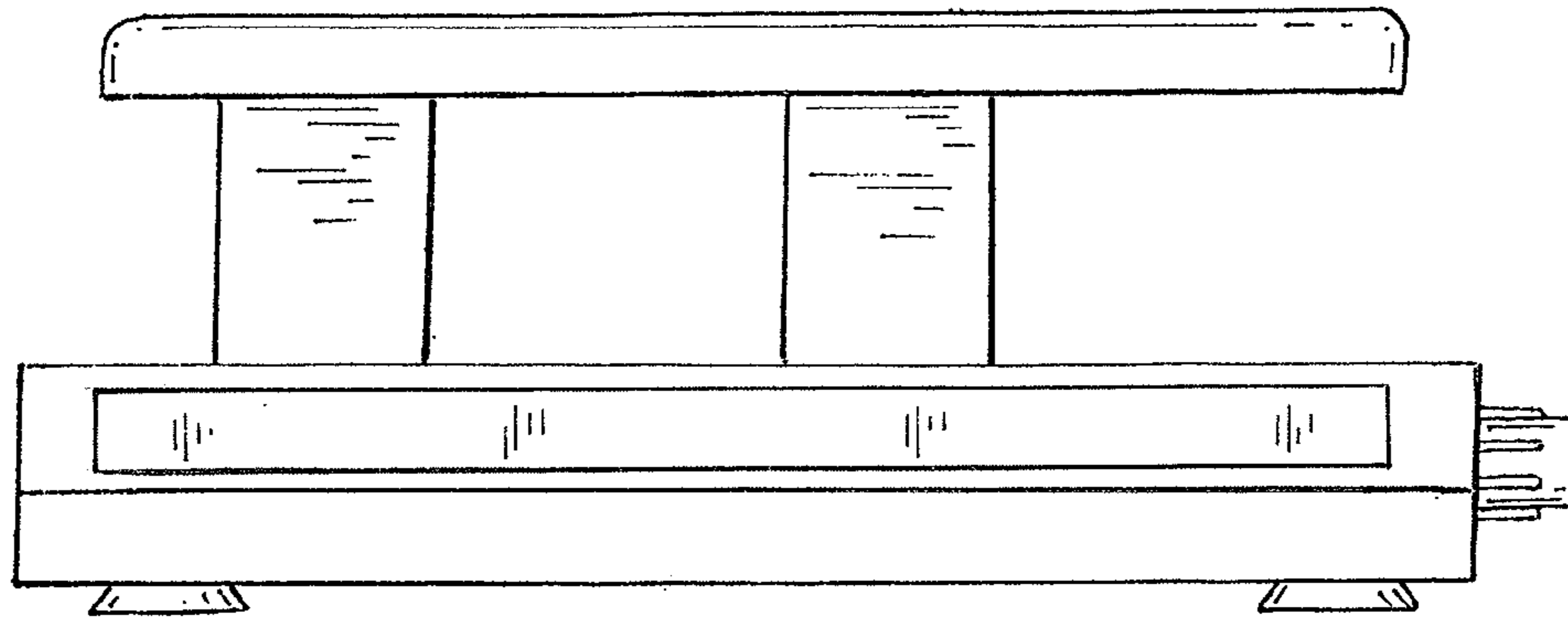


FIG. 4

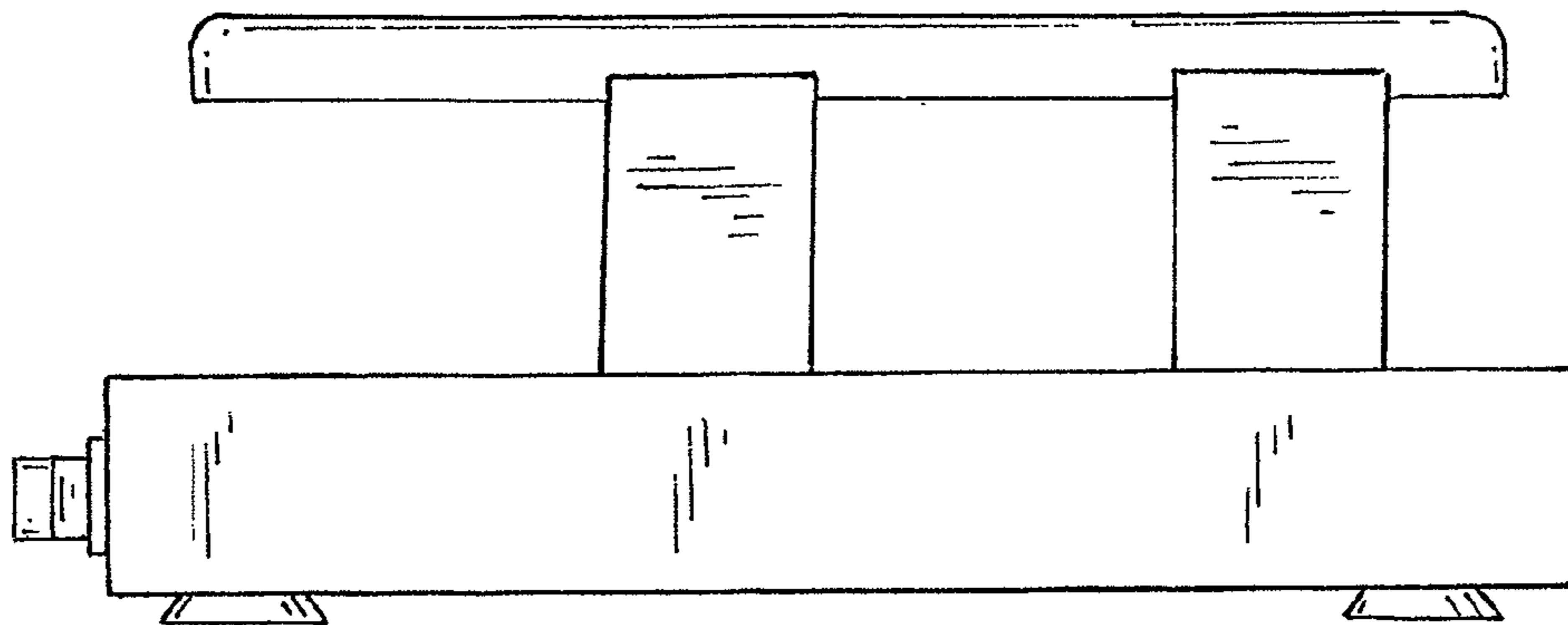


FIG. 5

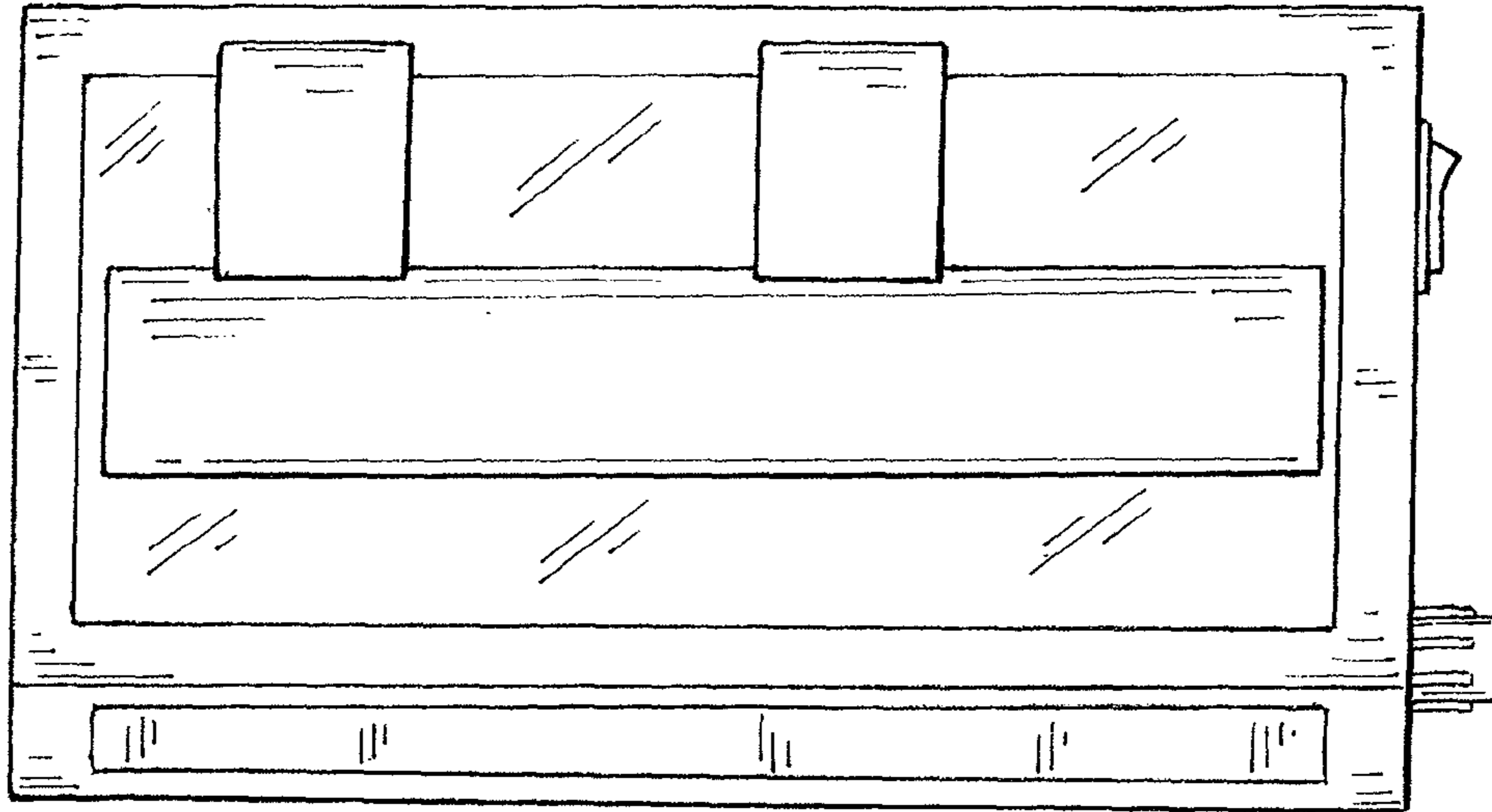


FIG. 6

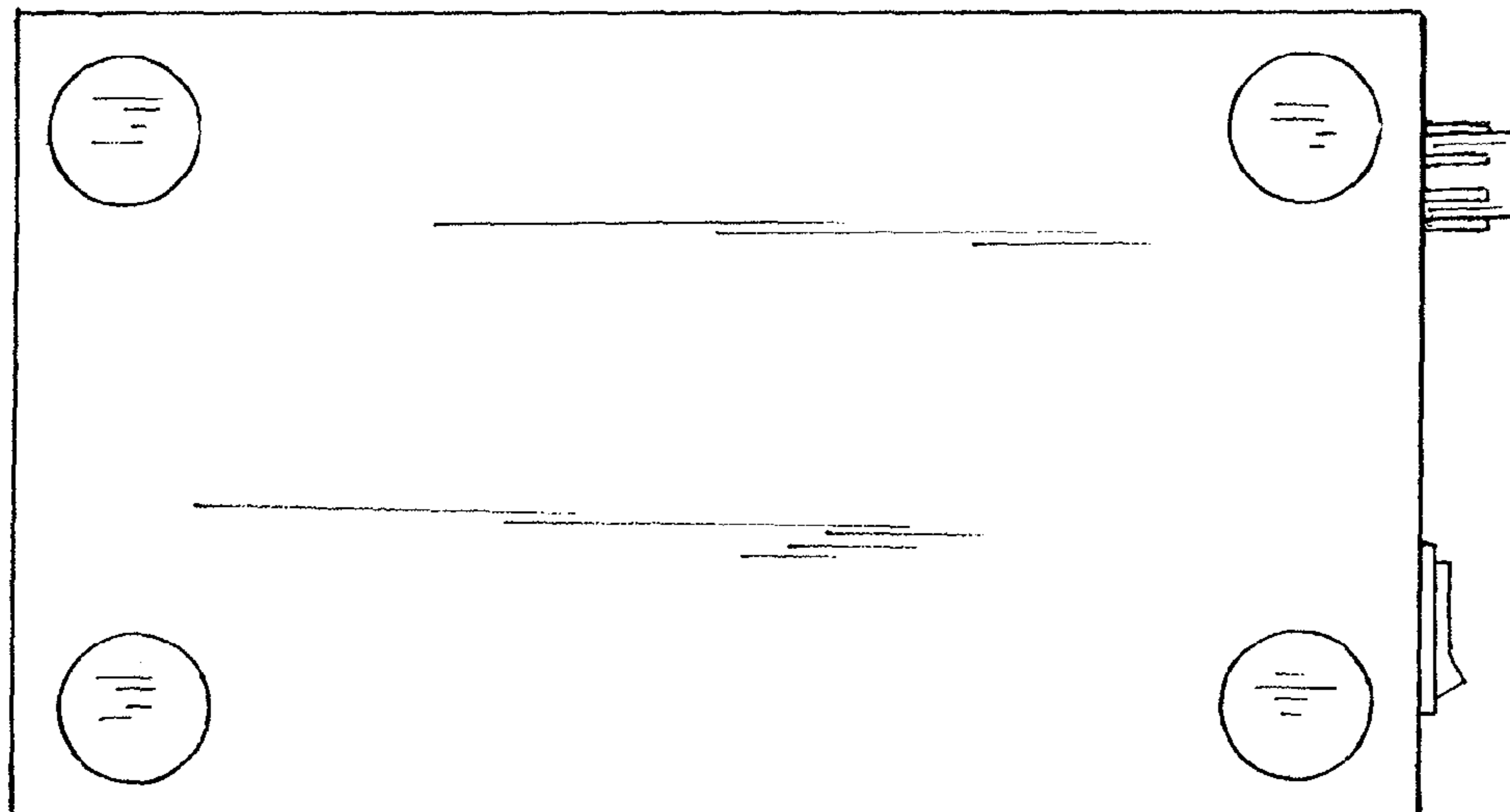


FIG. 7