

US00D666512S

(12) **United States Design Patent**
Gresko et al.

(10) **Patent No.:** **US D666,512 S**

(45) **Date of Patent:** **** Sep. 4, 2012**

(54) **MOTION DETECTOR**

(75) Inventors: **James Gresko**, Rochester, NY (US);
James Thornton, Webster, NY (US);
Robert E. Walters, Webster, NY (US);
William DiPoala, Fairport, NY (US)

(73) Assignee: **Robert Bosch GmbH**, Stuttgart (DE)

(**) Term: **14 Years**

(21) Appl. No.: **29/389,115**

(22) Filed: **Apr. 6, 2011**

(51) **LOC (9) Cl.** **10-04**

(52) **U.S. Cl.** **D10/70**

(58) **Field of Classification Search** D10/70,
D10/104; 250/221, 338.3, 340, 239, 342,
250/341, DIG. 1; 307/116, 117; 340/521,
340/527, 541, 567, 540, 568.2, 539.23; 315/159
See application file for complete search history.

(56) **References Cited**

U.S. PATENT DOCUMENTS

D569,284 S *	5/2008	Ni et al.	D10/70
D583,688 S *	12/2008	Guercio	D10/70
D628,103 S *	11/2010	Schmalz et al.	D10/70
D651,532 S *	1/2012	Li et al.	D10/70
D656,849 S *	4/2012	Ni et al.	D10/70

2008/0198010 A1 *	8/2008	Richard	340/567
2009/0095889 A1 *	4/2009	Bender et al.	250/221
2010/0237248 A1 *	9/2010	Walters et al.	250/340

* cited by examiner

Primary Examiner — Antoine D Davis

(74) *Attorney, Agent, or Firm* — Maginot, Moore & Beck

(57) **CLAIM**

The ornamental design for a motion detector, as shown and described.

DESCRIPTION

FIG. 1 is a front perspective view of a motion detector showing our new design;

FIG. 2 is a front elevational view showing the design for the motion detector of FIG. 1;

FIG. 3 is a rear elevational view showing the design for the motion detector of FIG. 1;

FIG. 4 is a right side elevational view showing the design for the motion detector of FIG. 1;

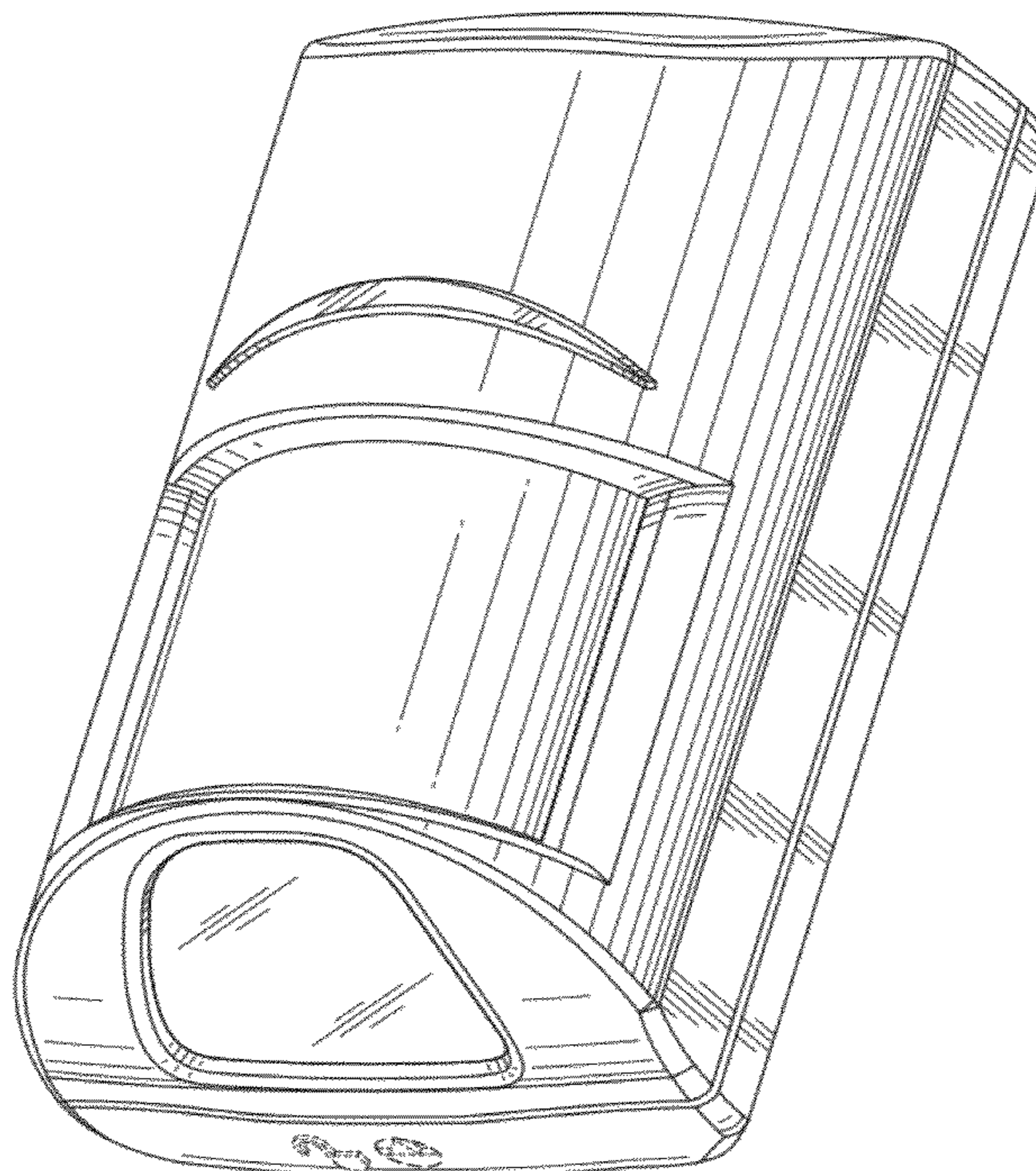
FIG. 5 is a left side elevational view showing the design for the motion detector of FIG. 1;

FIG. 6 is a top plan view showing the design for the motion detector of FIG. 1; and,

FIG. 7 is a bottom plan view showing the design for the motion detector of FIG. 1.

The broken lines shown in the drawings represent portions of the motion detector that form no part of the claimed design.

1 Claim, 6 Drawing Sheets



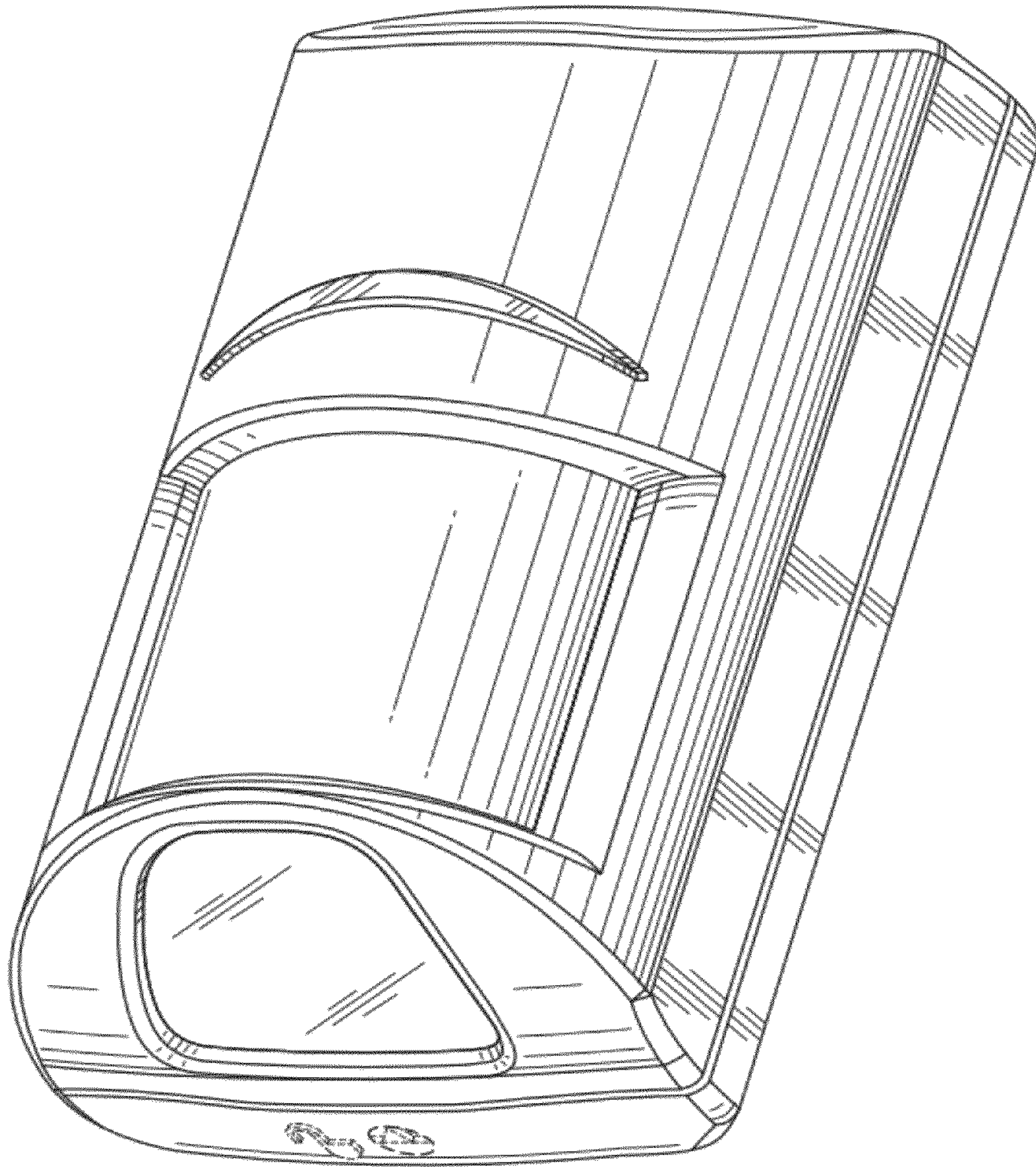


FIG. 1

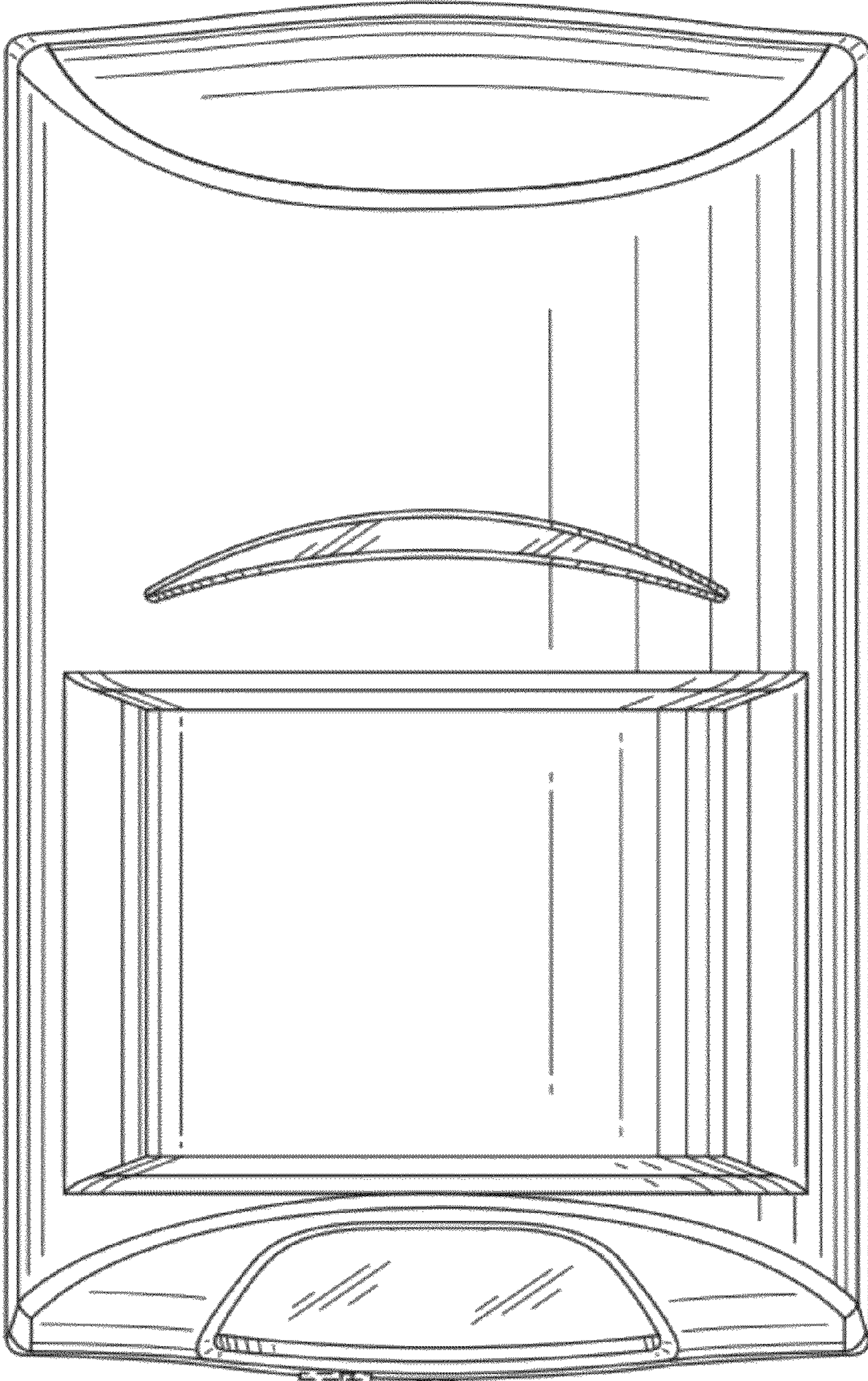


FIG. 2

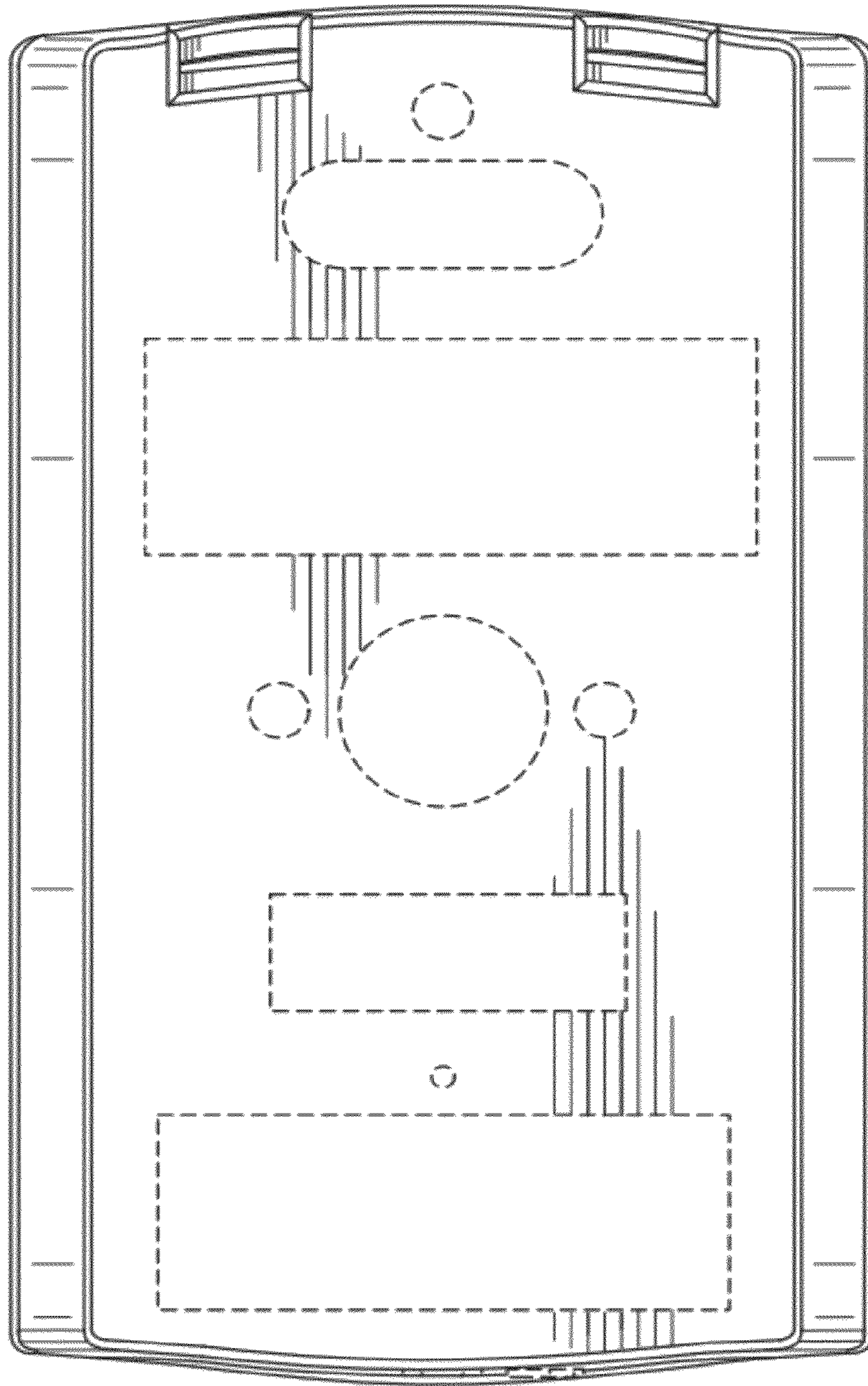


FIG. 3

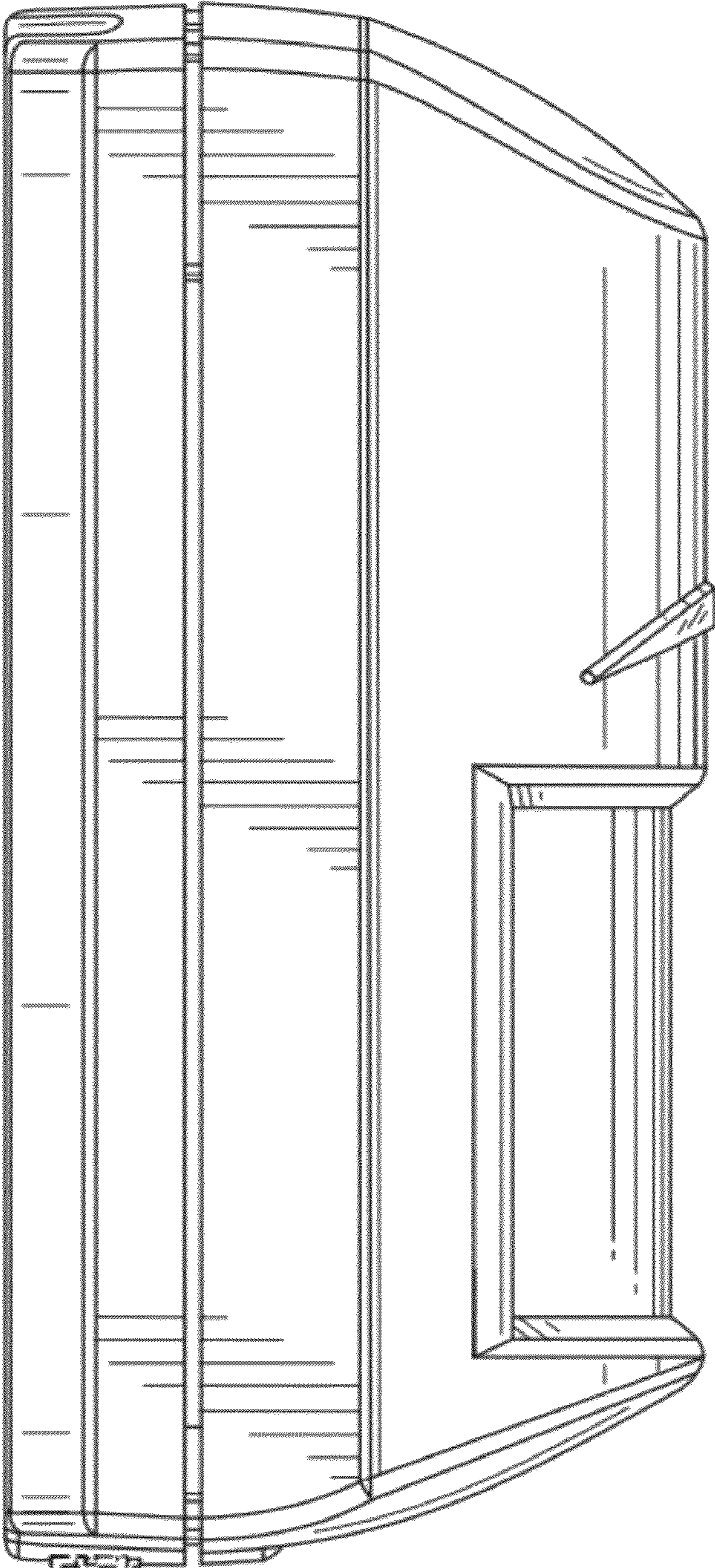


FIG. 4

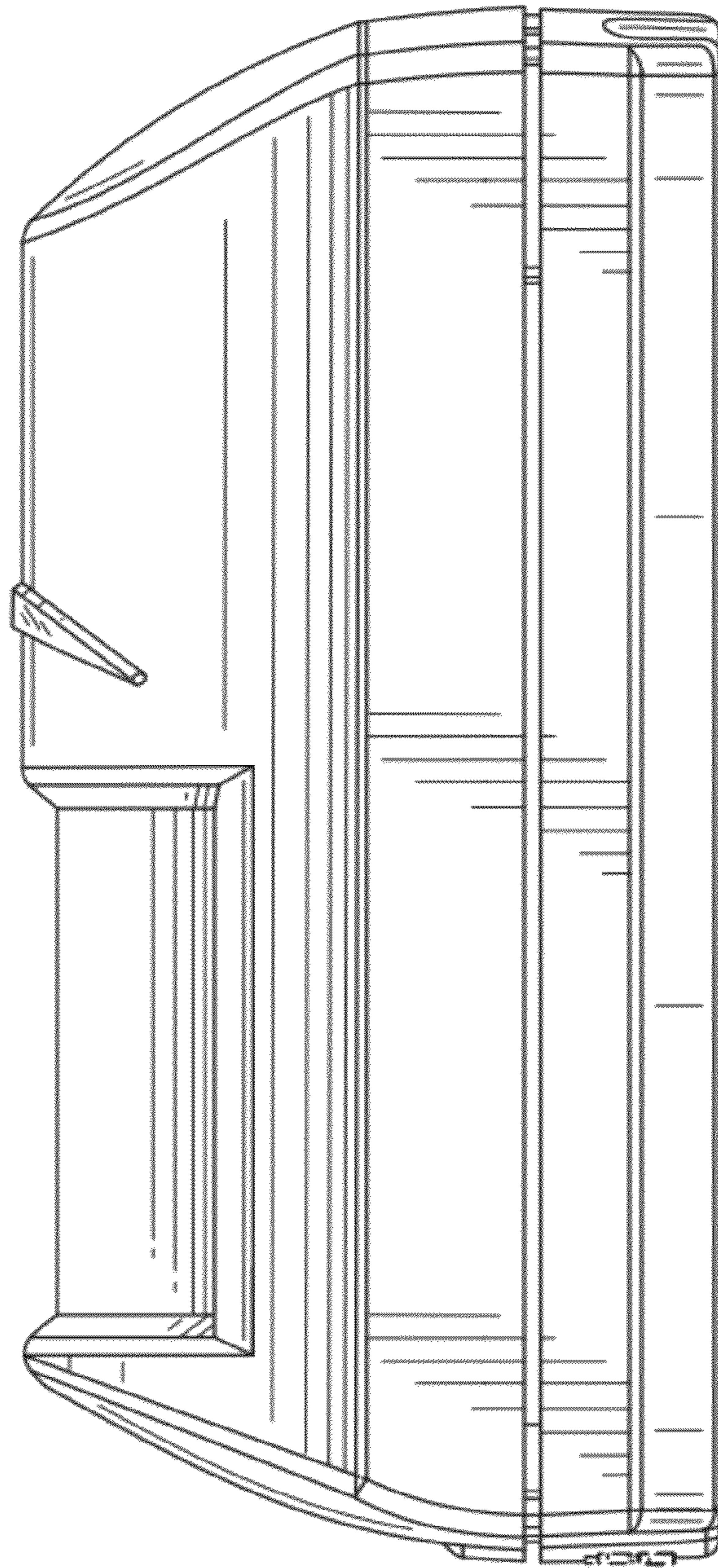


FIG. 5

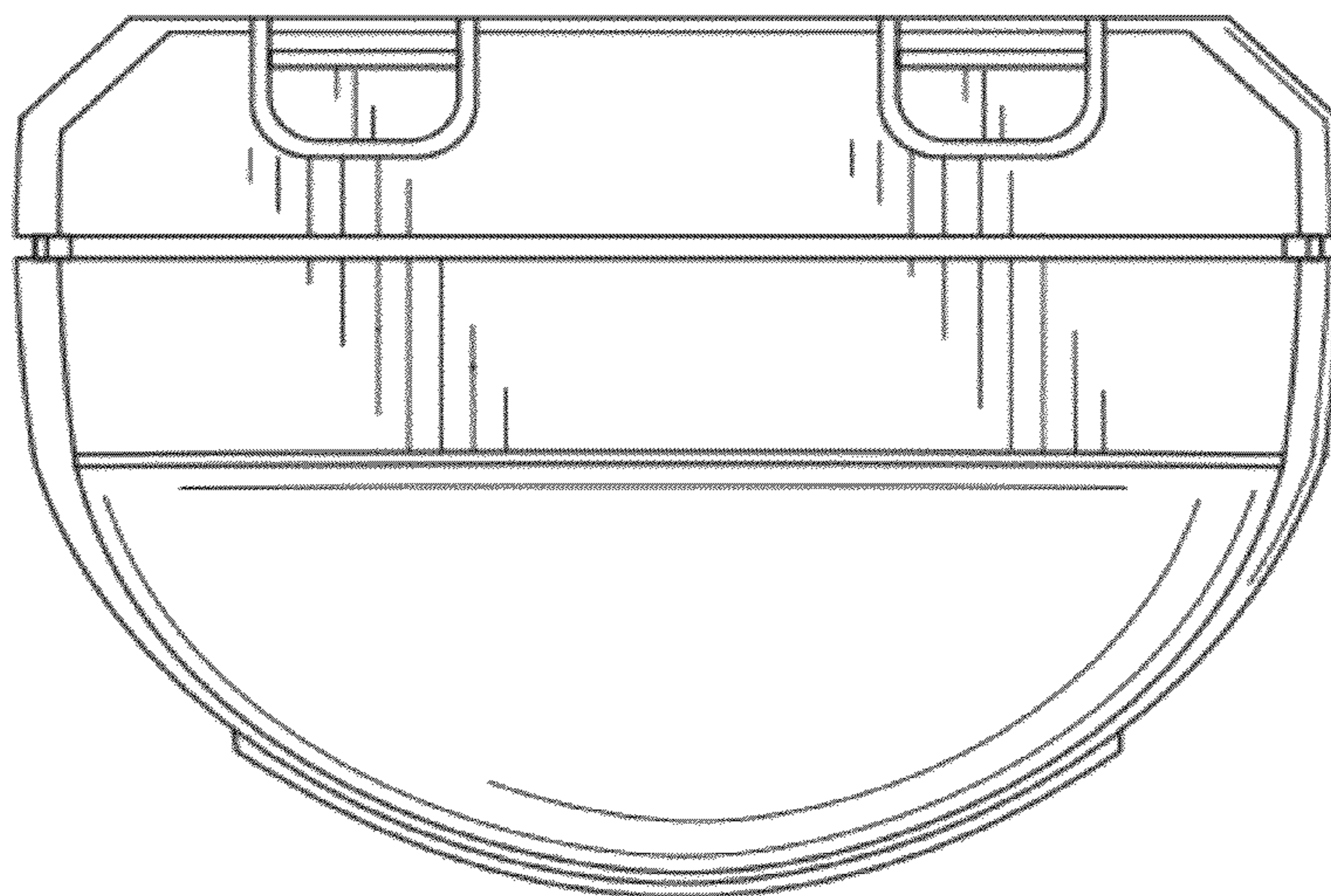


FIG. 6

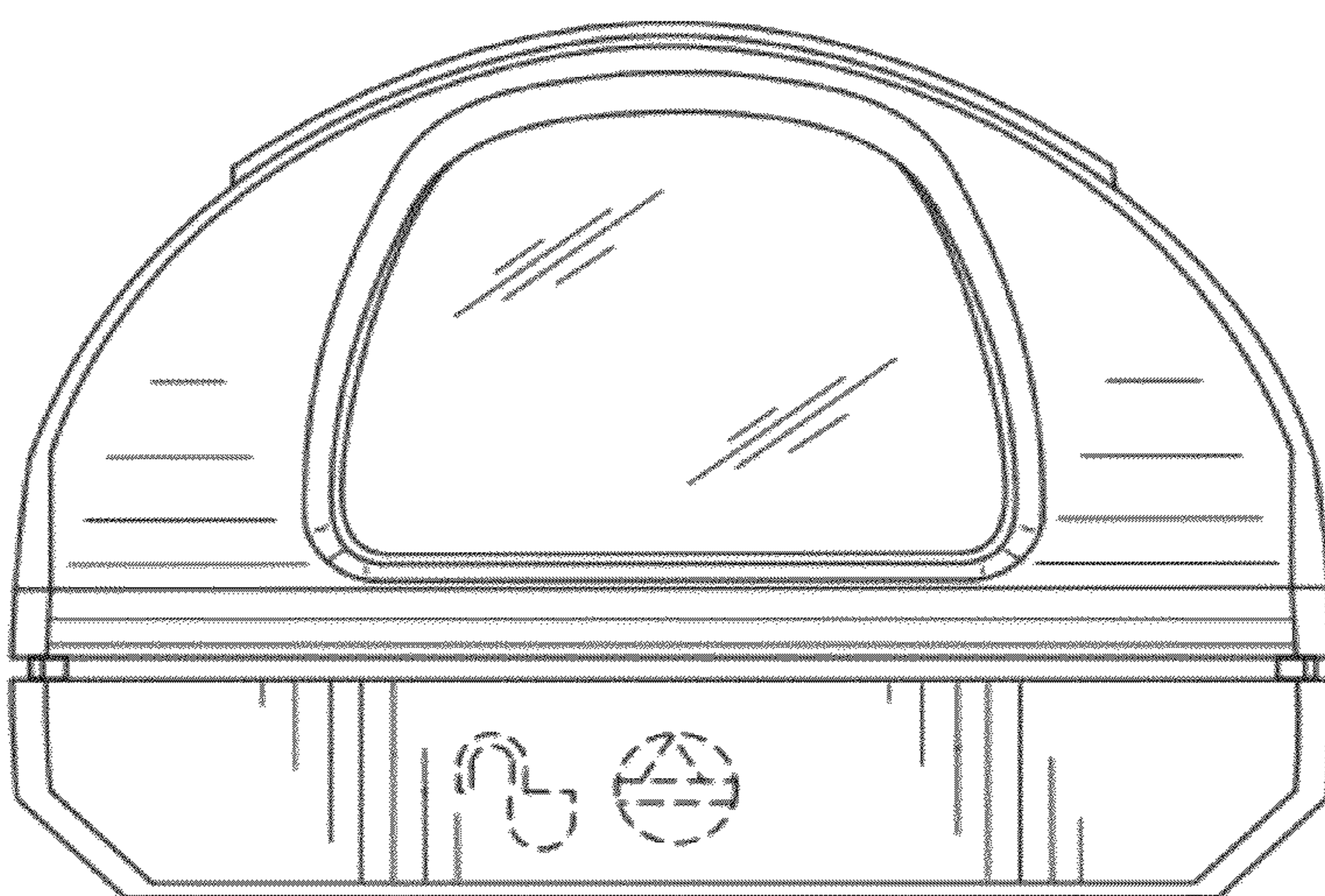


FIG. 7