

US00D666511S

(12) **United States Design Patent**  
**Choi et al.**

(10) **Patent No.:** **US D666,511 S**

(45) **Date of Patent:** **\*\* Sep. 4, 2012**

(54) **COVER FOR A PRESSURE SENSOR**

(75) Inventors: **You-Sik Choi**, Daegu (KR);  
**Young-Woon Kim**, Daegu (KR)

(73) Assignee: **Tyco Electronics AMP Korea Ltd.**,  
Kyungsangbuk-Do (KR)

(\*\*) Term: **14 Years**

(21) Appl. No.: **29/384,460**

(22) Filed: **Jan. 31, 2011**

(30) **Foreign Application Priority Data**

Aug. 2, 2010 (KR) ..... 30-2010-0033691

(51) **LOC (9) Cl.** ..... **10-04**

(52) **U.S. Cl.** ..... **D10/65**

(58) **Field of Classification Search** ..... D10/85-86;  
91/394, 395, 407, 408; 92/5 L, 15-17, 21 MR,  
92/28, 51, 52, 68, 88, 128, 137, 143, 165 PR,  
92/168, 169, 177; D15/143; D23/233; 137/625.64,  
137/625.65, 596.13, 506.16, 271, 343, 136;  
174/50, 54; 361/658; 439/76.1; 73/700,  
73/753

See application file for complete search history.

(56) **References Cited**

U.S. PATENT DOCUMENTS

5,814,765 A 9/1998 Bauer et al.  
7,380,458 B1 \* 6/2008 Date et al. .... 73/700  
2009/0038399 A1 2/2009 Watanabe

FOREIGN PATENT DOCUMENTS

JP 2005-43367 2/2005

\* cited by examiner

*Primary Examiner* — Antoine D Davis

(74) *Attorney, Agent, or Firm* — Barley Snyder

(57) **CLAIM**

The ornamental design for a cover for a pressure sensor, as shown and described.

**DESCRIPTION**

FIG. 1 is a top, right, and front perspective view of the cover for a pressure sensor, showing the new design;

FIG. 2 is a front view thereof;

FIG. 3 is a left-side view thereof;

FIG. 4 is a right side view thereof;

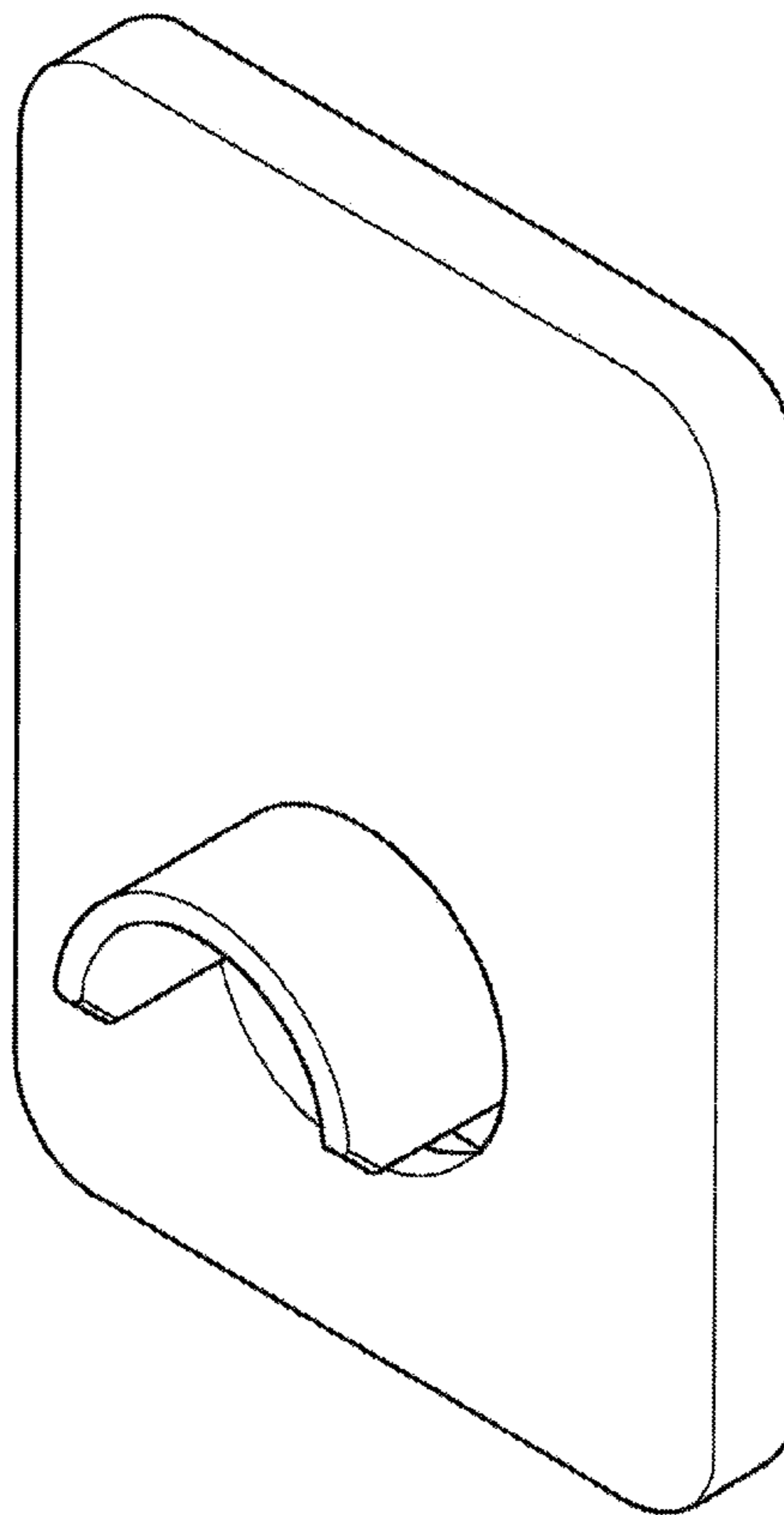
FIG. 5 is a top plan view thereof;

FIG. 6 is a bottom plan view thereof; and,

FIG. 7 is top, right, and perspective view thereof, in use.

The broken lines shown in the drawings are included for the purpose of illustrating environmental structure and form no part of the claimed design.

**1 Claim, 7 Drawing Sheets**



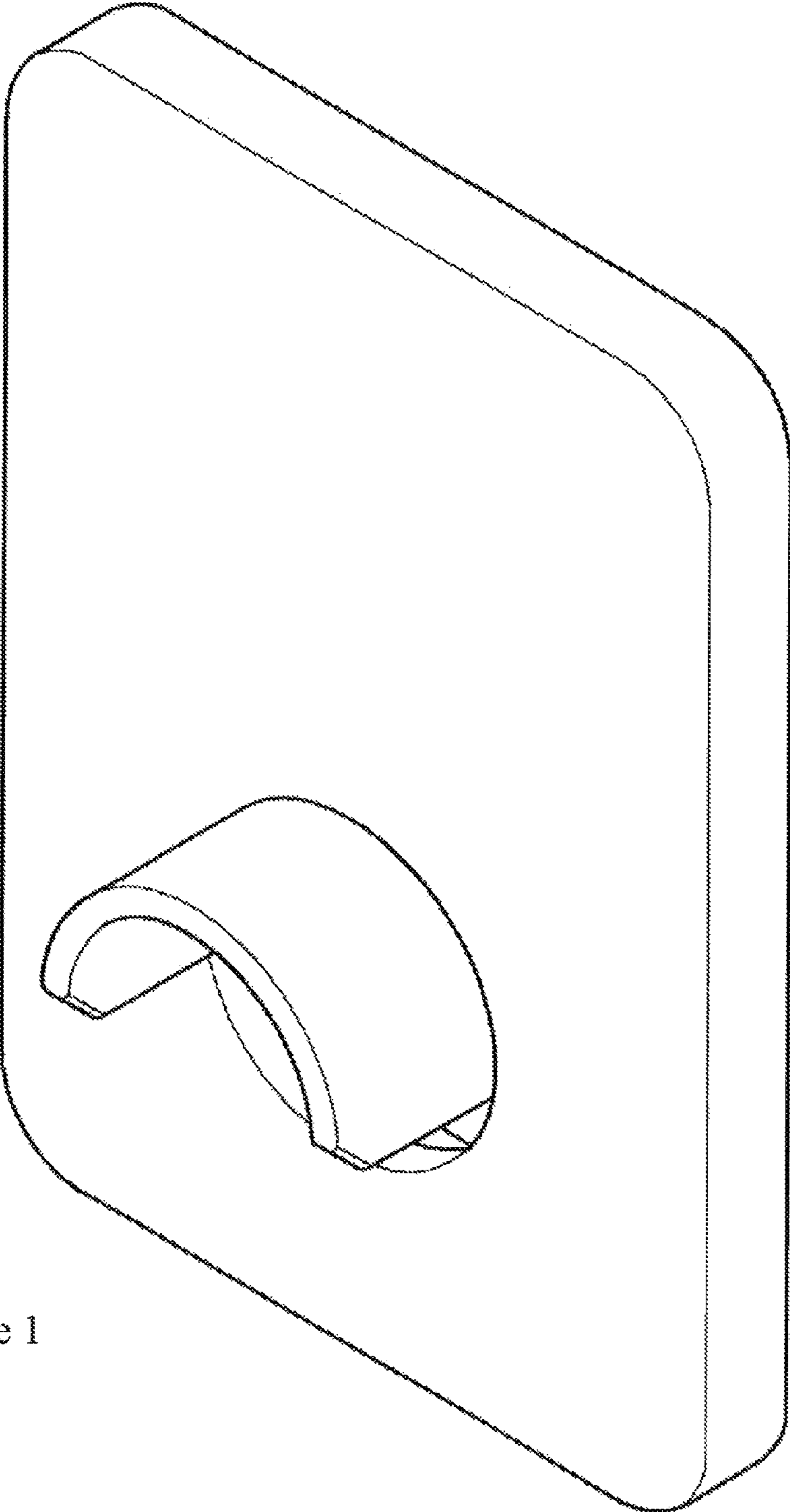


Figure 1

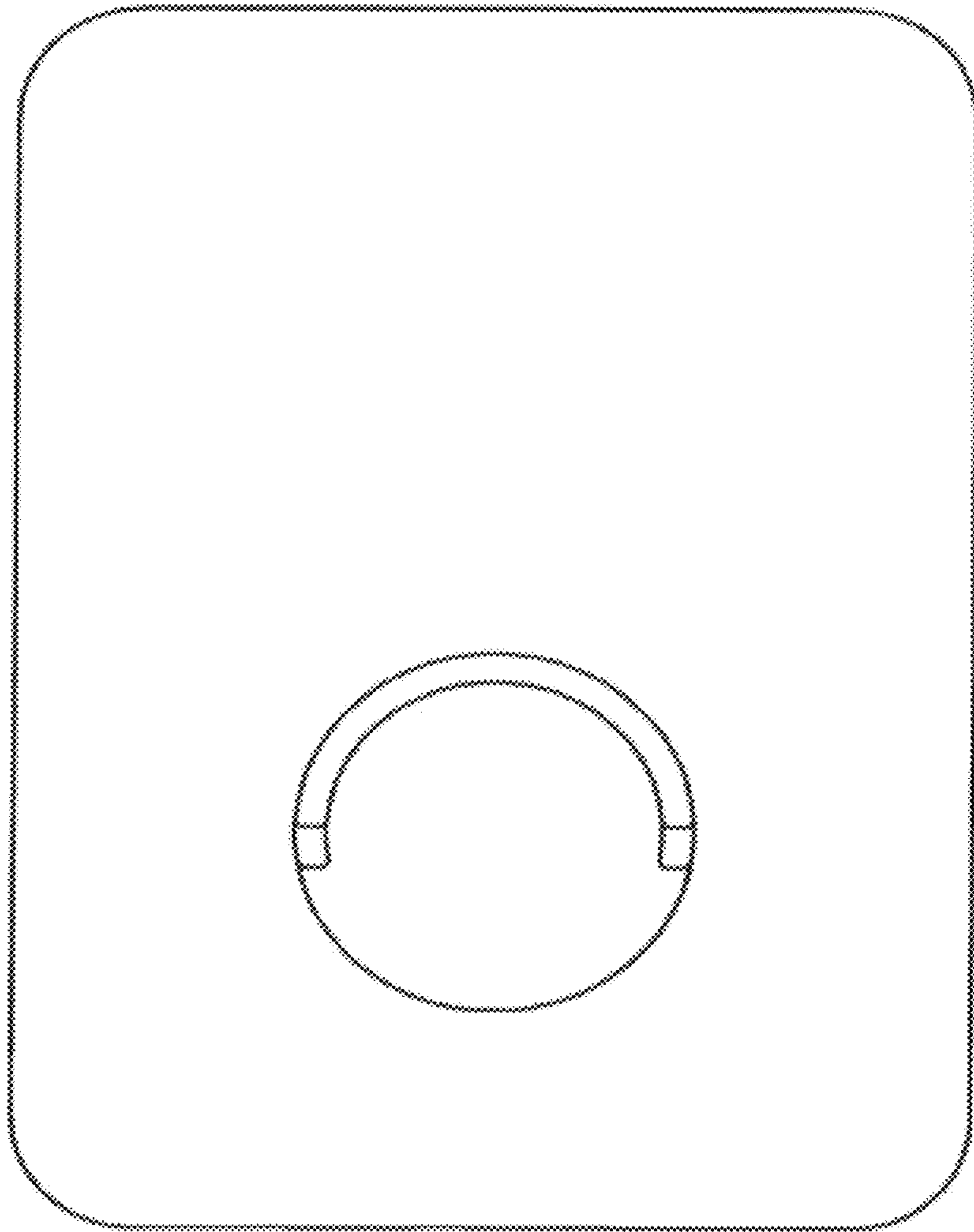


Figure 2

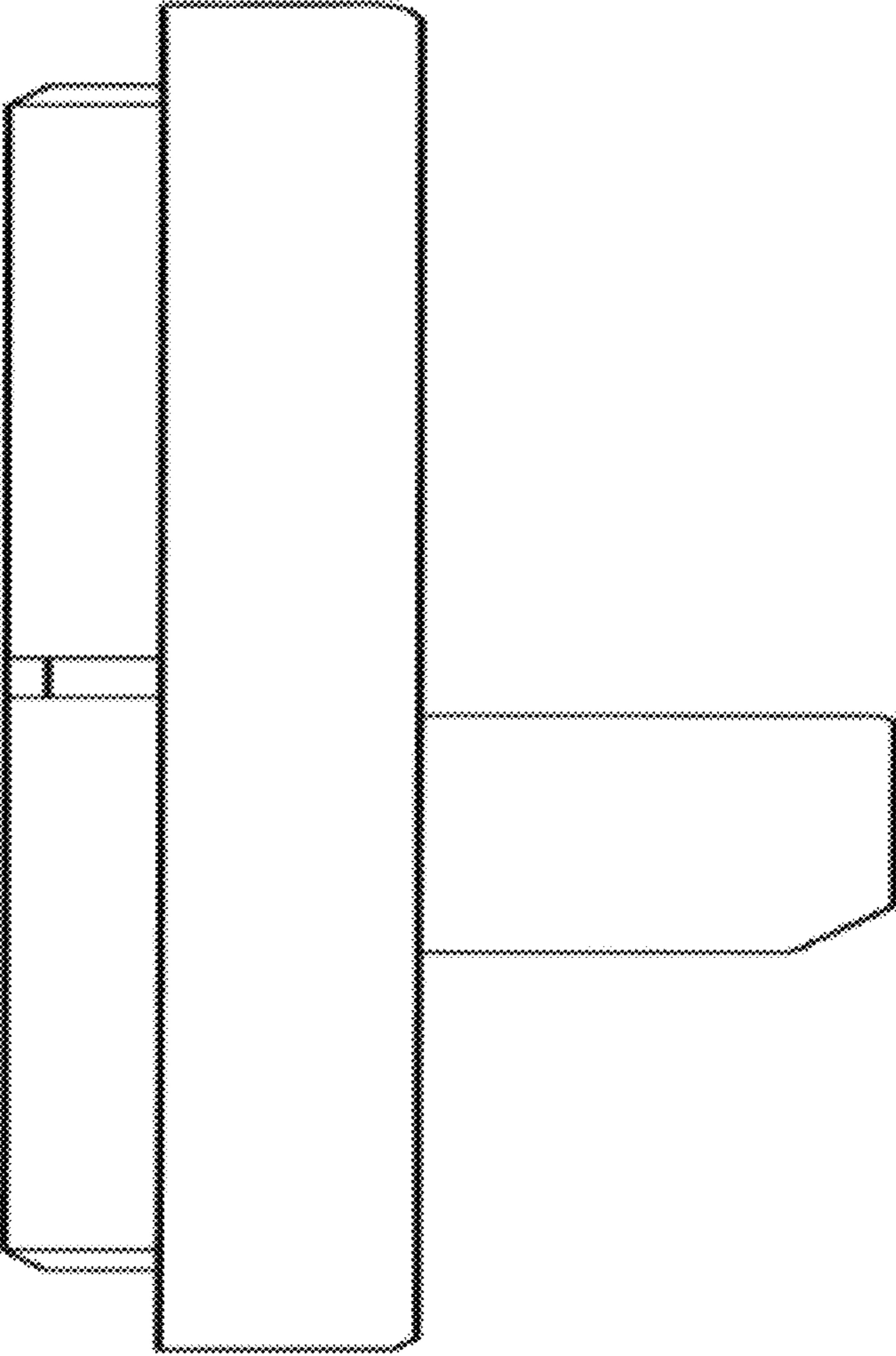


Figure 3

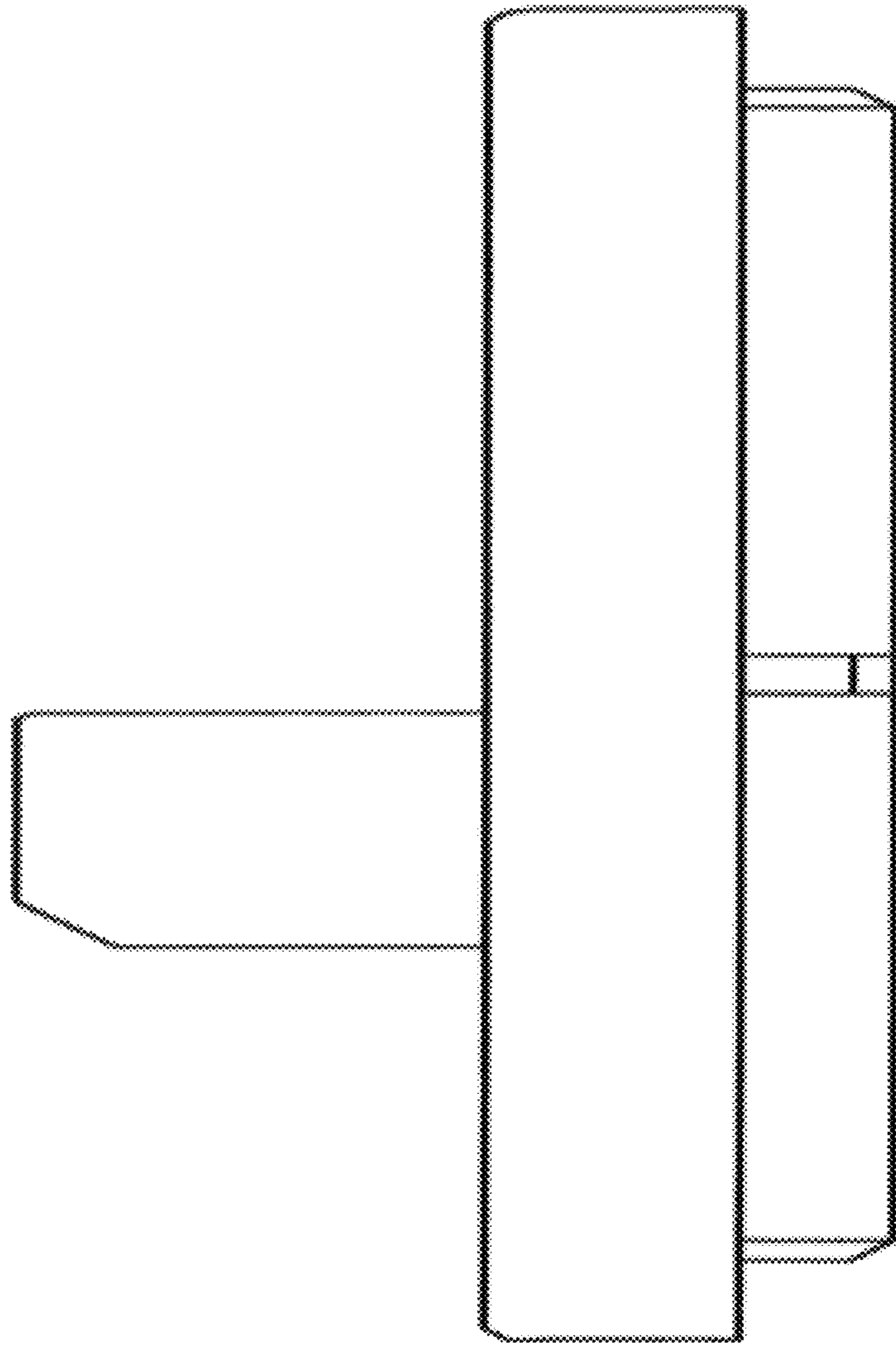


Figure 4

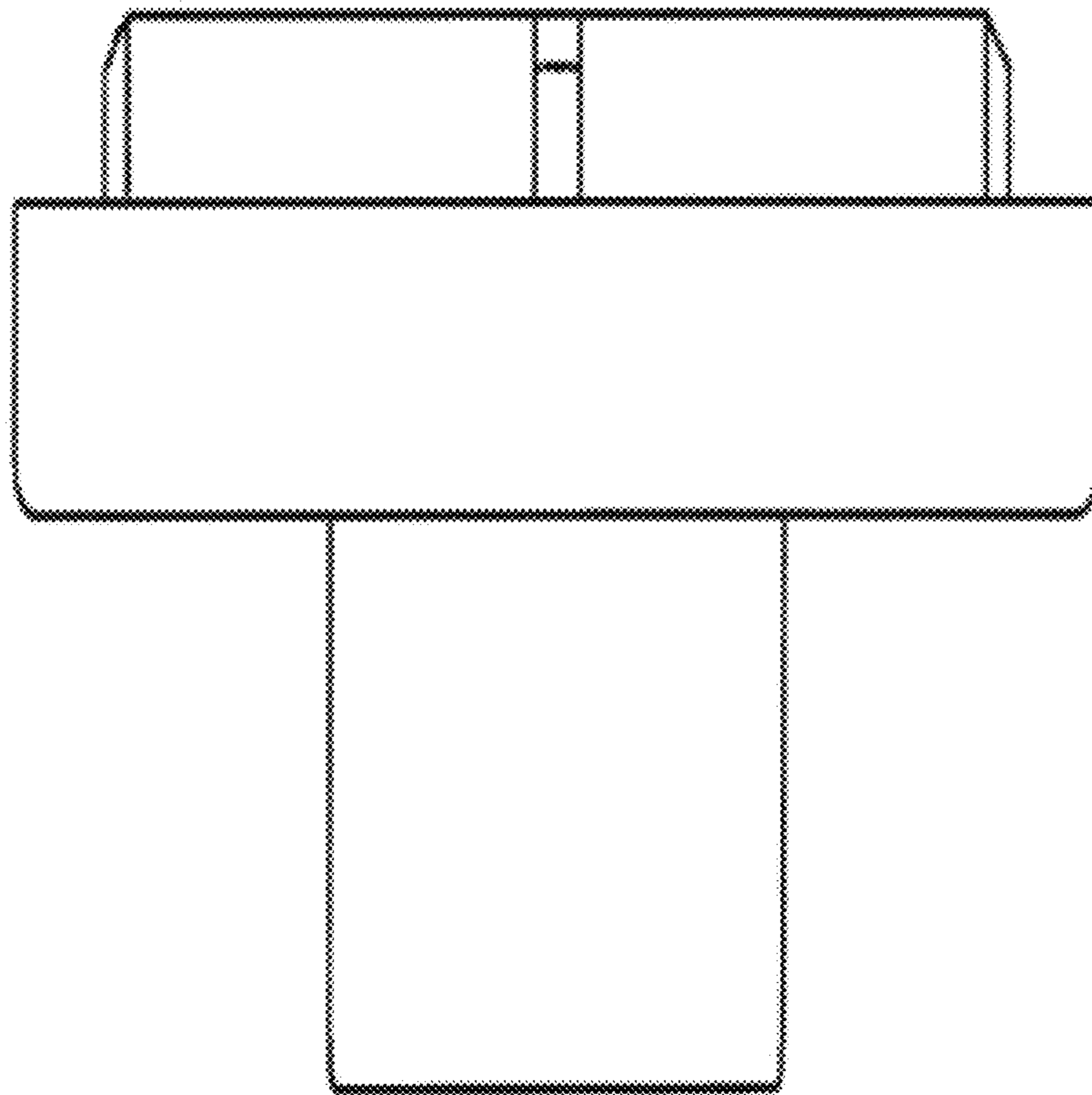


Figure 5

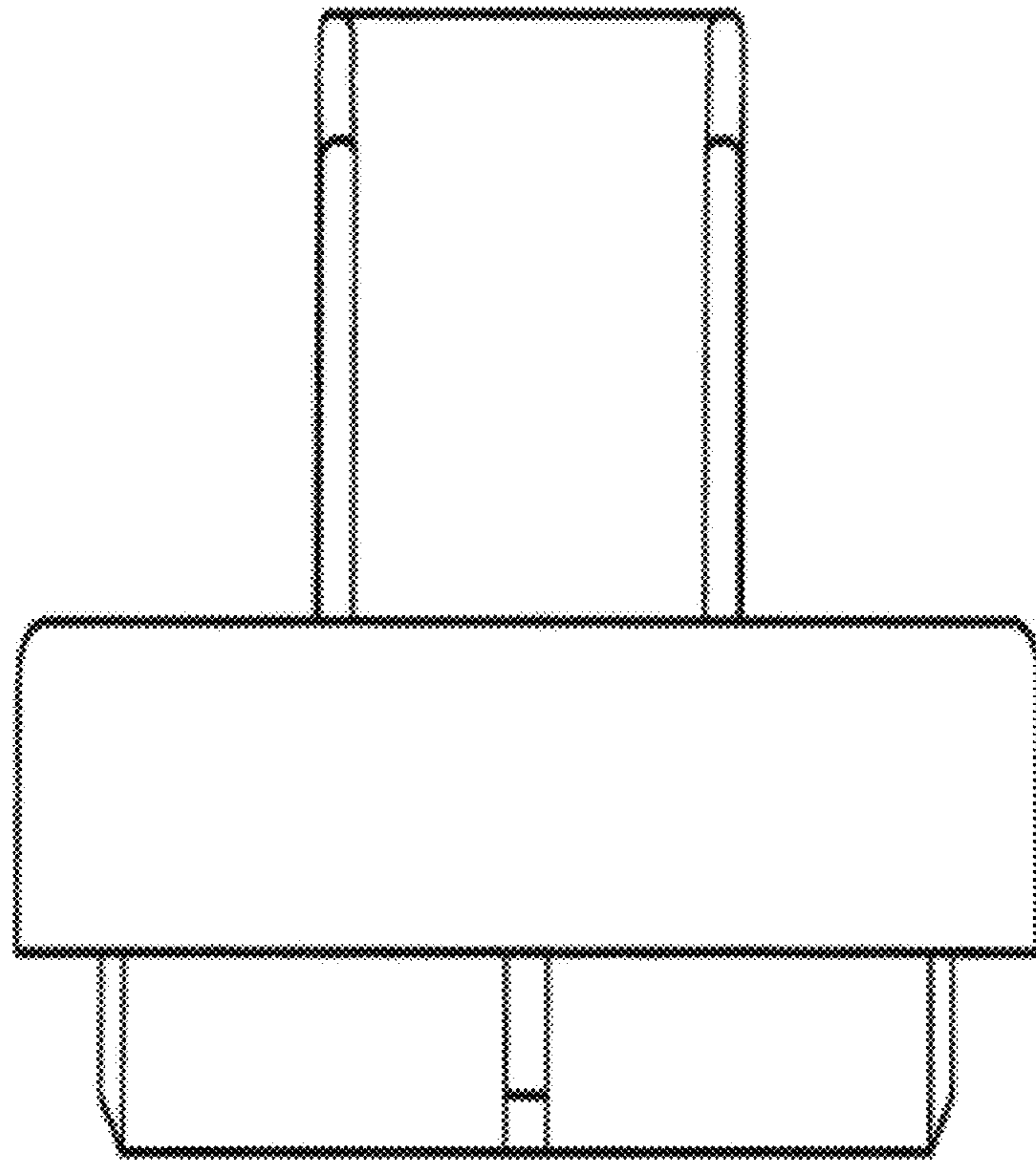


Figure 6

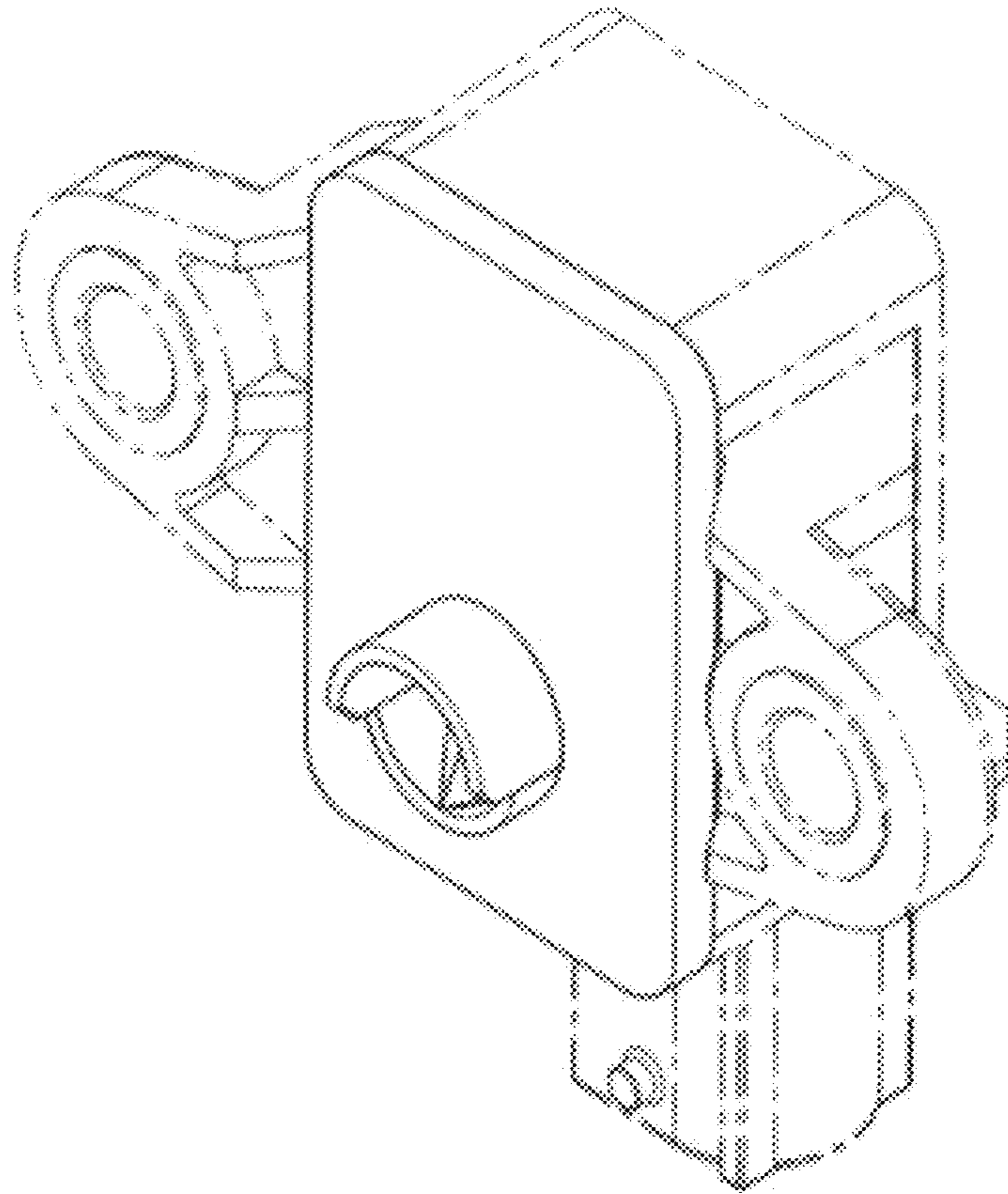


Figure 7