



US00D666507S

(12) **United States Design Patent**
De Leo

(10) **Patent No.:** **US D666,507 S**

(45) **Date of Patent:** **** Sep. 4, 2012**

(54) **MEASURING SPOON**

(75) Inventor: **Anthony M. De Leo**, Orlando, FL (US)

(73) Assignee: **Dart Industries Inc.**, Orlando, FL (US)

(**) Term: **14 Years**

(21) Appl. No.: **29/395,591**

(22) Filed: **Feb. 24, 2012**

(51) **LOC (9) Cl.** **10-04**

(52) **U.S. Cl.** **D10/46.2**

(58) **Field of Classification Search** D10/46.2,
D10/46.3; D7/691, 692; 294/176, 180;
73/426-429; 30/324-328

See application file for complete search history.

(56) **References Cited**

U.S. PATENT DOCUMENTS

D198,580 S *	7/1964	Swett et al.	D7/672
D213,719 S *	4/1969	Gerlich	D10/46.2
D247,412 S *	3/1978	Montesi	D10/46.3
D247,869 S *	5/1978	Montesi	D10/46.2
D256,311 S *	8/1980	Daenen	D10/46.3
D319,985 S *	9/1991	Crawford et al.	D10/46.2
D394,014 S *	5/1998	Laib	D10/46.2
D396,011 S *	7/1998	Henriksson	D10/46.2
D486,745 S *	2/2004	Mastroianni	D10/46.2
D488,079 S *	4/2004	Mastroianni	D10/46.3
D495,964 S *	9/2004	Overthun et al.	D10/46.2

D503,317 S *	3/2005	Anderson	D7/691
D511,437 S *	11/2005	Brown	D7/602
D518,391 S *	4/2006	McGuyer	D10/46.2
D519,333 S *	4/2006	Stewart	D7/691
D571,674 S *	6/2008	Carallo	D10/46.2
D594,353 S *	6/2009	Kortleven	D10/46.3
D615,886 S *	5/2010	Pallotto	D10/46.2
D621,729 S *	8/2010	Blust et al.	D10/46.3
D624,836 S *	10/2010	Blust et al.	D10/46.3

* cited by examiner

Primary Examiner — Terry Wallace

(74) *Attorney, Agent, or Firm* — John A. Doninger

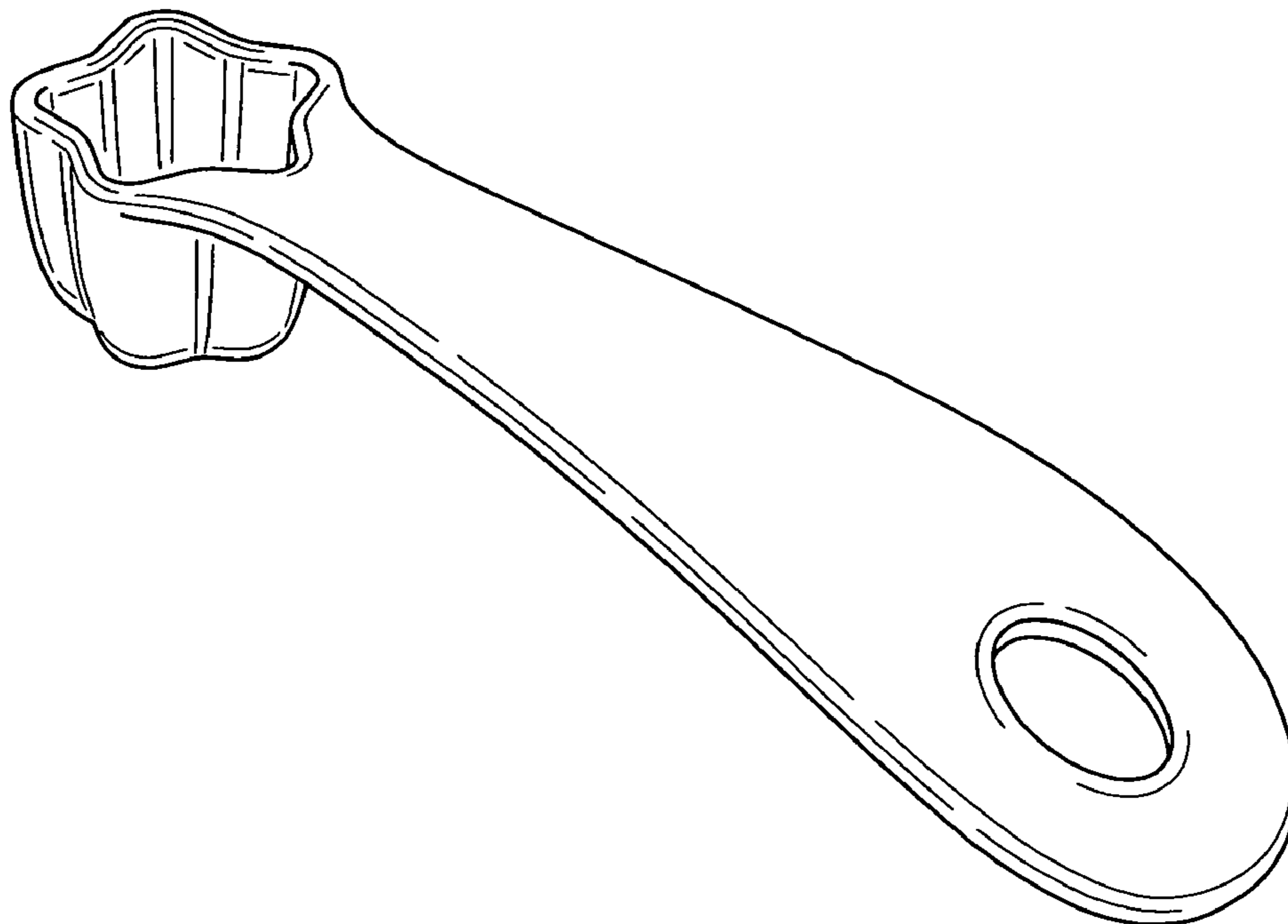
(57) **CLAIM**

The ornamental design for measuring spoon, as shown and described.

DESCRIPTION

FIG. 1 is a top, side and front perspective view of measuring spoon showing my new design;
 FIG. 2 is a bottom, side and front elevation view thereof;
 FIG. 3 is a front elevation view, the rear elevation being a mirror image thereof;
 FIG. 4 is a left side elevation view thereof;
 FIG. 5 is a right side elevation view thereof;
 FIG. 6 is a top plan view thereof; and,
 FIG. 7 is a bottom plan view thereof.

1 Claim, 2 Drawing Sheets



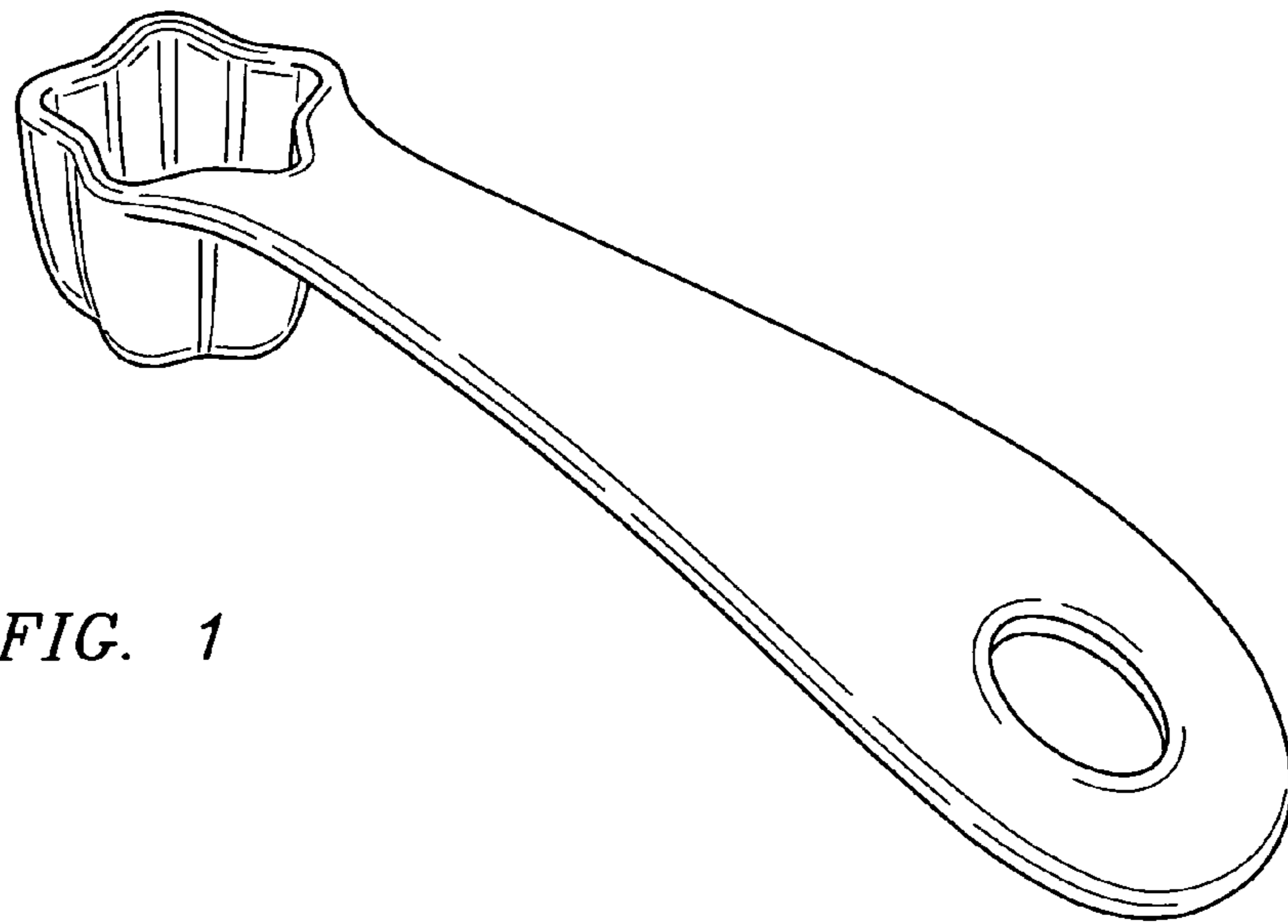


FIG. 1

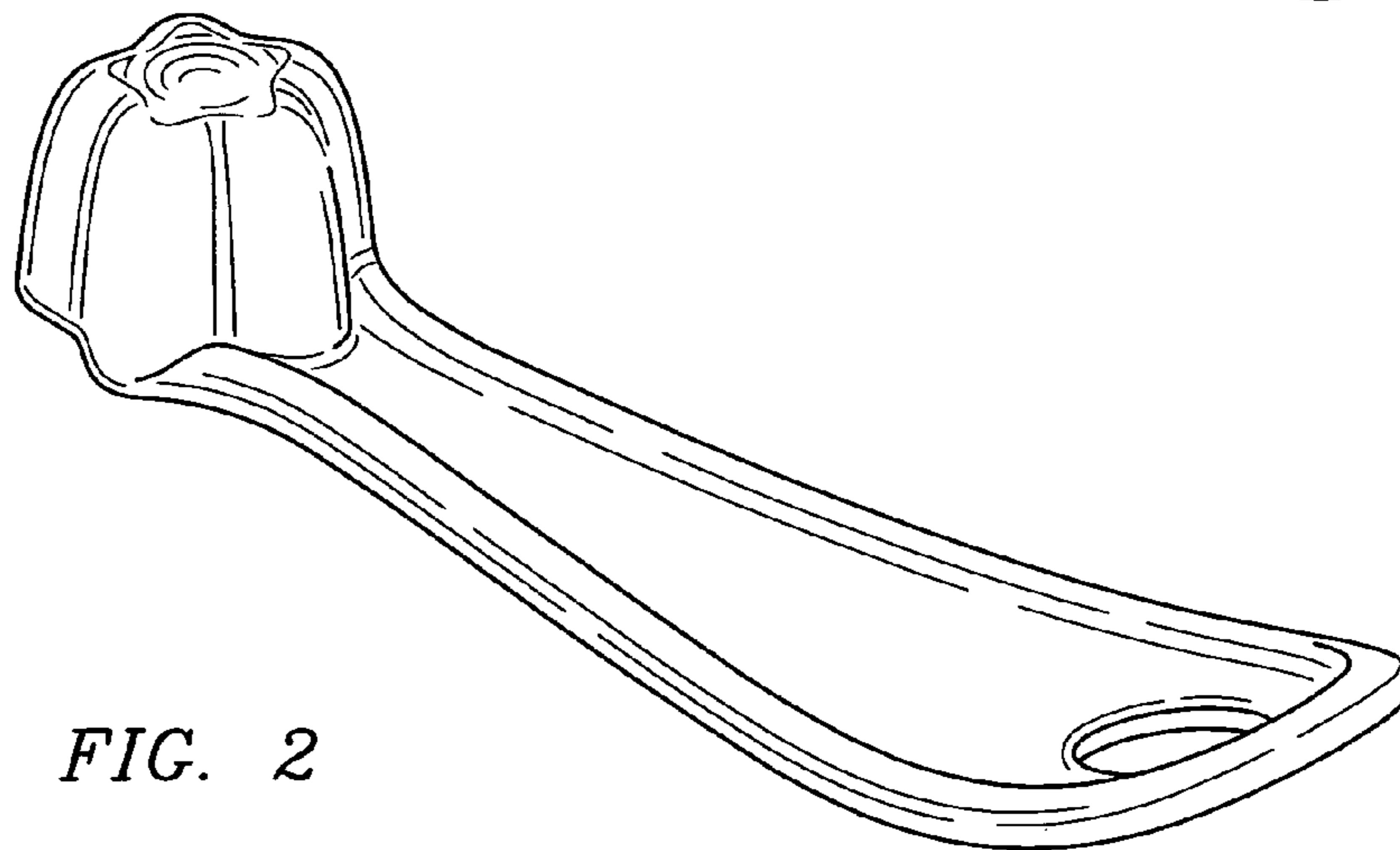


FIG. 2

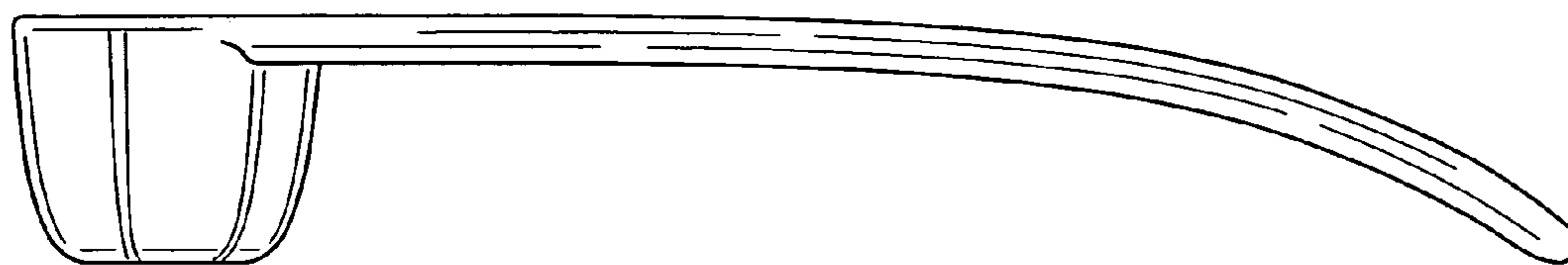


FIG. 3

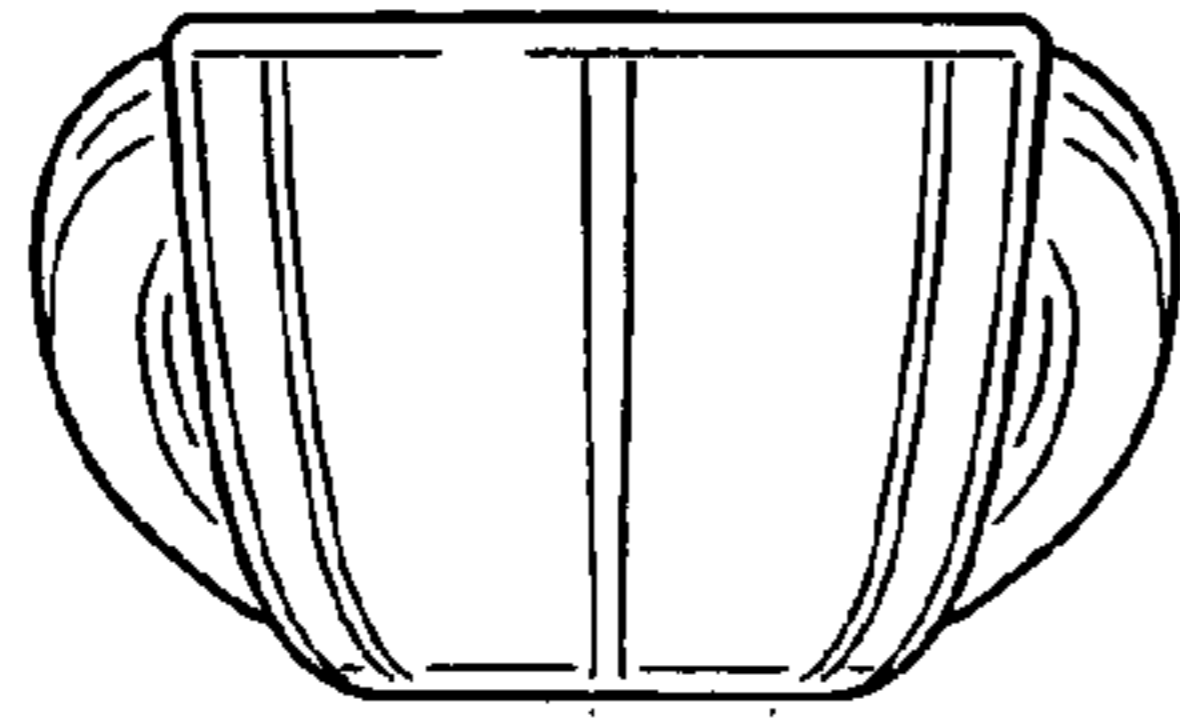


FIG. 4

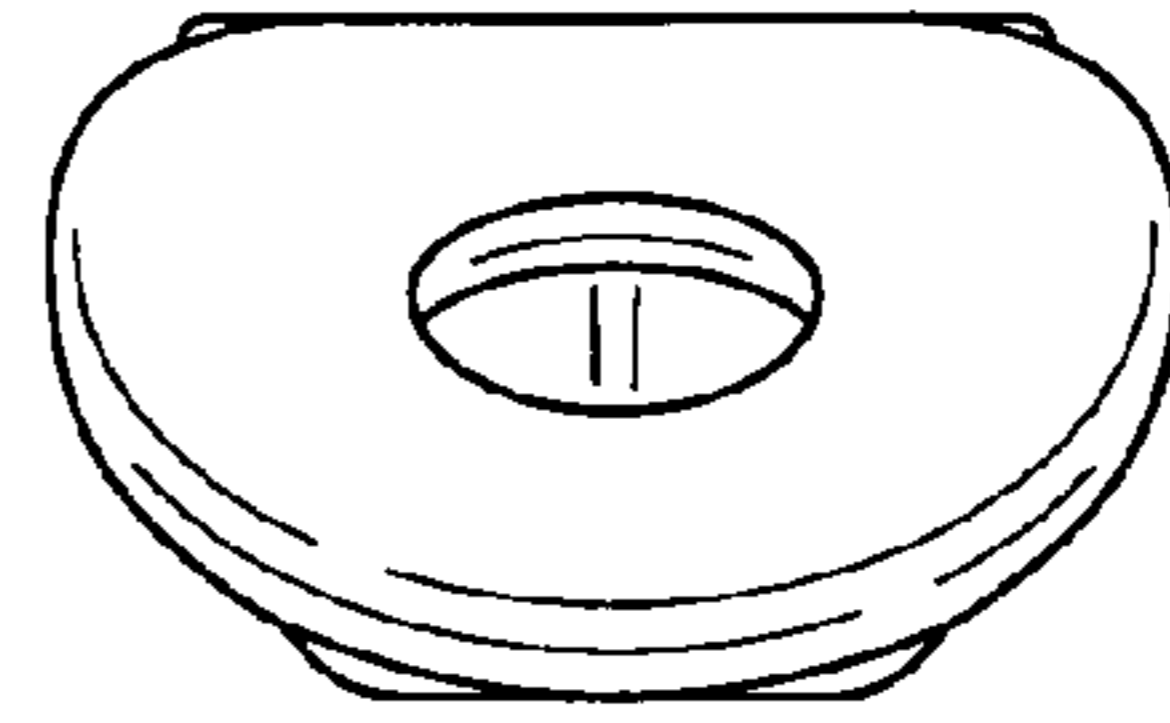


FIG. 5

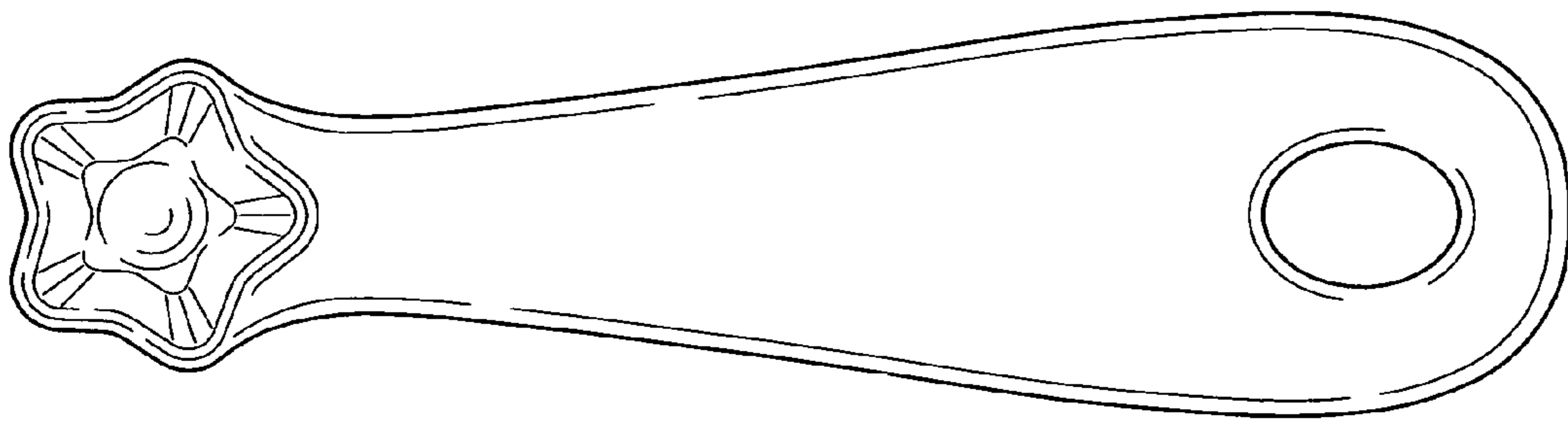


FIG. 6

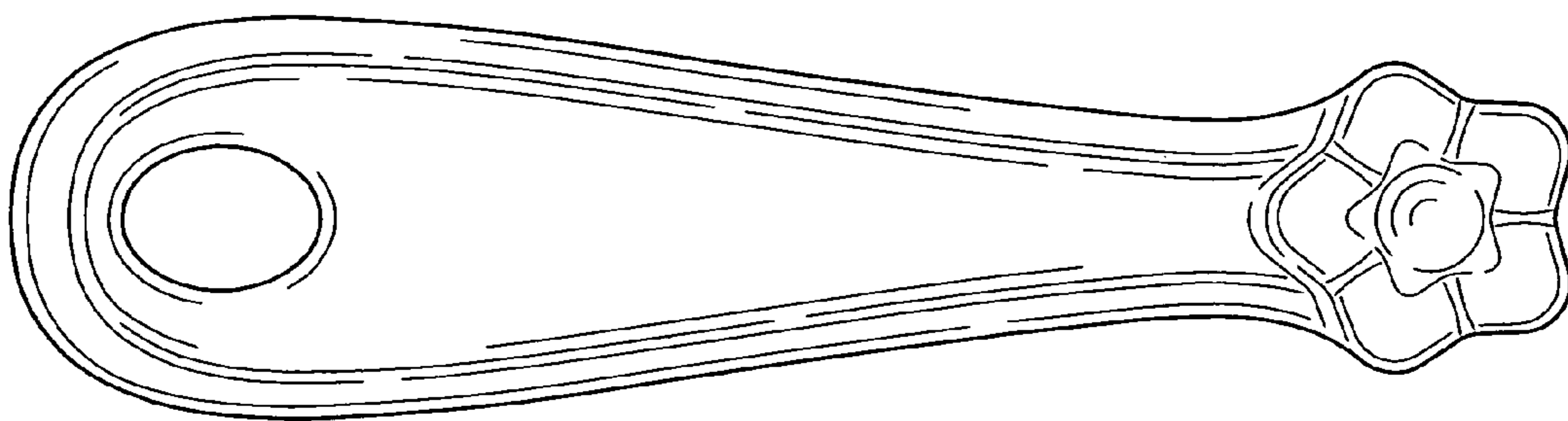


FIG. 7