

US00D666504S

(12) **United States Design Patent**
Koutsolioutsos

(10) **Patent No.:** **US D666,504 S**

(45) **Date of Patent:** **** Sep. 4, 2012**

(54) **WATCH**

(75) **Inventor:** **Dimitris Koutsolioutsos, Athens (GR)**

(73) **Assignee:** **Duty Free Shops S.A., Athens (GR)**

(**) **Term:** **14 Years**

(21) **Appl. No.:** **29/415,447**

(22) **Filed:** **Mar. 9, 2012**

(51) **LOC (9) Cl.** **10-02**

(52) **U.S. Cl.** **D10/32; D10/33**

(58) **Field of Classification Search** **D10/30-39,**
D10/123-126, 12; 368/276, 281, 282, 223,
368/80, 228, 232; D11/3

See application file for complete search history.

(56) **References Cited**

U.S. PATENT DOCUMENTS

D153,217 S *	3/1949	Hansen	D10/126
D240,718 S *	7/1976	Hertz	D10/126
D264,945 S *	6/1982	Pennell	D10/32
D331,021 S *	11/1992	Ishii et al.	D10/31
D386,424 S *	11/1997	Sang	D10/30
D416,498 S *	11/1999	Blondin	D10/39
D423,949 S *	5/2000	Stoll	D10/32
D446,467 S *	8/2001	Lepeu et al.	D11/3
D459,242 S *	6/2002	Wunderman	D10/32

D574,733 S *	8/2008	Blair	D10/32
D607,346 S *	1/2010	Bove et al.	D10/38
D610,472 S *	2/2010	Nashimoto	D10/32
D618,565 S *	6/2010	Dolce et al.	D10/38
D632,592 S *	2/2011	Actis-Datta	D10/32
D637,092 S *	5/2011	Mille	D10/32
D649,889 S *	12/2011	Giannini	D10/32
D650,707 S *	12/2011	Bellon	D10/38

* cited by examiner

Primary Examiner — Lucy Lieberman

(74) *Attorney, Agent, or Firm* — Kilpatrick Townsend & Stockton LLP

(57) **CLAIM**

The ornamental design for a watch, as shown and described.

DESCRIPTION

FIG. 1 is a perspective view of a watch showing my new design;

FIG. 2 is a top plan view thereof;

FIG. 3 is a bottom plan view thereof;

FIG. 4 is a first side elevational view thereof;

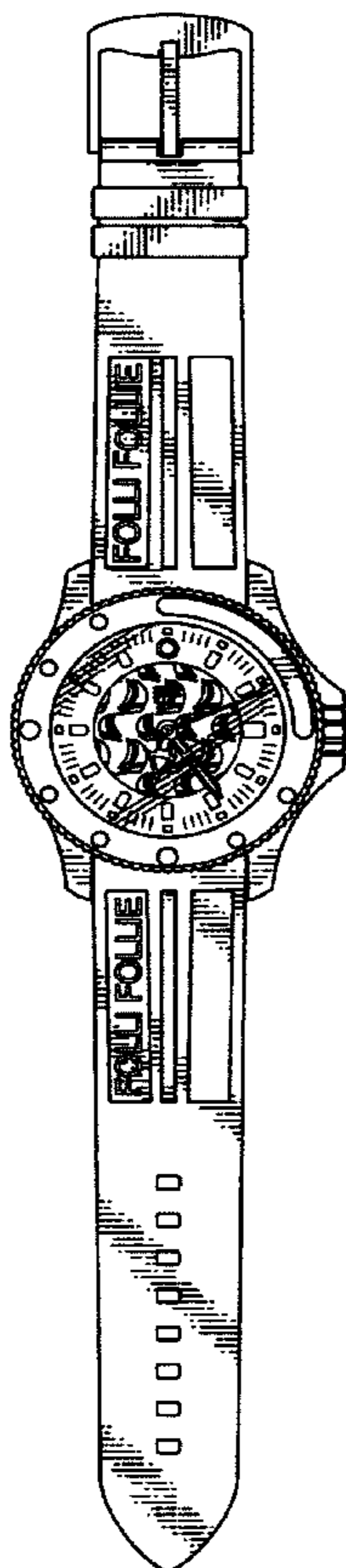
FIG. 5 is a second side elevational view thereof;

FIG. 6 is a right side elevational view thereof;

FIG. 7 is a left side elevational view thereof; and,

FIG. 8 is a perspective view of the watch of FIG. 1 shown with the band in a closed position.

1 Claim, 5 Drawing Sheets



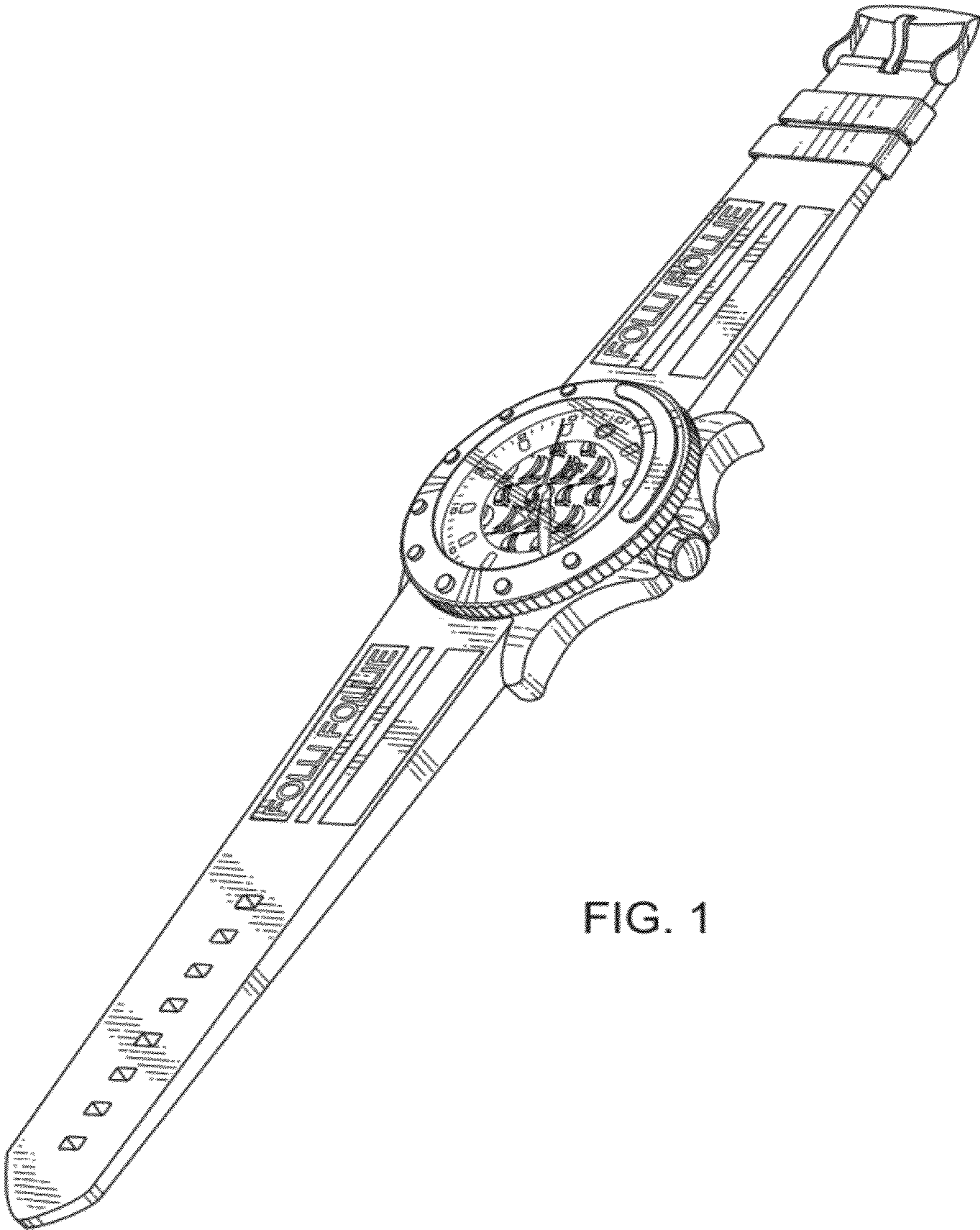


FIG. 1

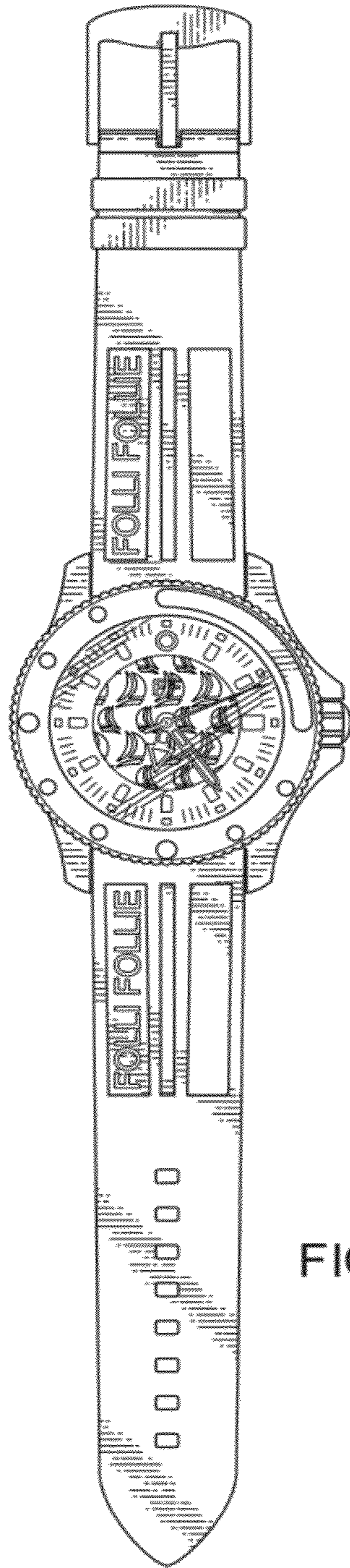


FIG. 2

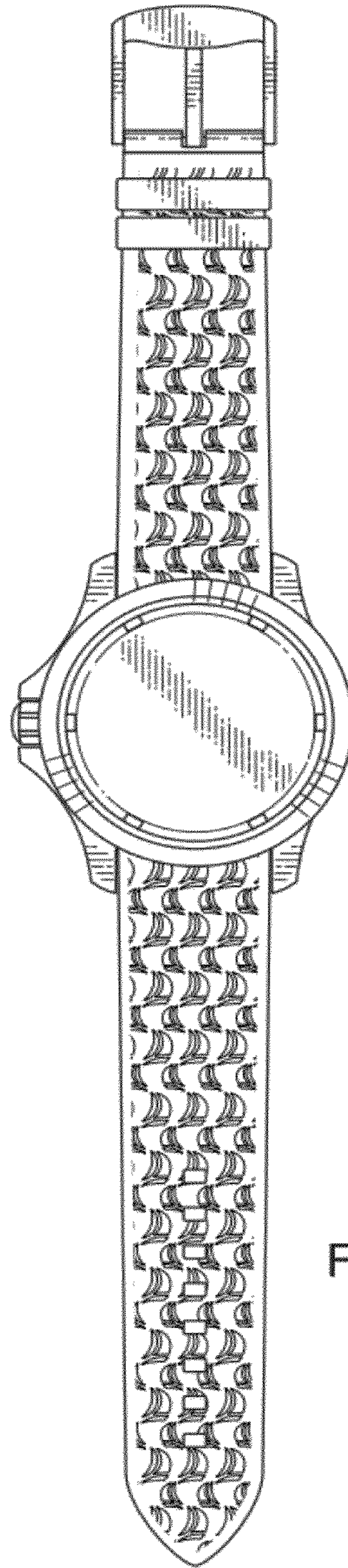


FIG. 3

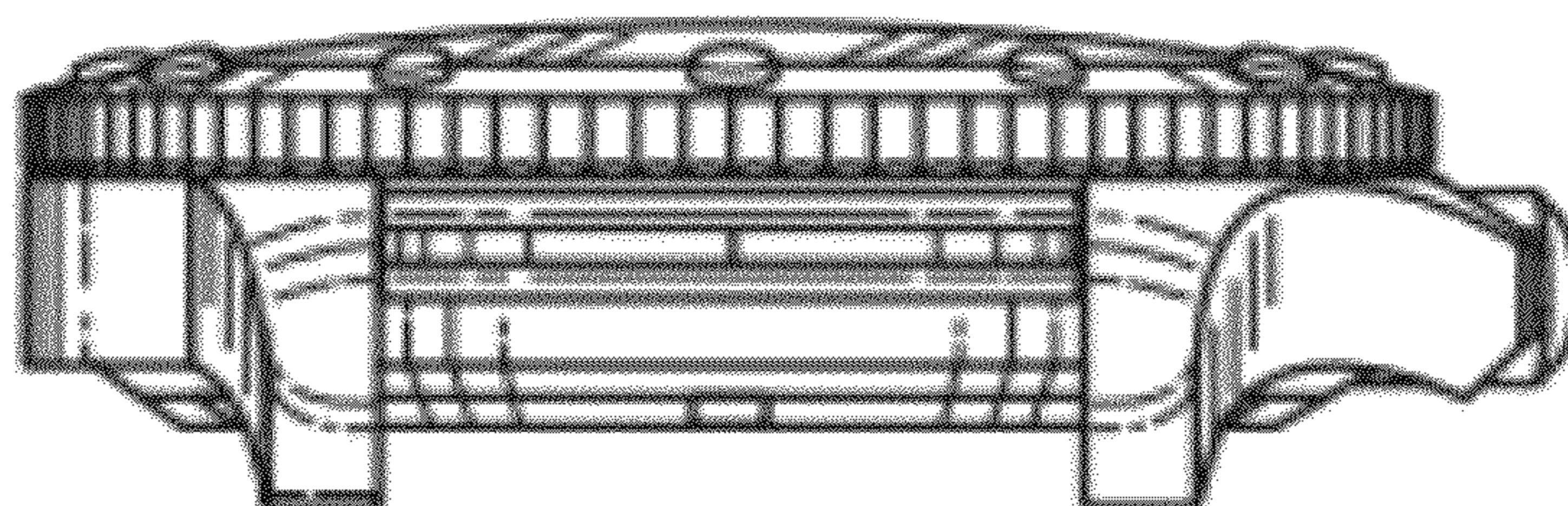


FIG. 4

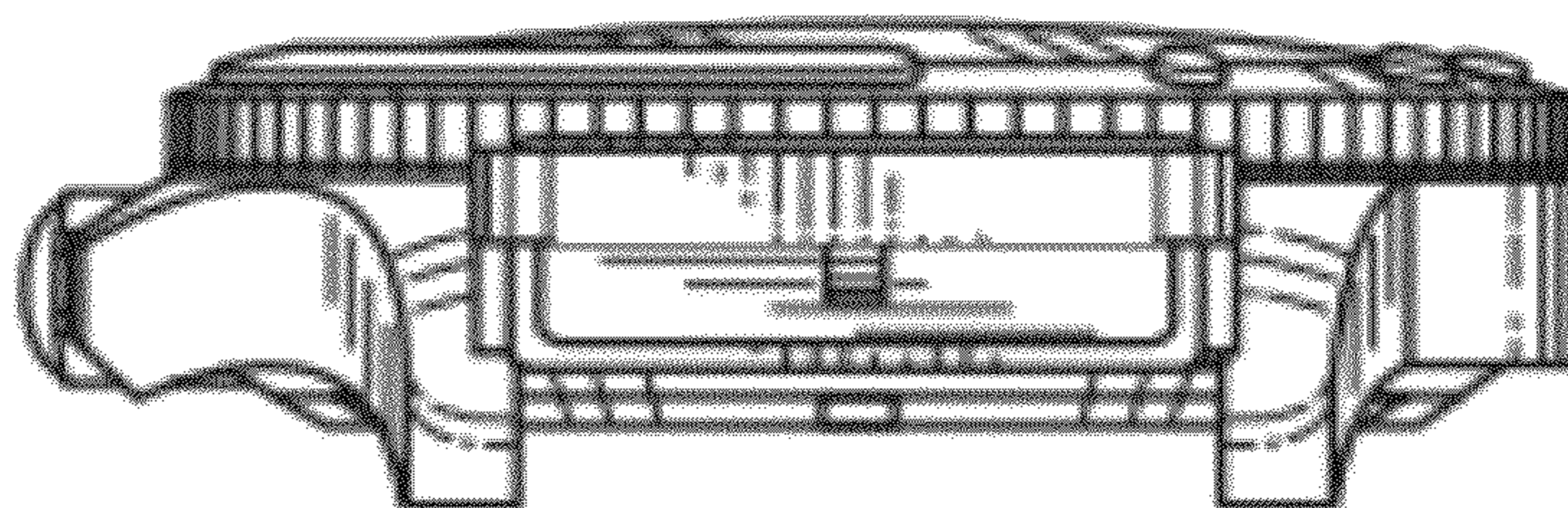


FIG. 5

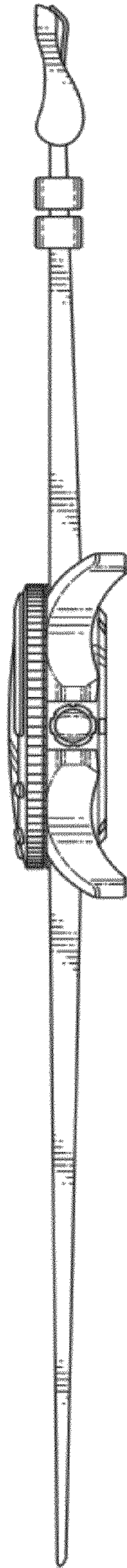


FIG. 6

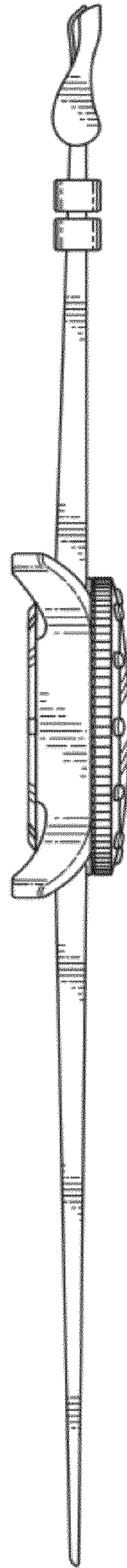


FIG. 7



FIG. 8