

US00D666501S

(12) **United States Design Patent**
Brummelhuis et al.

(10) **Patent No.:** **US D666,501 S**
(45) **Date of Patent:** **** Sep. 4, 2012**

(54) **BOTTLE WITH PUMP**

(75) Inventors: **Bas Jeroen ten Brummelhuis**, Shanghai (CN); **Andrew Peter Sharpe**, Wirral (GB)

(73) Assignee: **Conopco, Inc.**, Englewood Cliffs, NJ (US)

(**) Term: **14 Years**

(21) Appl. No.: **29/397,530**

(22) Filed: **Jul. 18, 2011**

(30) **Foreign Application Priority Data**

Jan. 28, 2011 (EM) 001812512-0001

(51) **LOC (9) Cl.** **09-01**

(52) **U.S. Cl.** **D9/694**

(58) **Field of Classification Search** D9/682-694,
D9/516-575, 434-454; 215/379-385;
220/669-675; 222/129, 135, 153.01, 153.03,
222/153.04, 153.09, 153.11-153.14, 182,
222/631, 635, 209, 211-213, 215, 321.7-321.9,
222/372, 373, 378, 379, 383.1, 384-386,
222/398, 400.7, 400.8, 401, 402.1-402.25
See application file for complete search history.

(56) **References Cited**

U.S. PATENT DOCUMENTS

D94,703 S * 2/1935 McLaughlin D9/542
D110,504 S * 7/1938 Steuer D9/542
D256,774 S * 9/1980 Bedin D9/542
D338,828 S * 8/1993 Segati D9/694
D419,864 S * 2/2000 Kuzma et al. D9/682
D441,296 S * 5/2001 Majerowski D9/542
D444,390 S * 7/2001 Kokenge et al. D9/542
D451,402 S * 12/2001 Kokenge et al. D9/549
D460,697 S * 7/2002 Del Bon D9/565
D497,554 S * 10/2004 Le Bourg D9/566
D505,079 S * 5/2005 Mulder et al. D9/542
D519,383 S * 4/2006 Stolle D9/565

D522,876 S * 6/2006 Braaten et al. D9/691
D539,665 S * 4/2007 Haubert et al. D9/686
D554,517 S * 11/2007 Breitlander D9/558
D559,114 S * 1/2008 Breitlander D9/558
D563,233 S * 3/2008 Patzak D9/558
D565,424 S * 4/2008 Moriya D9/694
D569,736 S * 5/2008 Oates et al. D9/694
D591,613 S * 5/2009 Mason D9/694
D597,411 S * 8/2009 Colatrella et al. D9/542
D625,606 S * 10/2010 Hirst et al. D9/542

FOREIGN PATENT DOCUMENTS

GB DES. 2011126 * 3/1991
JP 1317643 12/2007
RU 68012 7/2011

OTHER PUBLICATIONS

Co-pending application for: Applicant: Ten Brummelhuis et al.; U.S. Appl. No. 29/397,526, filed Jul. 18, 2011; entitled Bottle.
Co-pending application for: Applicant: Ten Brummelhuis et al.; U.S. Appl. No. 29/397,532, filed Jul. 18, 2011; entitled Part of Bottle.
Co-pending application for: Applicant: Ten Brummelhuis et al.; U.S. Appl. No. 29/397,534, filed Jul. 18, 2011; entitled Part of Bottle.

(Continued)

Primary Examiner — Catherine Tuttle

(74) *Attorney, Agent, or Firm* — Ronald A. Koatz

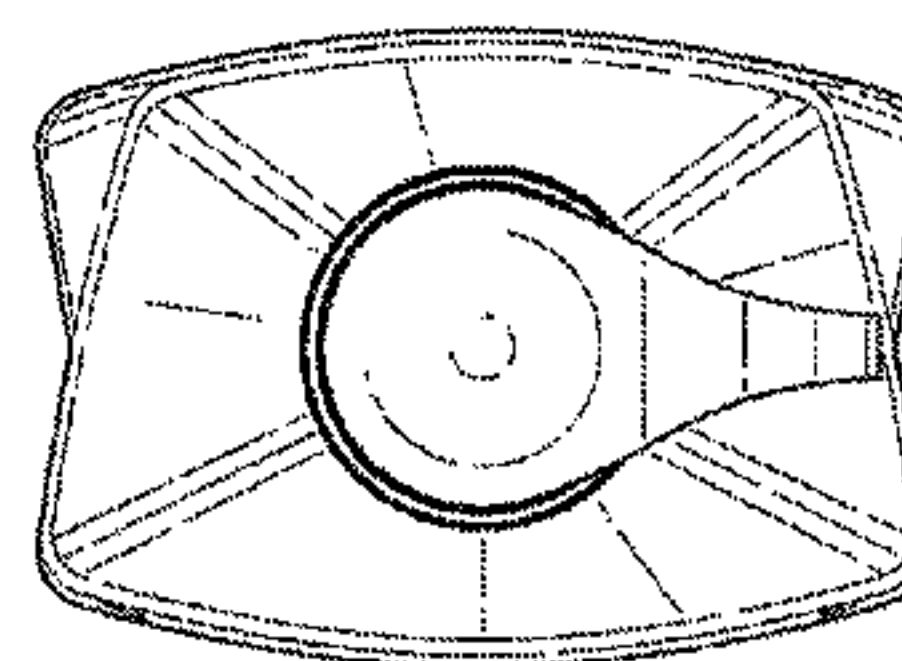
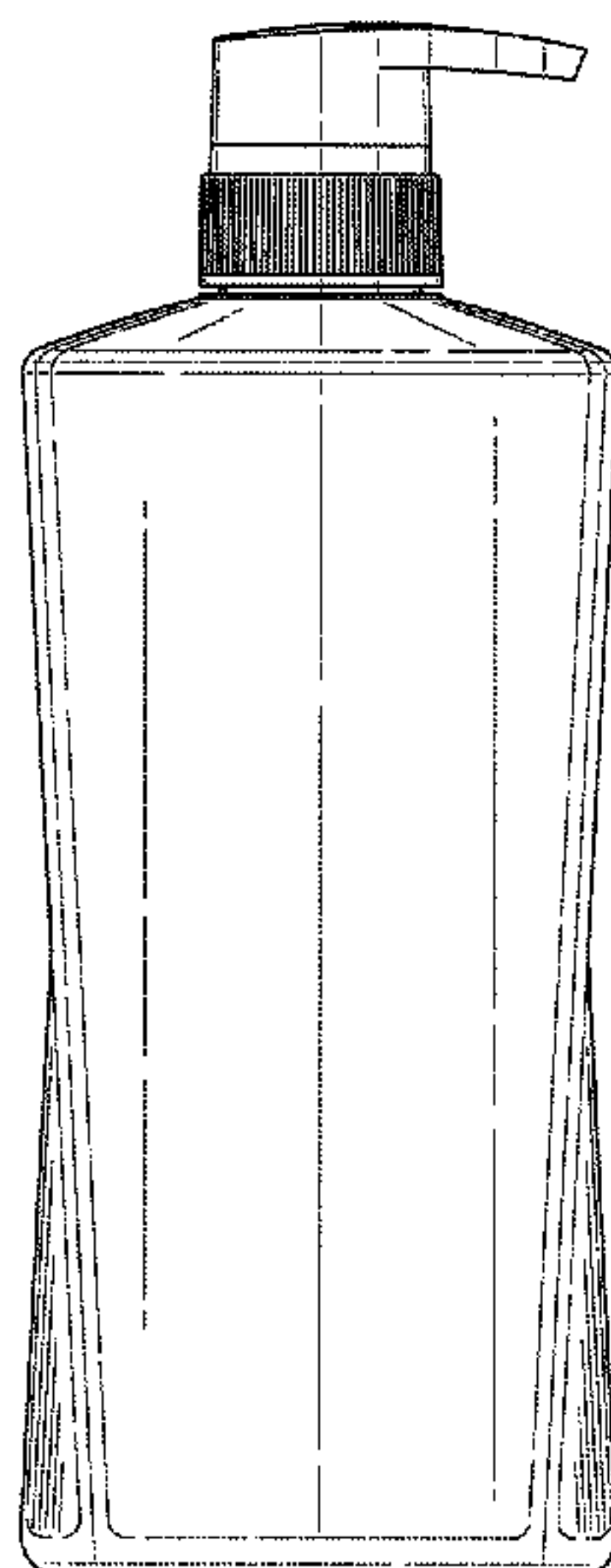
(57) **CLAIM**

The ornamental design for a bottle with pump, as shown and described.

DESCRIPTION

FIG. 1 is a top, front and side perspective view of the bottle with pump showing our new design;
FIG. 2 is a front elevational view thereof;
FIG. 3 is a rear elevational view thereof;
FIG. 4 is a right side elevational view thereof;
FIG. 5 is a left side elevational view thereof;
FIG. 6 is a top plan view thereof; and,
FIG. 7 is an underneath plan view thereof.

1 Claim, 4 Drawing Sheets



US D666,501 S

Page 2

OTHER PUBLICATIONS

Co-pending application for: Applicant: Ten Brummelhuis et al.; U.S. Appl. No. 29/397,533, filed Jul. 18, 2011; entitled Bottle.

Co-pending application for: Applicant: Ten Brummelhuis et al.; U.S. Appl. No. 29/397,537, filed Jul. 18, 2011; entitled Part of Bottle.

* cited by examiner

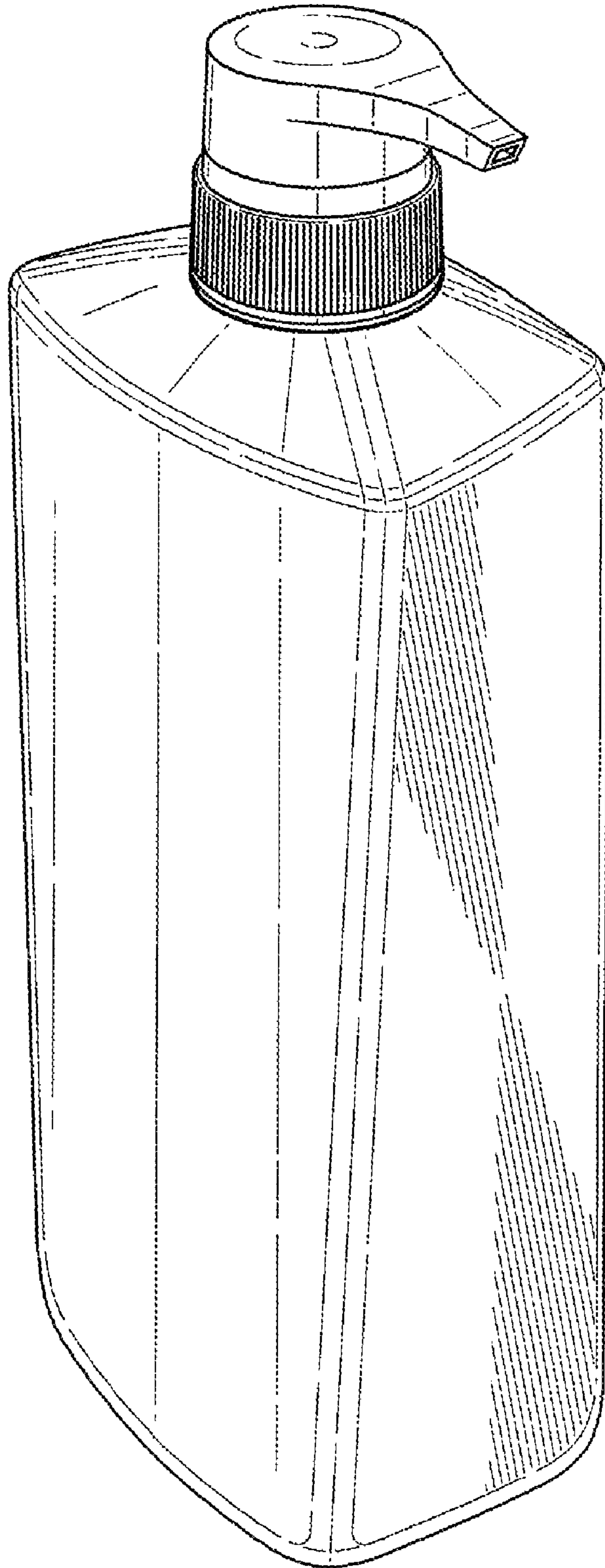


Fig. 1

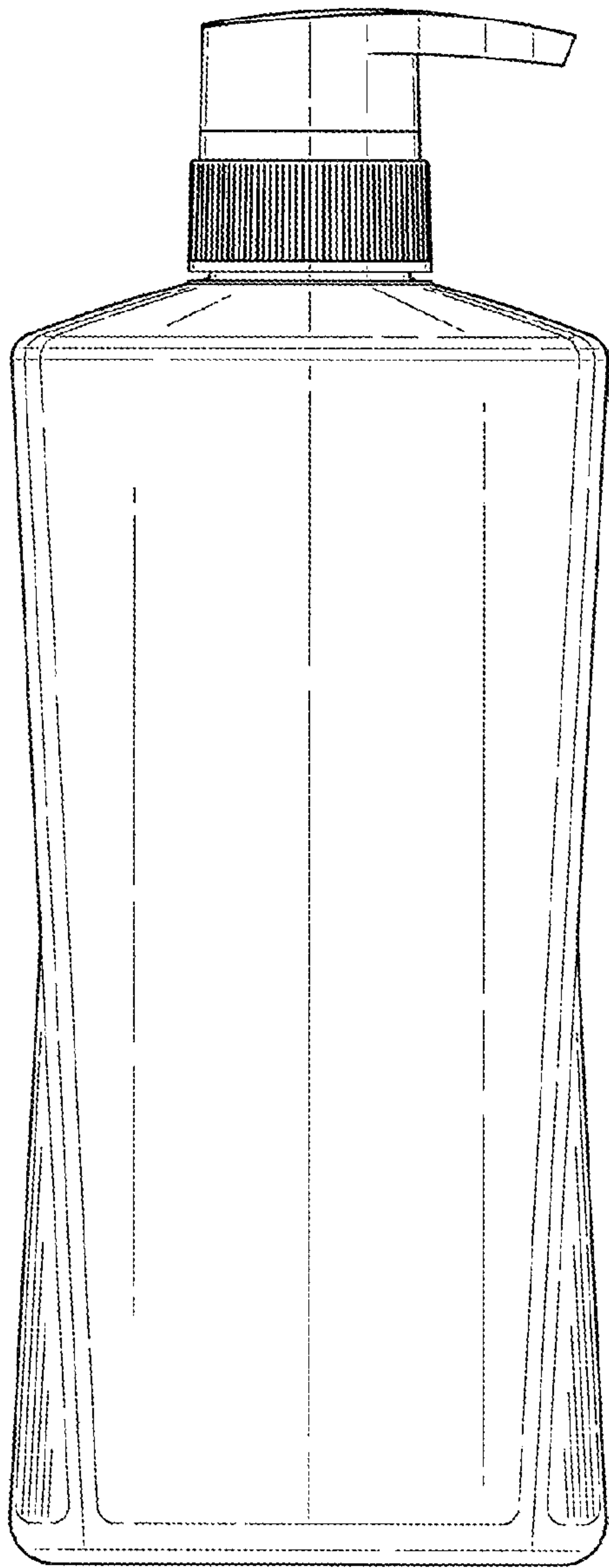


Fig. 2

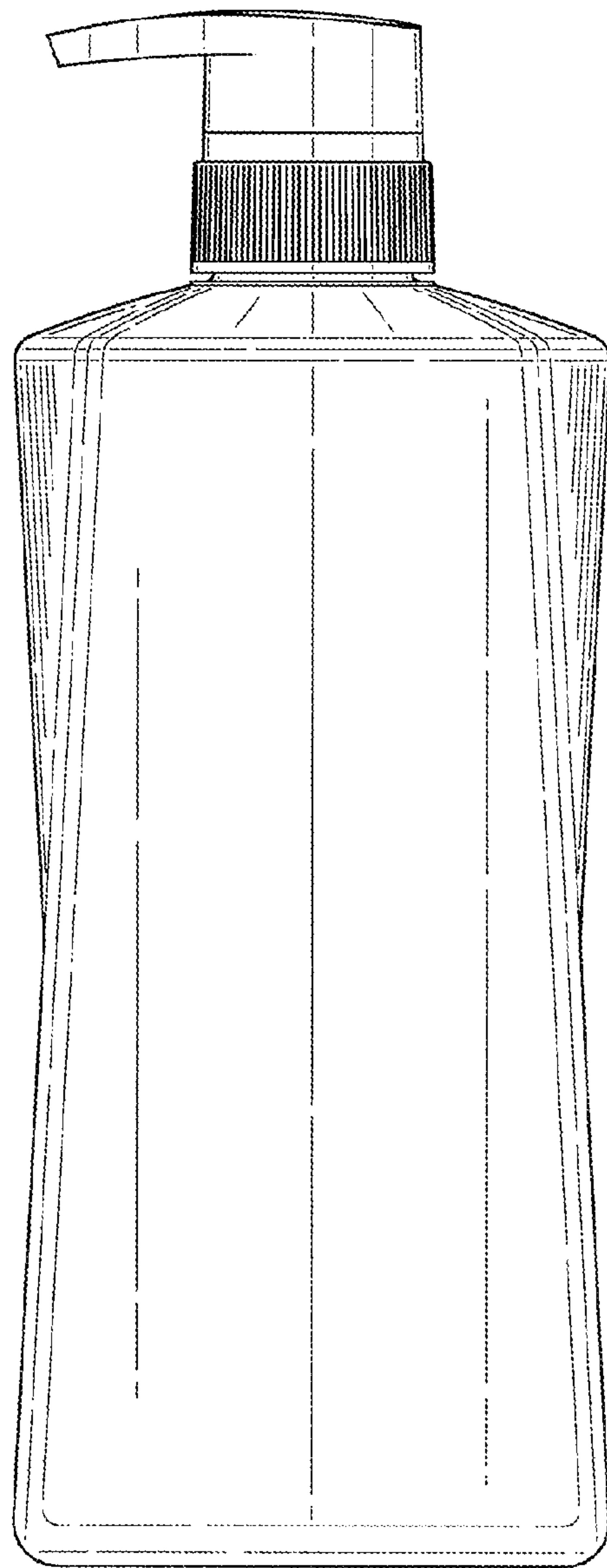


Fig. 3

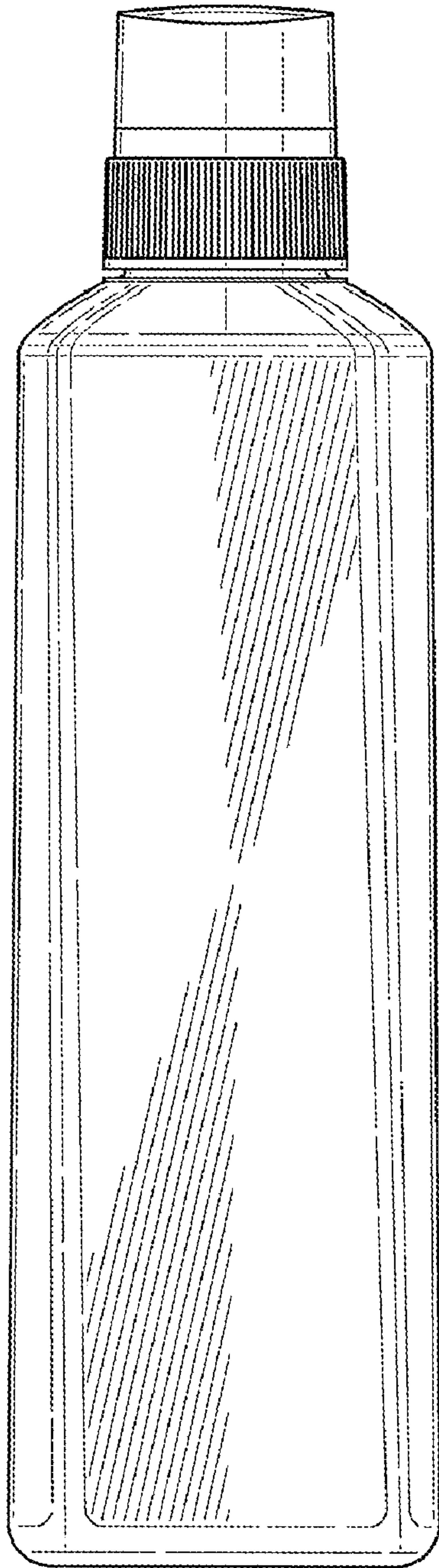


Fig. 4

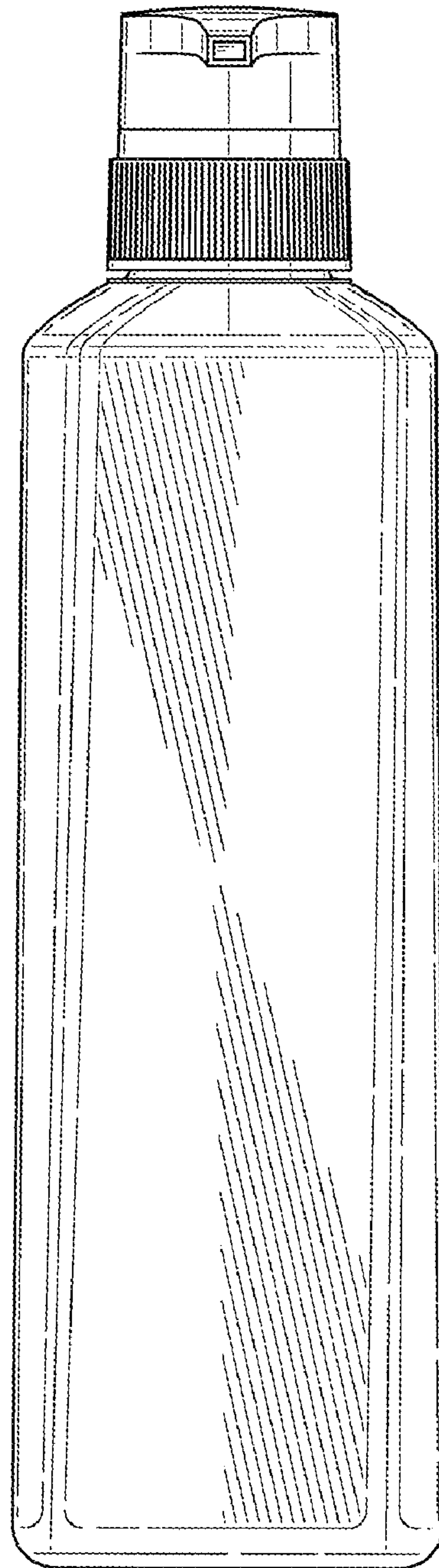


Fig. 5

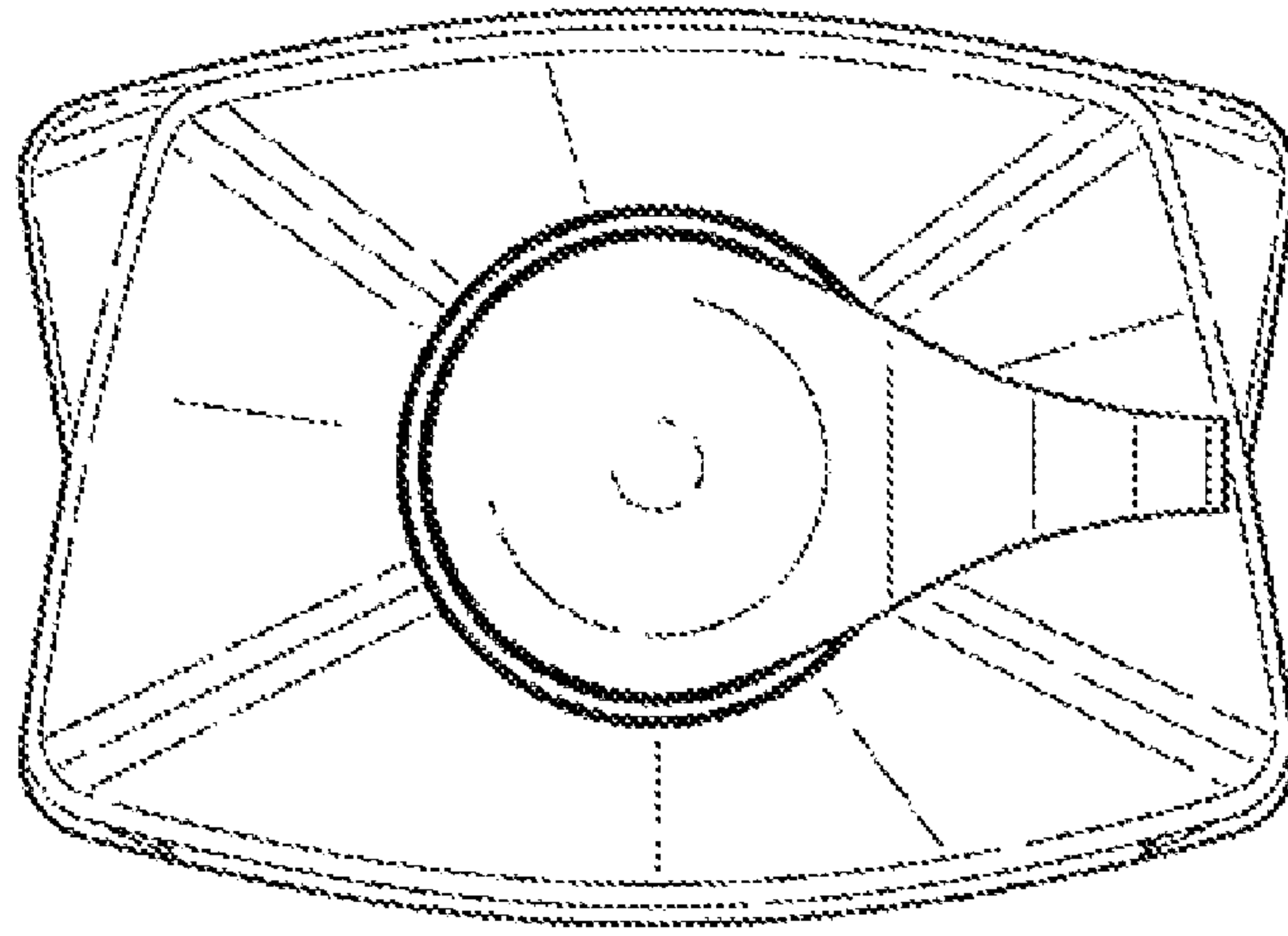


Fig. 6

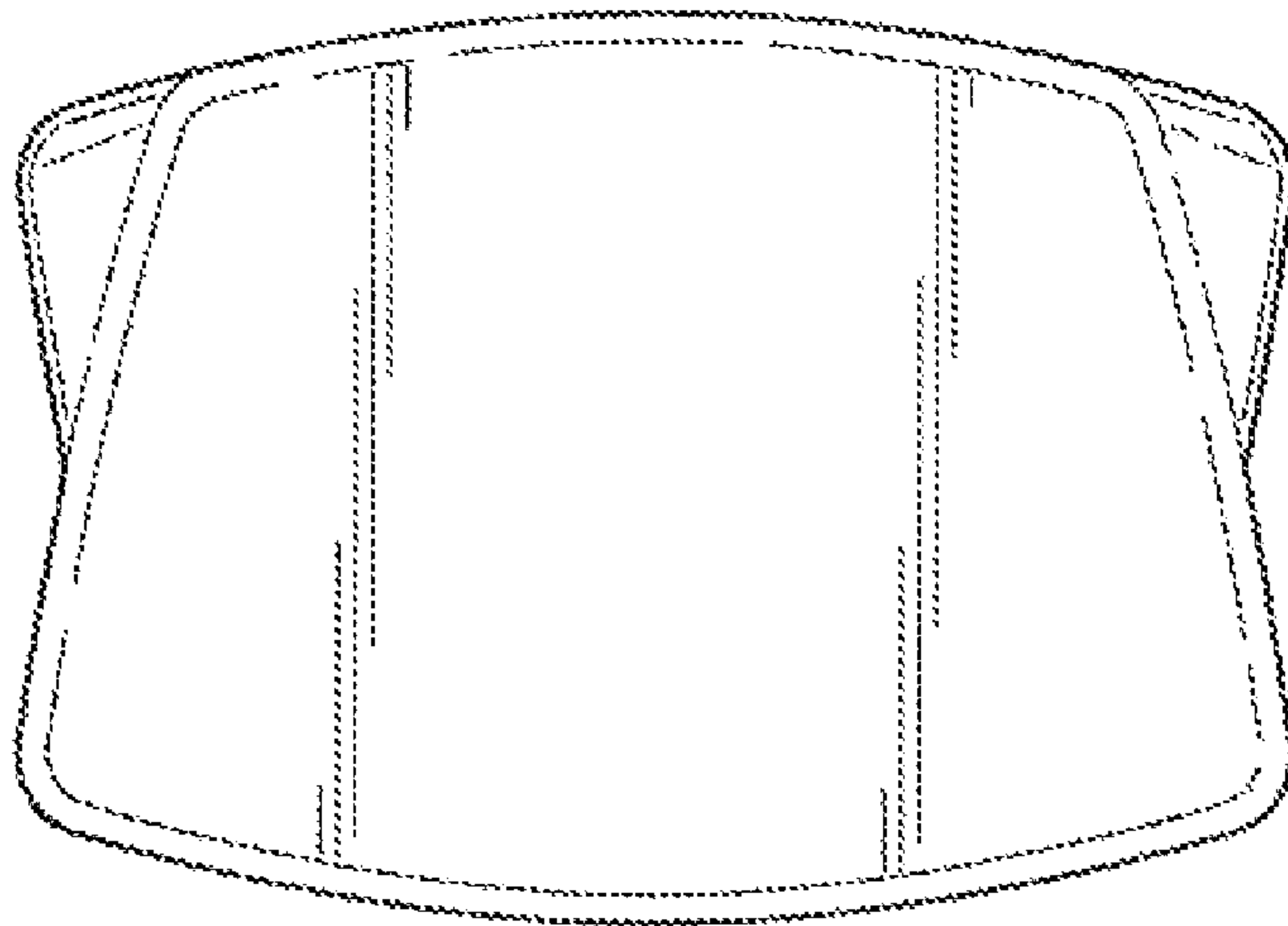


Fig. 7