

US00D666495S

(12) **United States Design Patent**  
**Biesecker et al.**

(10) **Patent No.:** **US D666,495 S**  
(45) **Date of Patent:** **\*\* Sep. 4, 2012**

- (54) **DOSAGE CAP**
- (75) Inventors: **Frederick N. Biesecker**, Boyertown, PA (US); **Gregory Sprishen**, Newtown Square, PA (US); **William Gordon Knestrick**, Macungie, PA (US); **Chris Cotellese**, Barto, PA (US)
- (73) Assignee: **Drug Plastics & Glass Company, Inc.**, Boyertown, PA (US)

5,078,289	A	1/1992	Bolton et al.
5,413,233	A	5/1995	Hall
5,794,803	A	8/1998	Sprick
5,881,894	A	3/1999	Gargano
6,209,737	B1	4/2001	Bliss
D481,640	S *	11/2003	Biesecker ..... D9/560
7,296,700	B2	11/2007	Steele, IV et al.
2007/0051689	A1 *	3/2007	Anderson ..... 215/228
2008/0073313	A1 *	3/2008	Brant ..... 215/329
2008/0314900	A1 *	12/2008	Biesecker et al. .... 220/212
2011/0017741	A1 *	1/2011	Sprishen ..... 220/288

\* cited by examiner

(\*\*) Term: **14 Years**

(21) Appl. No.: **29/379,143**

(22) Filed: **Nov. 15, 2010**

(51) **LOC (9) Cl.** ..... **09-07**

(52) **U.S. Cl.** ..... **D9/453; D9/445**

(58) **Field of Classification Search** ..... D9/560,  
D9/503, 454, 452, 445, 444, 435; D7/393;  
220/796, 377, 288, 254.8, 254.7, 254.1, 212;  
215/329, 228

See application file for complete search history.

(56) **References Cited**

**U.S. PATENT DOCUMENTS**

4,269,319	A	5/1981	Rubens
4,416,381	A	11/1983	Swartwout
4,566,509	A	1/1986	Szajna
4,747,521	A	5/1988	Saffron
4,834,251	A	5/1989	Yu

*Primary Examiner* — Susan Bennett Hattan

(74) *Attorney, Agent, or Firm* — Panitch Schwarze Belisario & Nadel LLP

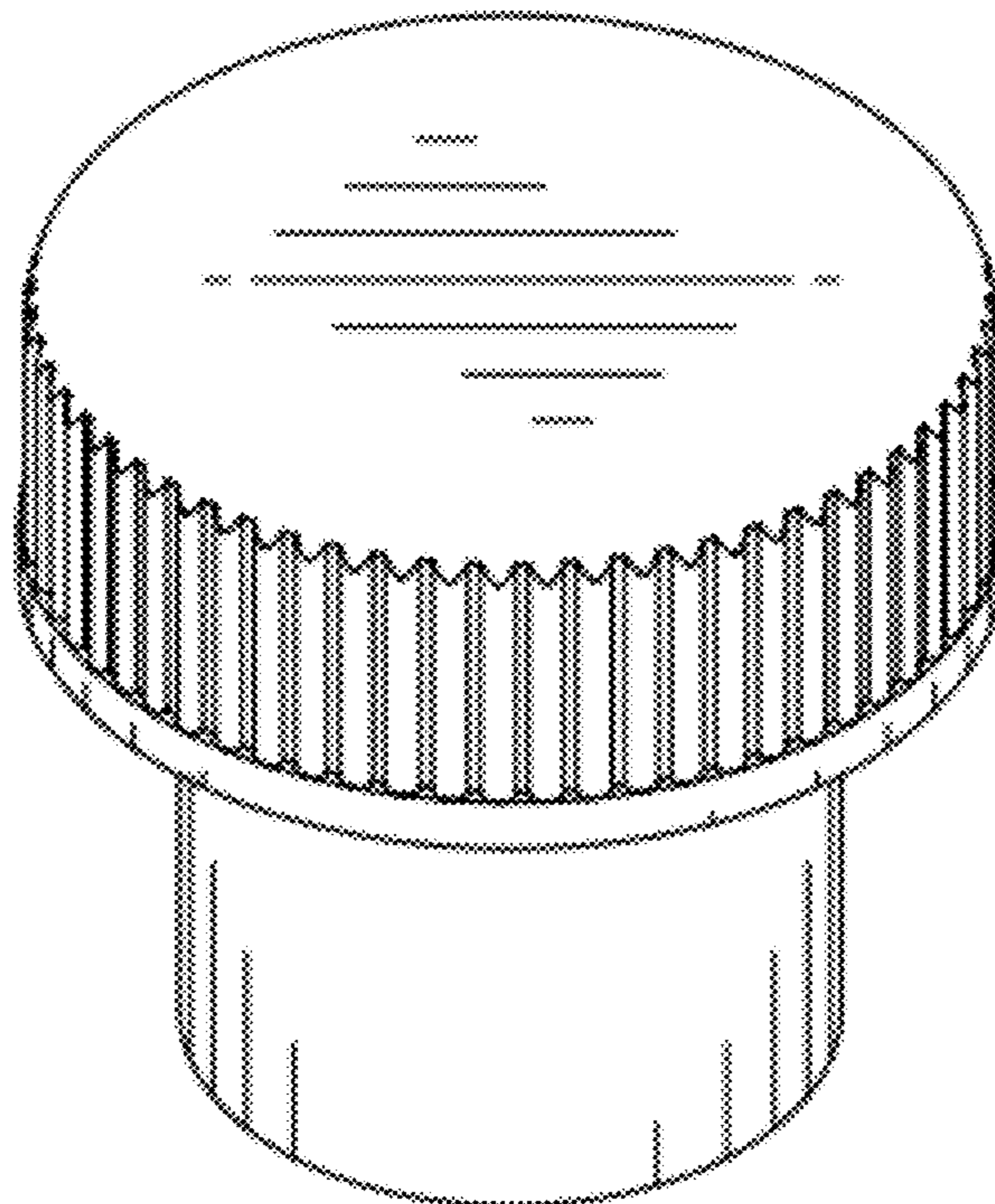
(57) **CLAIM**

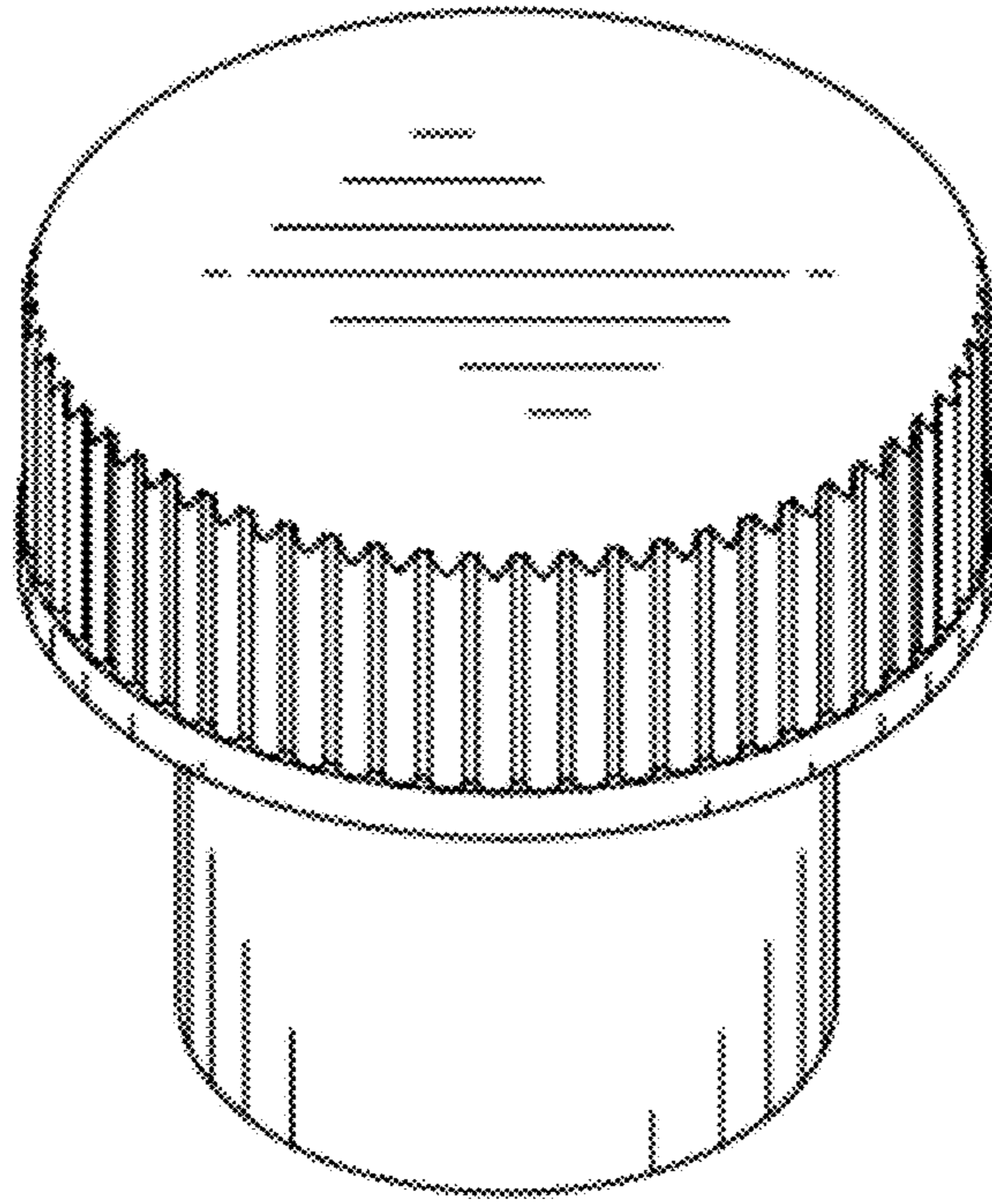
The ornamental design for a dosage cap, as shown and described.

**DESCRIPTION**

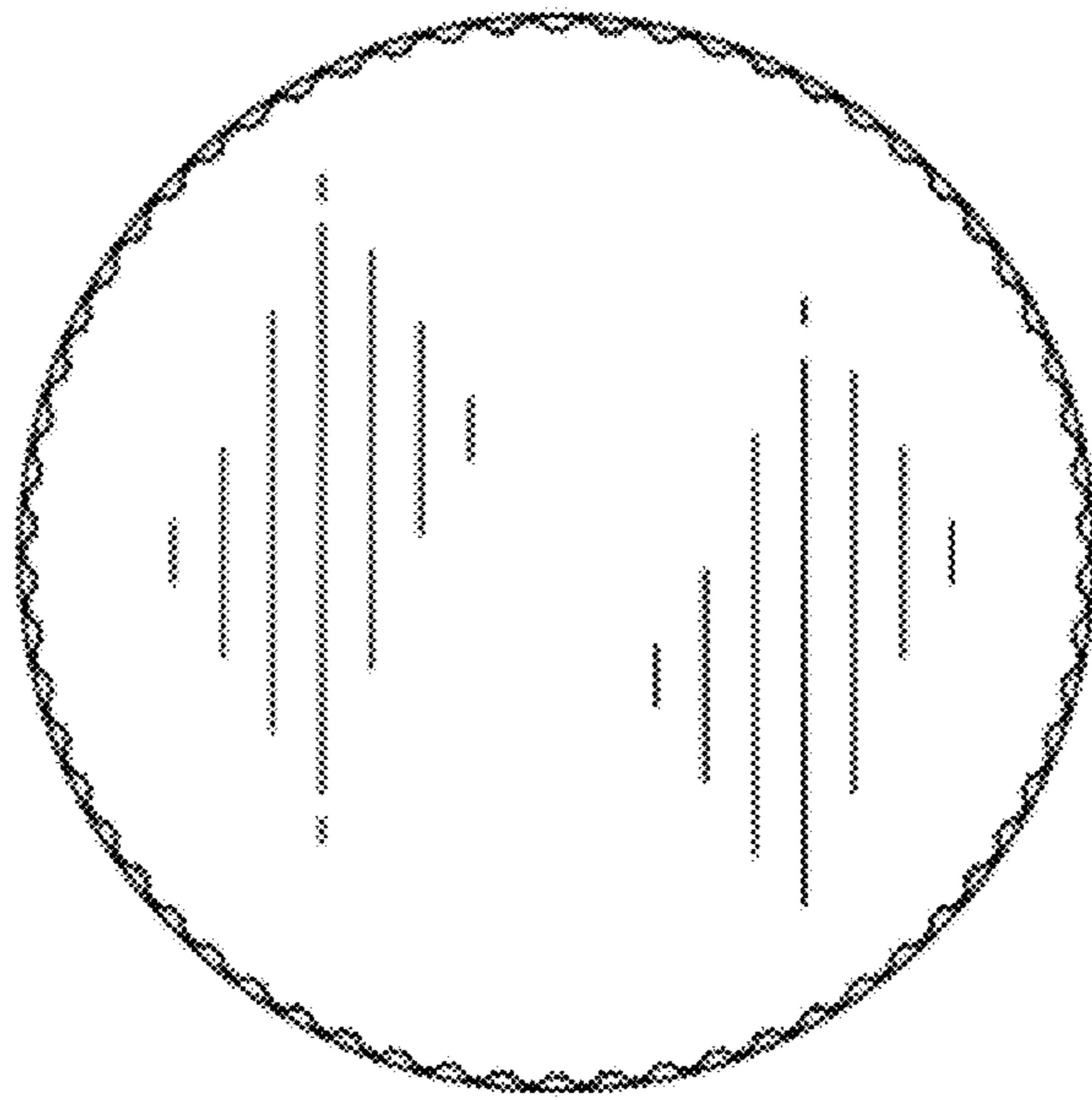
FIG. 1 is a front perspective view of a dosage cap in accordance with the new design; FIG. 2 is top plan view thereof; and, FIG. 3 is a front elevational view thereof, left-side, rear, and right-side elevational views being identical. The bottom plan view of the dosage cap is not shown in the drawings or described in the specification and, therefore, forms no part of the claimed design.

**1 Claim, 2 Drawing Sheets**

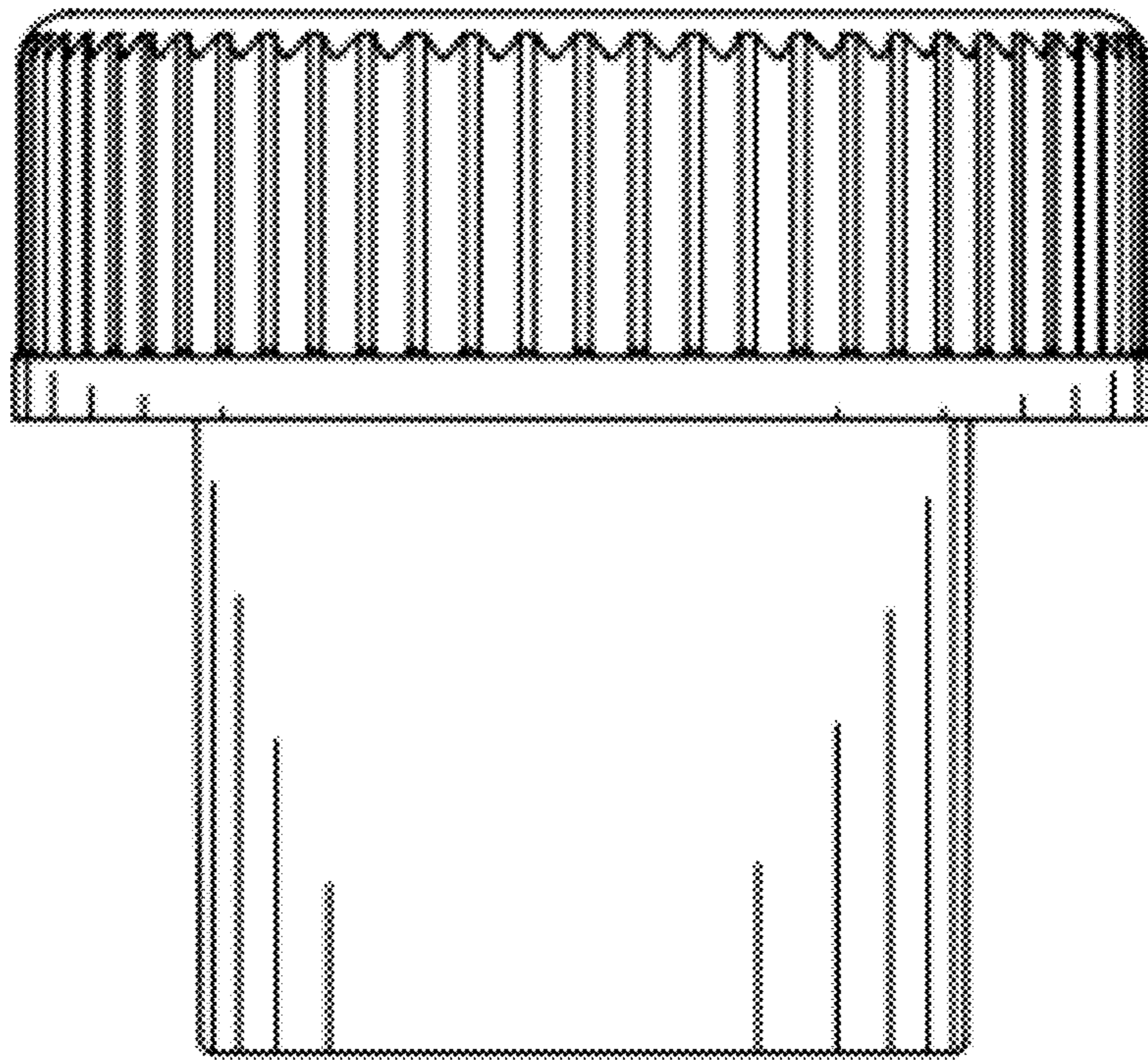




*Fig. 1*



*Fig. 2*



*Fig. 3*