

US00D666492S

(12) **United States Design Patent**
Cummings et al.

(10) **Patent No.:** **US D666,492 S**
(45) **Date of Patent:** **** Sep. 4, 2012**

- (54) **CAP FOR A CONTAINER**
- (75) Inventors: **Bruce Cummings**, New York, NY (US);
Jason Campbell, Chicago, IL (US)
- (73) Assignee: **Colgate-Palmolive Company**, New
York, NY (US)
- (**) Term: **14 Years**
- (21) Appl. No.: **29/378,222**
- (22) Filed: **Nov. 1, 2010**
- (51) **LOC (9) Cl.** **09-07**
- (52) **U.S. Cl.** **D9/449**
- (58) **Field of Classification Search** D9/454,
D9/452, 449, 447, 440, 436, 435, 697, 422,
D9/433, 432, 430, 434, 420; D7/392.1; 222/566,
222/521, 494; 220/837, 835, 811, 810, 713,
220/375, 260, 254.7, 254.3, 254.1; 215/322,
215/321, 306, 305, 237, 235; 206/828, 734,
206/540, 539, 538, 219, 216; 229/906.1;
D23/213
See application file for complete search history.

(56) **References Cited**

U.S. PATENT DOCUMENTS

- 4,169,547 A 10/1979 Newell
- 4,353,365 A 10/1982 Hallworth et al.
- D277,459 S 2/1985 Baum et al.
- 4,627,432 A 12/1986 Newell et al.
- 4,678,106 A 7/1987 Newell et al.
- 4,739,906 A * 4/1988 LoTurco 222/494
- 4,817,822 A 4/1989 Rand et al.
- 4,854,473 A * 8/1989 Dubach 215/235
- 5,031,610 A 7/1991 Armstrong et al.
- 5,040,353 A 8/1991 Evans et al.
- 5,137,026 A 8/1992 Waterson et al.
- 5,137,516 A 8/1992 Rand et al.
- 5,158,194 A 10/1992 Sirgo et al.
- 5,167,626 A 12/1992 Casper et al.
- 5,170,801 A 12/1992 Casper et al.
- 5,174,475 A 12/1992 Day et al.
- 5,187,921 A 2/1993 Wilson et al.

- 5,221,688 A 6/1993 Clitherow et al.
- D340,186 S 10/1993 Rand et al.
- D341,315 S 11/1993 Seymour
- 5,318,183 A 6/1994 Cohen et al.
- D350,482 S * 9/1994 Hu et al. D9/448
- 5,399,556 A 3/1995 Clitherow et al.
- D358,760 S * 5/1995 Sherman et al. D9/697
- D370,726 S 6/1996 Padfield
- 5,556,639 A 9/1996 Fielden
- D379,307 S 5/1997 Marriage
- 5,629,016 A 5/1997 Fielden et al.
- 5,657,749 A 8/1997 Cox
- 5,660,860 A 8/1997 Fielden
- 5,697,112 A 12/1997 Colavito et al.
- 5,698,226 A 12/1997 Fielden
- 5,722,470 A 3/1998 Kedar et al.
- D394,158 S 5/1998 Kramer et al.
- 5,762,215 A 6/1998 Ogden

(Continued)

FOREIGN PATENT DOCUMENTS

AU 142485 S 12/2000

(Continued)

Primary Examiner — Susan Bennett Hattan

(74) *Attorney, Agent, or Firm* — Judy W. Chung

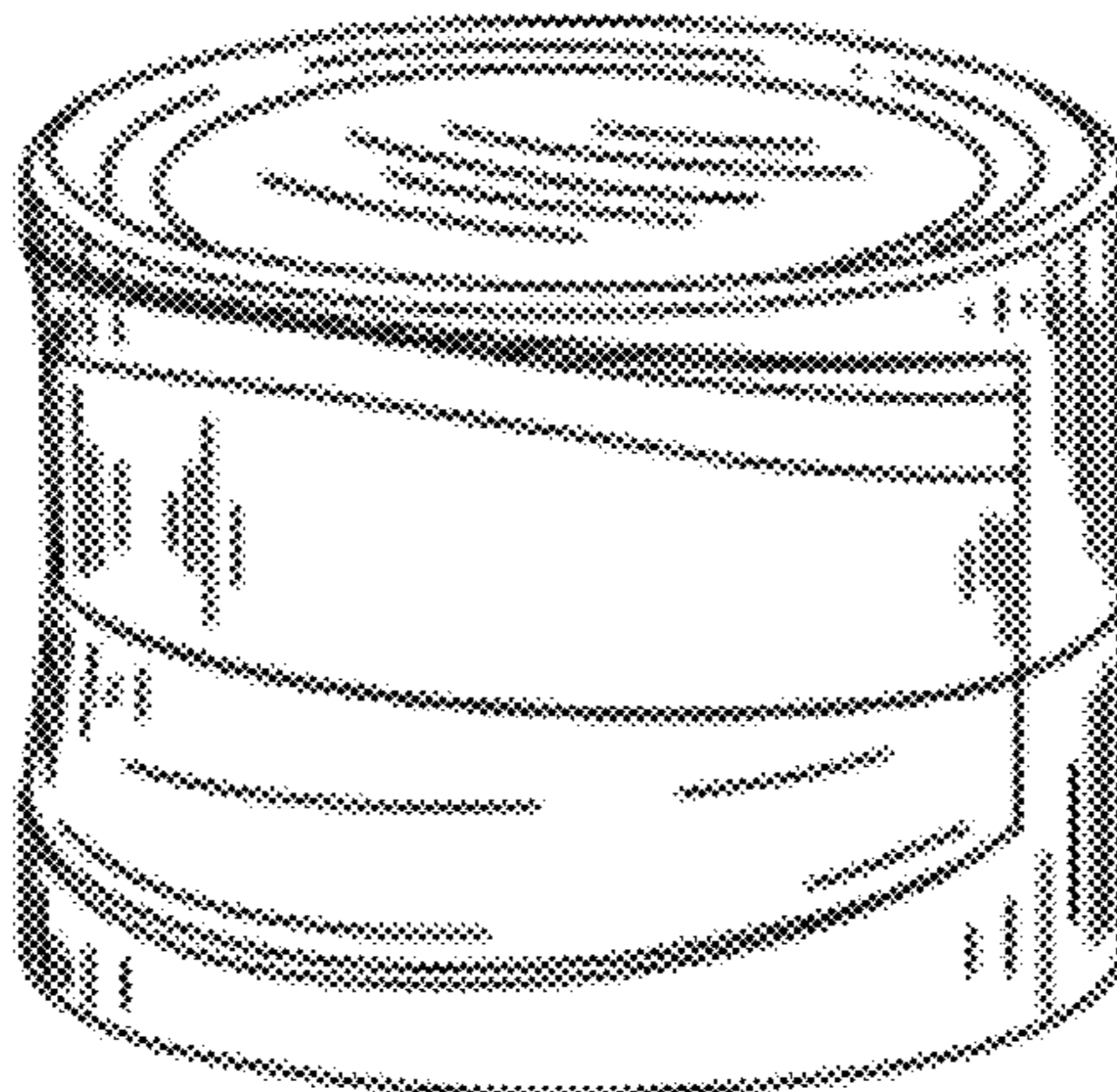
(57) **CLAIM**

The ornamental design for a cap for a container, as shown and described.

DESCRIPTION

FIG. 1 is a front, perspective view of a cap for a container according to the new design shown in a closed state;
 FIG. 2 is rear, perspective view thereof;
 FIG. 3 is a front view thereof;
 FIG. 4 is a rear view thereof;
 FIG. 5 is a left side view thereof;
 FIG. 6 is a right side view thereof;
 FIG. 7 is a top view thereof; and,
 FIG. 8 is a bottom view thereof.
 The broken lines in FIG. 8 depict unclaimed environment that forms no part of the claimed design.

1 Claim, 4 Drawing Sheets



US D666,492 S

U.S. PATENT DOCUMENTS

5,795,788	A	8/1998	Bevan et al.	
D402,202	S *	12/1998	Sherman et al.	D9/447
D411,770	S	7/1999	Jesiolowski	
D413,263	S	8/1999	Pritchard et al.	
D413,444	S	9/1999	Weiss	
D418,064	S	12/1999	Pritchard et al.	
5,996,859	A *	12/1999	Beck	222/556
D418,302	S	1/2000	Landauer	
6,065,472	A	5/2000	Anderson et al.	
6,074,609	A	6/2000	Gavin et al.	
6,076,522	A	6/2000	Dwivedi et al.	
6,098,619	A	8/2000	Britto et al.	
6,116,477	A *	9/2000	Kreiseder et al.	222/556
6,131,566	A	10/2000	Ashurst et al.	
D433,570	S	11/2000	Landauer	
6,143,277	A	11/2000	Ashurst et al.	
6,159,744	A	12/2000	Bevan et al.	
D438,799	S *	3/2001	Anderson	D9/449
D440,843	S	4/2001	Pitassi et al.	
6,238,929	B1	5/2001	Antonenko et al.	
6,253,762	B1	7/2001	Britto	
6,271,038	B1	8/2001	Liu et al.	
6,309,889	B1	10/2001	Cutler et al.	
D450,585	S	11/2001	Kamata	
6,338,408	B1	1/2002	Anderson	
6,342,184	B1	1/2002	Bevan et al.	
D456,141	S	4/2002	Landauer	
D458,759	S	6/2002	Landauer	
D467,433	S	12/2002	Massari et al.	
D477,222	S	7/2003	Pitassi et al.	
6,588,615	B1	7/2003	Pitassi	
D478,982	S	8/2003	Cohen et al.	
D493,014	S	7/2004	Hadtke et al.	
6,792,945	B2	9/2004	Davies et al.	
D505,627	S *	5/2005	Py et al.	D9/697
D508,203	S *	8/2005	Ziegenhorn et al.	D9/449
6,932,229	B2	8/2005	Pitassi	

6,981,499	B2	1/2006	Anderson et al.	
7,009,517	B2	3/2006	Wood	
7,077,129	B2	7/2006	Anderson et al.	
D525,868	S	8/2006	Kolanus et al.	
7,094,224	B2	8/2006	Lourenco et al.	
D532,701	S	11/2006	Spencer	
D537,522	S	2/2007	Cox et al.	
D537,936	S	3/2007	Cox et al.	
D541,154	S *	4/2007	Moribata et al.	D9/449
7,198,172	B2	4/2007	Harvey et al.	
D543,316	S	5/2007	Hadtke et al.	
7,214,209	B2	5/2007	Mazzoni	
7,225,808	B2	6/2007	Davies et al.	
D548,330	S	8/2007	Cox et al.	
7,258,119	B2	8/2007	Mazzoni	
D552,729	S	10/2007	Cox et al.	
D552,992	S	10/2007	Spencer	
7,278,424	B1	10/2007	Davies et al.	
D558,401	S	12/2007	Hadtke et al.	
7,302,948	B2	12/2007	Anderson	
D561,586	S	2/2008	Hadtke et al.	
D573,019	S	7/2008	Spencer	
7,424,888	B2	9/2008	Harvey et al.	
D582,772	S *	12/2008	Bakic	D9/449
7,484,642	B2	2/2009	Bonney	
7,552,728	B2	6/2009	Bonney et al.	
7,713,518	B2	5/2010	Rand	
7,798,368	B2	9/2010	Anderson et al.	

FOREIGN PATENT DOCUMENTS

CZ	24276	5/1993
ES	154724	7/2002
JP	D1199356	3/2004
JP	D1200031	3/2004
TW	450753	5/1989
TW	D135915	7/2010

* cited by examiner

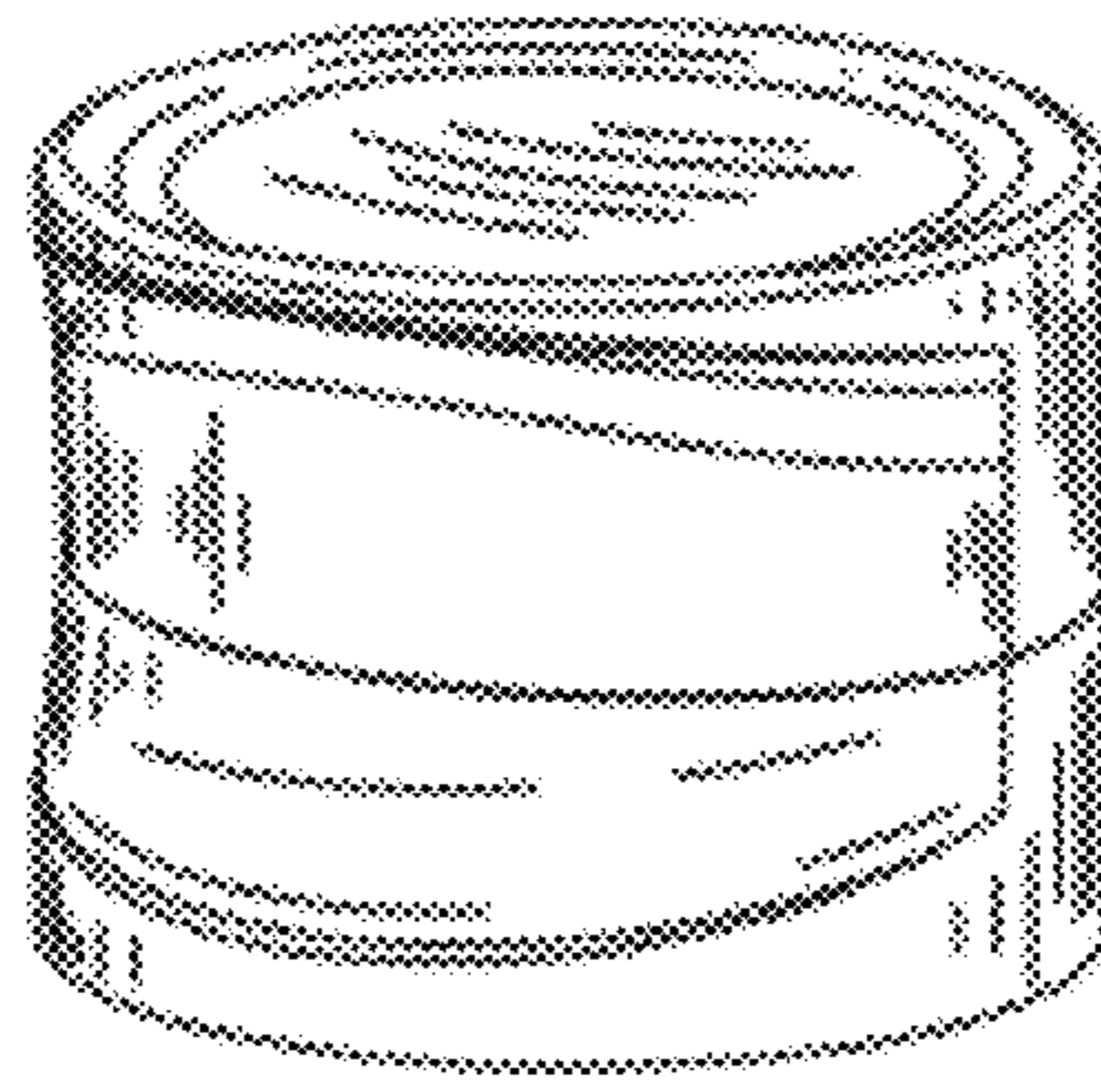


FIG. 1

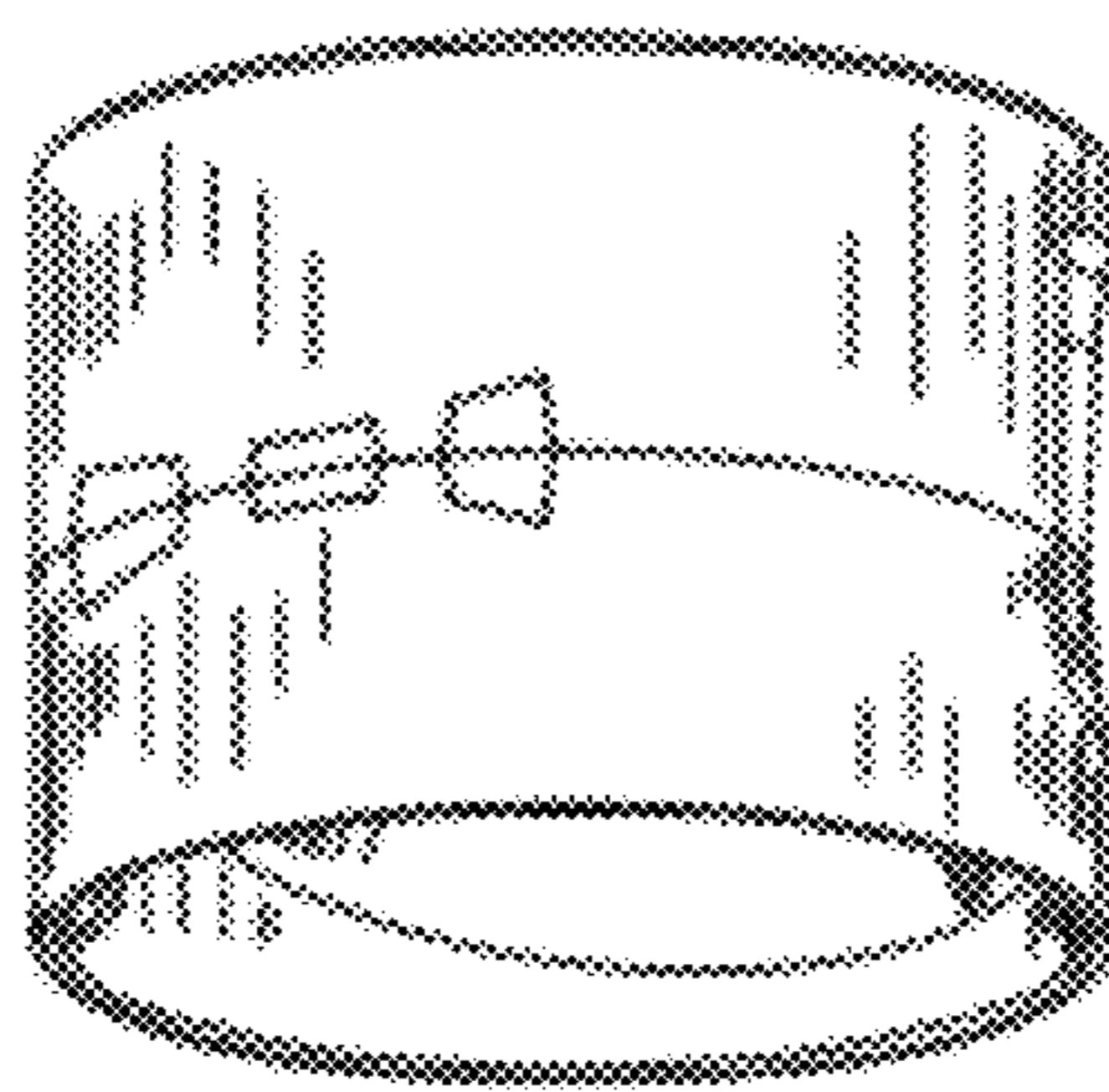


FIG. 2

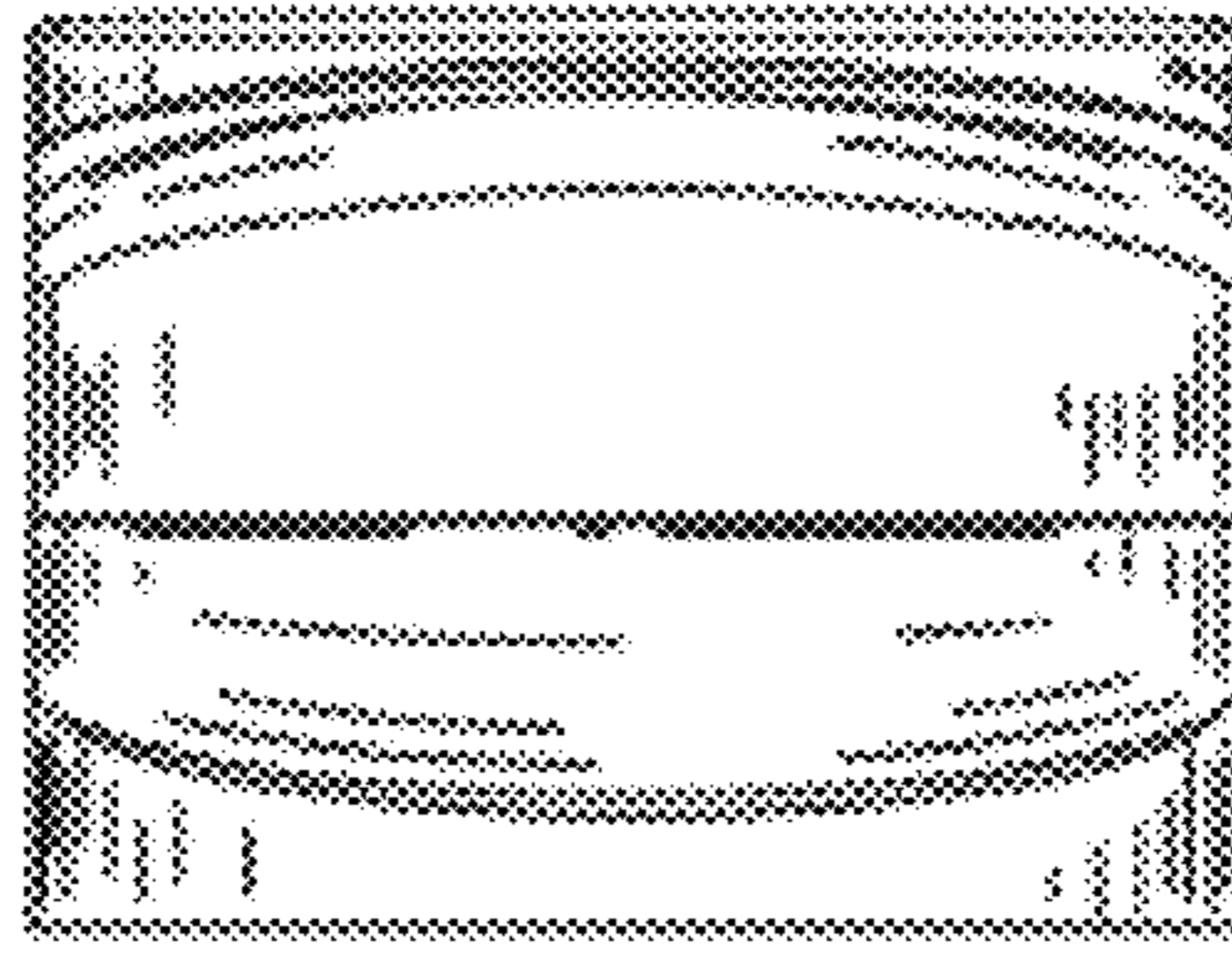


FIG. 3

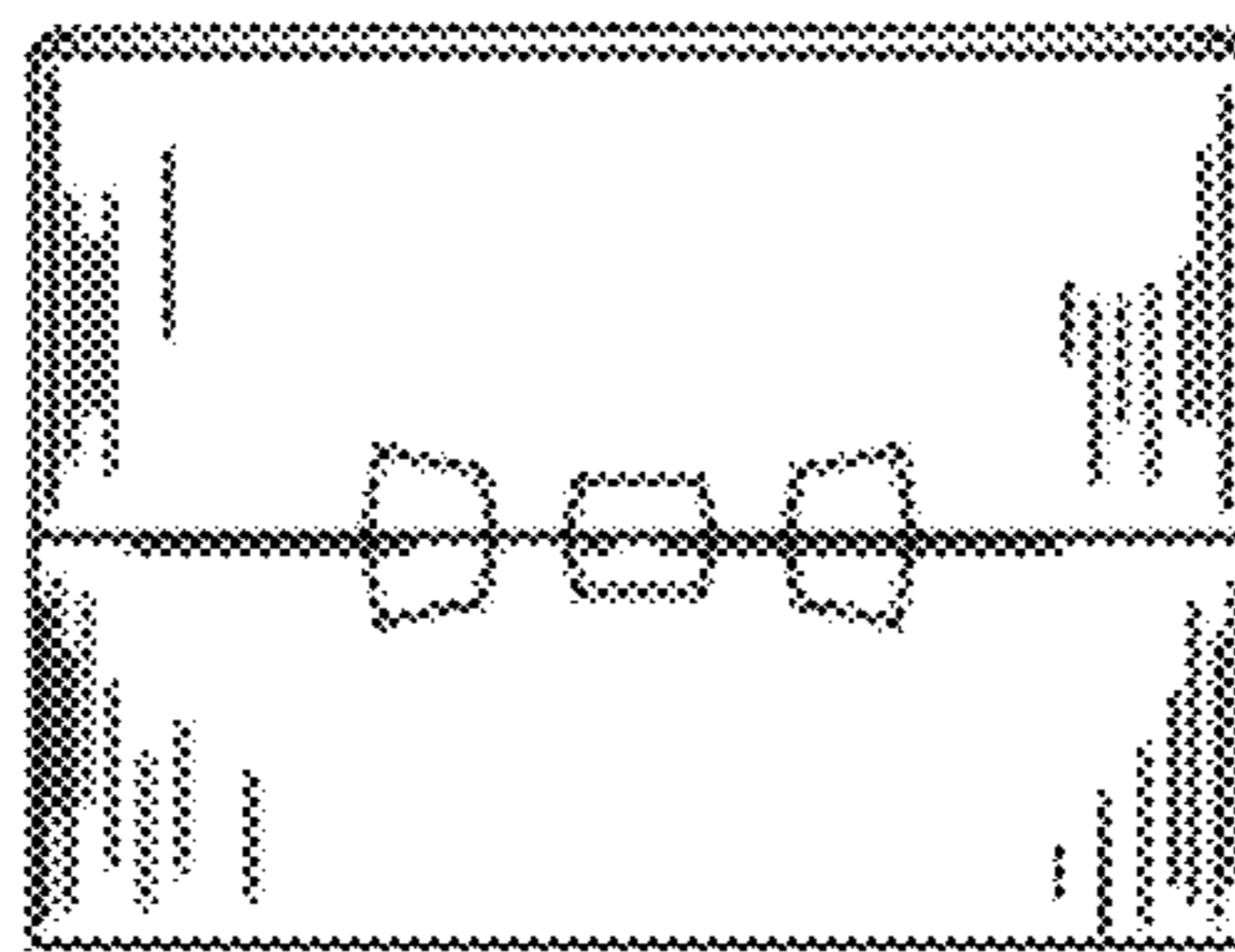


FIG. 4

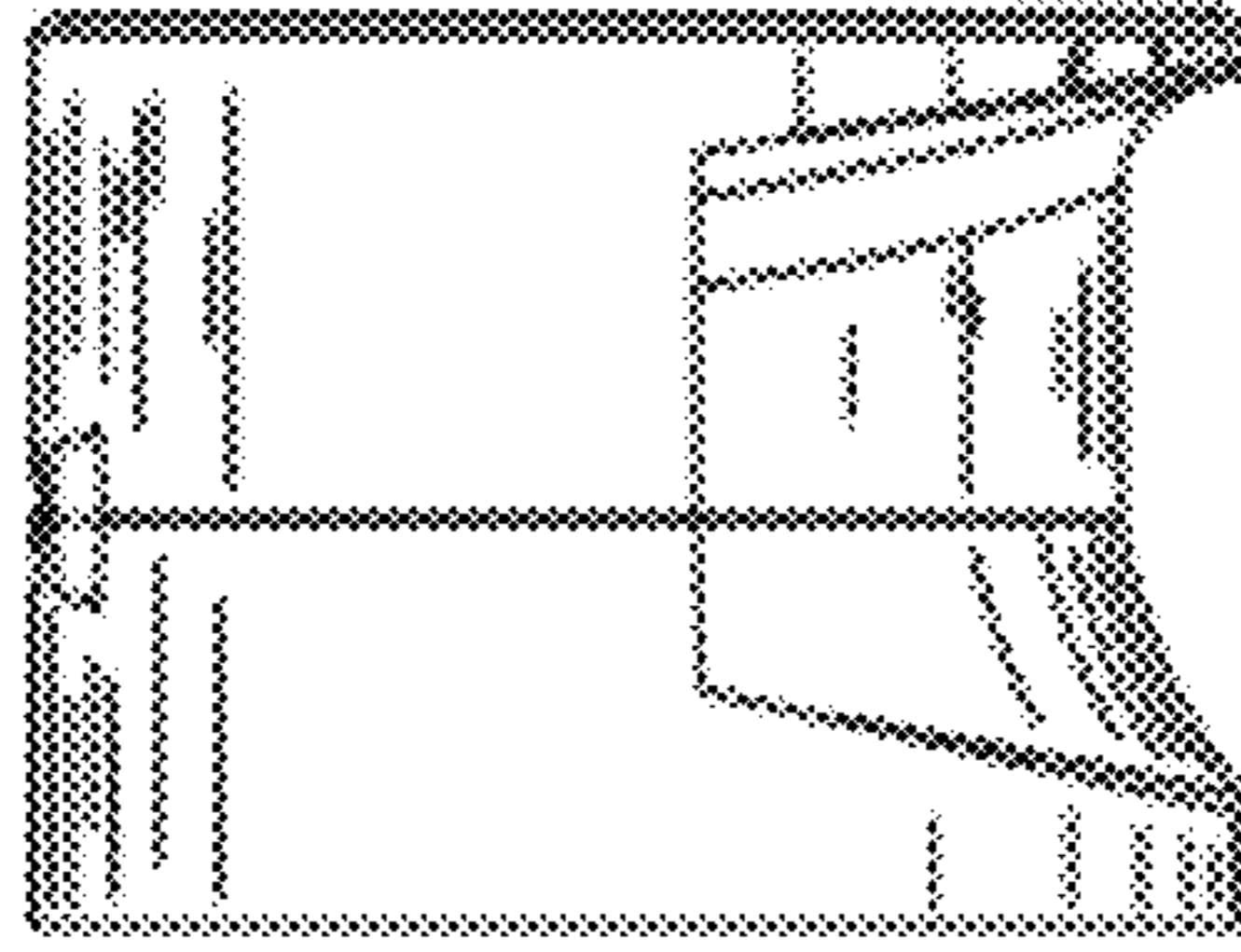


FIG. 5

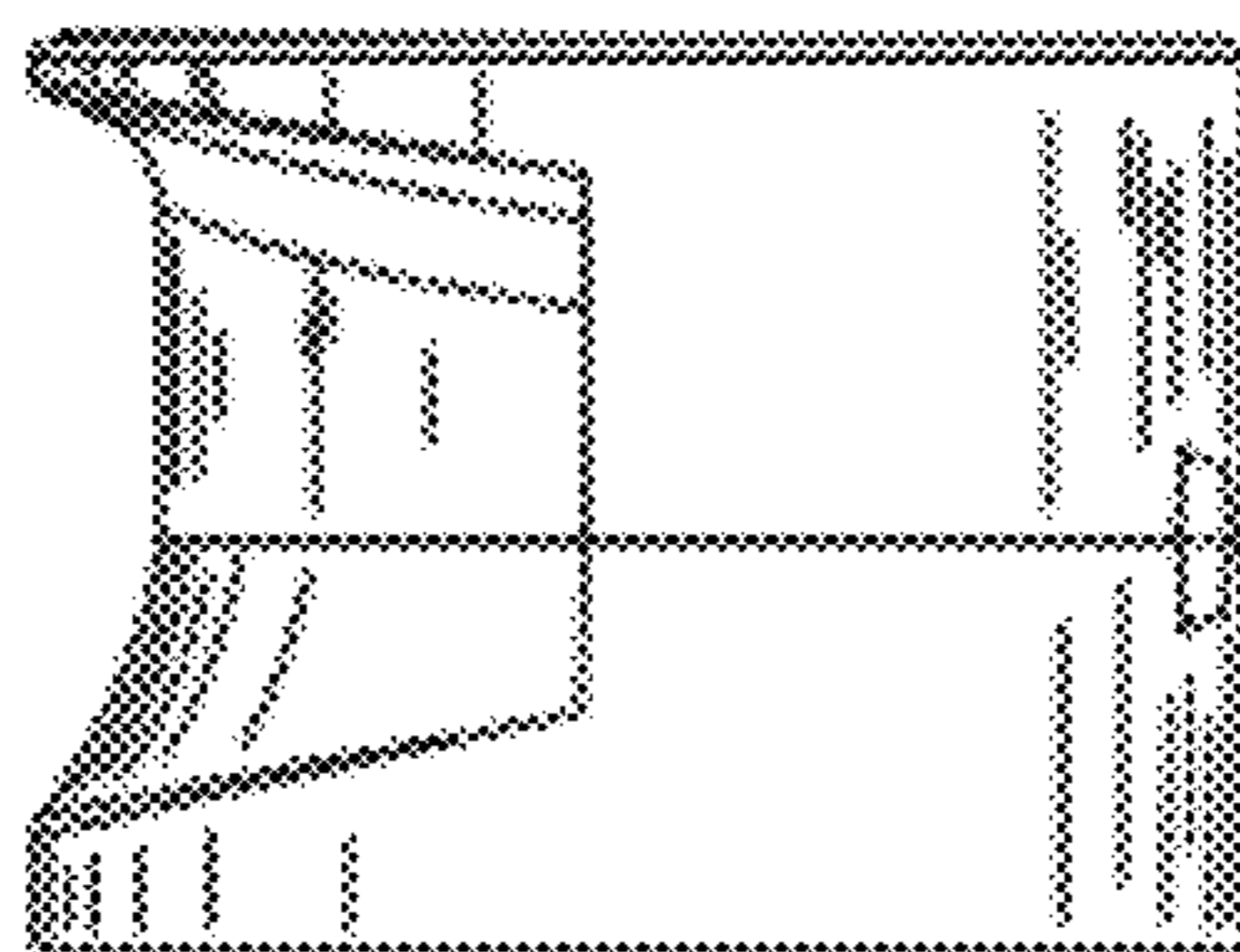


FIG. 6

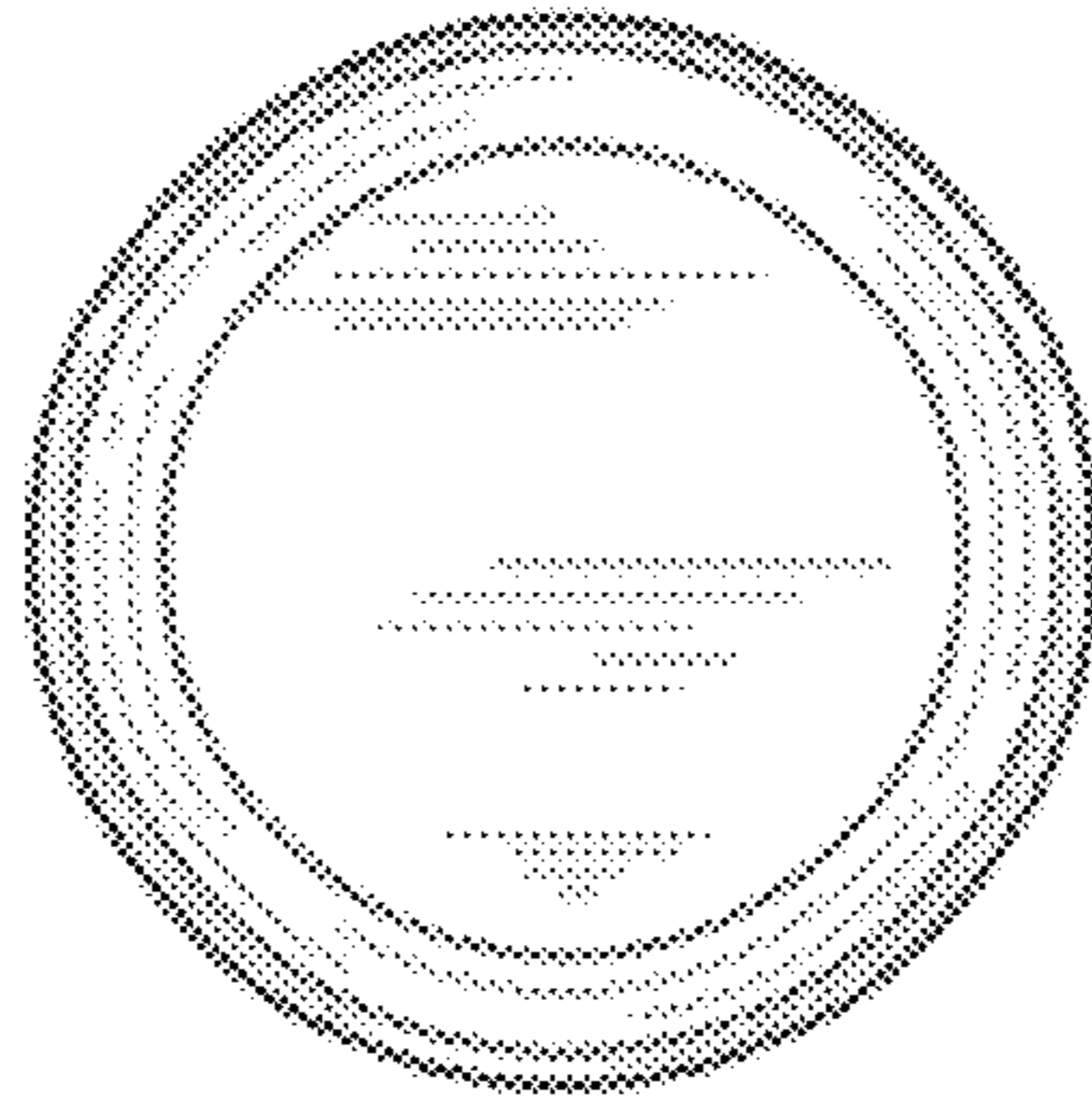


FIG. 7

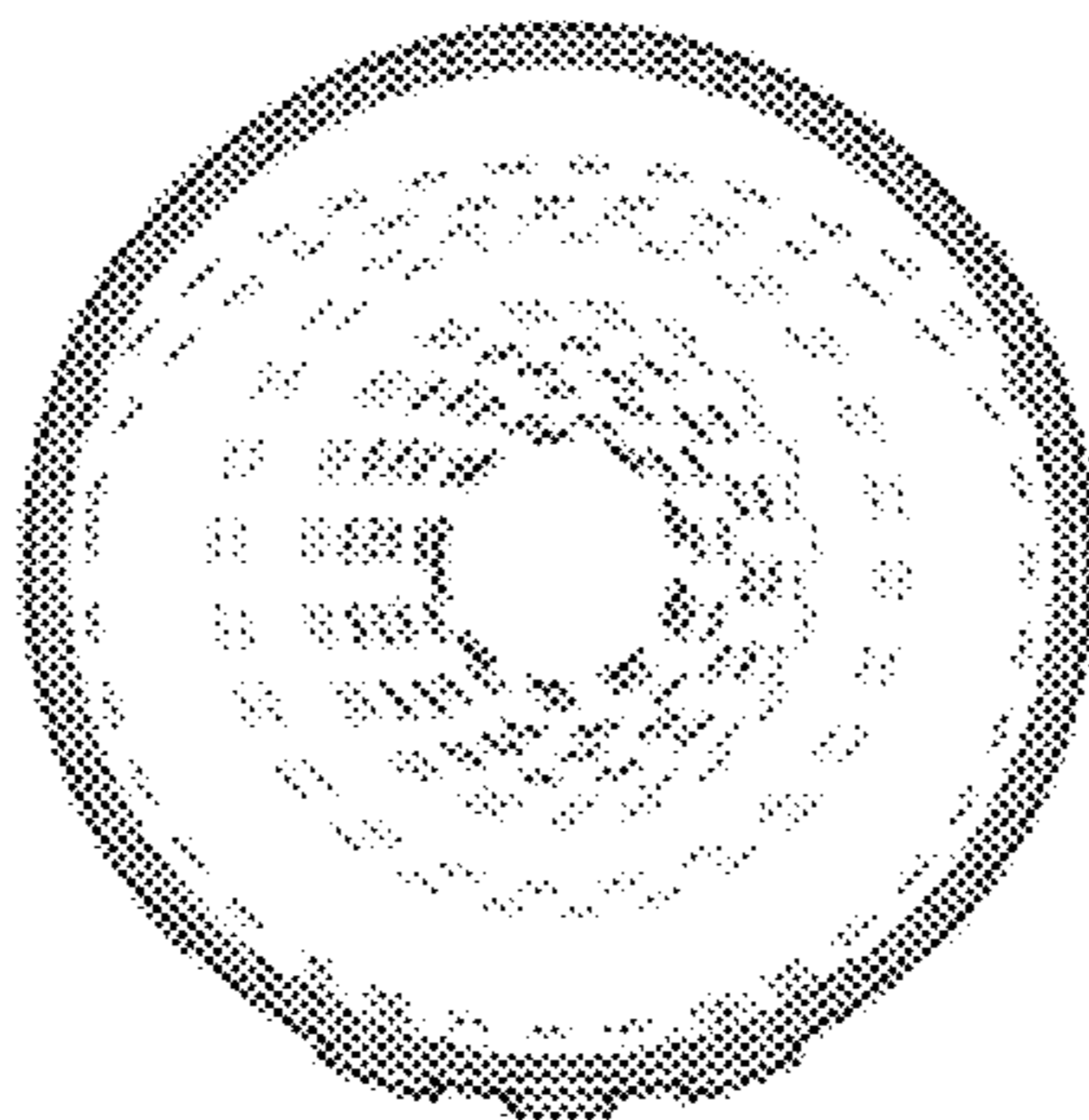


FIG. 8