



US00D666486S

(12) **United States Design Patent**
Czipri

(10) **Patent No.:** **US D666,486 S**

(45) **Date of Patent:** **** Sep. 4, 2012**

(54) **BOAT COVER ATTACHMENT DEVICE**

(75) Inventor: **Bernd Czipri**, Palm Harbor, FL (US)

(73) Assignee: **R & D Shed, L.L.C.**, Clearwater, FL (US)

(**) Term: **14 Years**

(21) Appl. No.: **29/403,969**

(22) Filed: **Oct. 13, 2011**

(51) **LOC (9) Cl.** **08-08**

(52) **U.S. Cl.** **D8/387**

(58) **Field of Classification Search** D8/387,
D8/385, 388; 411/403, 337, 378, 411, 402,
411/410, 393, 405, 388, 404, 419, 387.1
See application file for complete search history.

(56) **References Cited**

U.S. PATENT DOCUMENTS

1,330,098	A	*	2/1920	Smith	411/405
D170,571	S	*	10/1953	Larkin	D8/387
3,106,862	A	*	10/1963	Briles	411/403
4,909,690	A	*	3/1990	Gapp et al.	411/411
D376,713	S	*	12/1996	Kelso	D6/496
D397,030	S	*	8/1998	Lawson	D8/387
D407,302	S	*	3/1999	Lawson	D8/387
6,073,552	A	*	6/2000	Cruse et al.	101/32

D604,600	S	*	11/2009	Lesesky	D8/387
D622,582	S	*	8/2010	Lottner et al.	D8/387
D631,736	S	*	2/2011	You	D8/387

* cited by examiner

Primary Examiner — Sheryl Lane

(74) *Attorney, Agent, or Firm* — Larson & Larson, P.A.;
Frank Liebenow; Justin Miller

(57) **CLAIM**

I claim the ornamental design for a boat cover attachment device, as shown and described.

DESCRIPTION

FIG. 1 is a left side elevation view of the boat cover attachment device showing my new design, in which the right side, front side, and back side are all identical;

FIG. 2 is a bottom view thereof;

FIG. 3 is a top view thereof;

FIG. 4 is a cross section of 4-4 from FIG. 3;

FIG. 5 is a left side elevation view, showing the placement of the unclaimed nut and unclaimed quick-release pin; and,
FIG. 6 is a cross section of 6-6 from FIG. 5, showing the placement of the unclaimed nut and unclaimed quick-release pin.

The broken lines depicting the hex key in FIGS. 3 and 4, and the unclaimed nut with the unclaimed quick-release pin in FIGS. 5 and 6 are included for the purpose of showing environment and form no part of the claimed design.

1 Claim, 3 Drawing Sheets

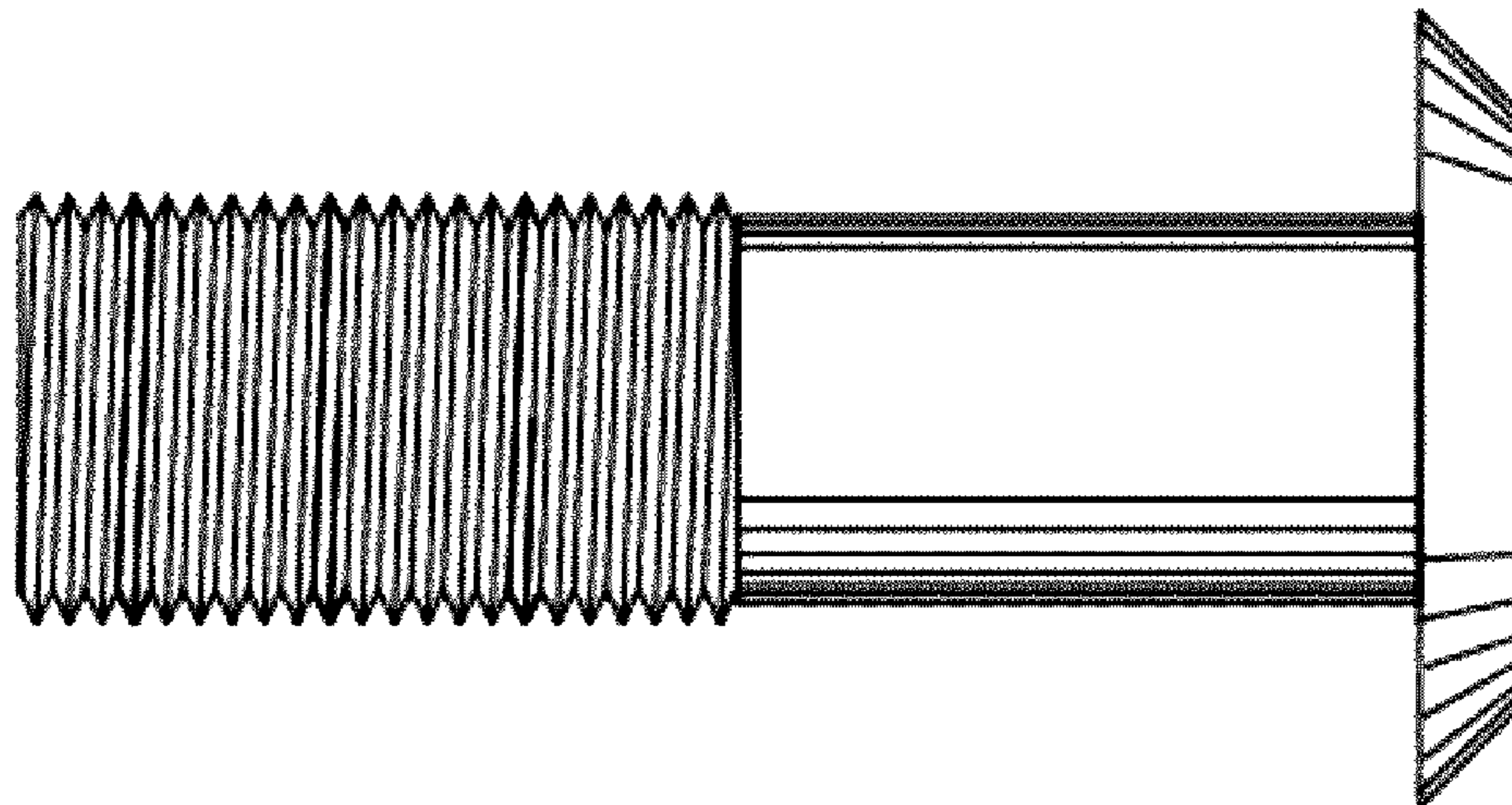


FIG. 1

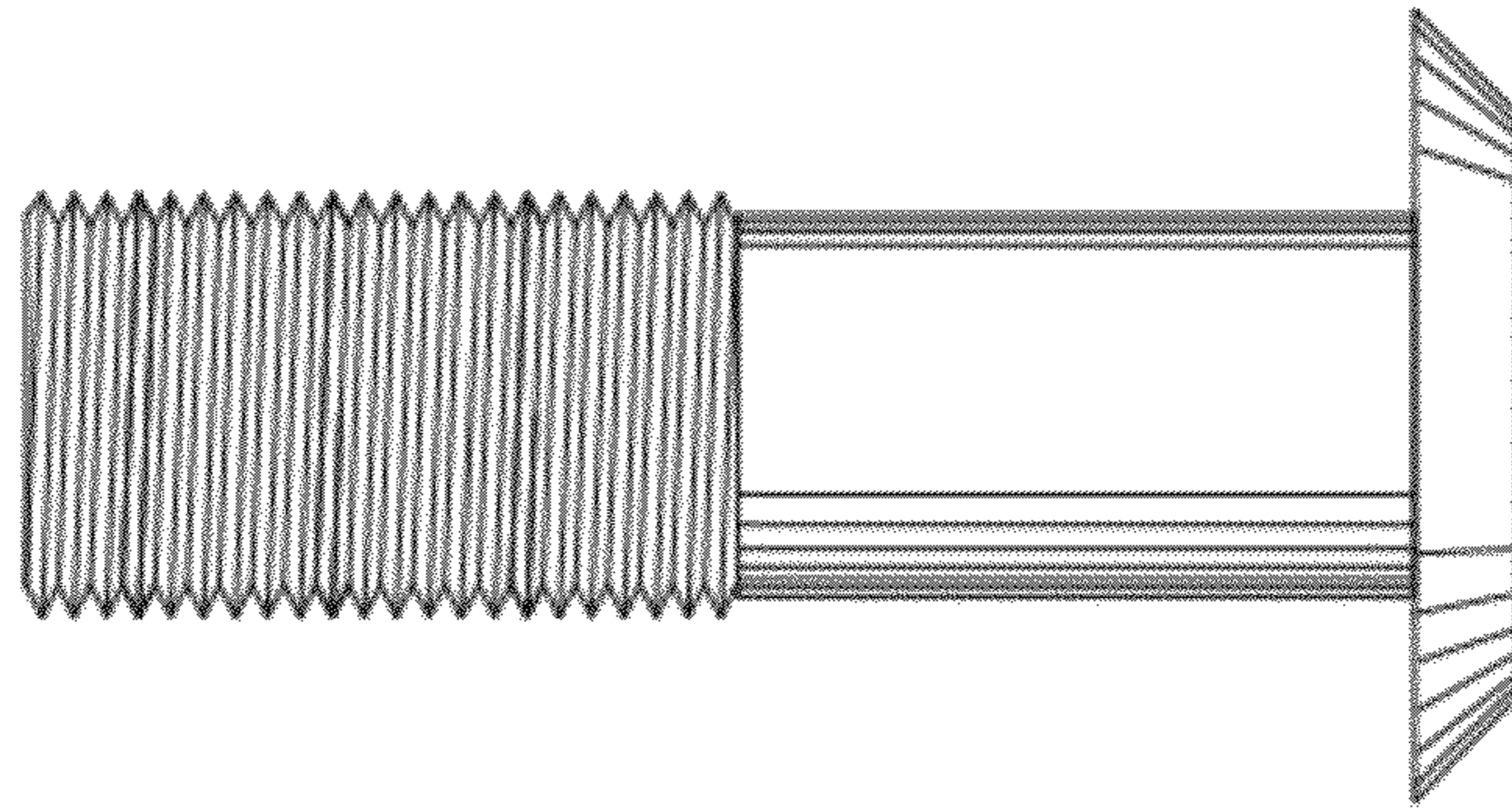


FIG. 2

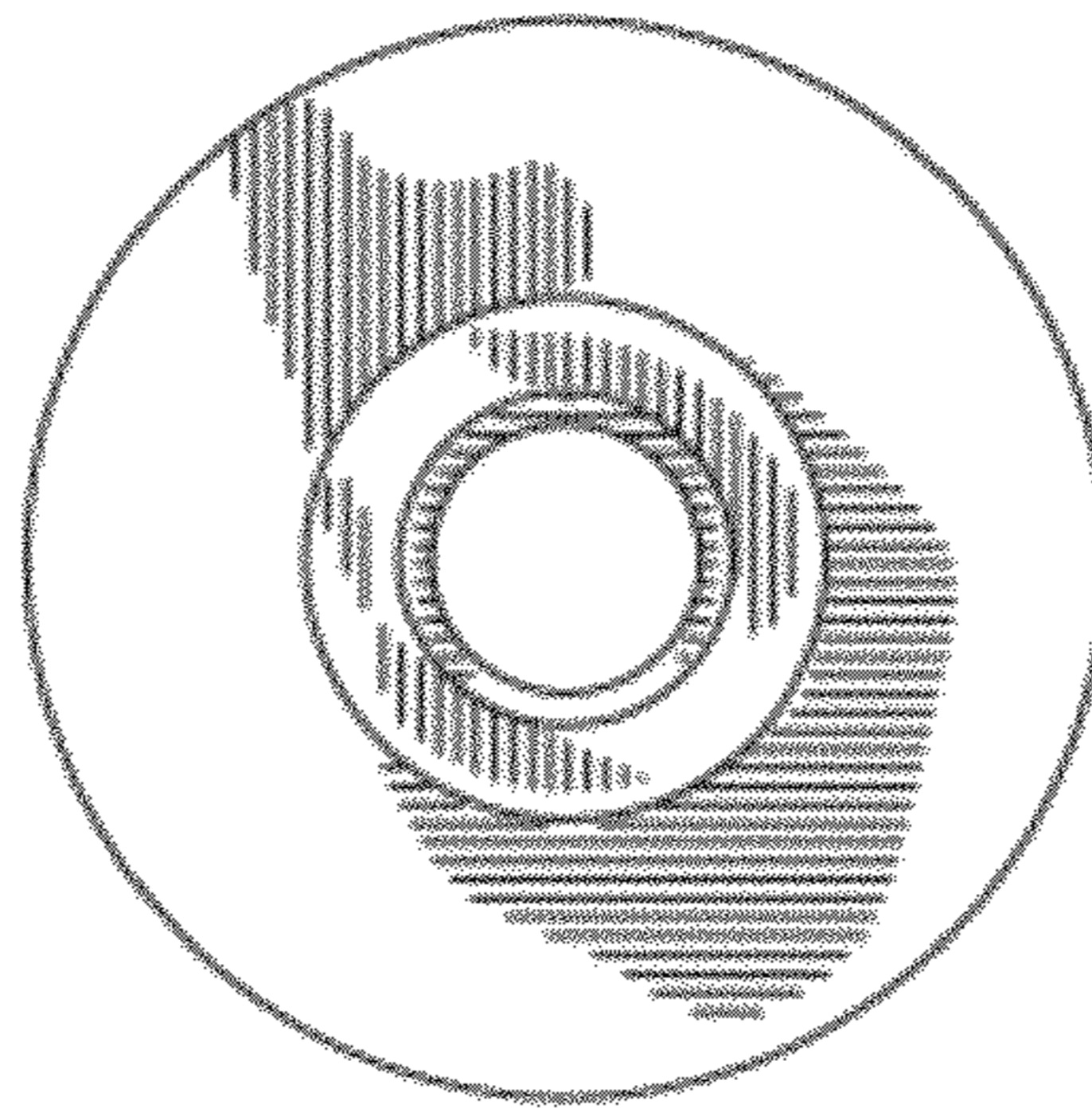


FIG. 3

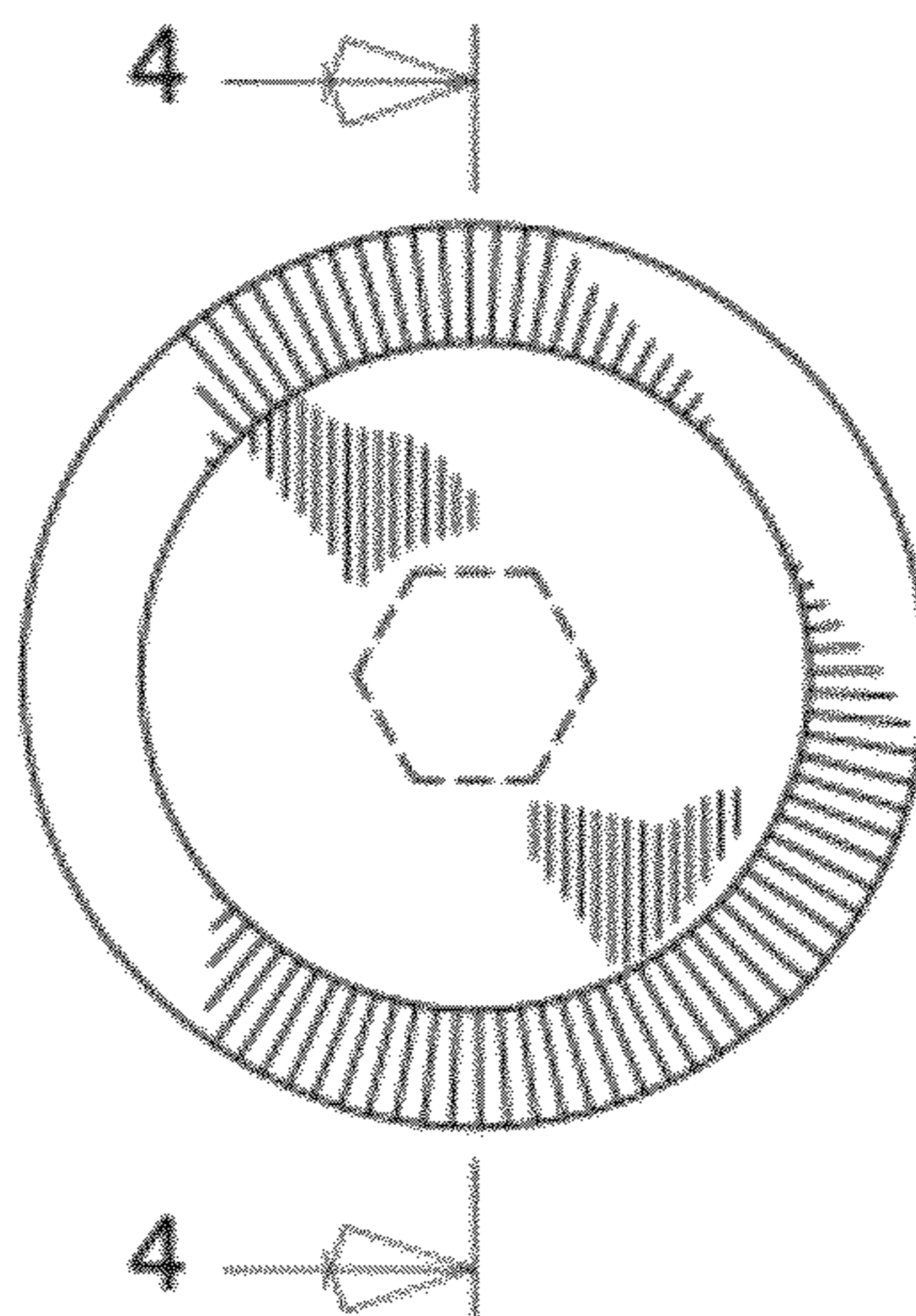


FIG. 4

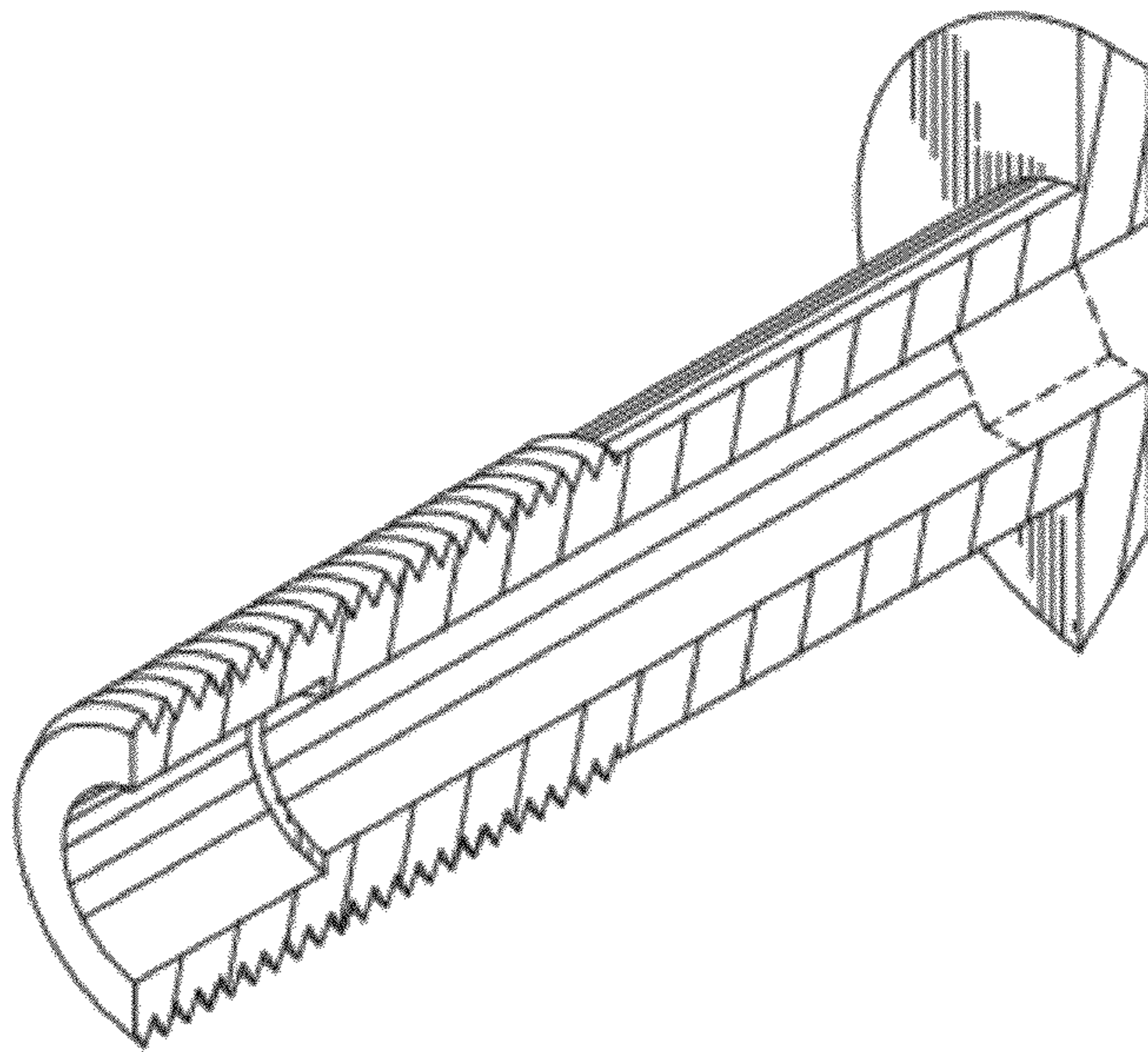


FIG. 5

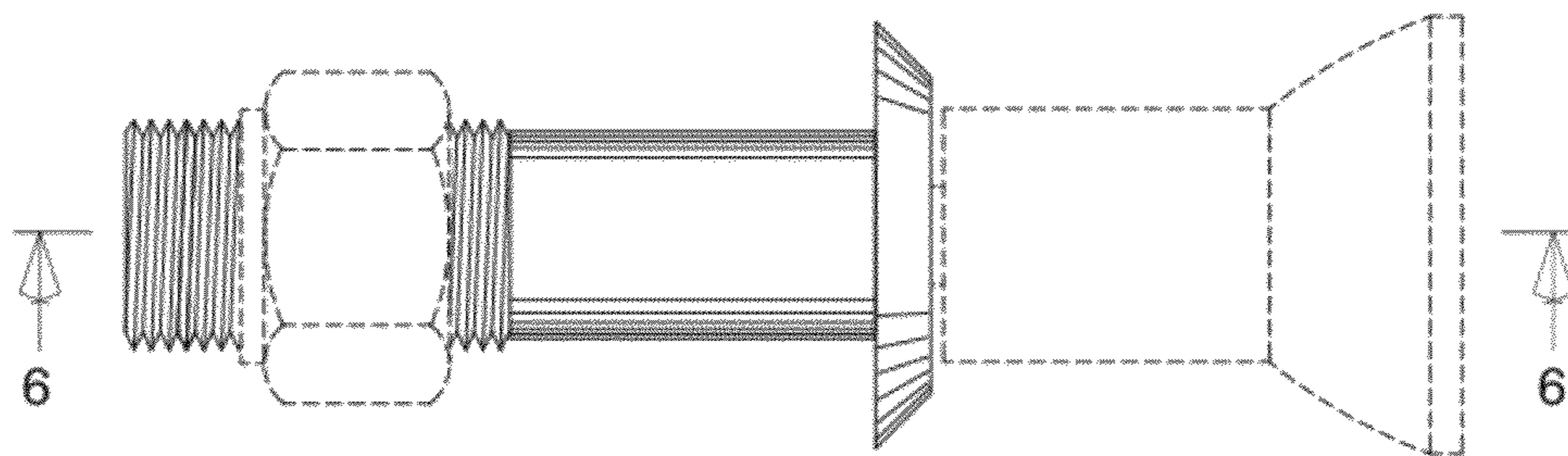


FIG. 6

