

US00D666485S

(12) **United States Design Patent**
Hegetschweiler

(10) **Patent No.:** **US D666,485 S**

(45) **Date of Patent:** **** Sep. 4, 2012**

(54) **SCREW**

D545,404 S * 6/2007 Nightlinger et al. D23/260
D552,977 S * 10/2007 He et al. D8/387
D643,279 S * 8/2011 Crane et al. D8/387

(75) Inventor: **Marcel Hegetschweiler**, Saint-Gerard
(CA)

* cited by examiner

(73) Assignee: **Annexair Inc.**, Drummondville (CA)

Primary Examiner — Sheryl Lane

(74) *Attorney, Agent, or Firm* — Baker & Hostetler LLP

(**) Term: **14 Years**

(57) **CLAIM**

The ornamental design for a screw, as shown and described.

(21) Appl. No.: **29/393,105**

DESCRIPTION

(22) Filed: **May 31, 2011**

(51) **LOC (9) Cl.** **08-08**

(52) **U.S. Cl.** **D8/387**

(58) **Field of Classification Search** D8/387,
D8/388, 391; 411/378, 379, 393–394, 411,
411/402, 404, 178, 184, 188

See application file for complete search history.

FIG. 1 is a top perspective view of the screw. The top threads being repeated at regular intervals in a top the article;
FIG. 2 is a bottom perspective view of the screw;
FIG. 3 is a front view of the screw;
FIG. 4 is a rear view of the screw;
FIG. 5 is a right-hand side view of the screw;
FIG. 6 is a left-hand side view of the screw;
FIG. 7 is a top view of the screw; and,
FIG. 8 is a bottom view of the screw.

The broken line showing of screw is included for the purpose of illustrating portions of the article and forms no part of the claimed design.

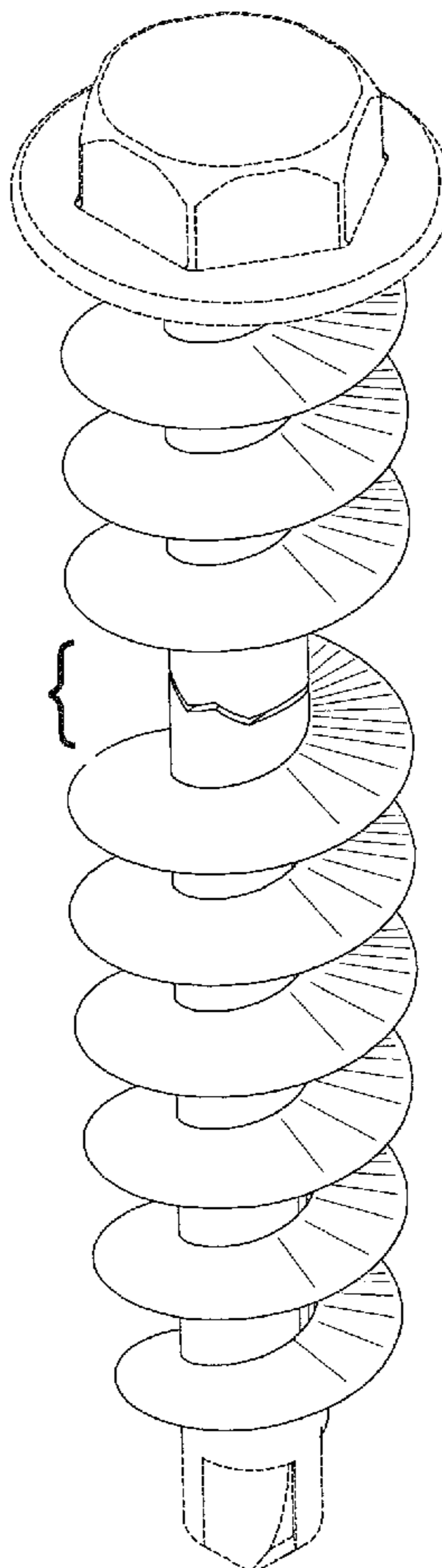
For ease of illustration the screw is shown broken away to indicate no particular length is claimed.

(56) **References Cited**

U.S. PATENT DOCUMENTS

D378,052 S * 2/1997 Perreault D8/387
D418,048 S * 12/1999 Chan D8/387
D482,957 S * 12/2003 Lajeunesse et al. D8/387

1 Claim, 4 Drawing Sheets



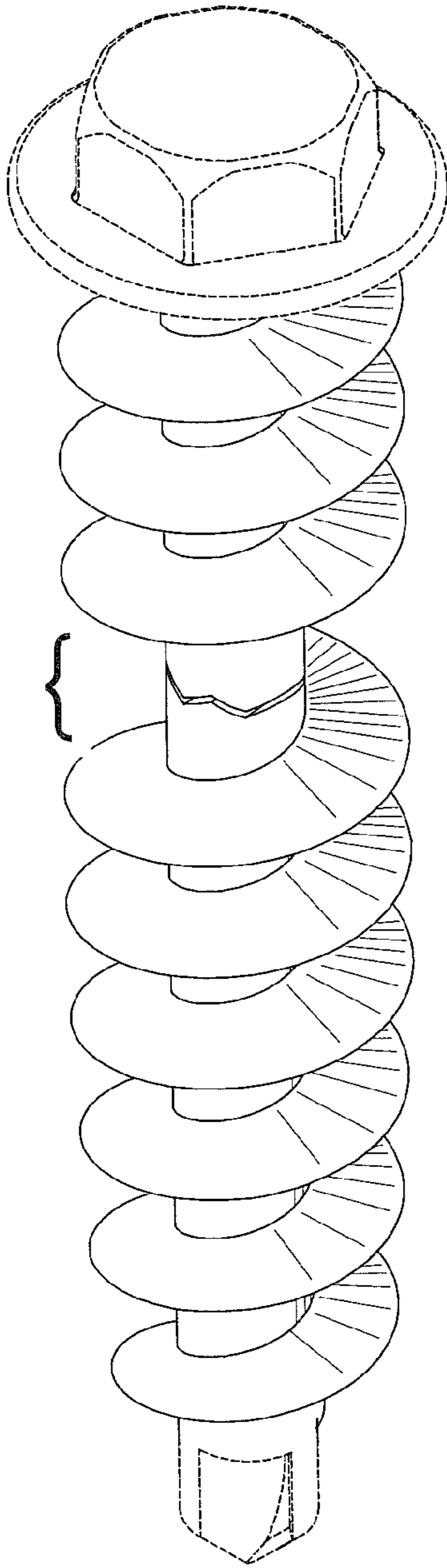


FIG. 1

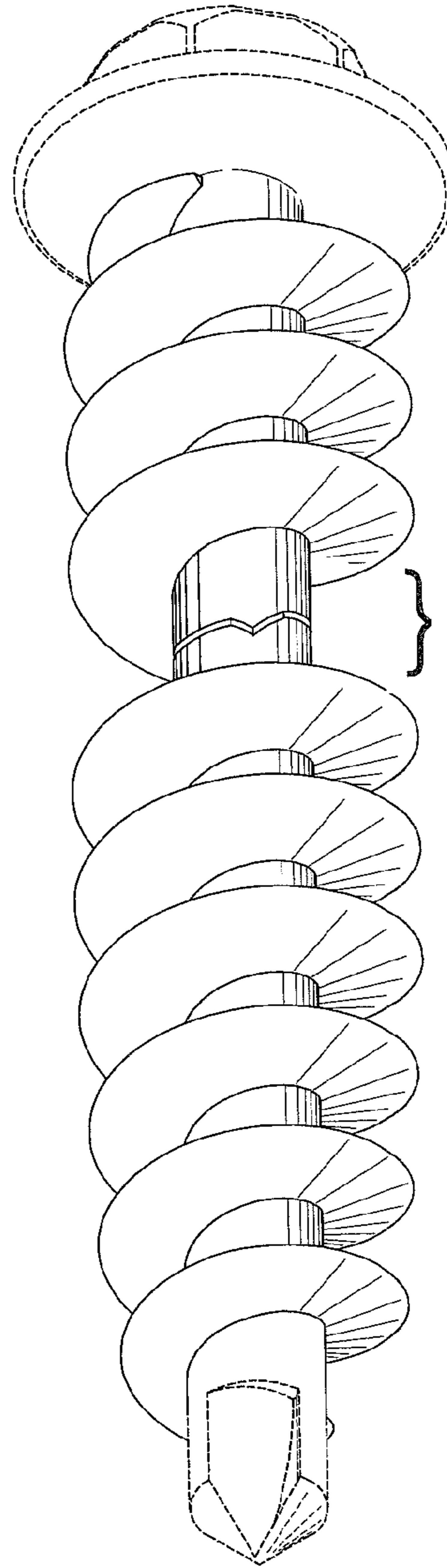


FIG. 2

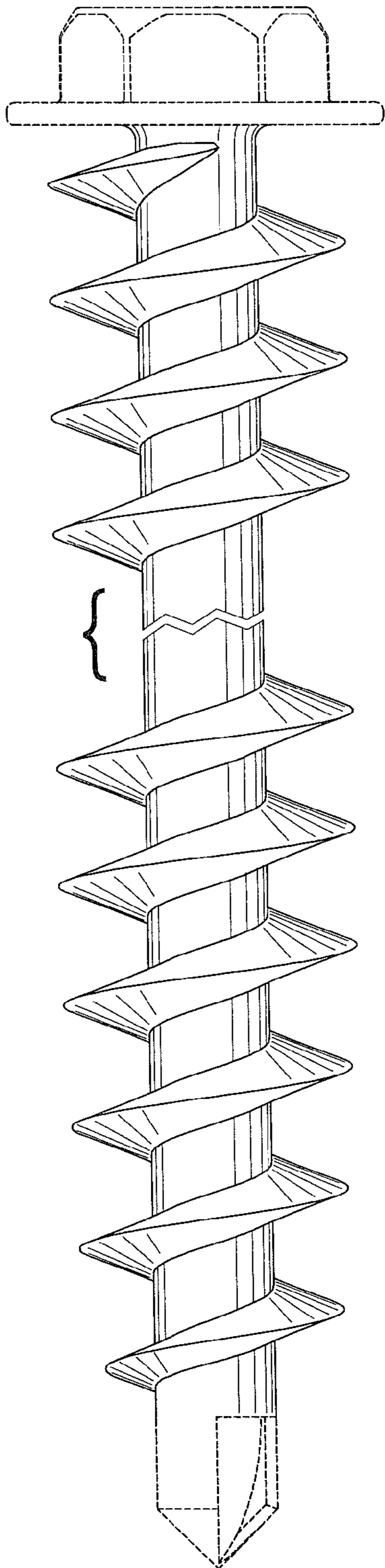


FIG. 3

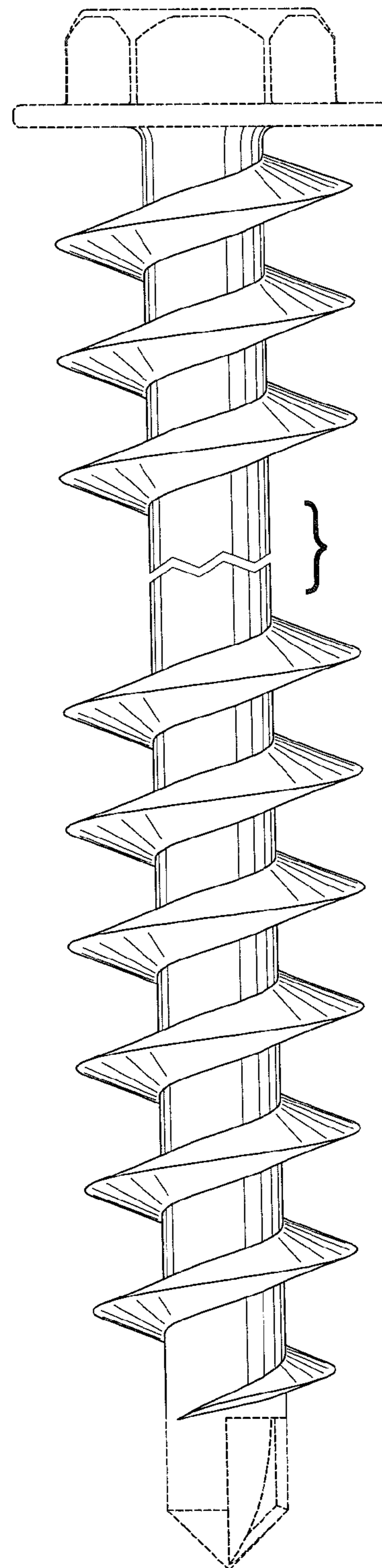


FIG. 4

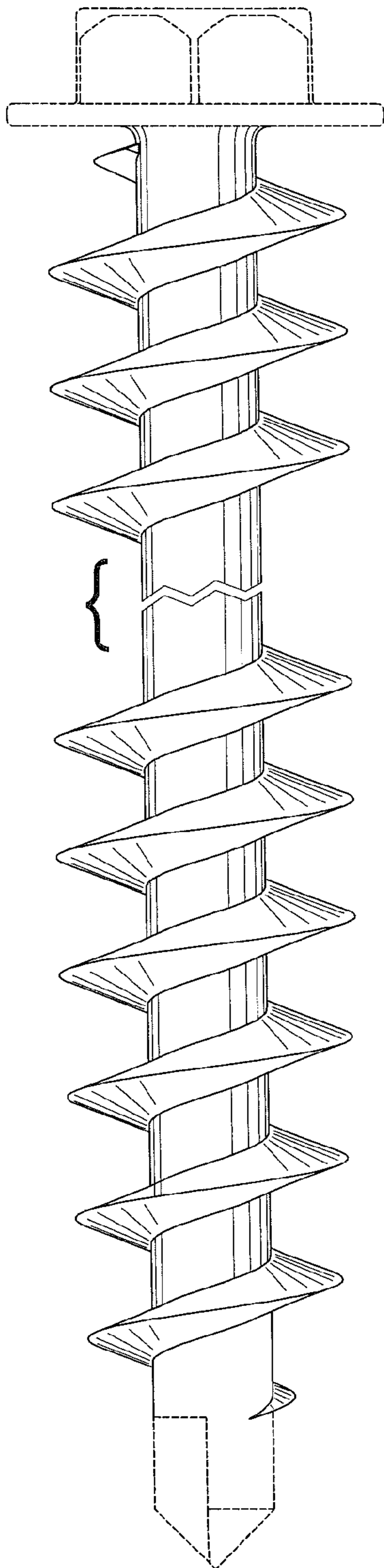


FIG. 5

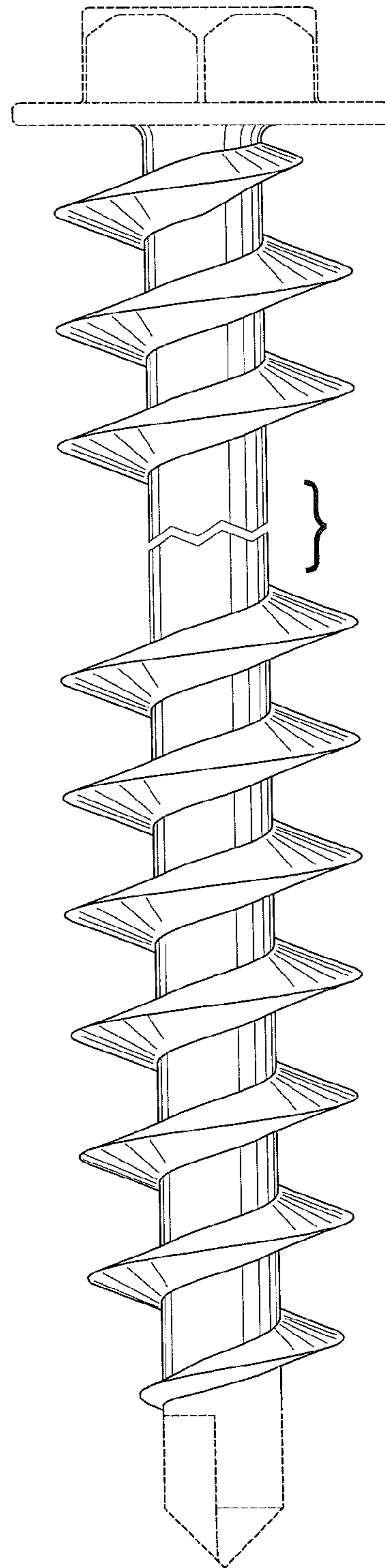


FIG. 6

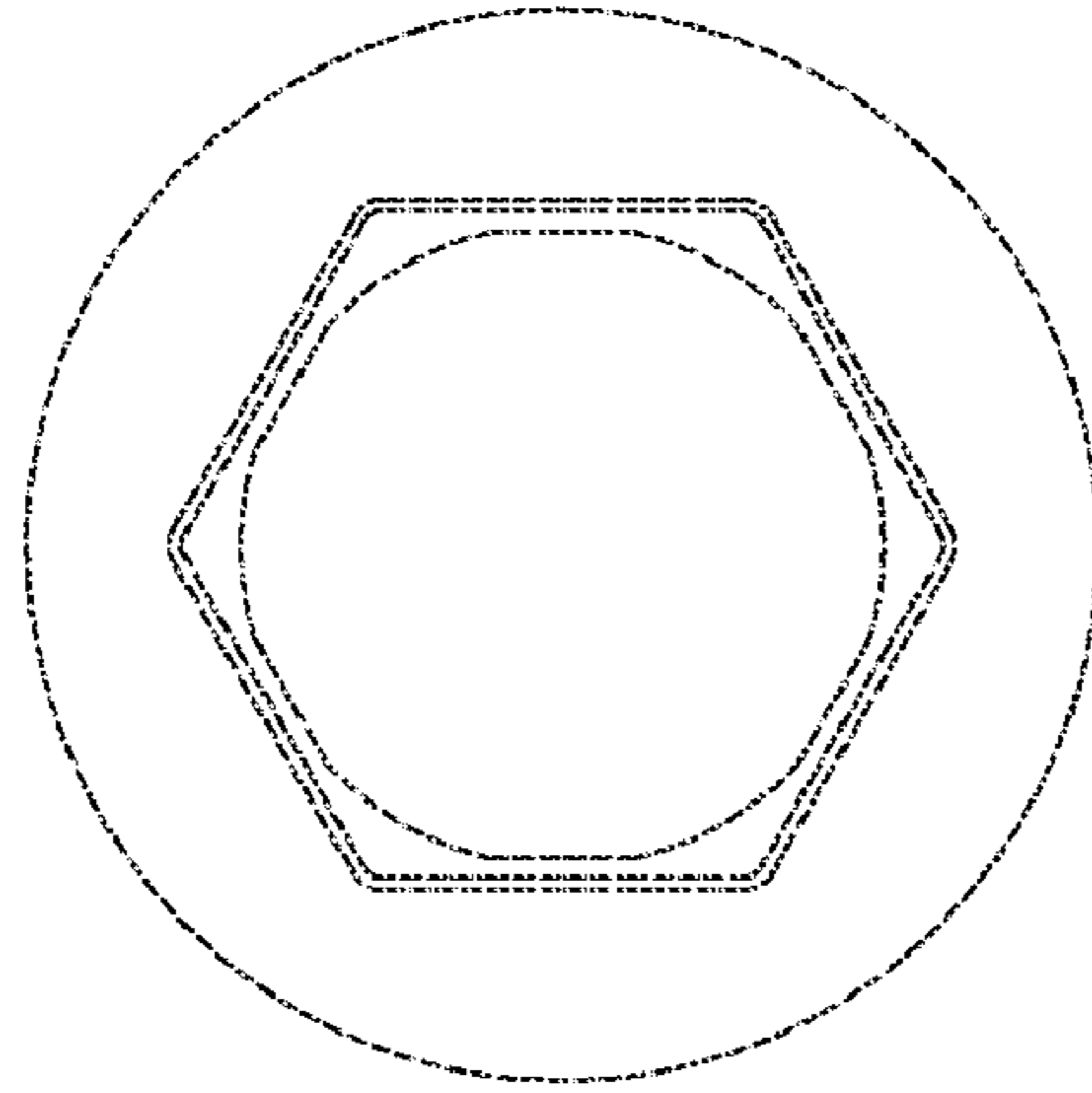


FIG. 7

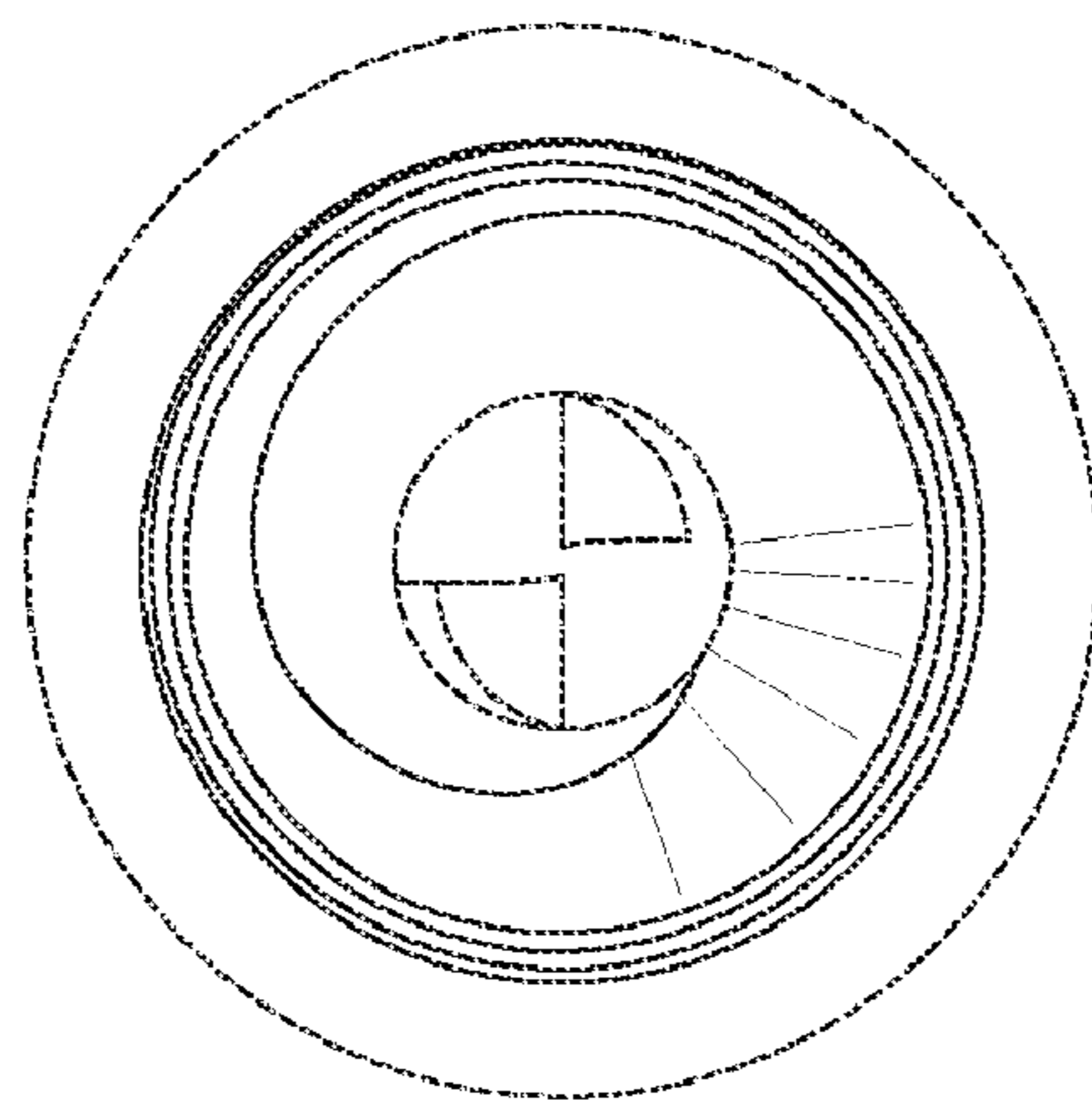


FIG. 8