



US00D666484S

(12) **United States Design Patent**  
**Heindl**

(10) **Patent No.:** **US D666,484 S**

(45) **Date of Patent:** **\*\* Sep. 4, 2012**

(54) **SHEET PILE CONNECTOR**

(75) Inventor: **Richard Heindl**, Siegsdorf (DE)

(73) Assignee: **Richard Heindl**, Siegsdorf (DE)

(\*\*) Term: **14 Years**

(21) Appl. No.: **29/390,816**

(22) Filed: **Apr. 29, 2011**

(30) **Foreign Application Priority Data**

Oct. 29, 2010 (EP) ..... 001775271

(51) **LOC (9) Cl.** ..... **08-08**

(52) **U.S. Cl.** ..... **D8/382**

(58) **Field of Classification Search** ..... D8/382,  
D8/394, 395; D25/119, 61; 405/279, 278;  
24/573.09, 346, 370; 428/99

See application file for complete search history.

(56) **References Cited**

U.S. PATENT DOCUMENTS

|           |     |        |               |       |         |
|-----------|-----|--------|---------------|-------|---------|
| 1,847,507 | A * | 3/1932 | Wilhelmi      | ..... | 405/278 |
| 6,092,346 | A * | 7/2000 | Even et al.   | ..... | 52/579  |
| D527,248  | S * | 8/2006 | Heindl et al. | ..... | D8/382  |
| D527,619  | S * | 9/2006 | Heindl et al. | ..... | D8/382  |
| D542,642  | S * | 5/2007 | Heindl        | ..... | D8/382  |
| D543,444  | S * | 5/2007 | Heindl        | ..... | D8/382  |

\* cited by examiner

*Primary Examiner* — Sheryl Lane

(74) *Attorney, Agent, or Firm* — Novak Druce + Quigg LLP

(57) **CLAIM**

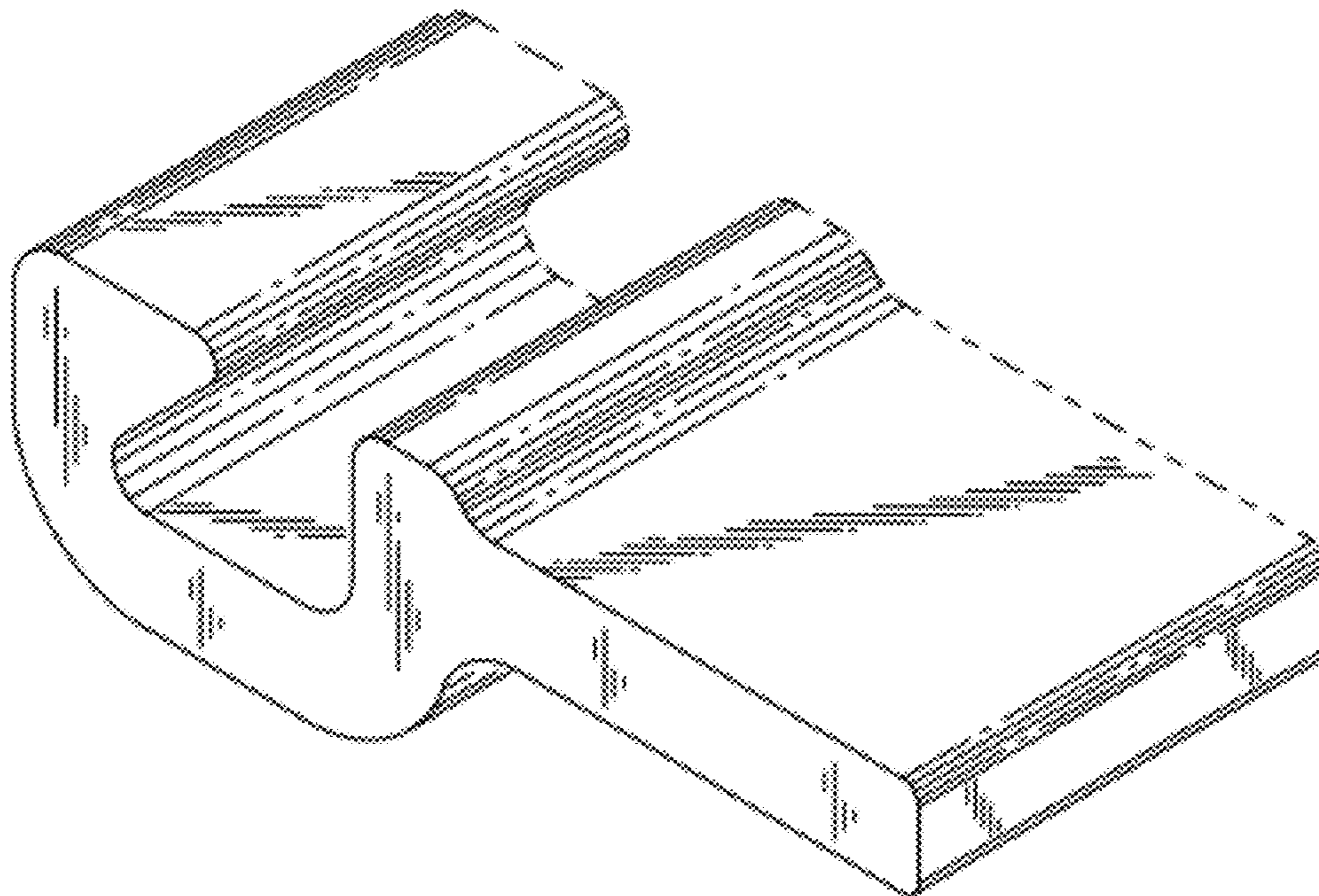
I claim the ornamental design for a sheet pile connector, as shown and described.

**DESCRIPTION**

FIG. 1 is a perspective view of a sheet pile connector;  
FIG. 2 is a front elevational view thereof;  
FIG. 3 is a bottom plan view thereof; and,  
FIG. 4 is a top plan view thereof.

The broken line showing of the connector is for the purpose of showing boundaries and forms no part of the claimed design.

**1 Claim, 4 Drawing Sheets**



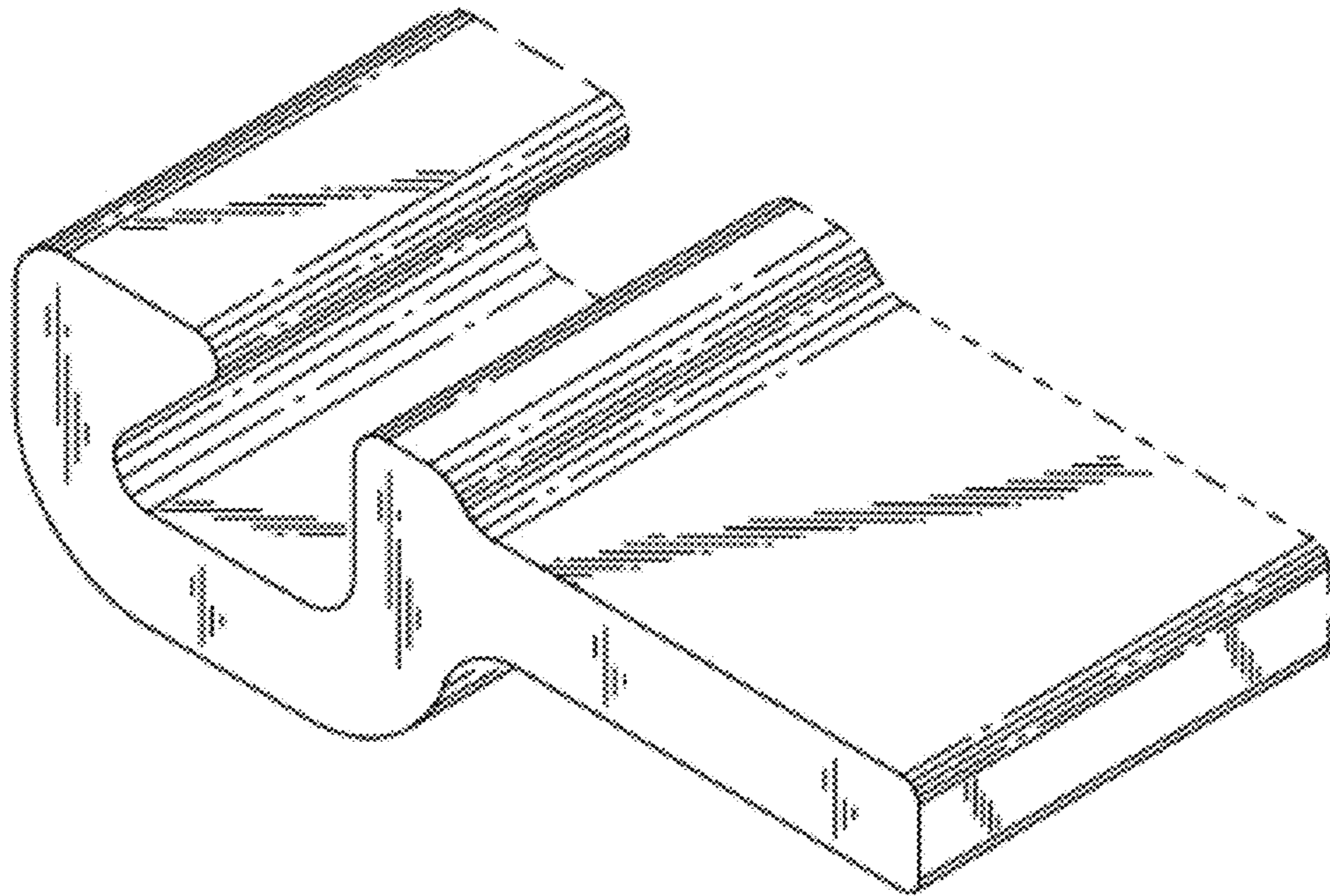


Fig. 1

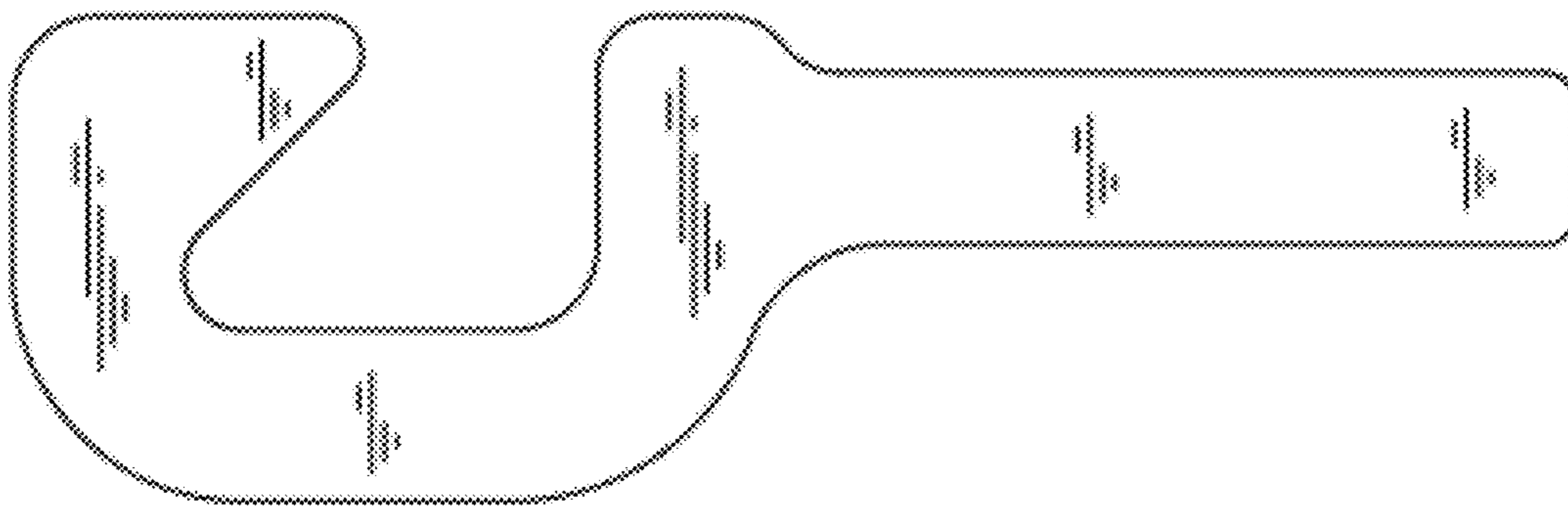


Fig. 2

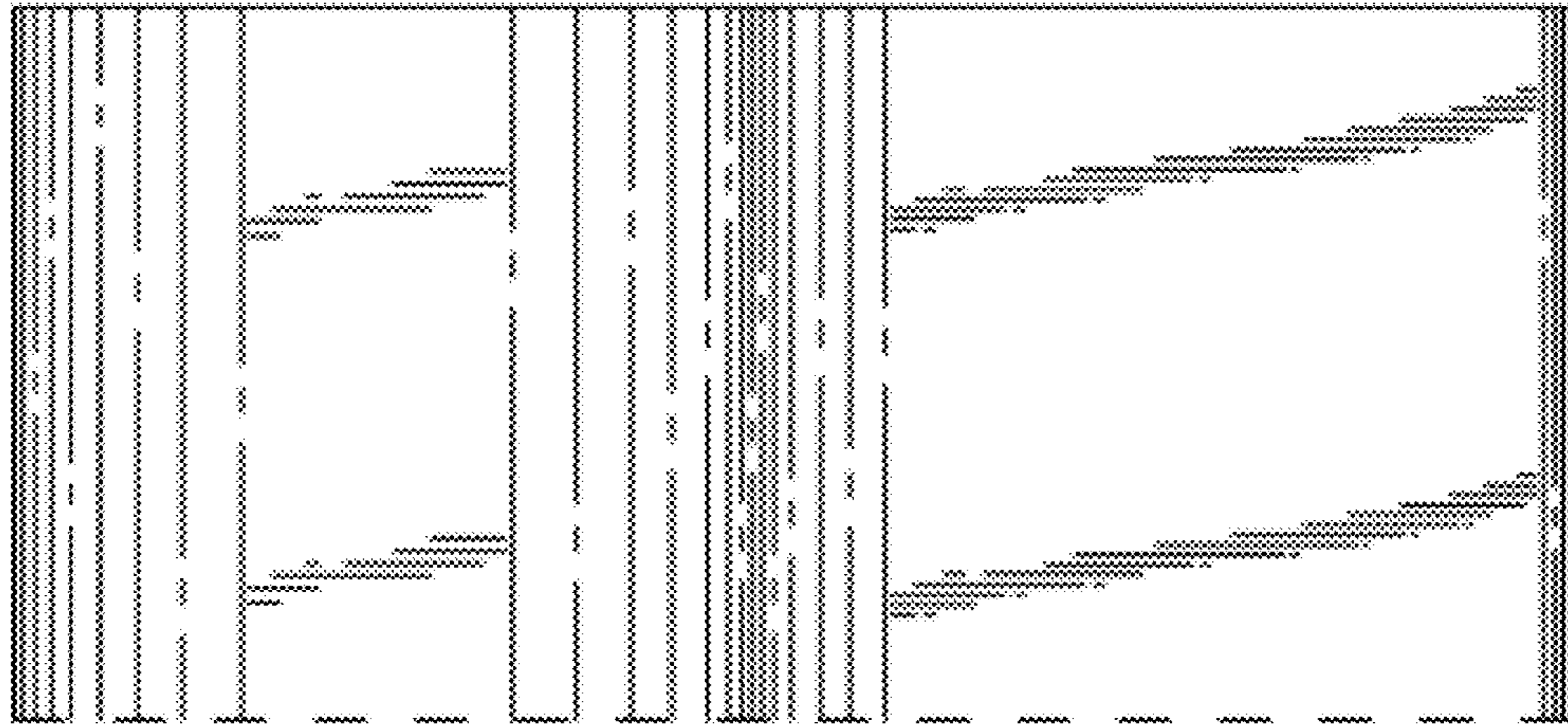


Fig. 3



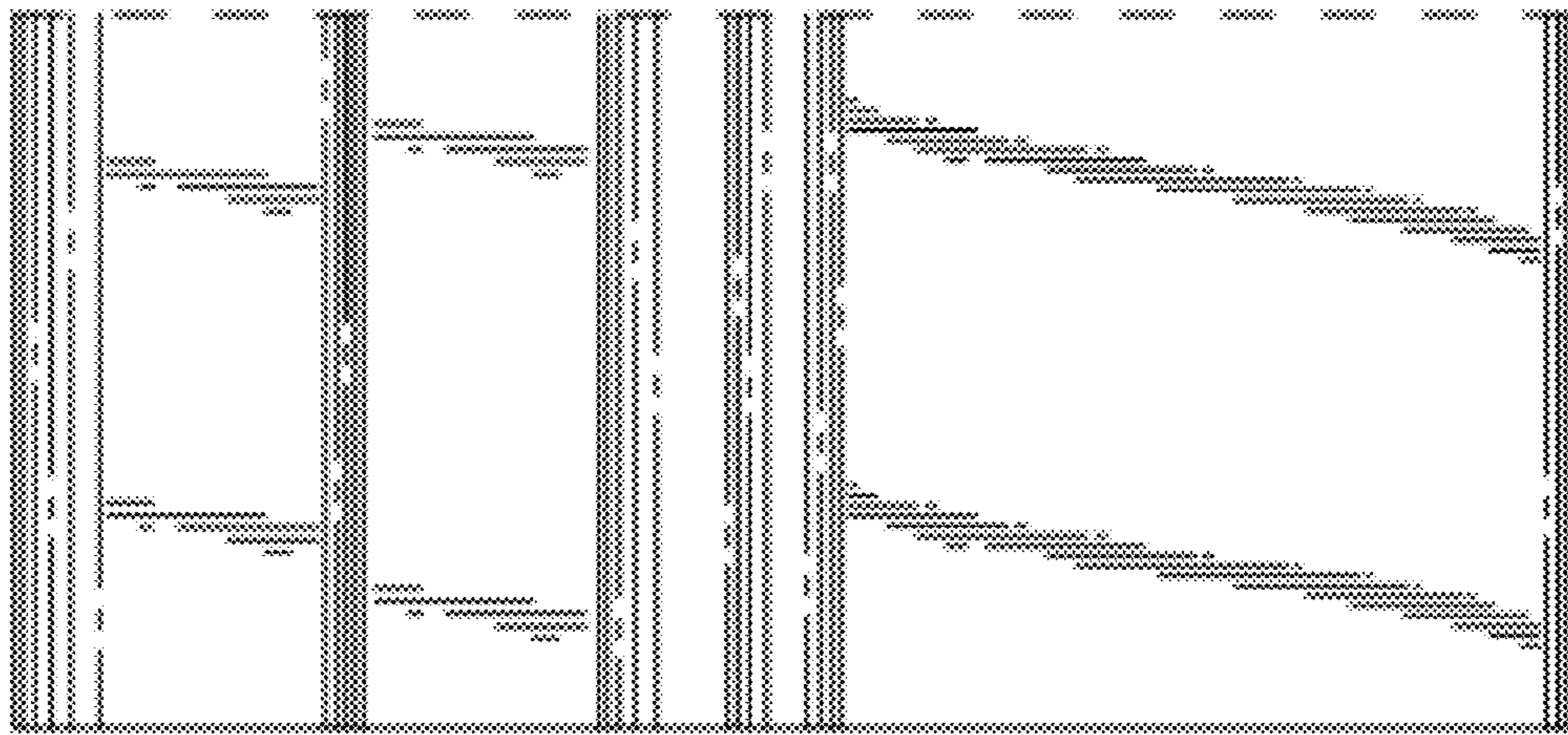


Fig. 4