



US00D666481S

(12) **United States Design Patent**
Wong

(10) **Patent No.:** **US D666,481 S**

(45) **Date of Patent:** **** Sep. 4, 2012**

(54) **CONNECTOR FOR FRUIT AND VEGETABLE CAGES**

(76) Inventor: **Sharon Yoke Heng Wong**, Kettering (GB)

(**) Term: **14 Years**

(21) Appl. No.: **29/353,693**

(22) Filed: **Jan. 13, 2010**

(30) **Foreign Application Priority Data**

Jul. 17, 2009 (EM) 00-1586157

(51) **LOC (9) Cl.** **08-08**

(52) **U.S. Cl.** **D8/382**; D21/502; D25/61; D8/354

(58) **Field of Classification Search** D9/434;
D6/466-469; D8/1, 349, 354, 355, 382;
D21/484-490, 492-495, 498, 499, 503, 504;
403/263, 260, 296, 186, 201, 231, 252, 254,
403/255-259; 446/69, 85, 103, 102, 104,
446/105, 106-128; 434/401, 403

See application file for complete search history.

(56) **References Cited**

U.S. PATENT DOCUMENTS

5,727,897	A *	3/1998	Liu	403/205
D396,501	S *	7/1998	Hatting	D21/484
D409,680	S *	5/1999	Krog	D21/502
6,109,997	A *	8/2000	Hatting	446/103
7,364,487	B2 *	4/2008	Evans et al.	446/108

* cited by examiner

Primary Examiner — Robert M Spear

Assistant Examiner — Rashida C McCoy

(74) *Attorney, Agent, or Firm* — Modern Times Legal

(57) **CLAIM**

The ornamental design for a connector for fruit and vegetable cages, substantially as shown and described.

DESCRIPTION

FIG. 1 is a perspective view of a first embodiment of a connector for fruit and vegetable cages showing my design.

FIG. 2 is a top view of the first embodiment.

FIG. 3 is a bottom view of the first embodiment.

FIG. 4 is a front view of the first embodiment.

FIG. 5 is a right view of the first embodiment.

FIG. 6 is a back view of the first embodiment.

FIG. 7 is a left view of the first embodiment.

FIG. 8 is a perspective view of a second embodiment of a connector for fruit and vegetable cages showing my design.

FIG. 9 is a top view of the second embodiment.

FIG. 10 is a bottom view of the second embodiment.

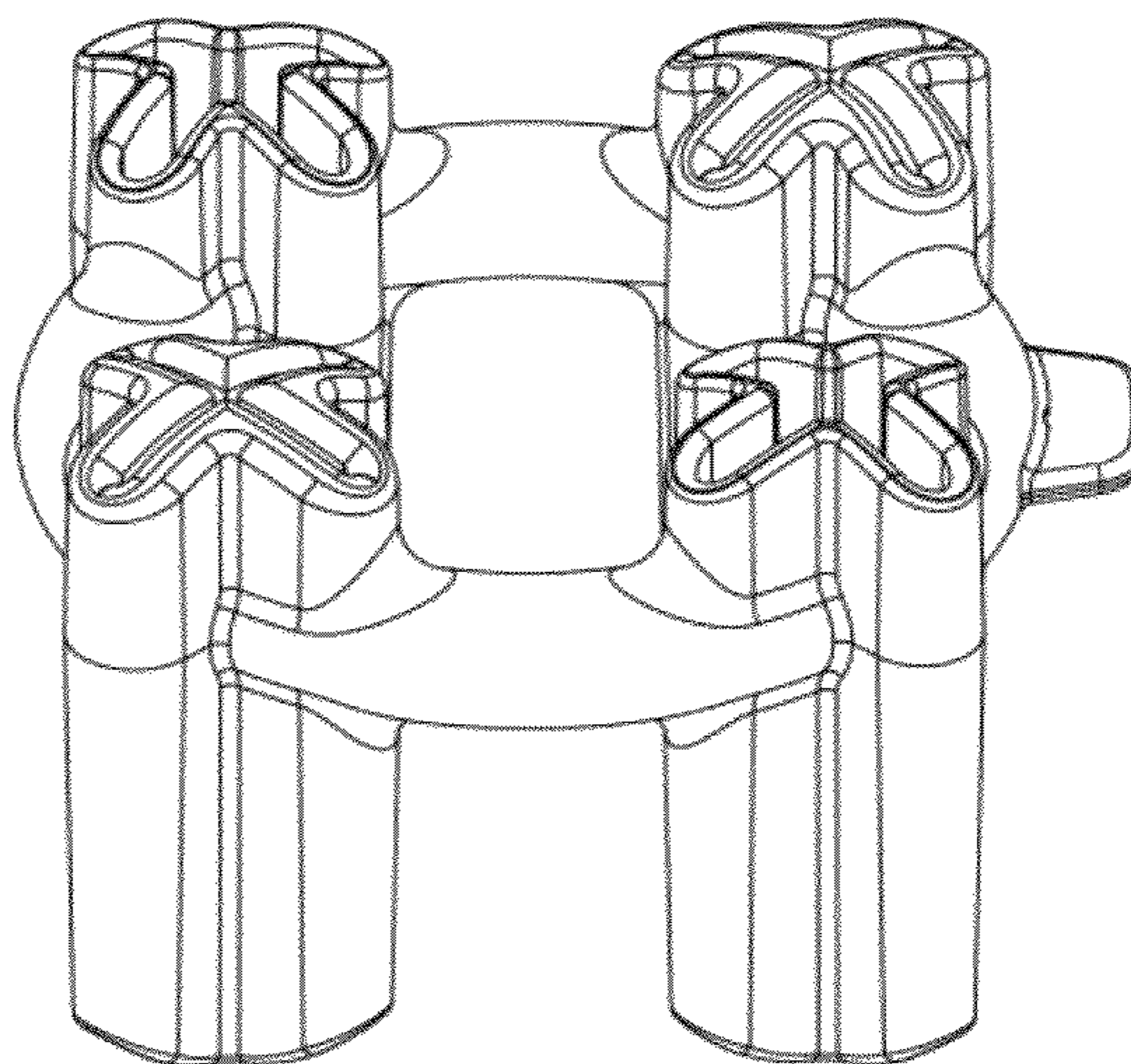
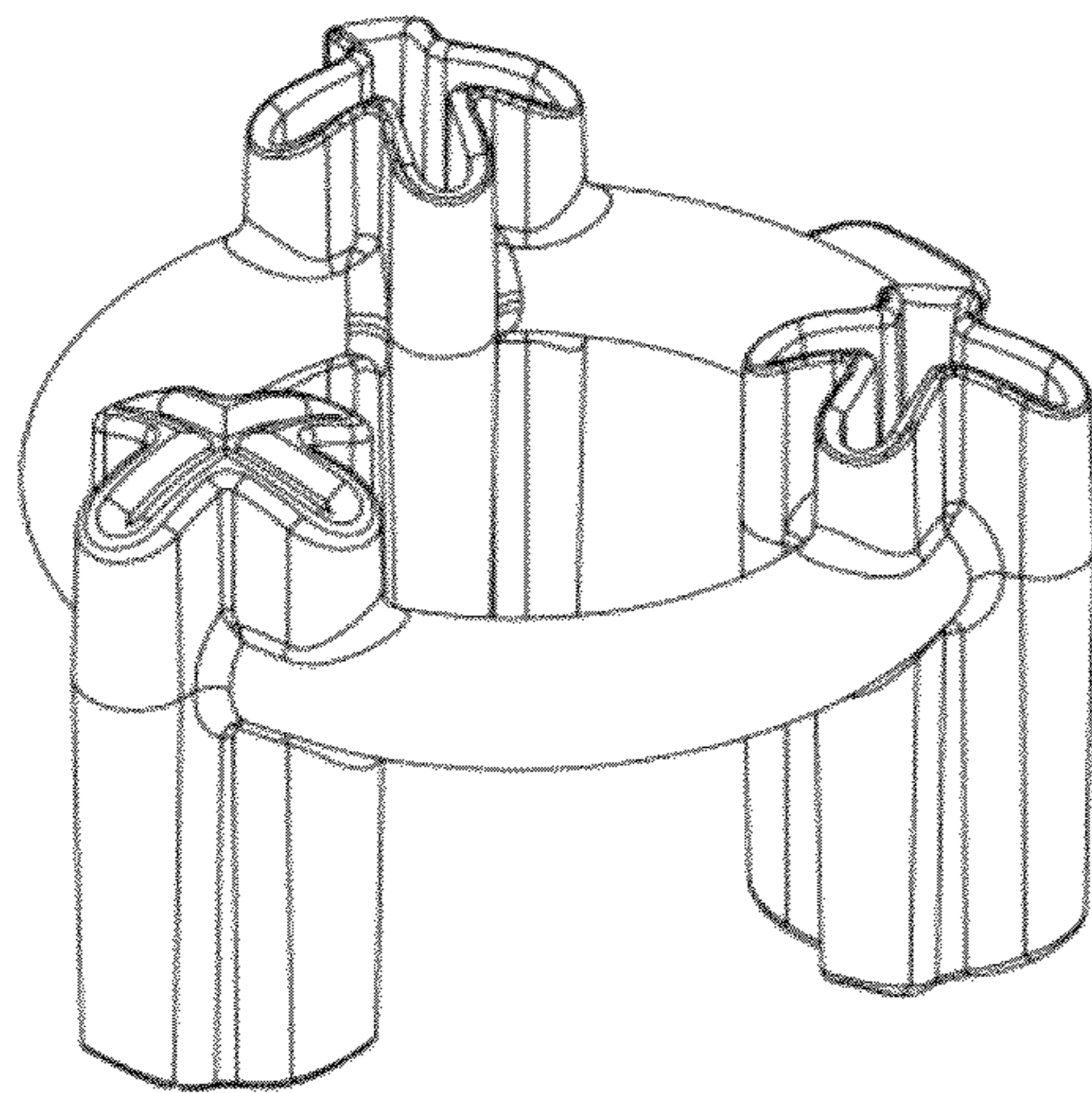
FIG. 11 is a front view of the second embodiment.

FIG. 12 is a right view of the second embodiment.

FIG. 13 is a back view of the second embodiment; and,

FIG. 14 is a left view of the second embodiment.

1 Claim, 7 Drawing Sheets



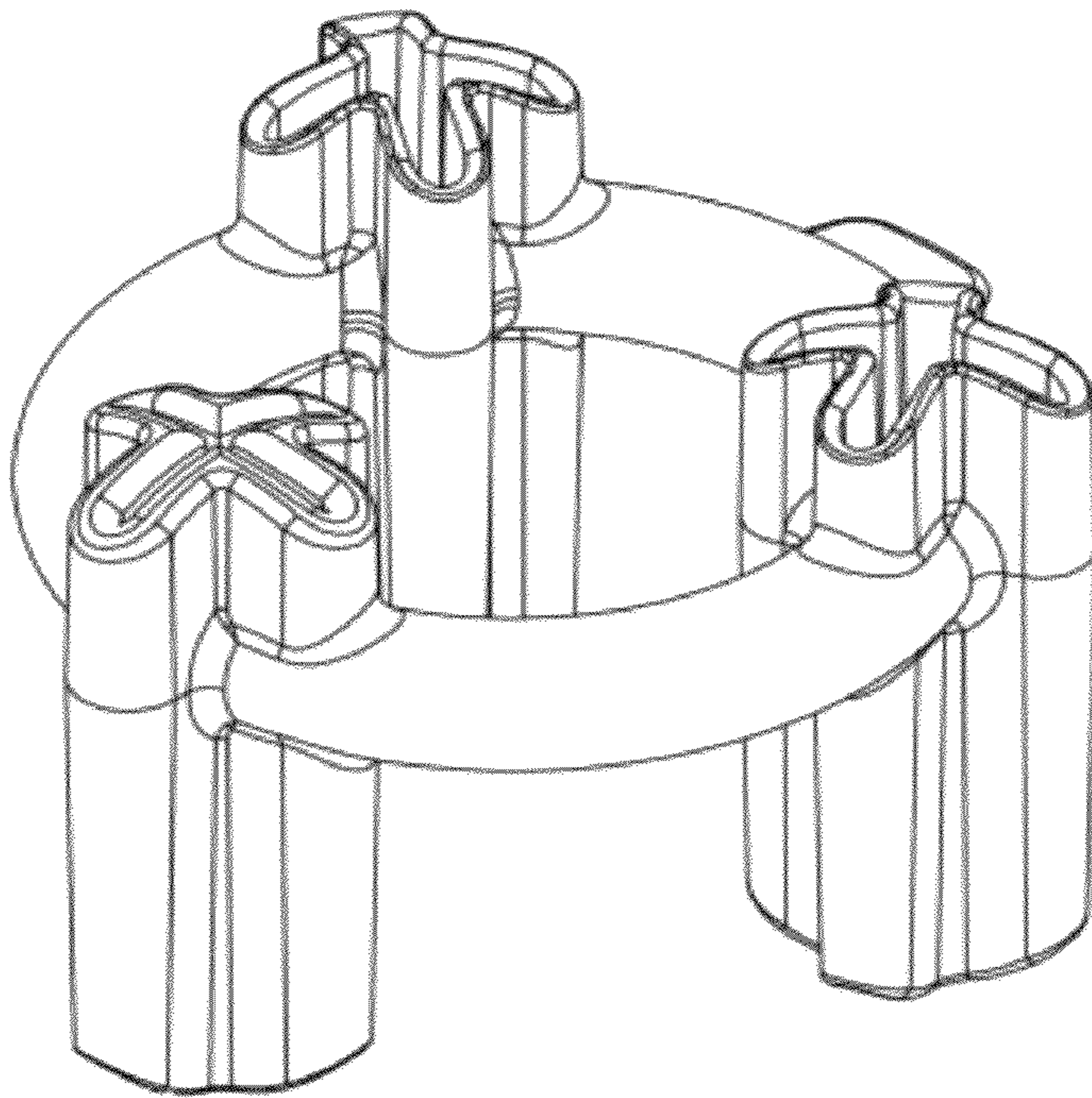


FIG. 1

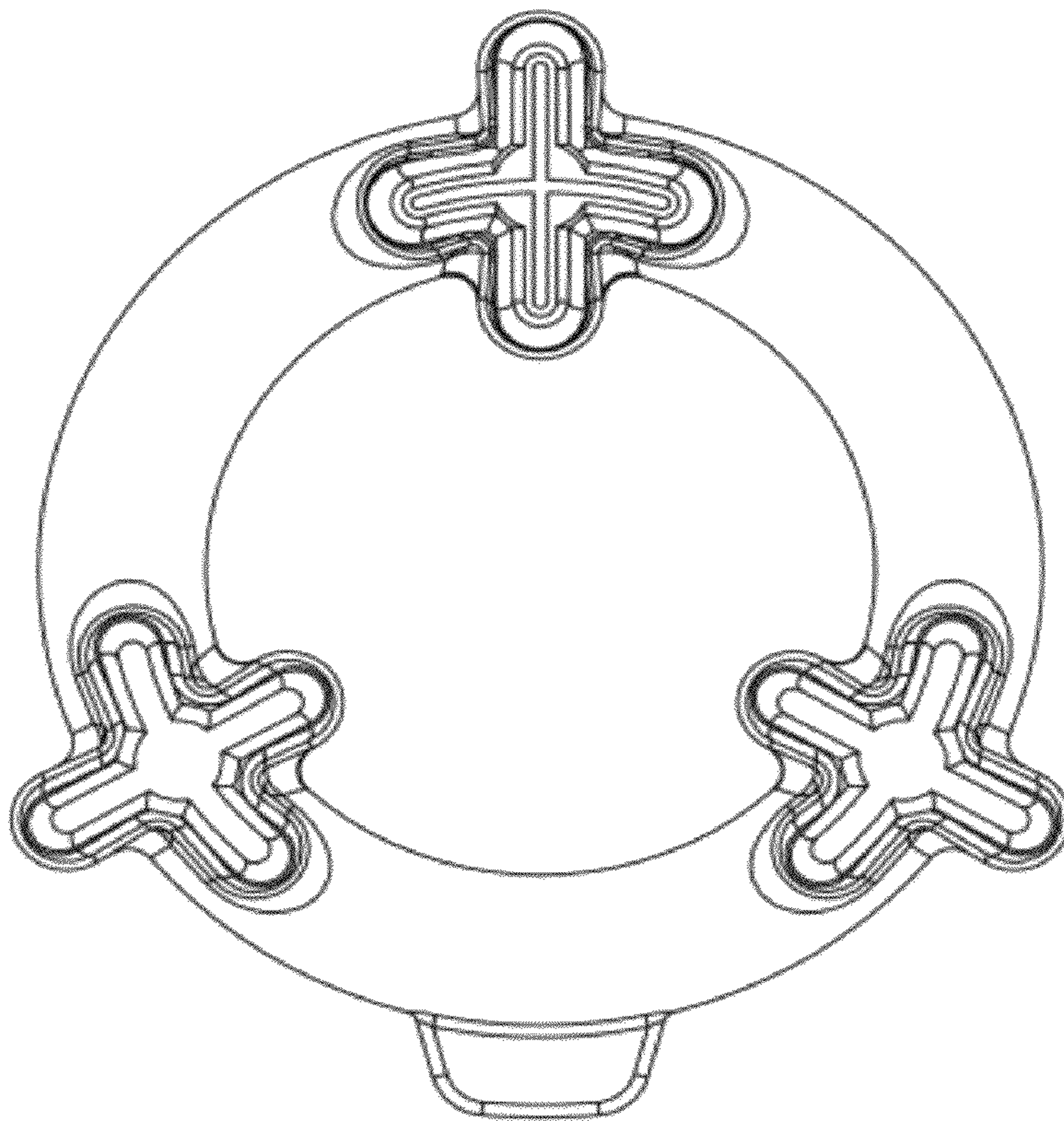


FIG. 2

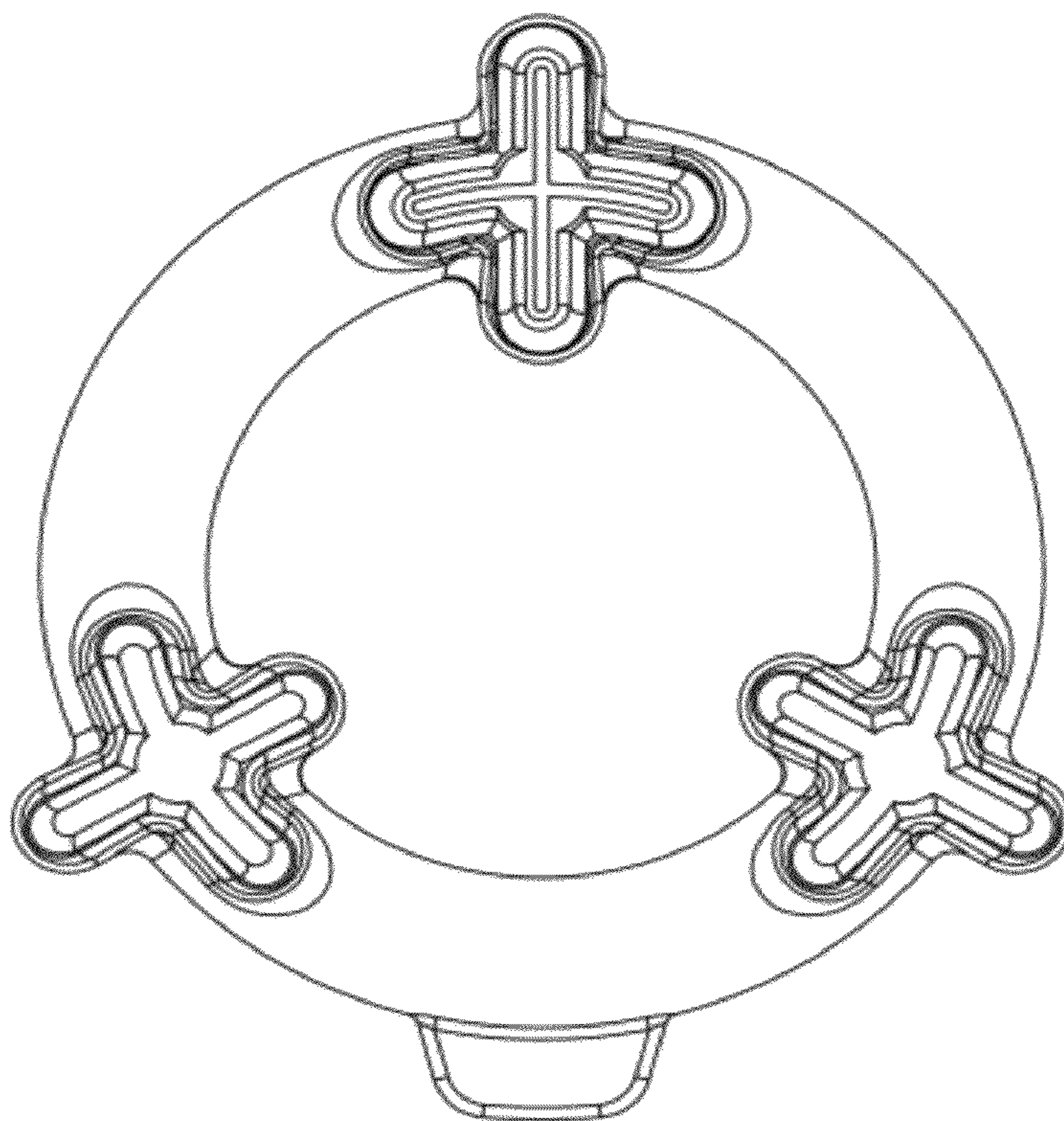


FIG. 3

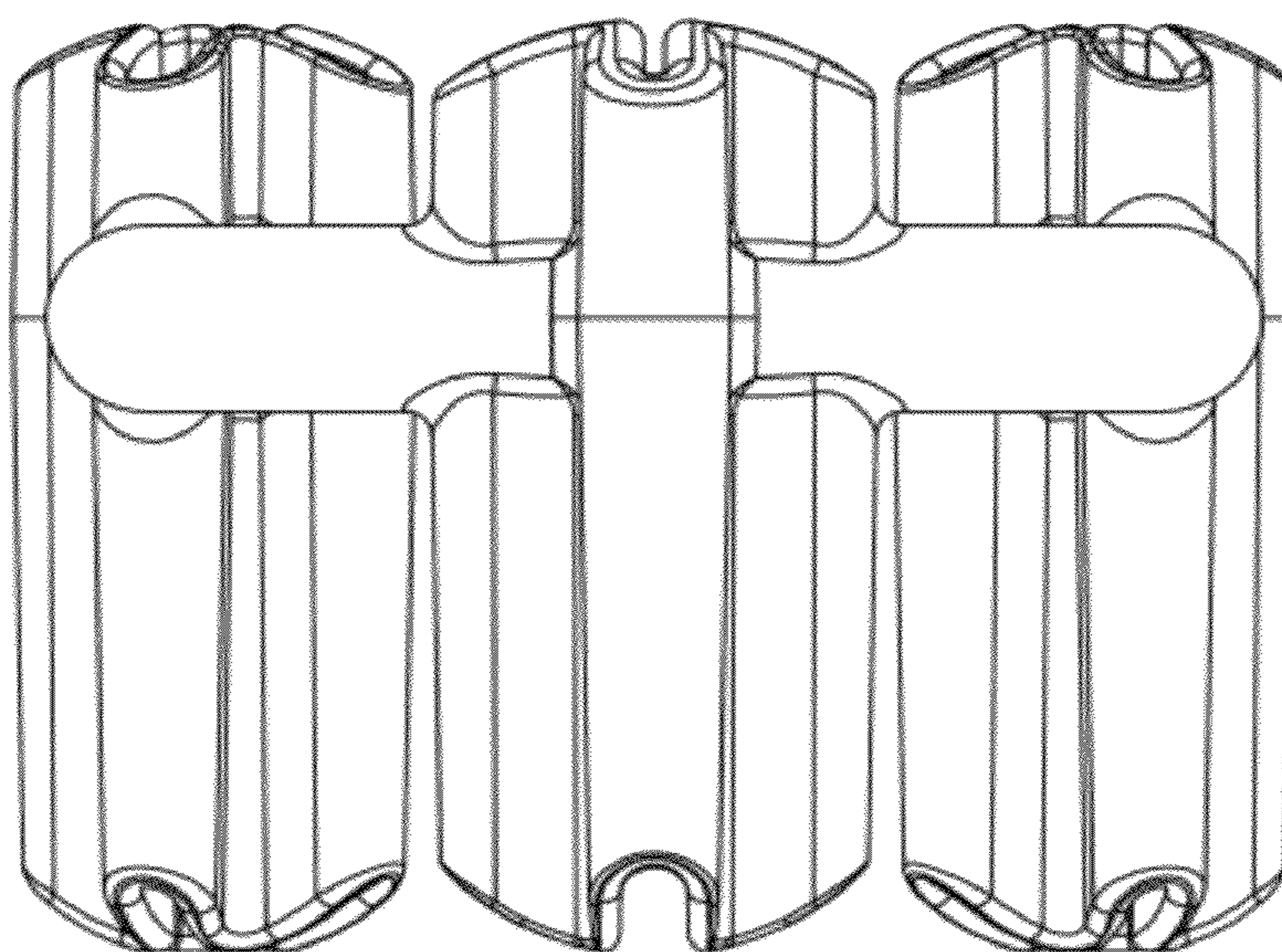


FIG. 4

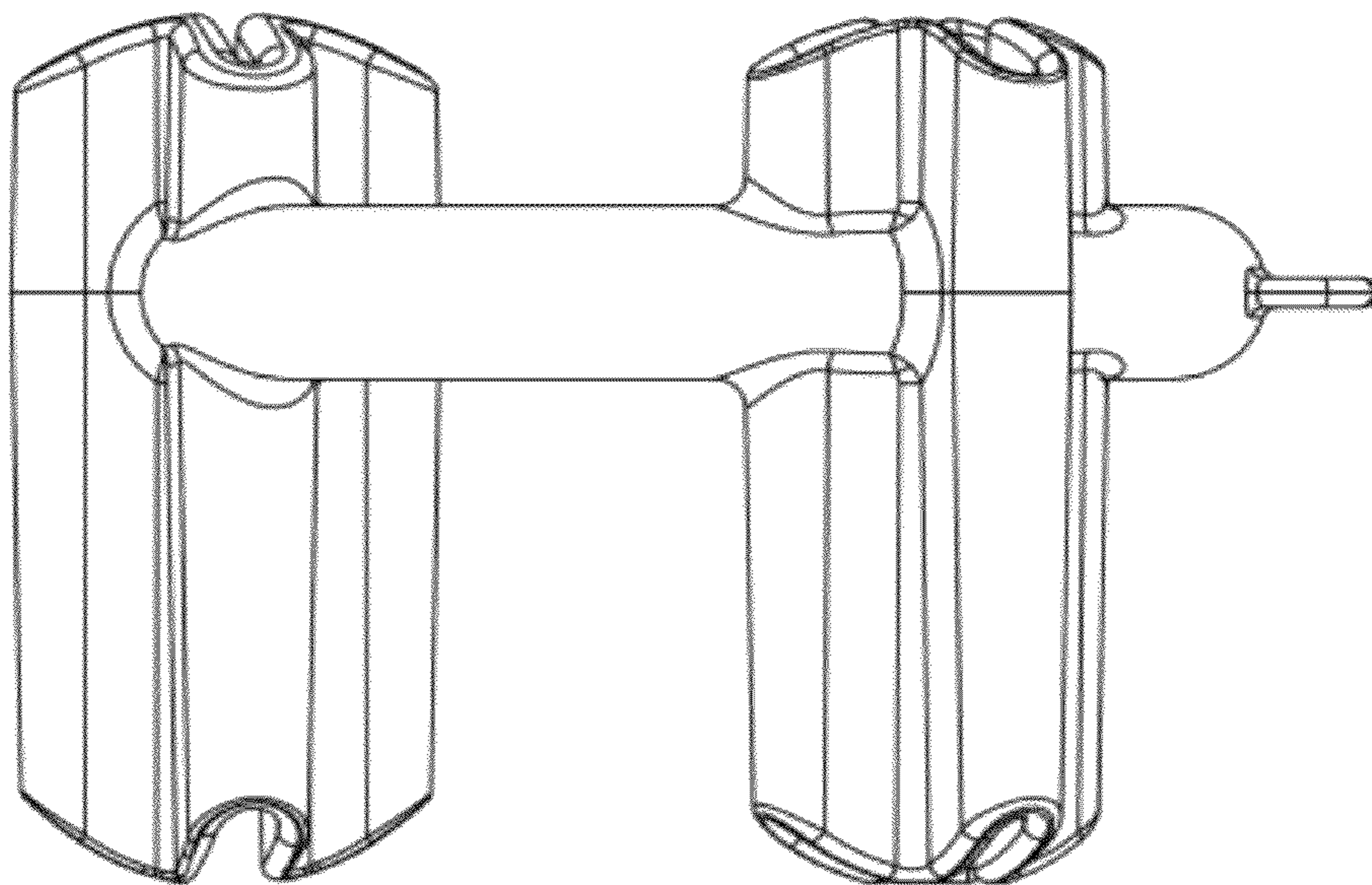


FIG. 5

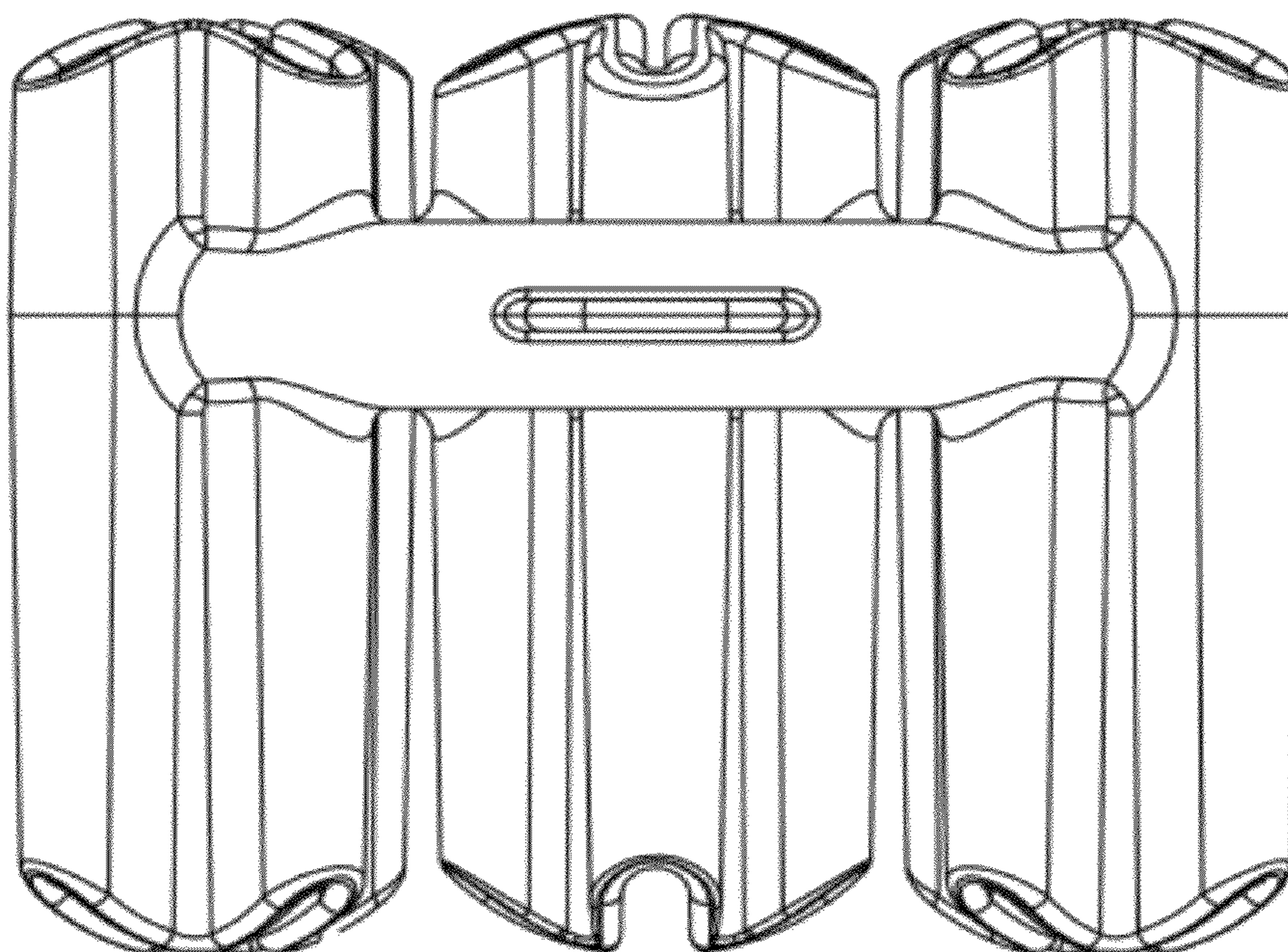


FIG. 6

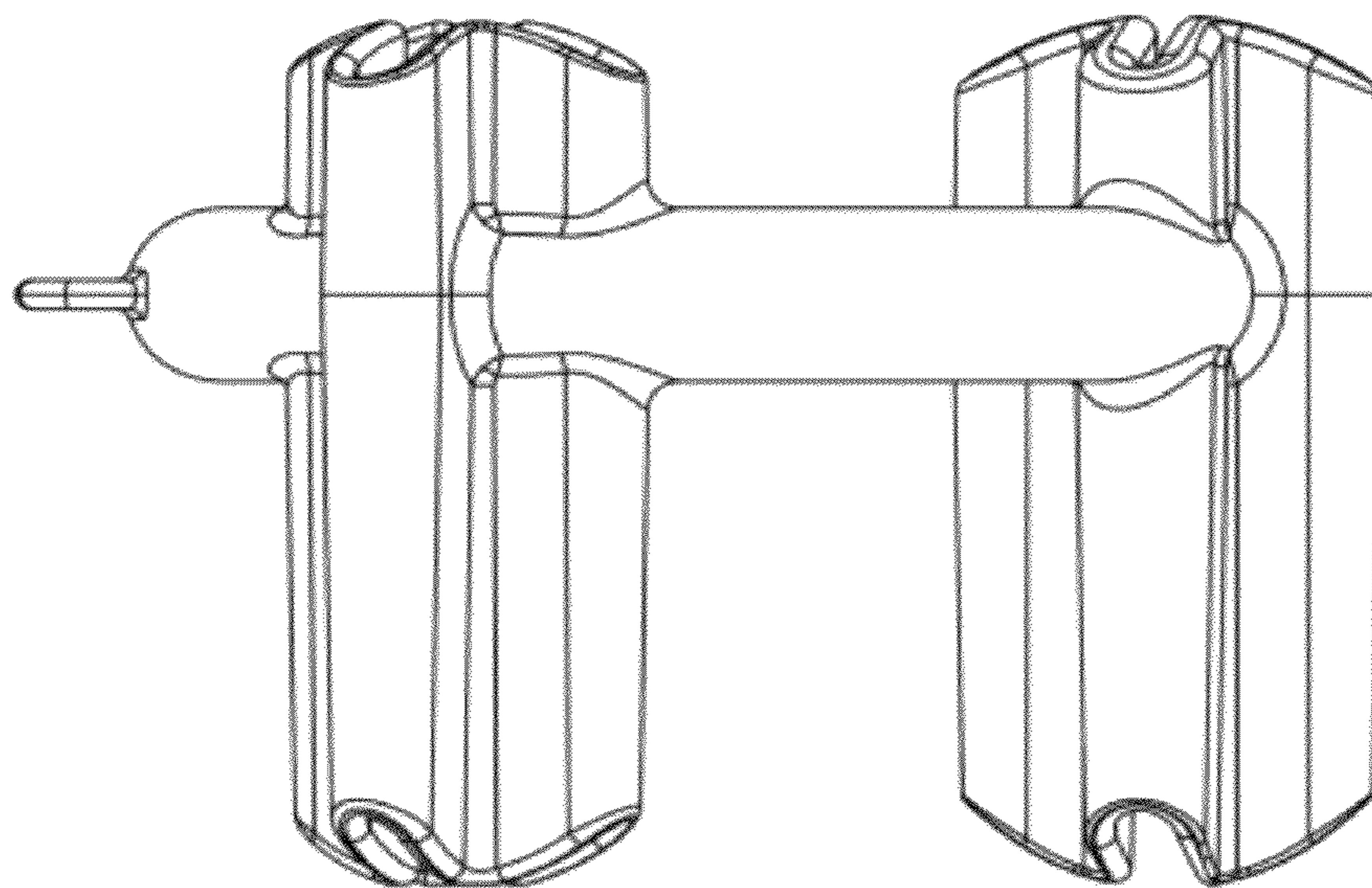


FIG. 7

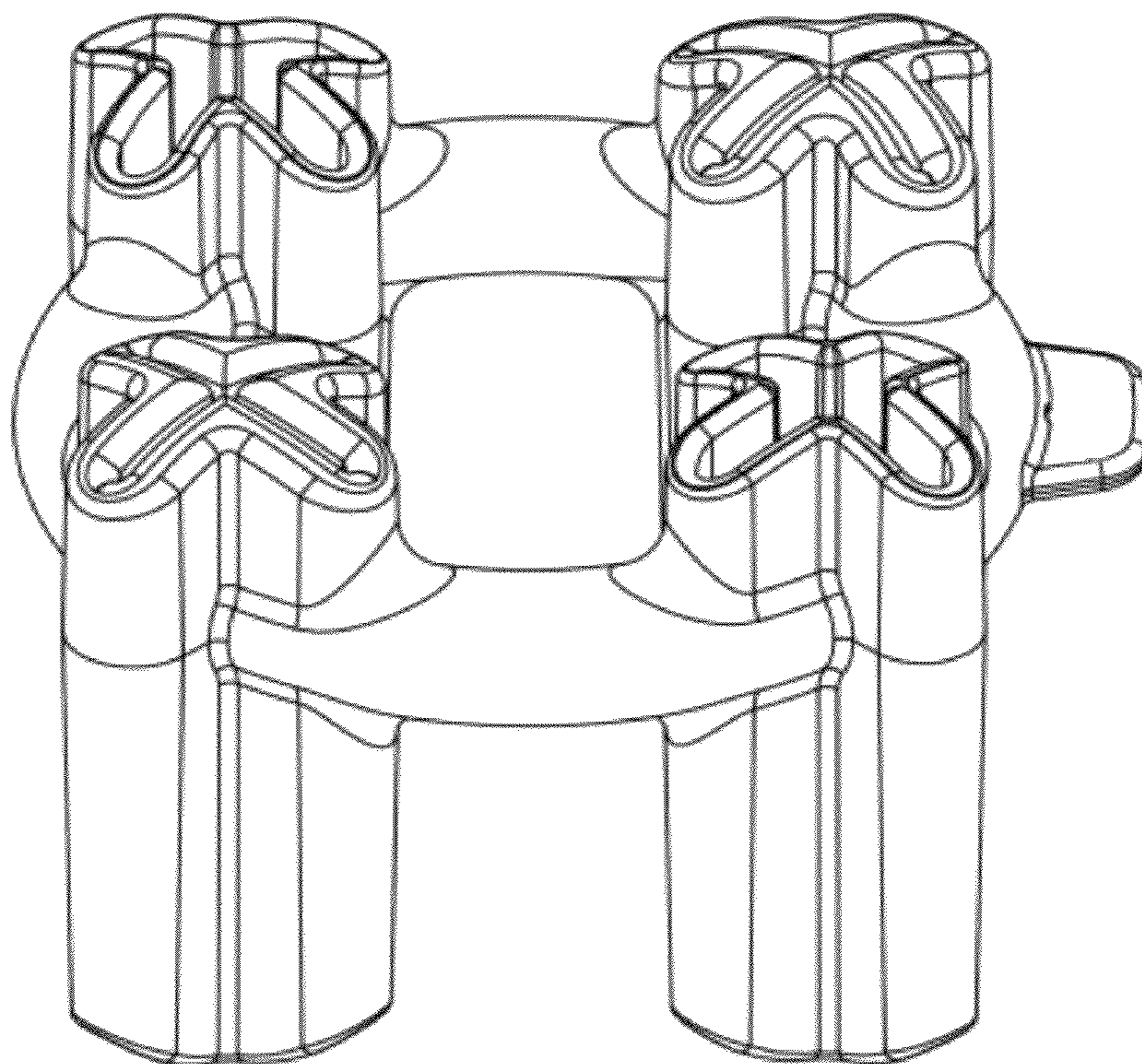


FIG. 8

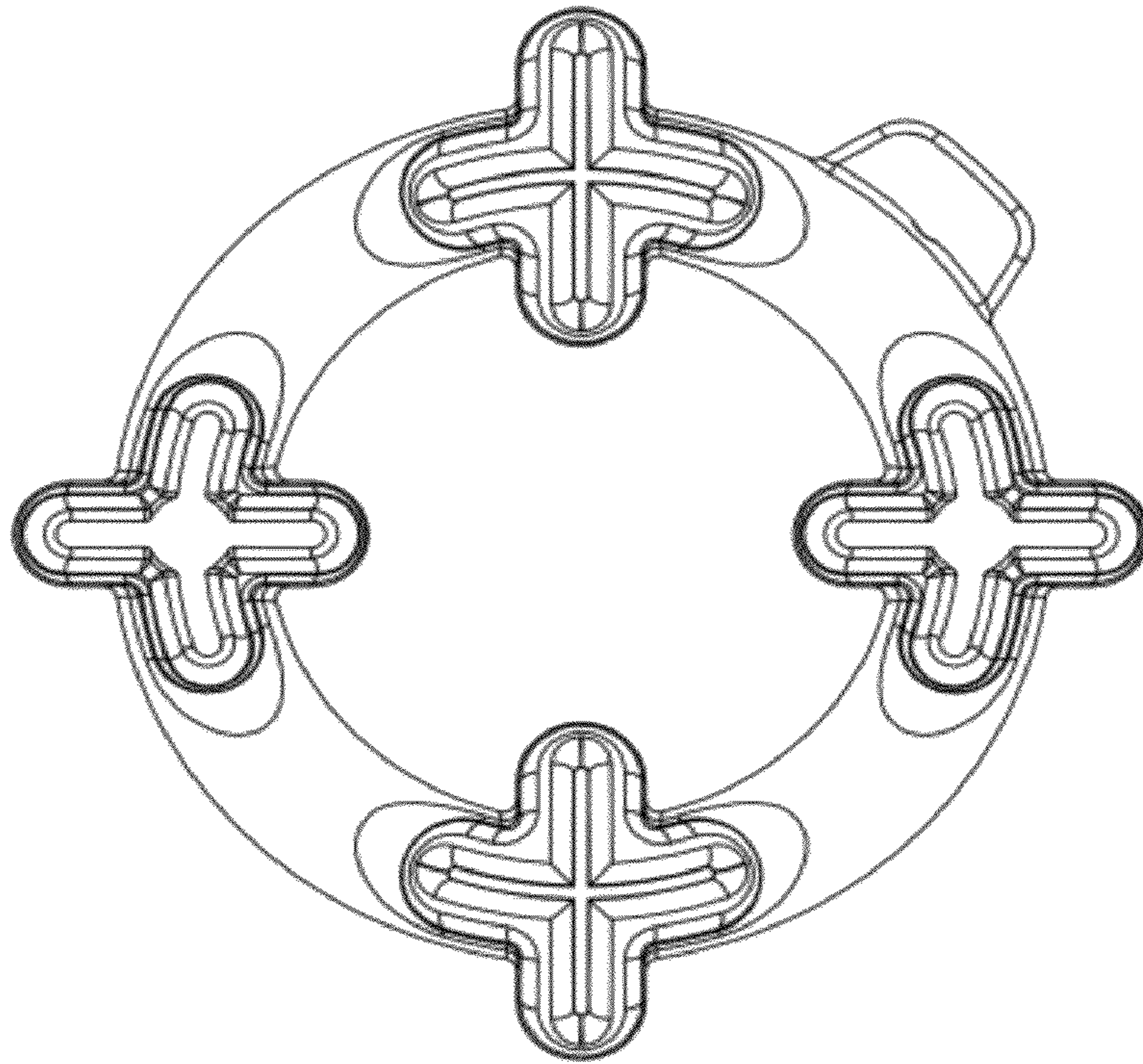


FIG. 9

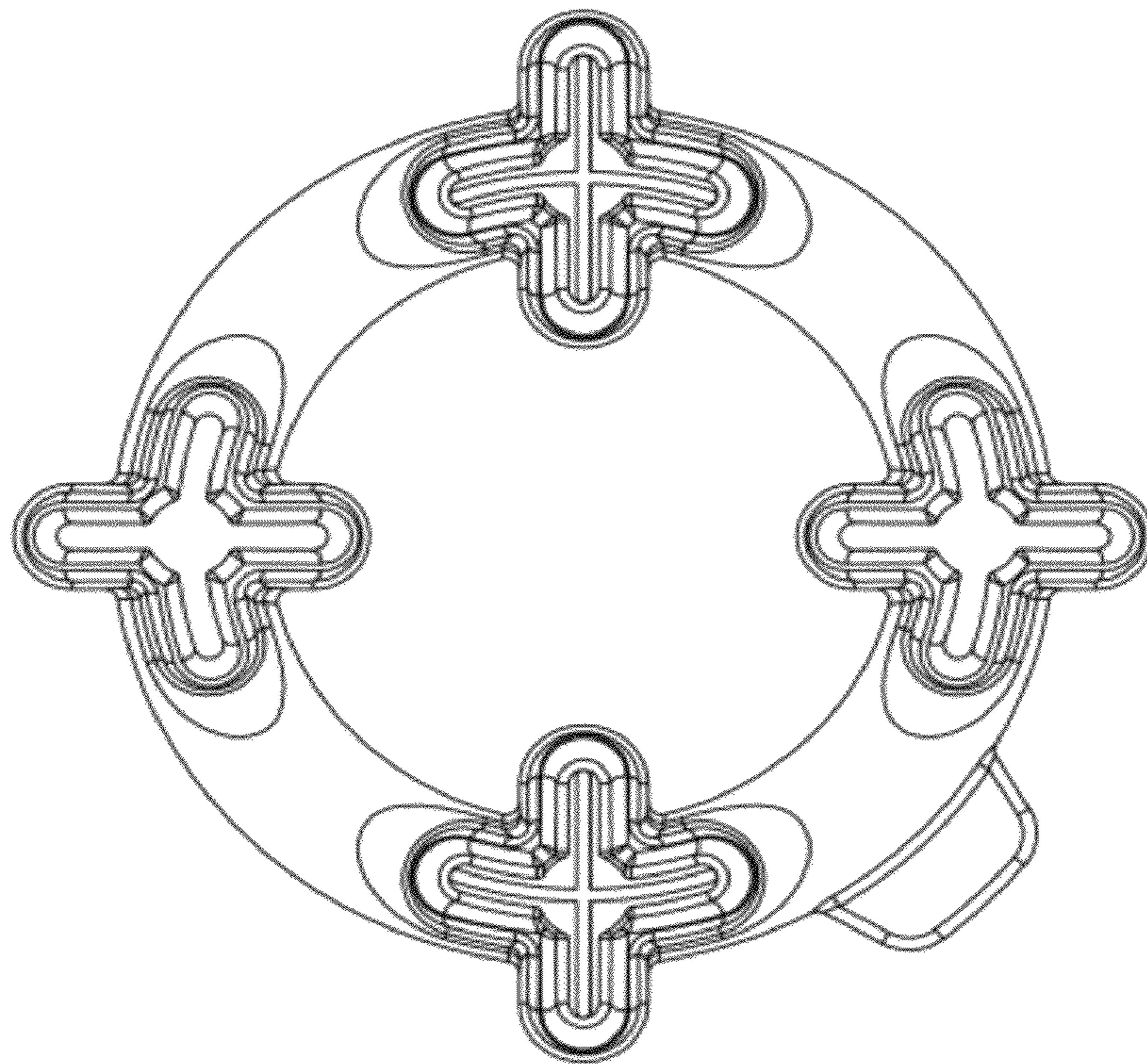


FIG. 10

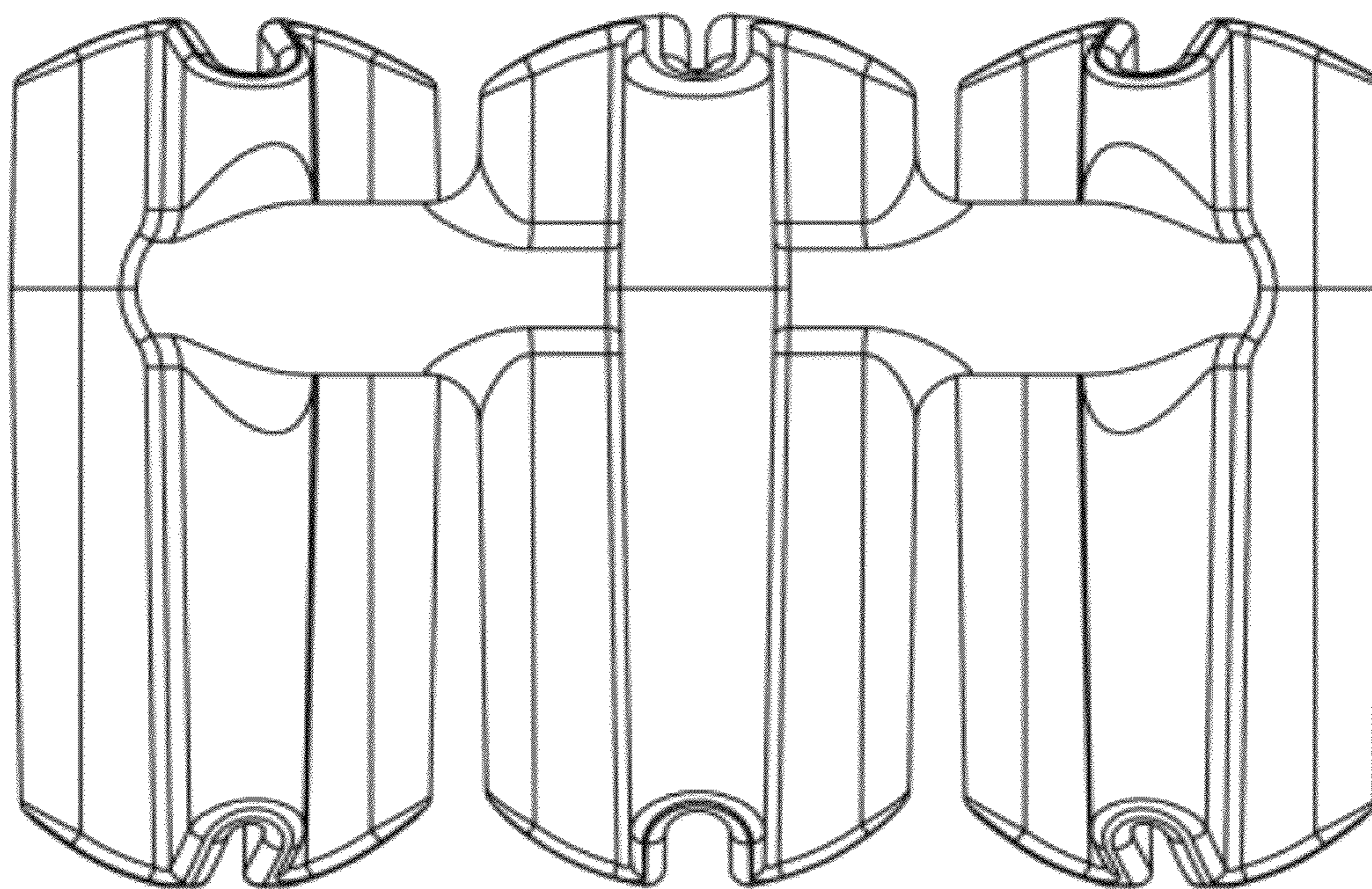


FIG. 11

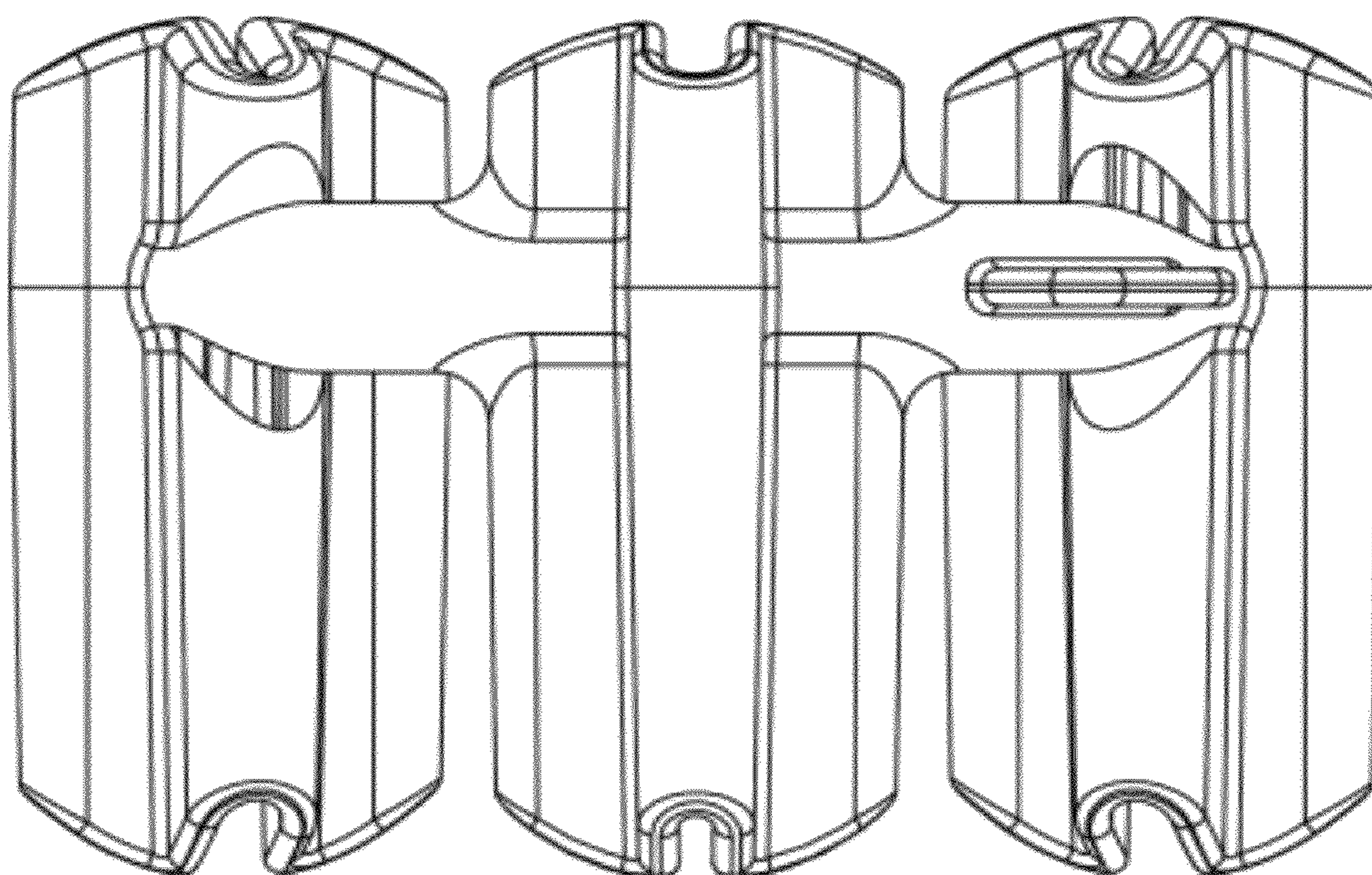


FIG. 12

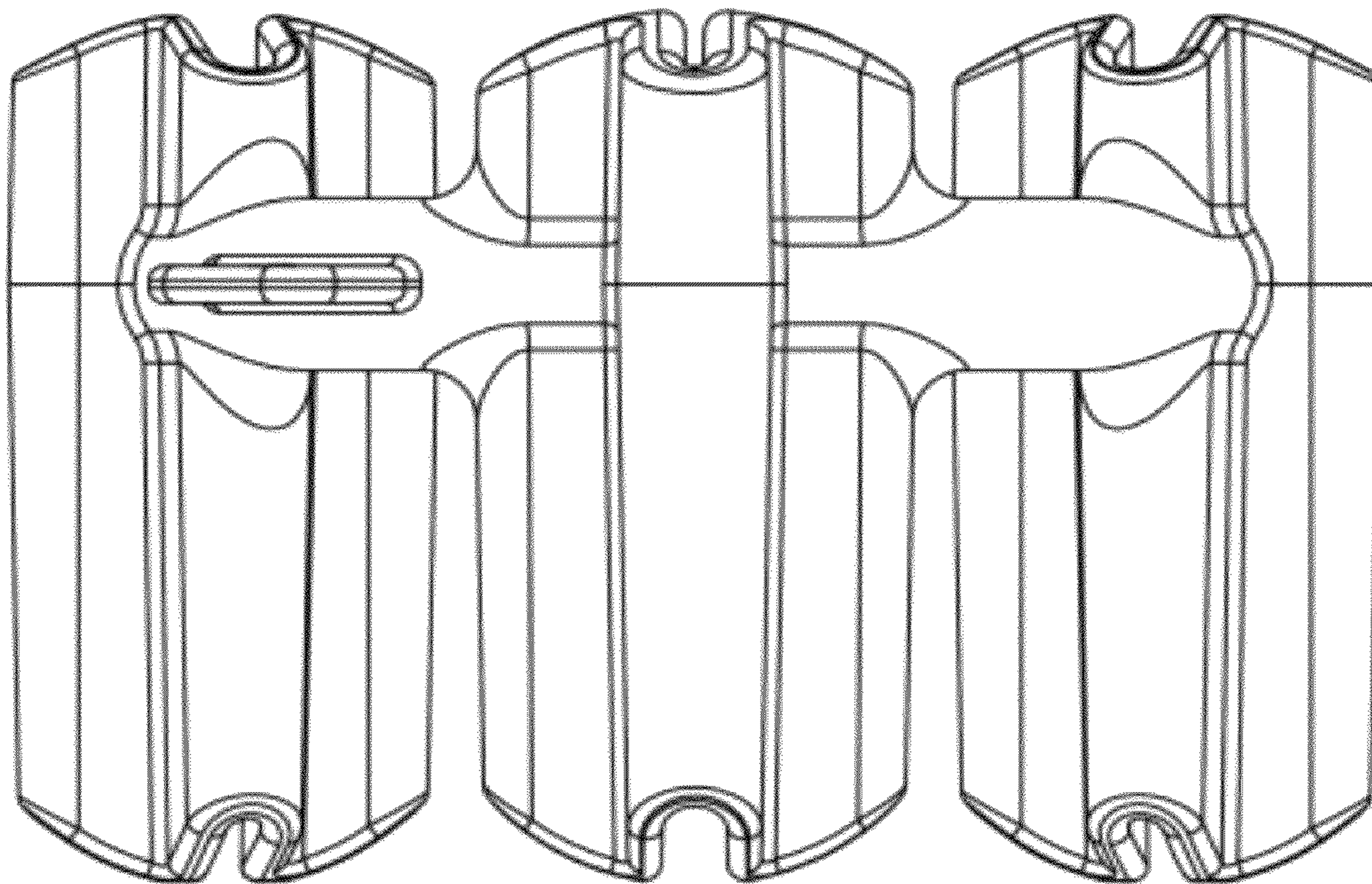


FIG. 13

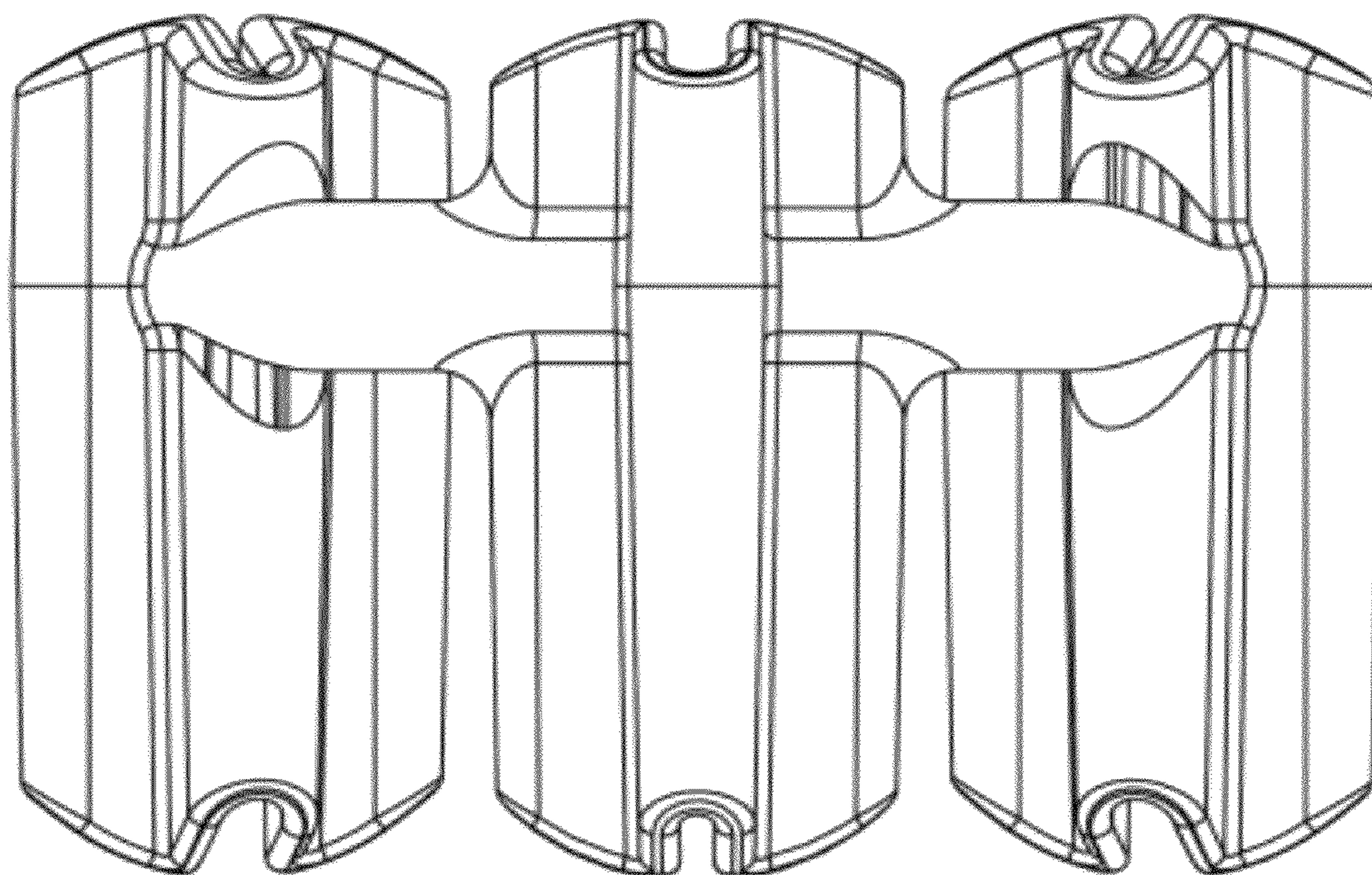


FIG. 14