



US00D666480S

(12) **United States Design Patent**  
**Peacock et al.**

(10) **Patent No.:** **US D666,480 S**  
(45) **Date of Patent:** **\*\* Sep. 4, 2012**

(54) **MODULAR GRID**

(75) Inventors: **Bobbie D. Peacock**, Peachtree City, GA (US); **Bryan N. Wilmoth**, Griffin, GA (US); **Edward G. Green**, Newnan, GA (US); **Thomas W. Windham, Jr.**, Brooks, GA (US); **Brian Scott Peacock**, Peachtree City, GA (US); **Thomas Joseph Holak**, Peachtree City, GA (US)

(73) Assignee: **M.A. Industries, Inc.**, Peachtree City, GA (US)

(\*\*) Term: **14 Years**

(21) Appl. No.: **29/412,861**

(22) Filed: **Feb. 8, 2012**

**Related U.S. Application Data**

(62) Division of application No. 29/361,883, filed on May 17, 2010, now Pat. No. Des. 656,390.

(51) **LOC (9) Cl.** ..... **08-05**

(52) **U.S. Cl.** ..... **D8/380**

(58) **Field of Classification Search** ..... D8/394, D8/381, 380, 373, 371, 366, 354, 349; D6/574, D6/511, 479, 478, 474, 466, 463, 436, 399; D25/132, 131, 126, 123; D23/267; 248/68.1, 248/65, 49, 243; 211/87.01, 191-193, 188, 211/187, 134; 108/157.13, 152, 110, 108, 108/105

See application file for complete search history.

(56) **References Cited**

**U.S. PATENT DOCUMENTS**

3,464,661	A *	9/1969	Alesi, Jr.	248/68.1
3,523,667	A *	8/1970	Guerrero	248/49
3,856,246	A *	12/1974	Sinko	248/68.1
3,964,707	A *	6/1976	Lewis	248/49
4,007,941	A *	2/1977	Stancati	277/606
4,075,803	A *	2/1978	Alesi, Jr.	52/220.8

4,099,626	A *	7/1978	Magnussen, Jr.	211/60.1
4,199,070	A *	4/1980	Magnussen, Jr.	211/60.1
4,244,542	A *	1/1981	Mathews	248/49
4,601,447	A *	7/1986	McFarland	248/49
4,618,114	A *	10/1986	McFarland	248/65
5,230,190	A *	7/1993	Schuette	52/220.1
6,053,456	A *	4/2000	Dispenza	248/56
6,619,596	B1 *	9/2003	Caine et al.	248/49
6,715,247	B1 *	4/2004	Sanfleben et al.	52/220.8
6,902,138	B2 *	6/2005	Vantouroux	248/68.1
7,281,356	B2 *	10/2007	Sanfleben et al.	52/220.8
7,425,028	B1 *	9/2008	Angel et al.	294/16
7,434,771	B1 *	10/2008	Tai	248/49
2009/0193731	A1 *	8/2009	Fabinski	52/223.13

\* cited by examiner

*Primary Examiner* — Susan Bennett Hattan

(74) *Attorney, Agent, or Firm* — Kilpatrick Townsend & Stockton LLP

(57) **CLAIM**

The ornamental design for a modular grid, as shown and described.

**DESCRIPTION**

FIG. 1 is a front perspective view of a modular grid, showing our new design.

FIG. 2 is a left side elevation view of the modular grid of FIG. 1.

FIG. 3 is a right side elevation view of the modular grid of FIG. 1.

FIG. 4 is a front elevation view of the modular grid of FIG. 1.

FIG. 5 is a rear elevation view of the modular grid of FIG. 1.

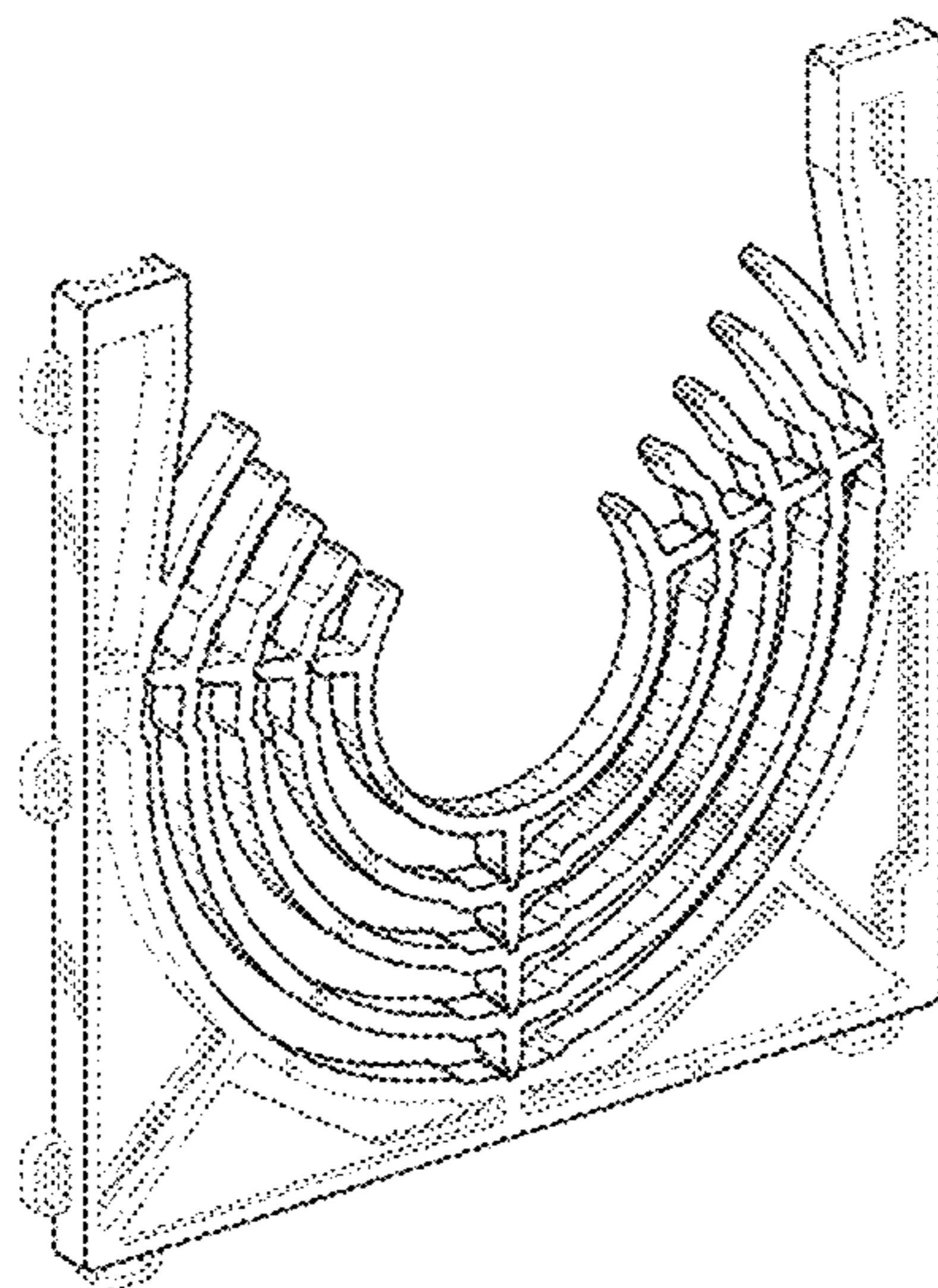
FIG. 6 is a top plan view of the modular grid of FIG. 1.

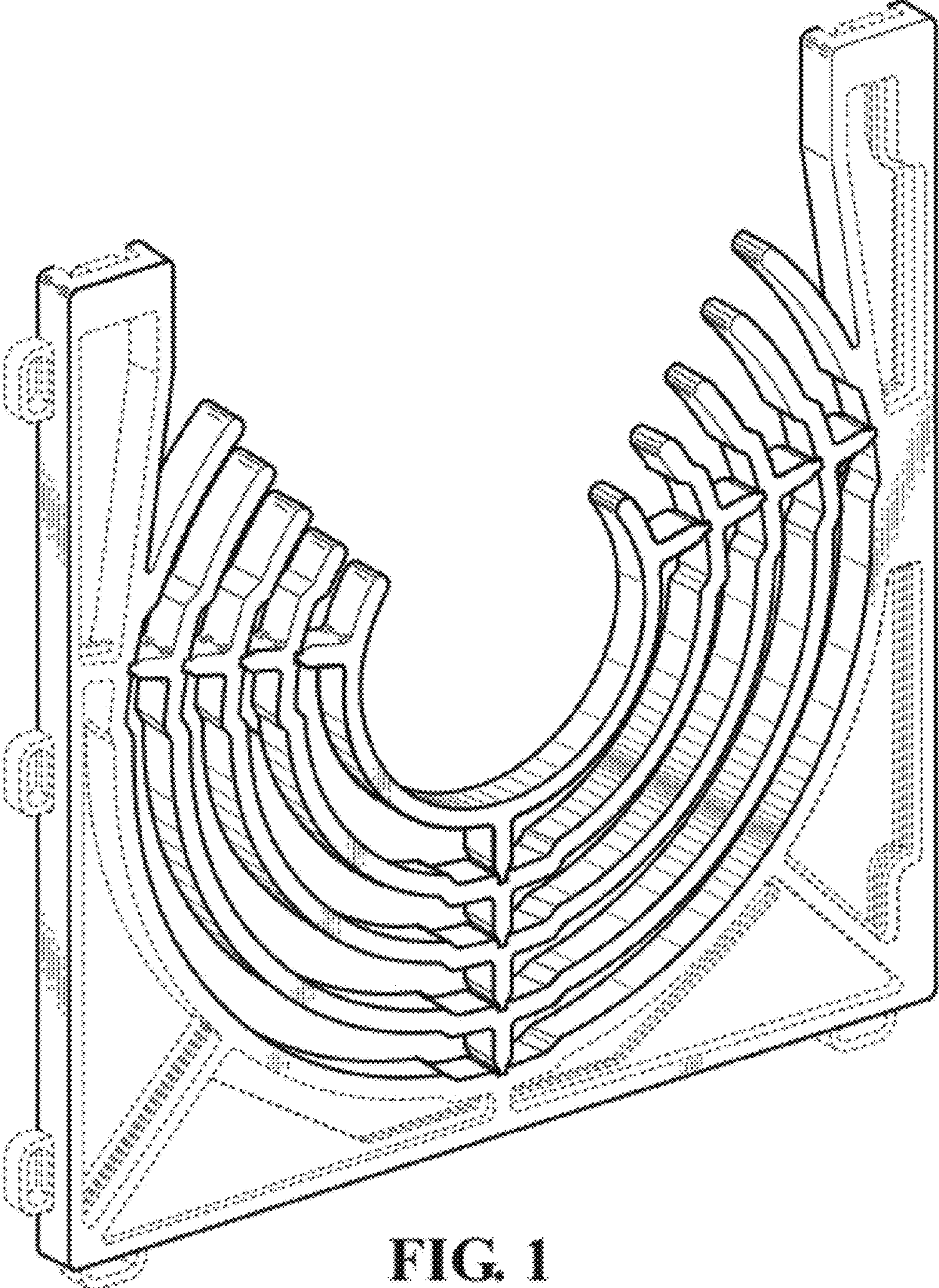
FIG. 7 is a bottom plan view of the modular grid of FIG. 1; and,

FIG. 8 is a front perspective view of the modular grid of FIG. 1, showing other modular grids and an upper bar used with the modular grid.

The broken lines in the drawings form no part of the claimed design.

**1 Claim, 5 Drawing Sheets**





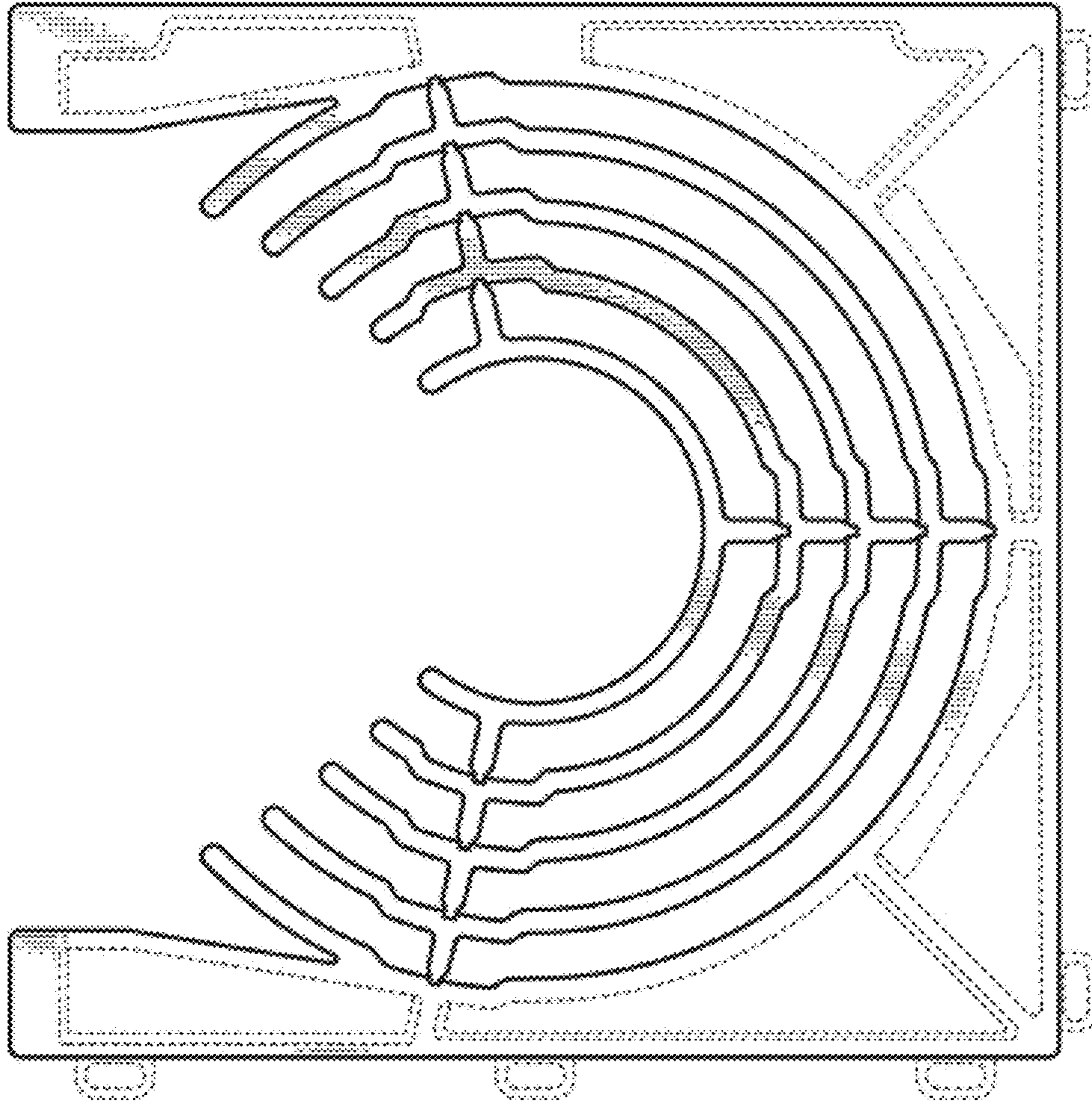


FIG. 4

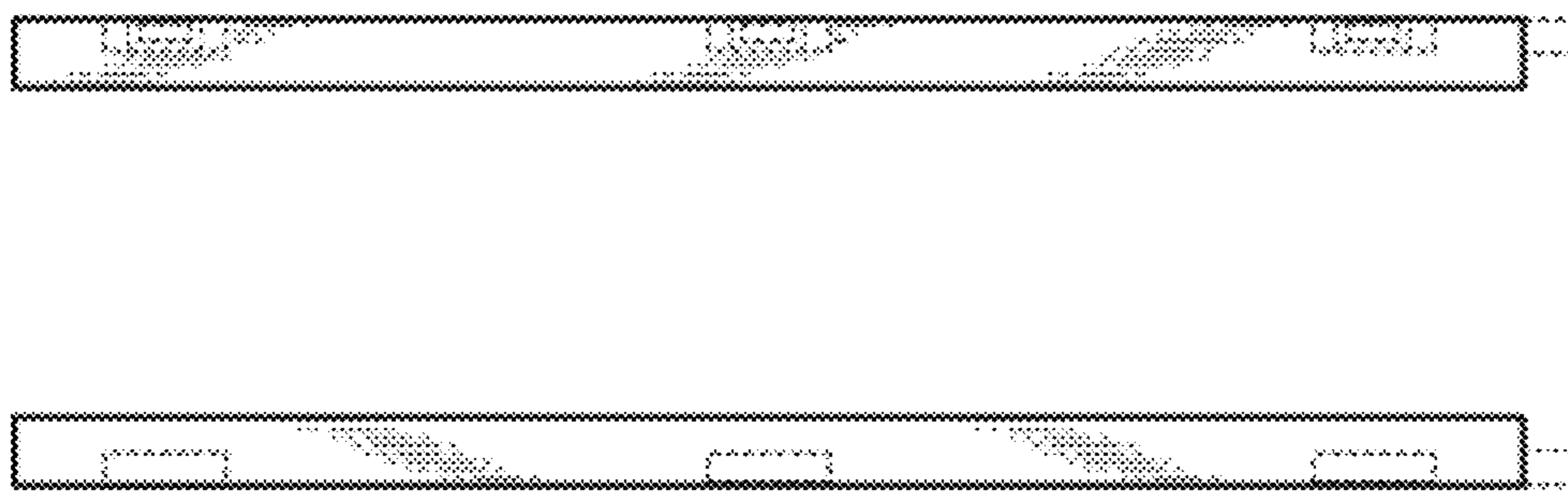


FIG. 2 FIG. 3

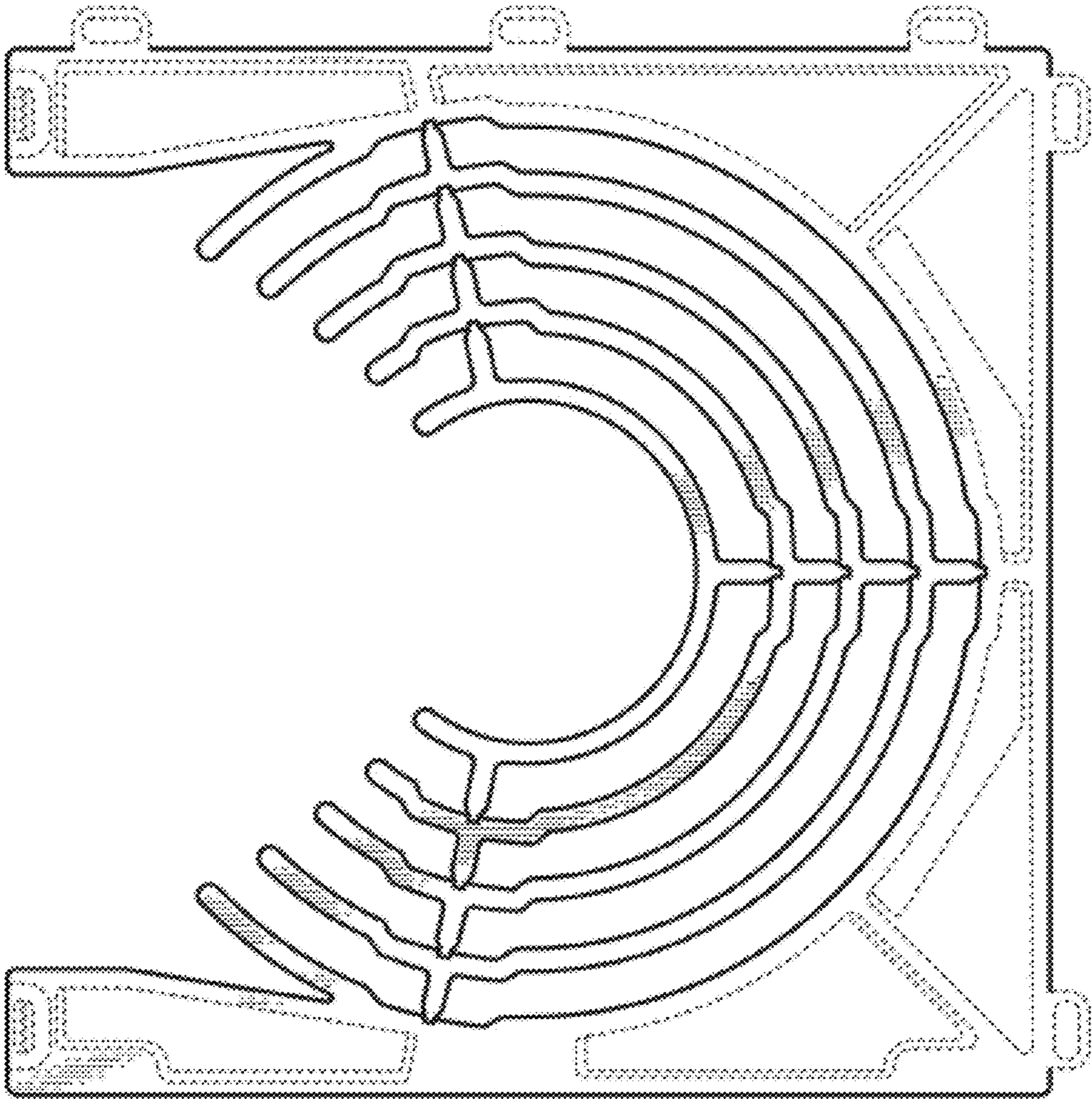
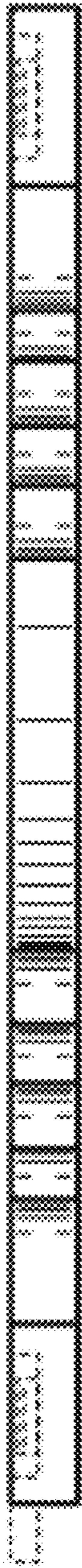
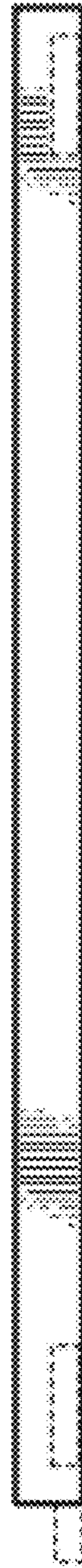


FIG. 5



**FIG. 6**



**FIG. 7**

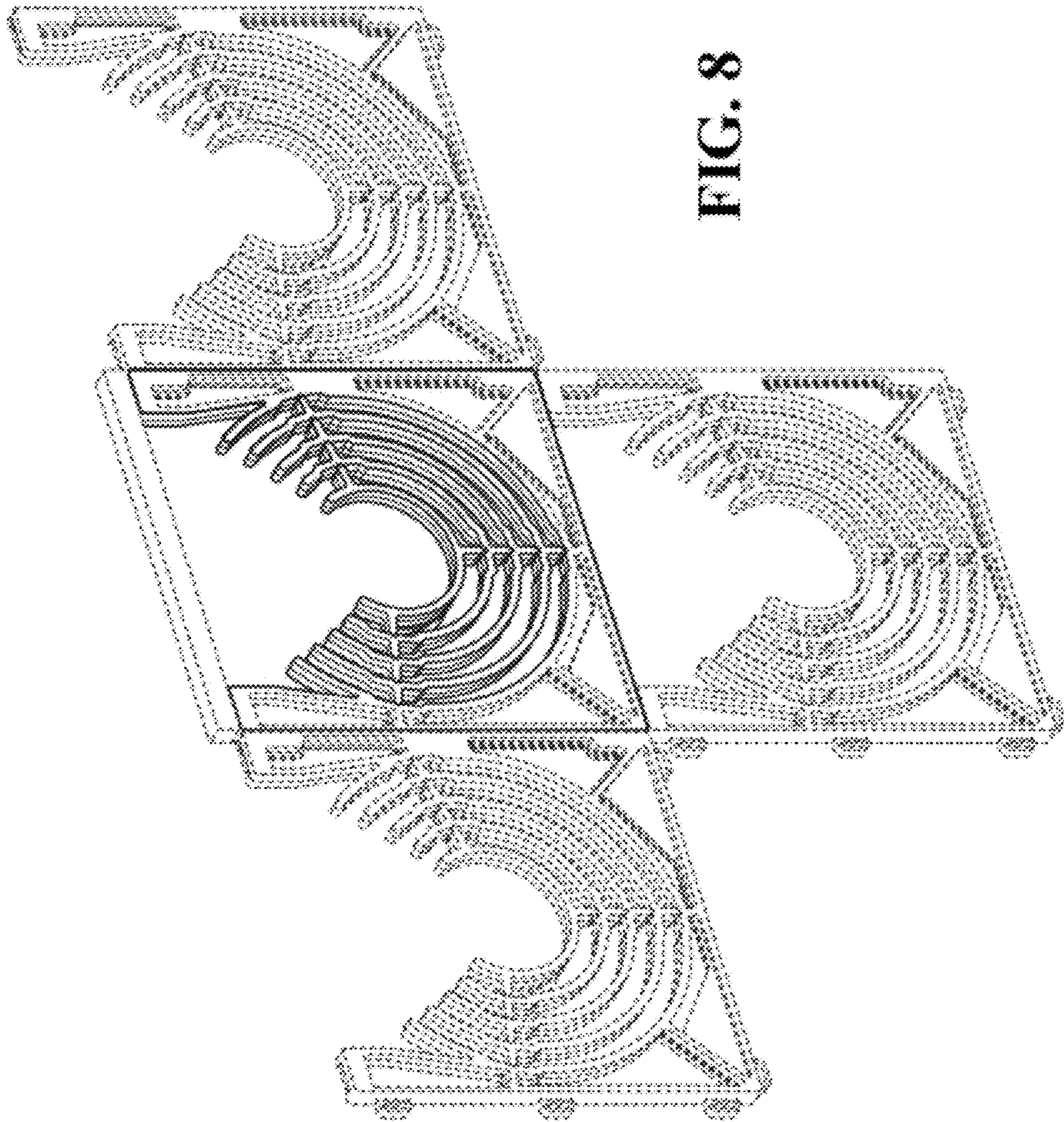


FIG. 8