



US00D666479S

(12) **United States Design Patent**
Carpinella et al.

(10) **Patent No.:** **US D666,479 S**
(45) **Date of Patent:** **** Sep. 4, 2012**

(54) **FURNITURE GLIDE SYSTEM HAVING INTERCHANGEABLE BASES**

(75) Inventors: **Ralph Carpinella**, Woodbury, CT (US);
Robert Dombroski, Waterbury, CT (US); **David Ferraro**, Cheshire, CT (US)

(73) Assignee: **Carpin Manufacturing, Inc.**,
Waterbury, CT (US)

(**) Term: **14 Years**

(21) Appl. No.: **29/374,803**

(22) Filed: **Oct. 7, 2011**

(51) **LOC (9) Cl.** **08-05**

(52) **U.S. Cl.** **D8/374**

(58) **Field of Classification Search** D8/374;
248/677-678, 188.8-188.9, 188, 1, 346.01-346.02,
248/346.05-346.06, 346.11; 16/42 R, 42 T,
16/39

See application file for complete search history.

(56) **References Cited**

U.S. PATENT DOCUMENTS

2,637,063	A *	5/1953	Becker	16/42 R
2,640,219	A *	6/1953	Becker	16/42 R
2,973,545	A *	3/1961	Kramcsak, Jr.	16/42 R

(Continued)

Primary Examiner — Holly Baynham

(74) *Attorney, Agent, or Firm* — Alix, Yale & Ristas, LLP

(57) **CLAIM**

The ornamental design for a furniture glide system having interchangeable bases, as shown and described.

DESCRIPTION

FIG. 1 is a front elevation view of a furniture glide system with an interchangeable steel base, showing our new design;

FIG. 2 is a top plan view of the furniture glide system with interchangeable steel base of FIG. 1;

FIG. 3 is a bottom perspective view of the furniture glide system with interchangeable steel base of FIG. 1;

FIG. 4 is a side elevation view of the furniture glide system with interchangeable steel base of FIG. 1;

FIG. 5 is a top perspective view of the interchangeable steel base of FIG. 1;

FIG. 6 is a top perspective view of an interchangeable nylon base having a flat bottom surface;

FIG. 7 is a front elevation view of the interchangeable nylon base of FIG. 6;

FIG. 8 is a side elevation view of the interchangeable nylon base of FIG. 6;

FIG. 9 is a bottom perspective view of the nylon base of FIG. 6;

FIG. 10 is a top perspective view of an interchangeable felt base;

FIG. 11 is a front elevation view of the interchangeable felt base of FIG. 10;

FIG. 12 is a side elevation view of the interchangeable felt base of FIG. 10;

FIG. 13 is a bottom perspective view of the interchangeable felt base of FIG. 10;

FIG. 14 is a top perspective view shown from the top of an interchangeable nylon base having a recessed bottom surface;

FIG. 15 is a front elevation view of the interchangeable nylon base of FIG. 14;

FIG. 16 is a side elevation view of the interchangeable nylon base of FIG. 14;

FIG. 17 is a bottom perspective view of the interchangeable nylon base of FIG. 14;

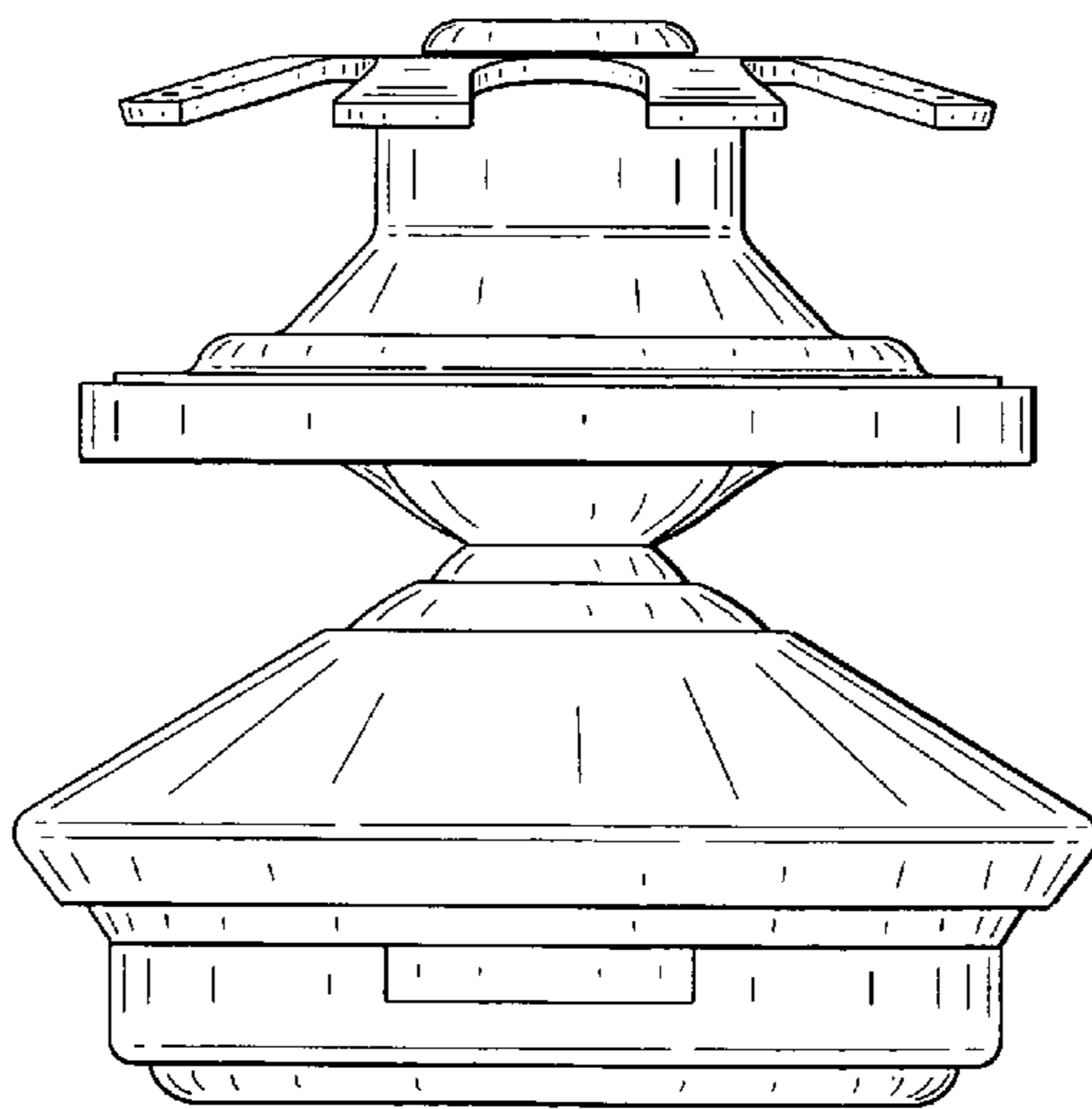
FIG. 18 is a top perspective view of an interchangeable rubber base;

FIG. 19 is a front elevation view of the interchangeable rubber base of FIG. 18;

FIG. 20 is a side elevation view of the interchangeable rubber base of FIG. 18; and,

FIG. 21 is a bottom perspective view of the interchangeable rubber base of FIG. 18.

1 Claim, 8 Drawing Sheets



US D666,479 S

Page 2

U.S. PATENT DOCUMENTS

3,021,551	A *	2/1962	Kramcsak, Jr.	16/42 R	3,389,421	A *	6/1968	Wheeler	16/42 R
3,025,631	A *	3/1962	Reynolds	248/188.9	6,219,882	B1 *	4/2001	Olson	16/42 R
3,166,782	A *	1/1965	Miller	16/42 R	6,626,405	B1 *	9/2003	Keast et al.	248/188.9

* cited by examiner

FIG. 1

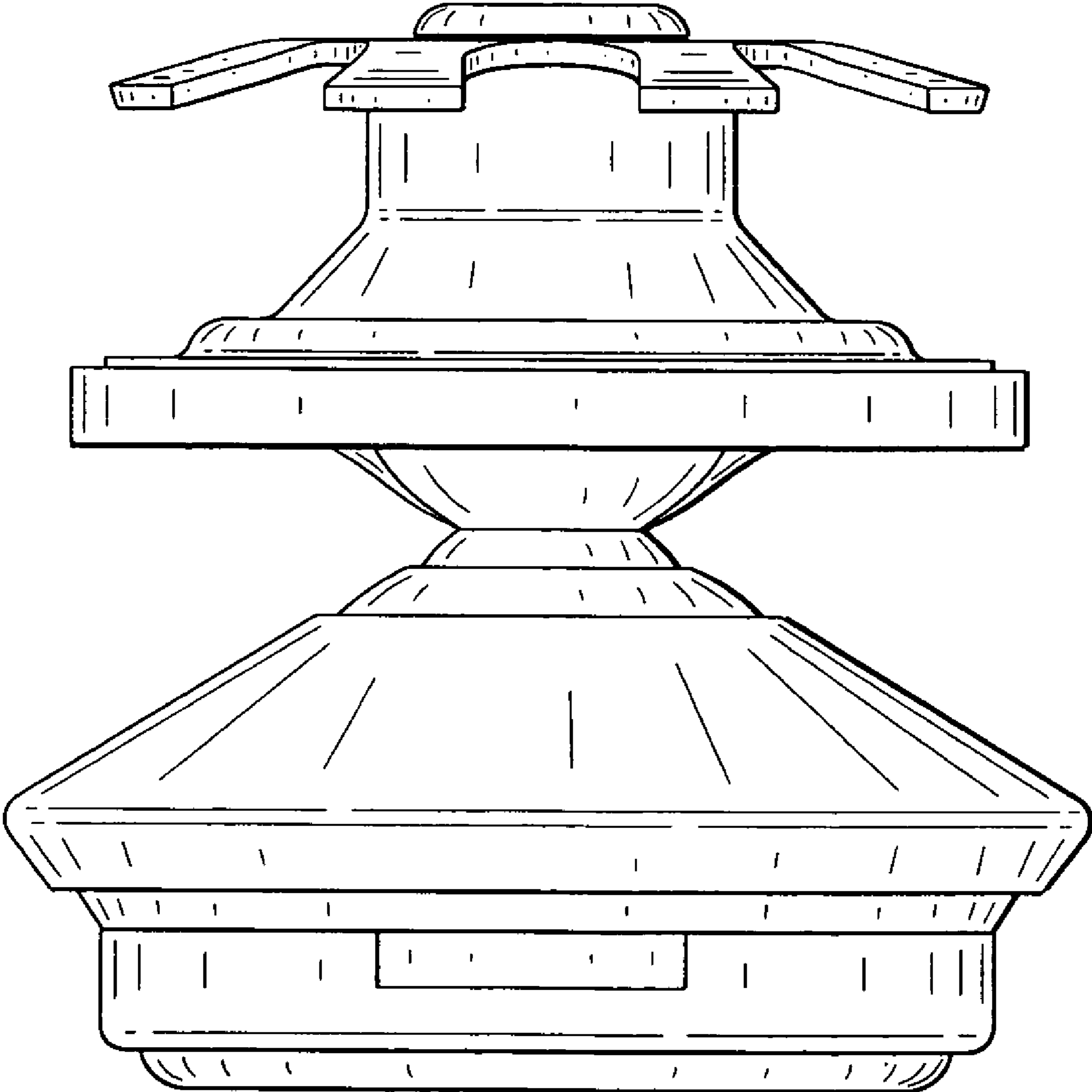


FIG. 2

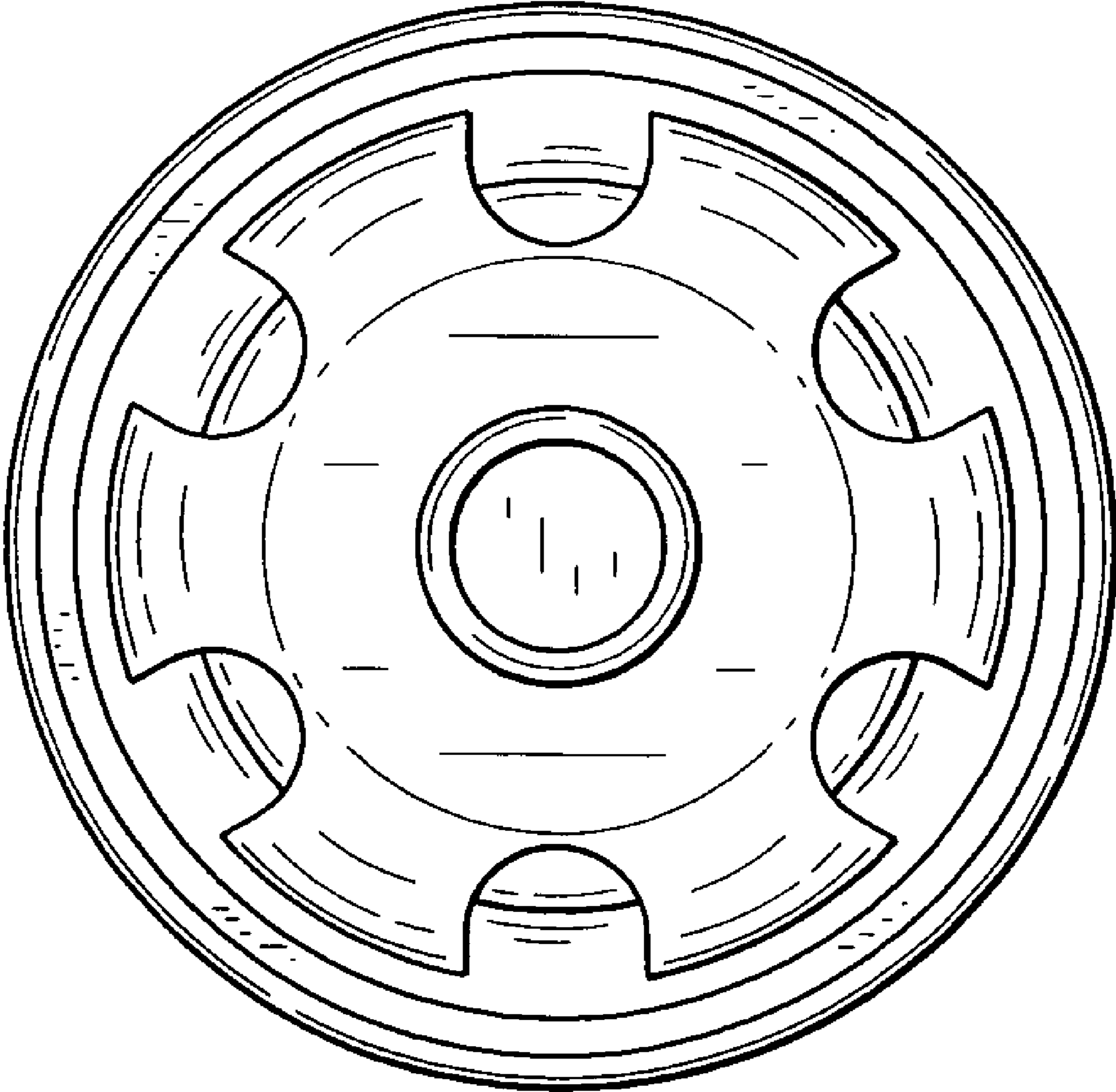


FIG. 3

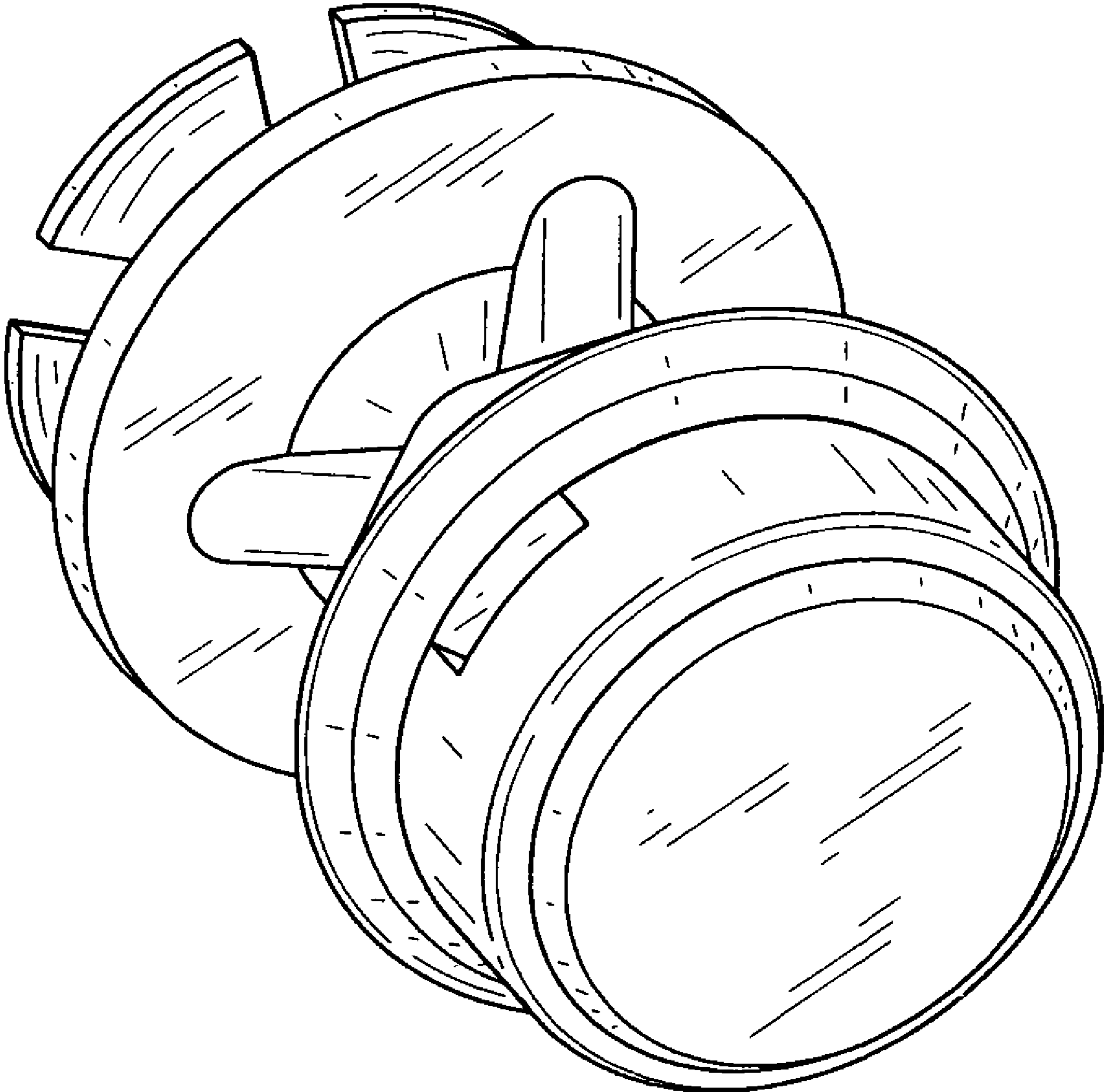


FIG. 4

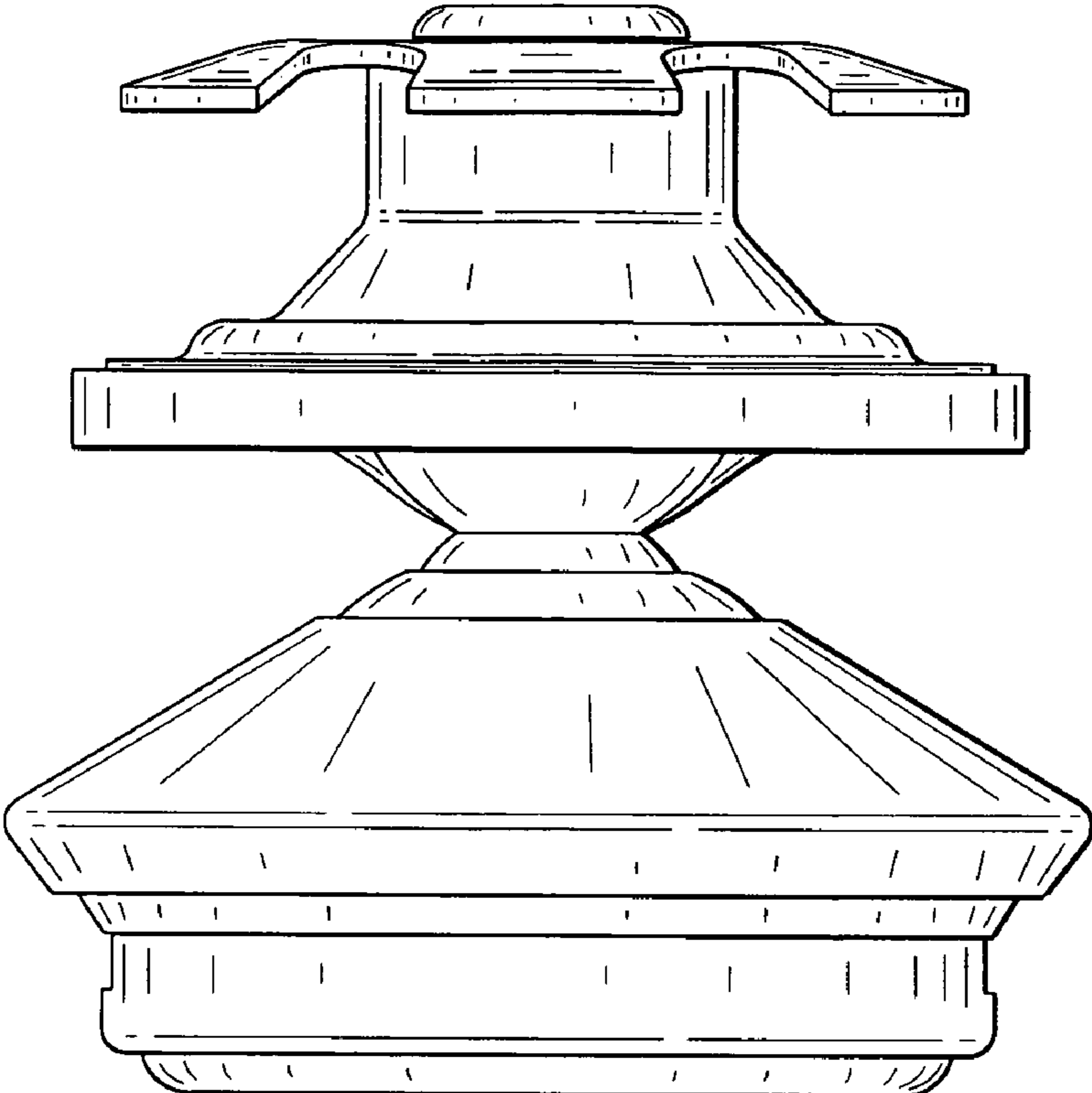


FIG. 5

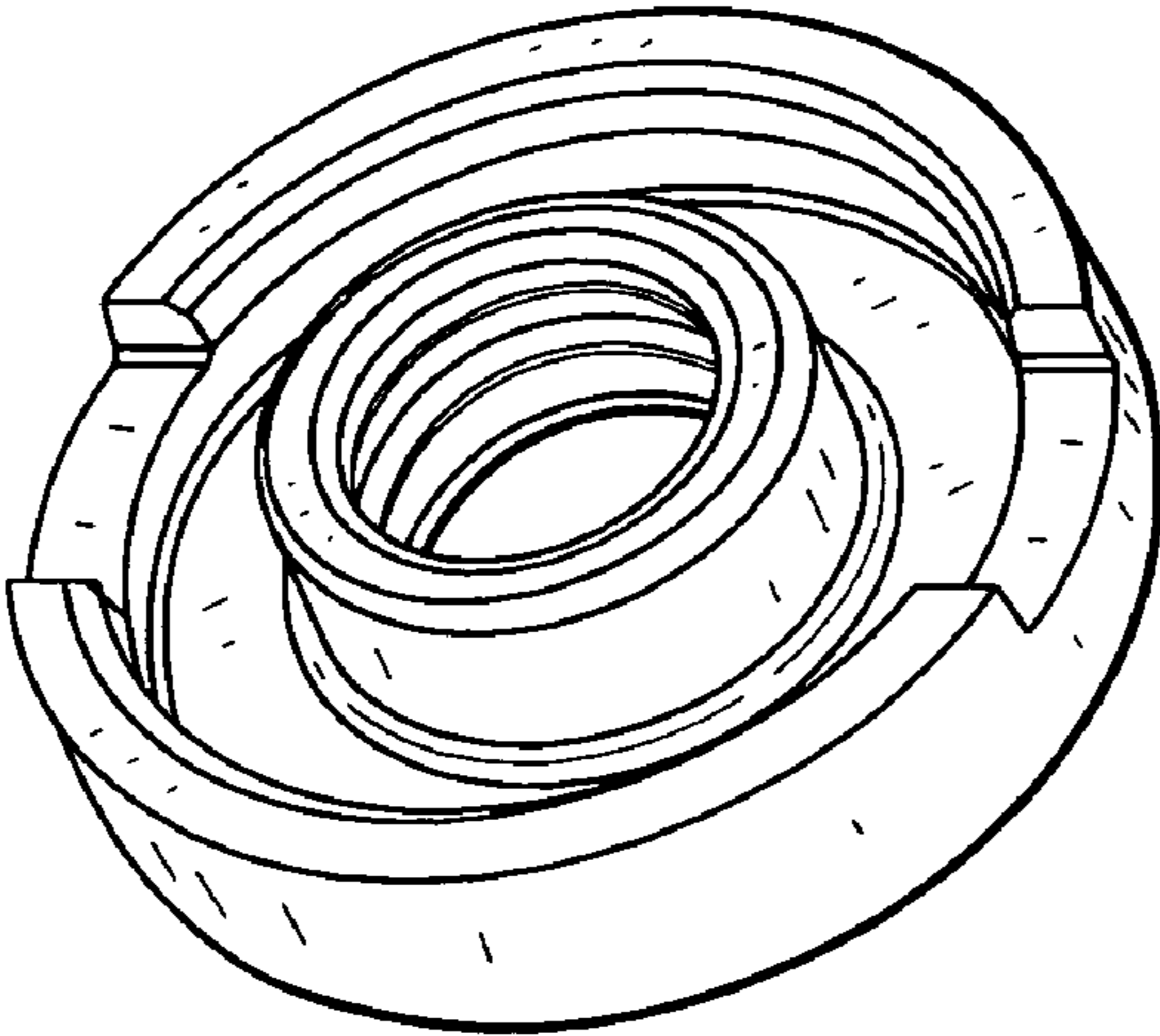


FIG. 6

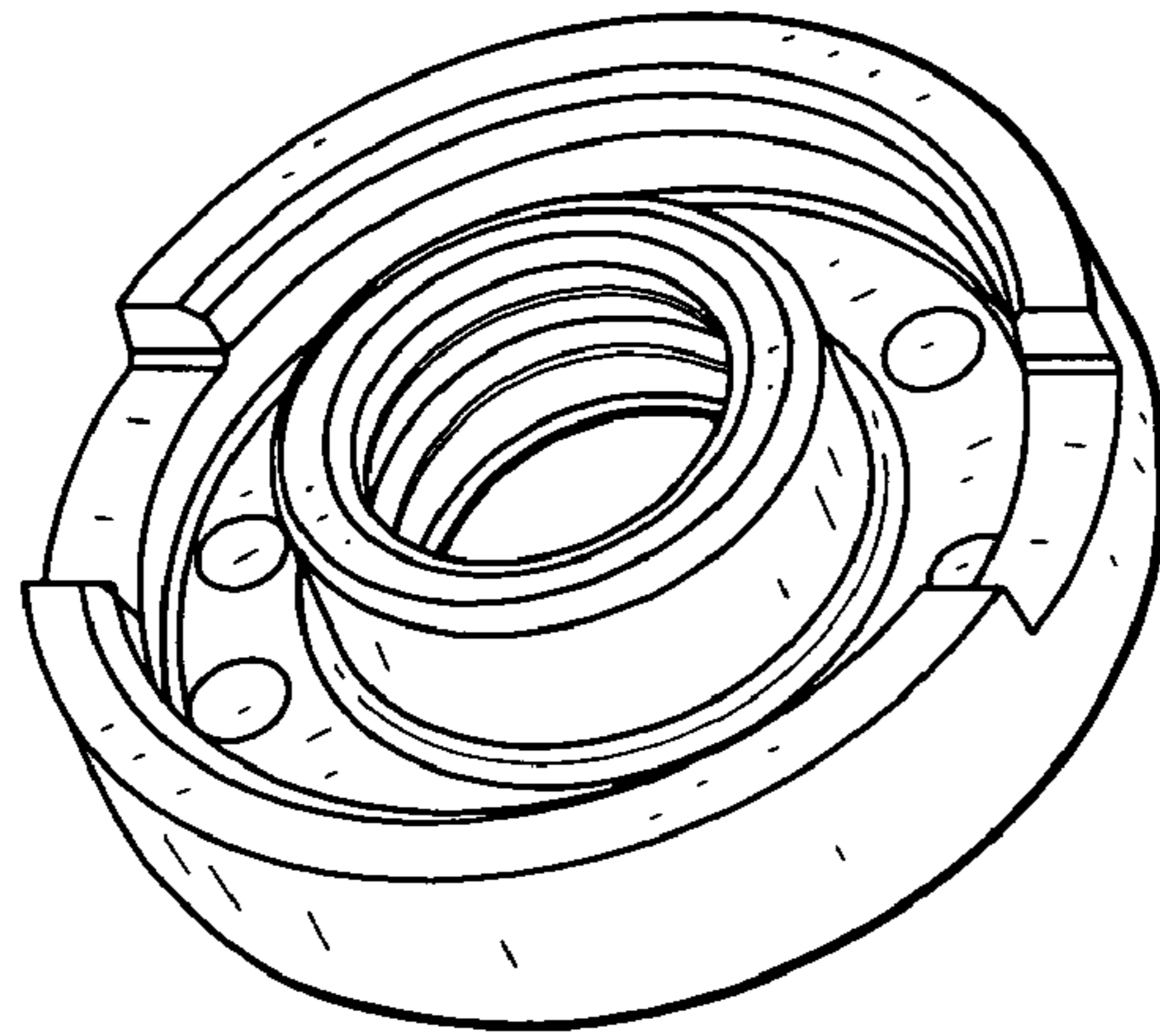


FIG. 7

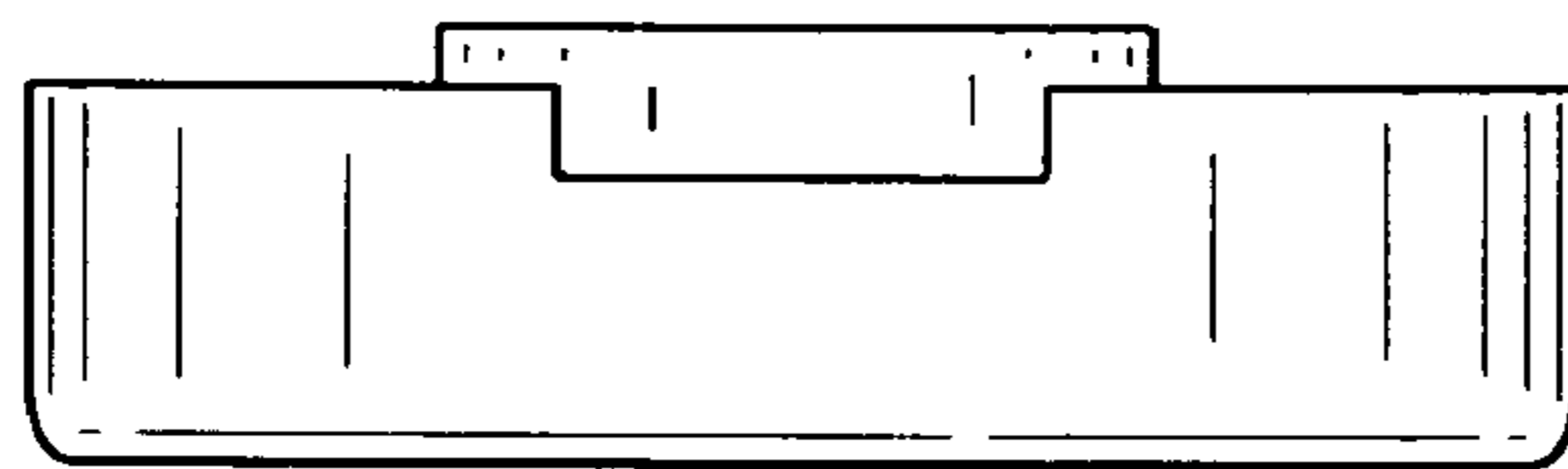


FIG. 8

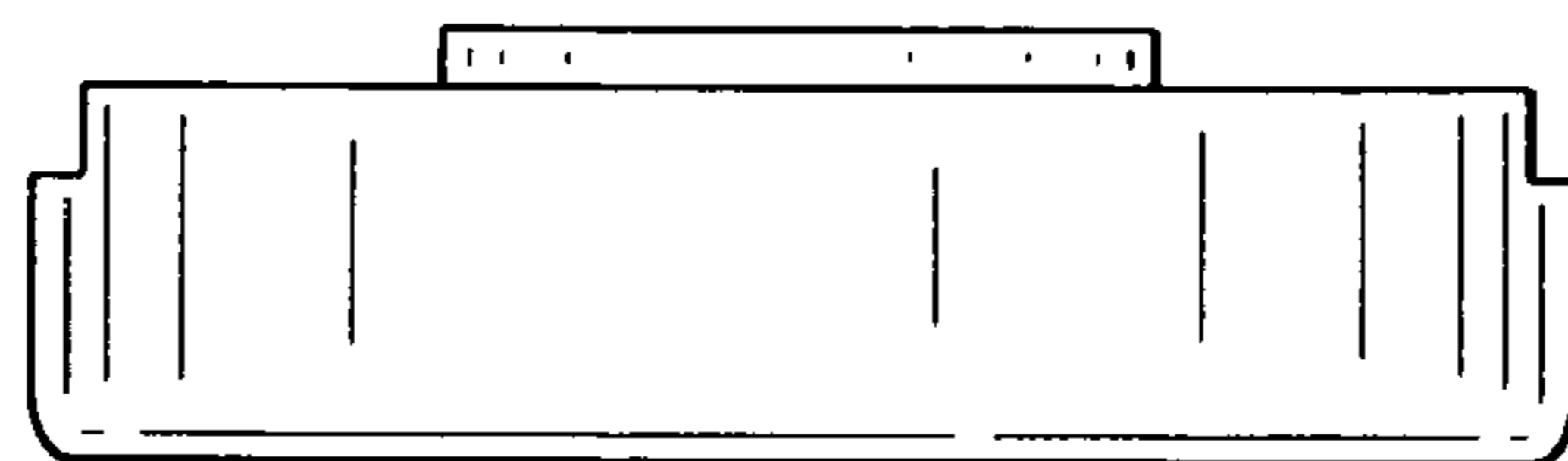


FIG. 9

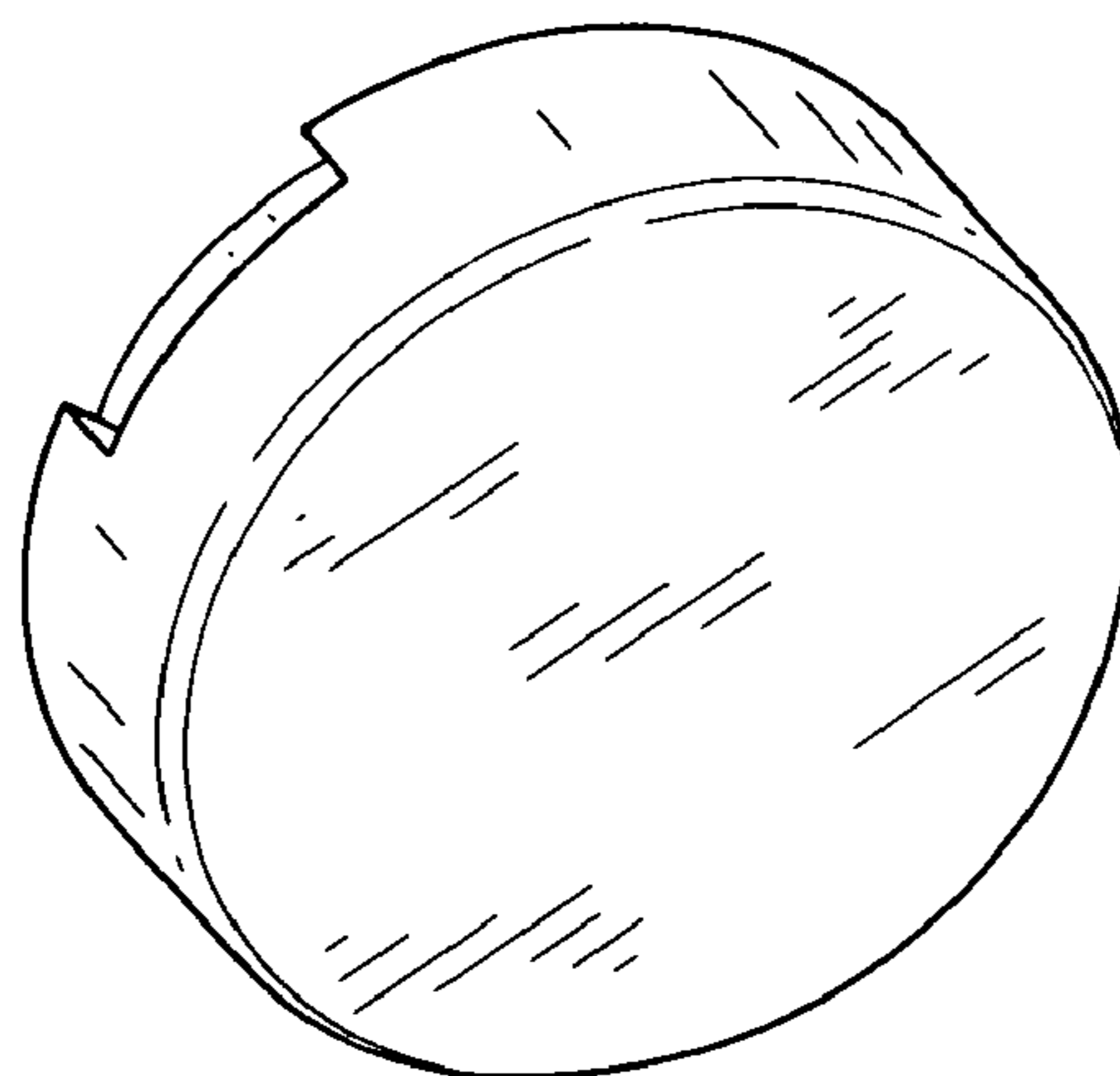


FIG. 10

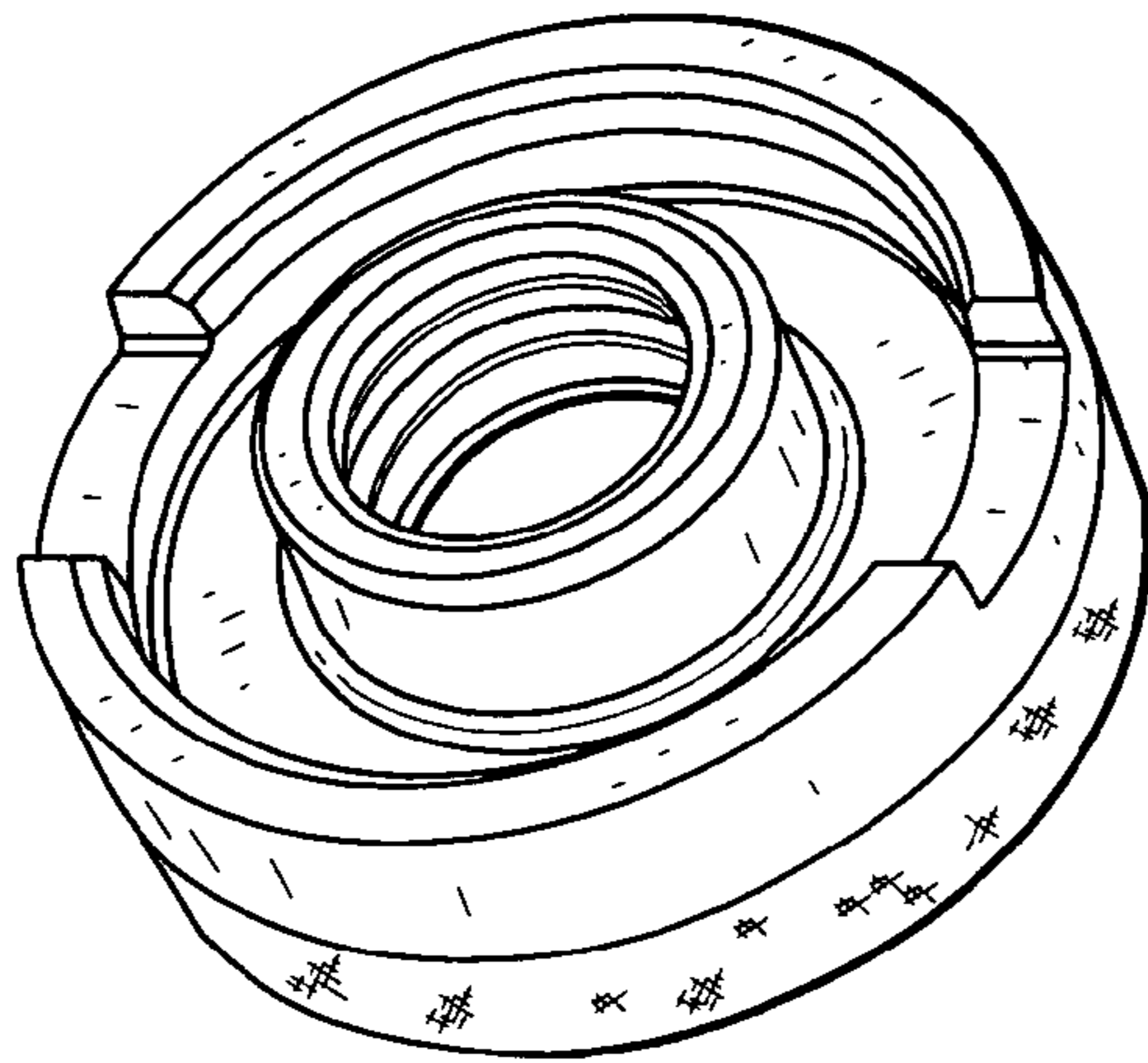


FIG. 11

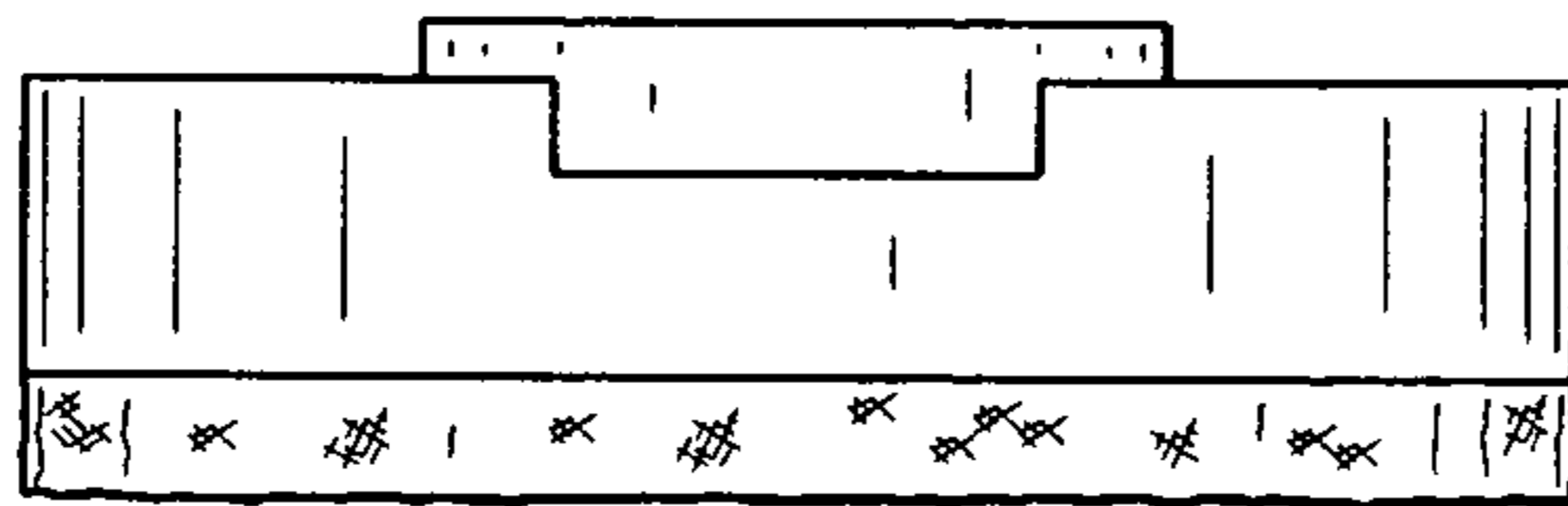


FIG. 12

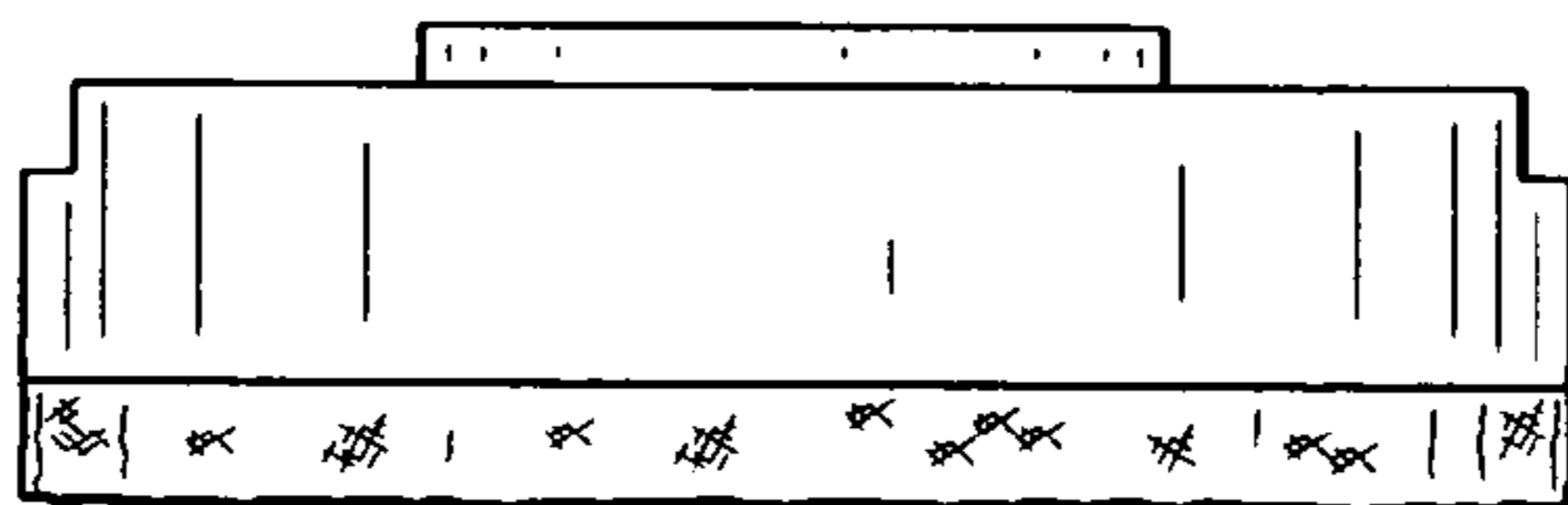


FIG. 13

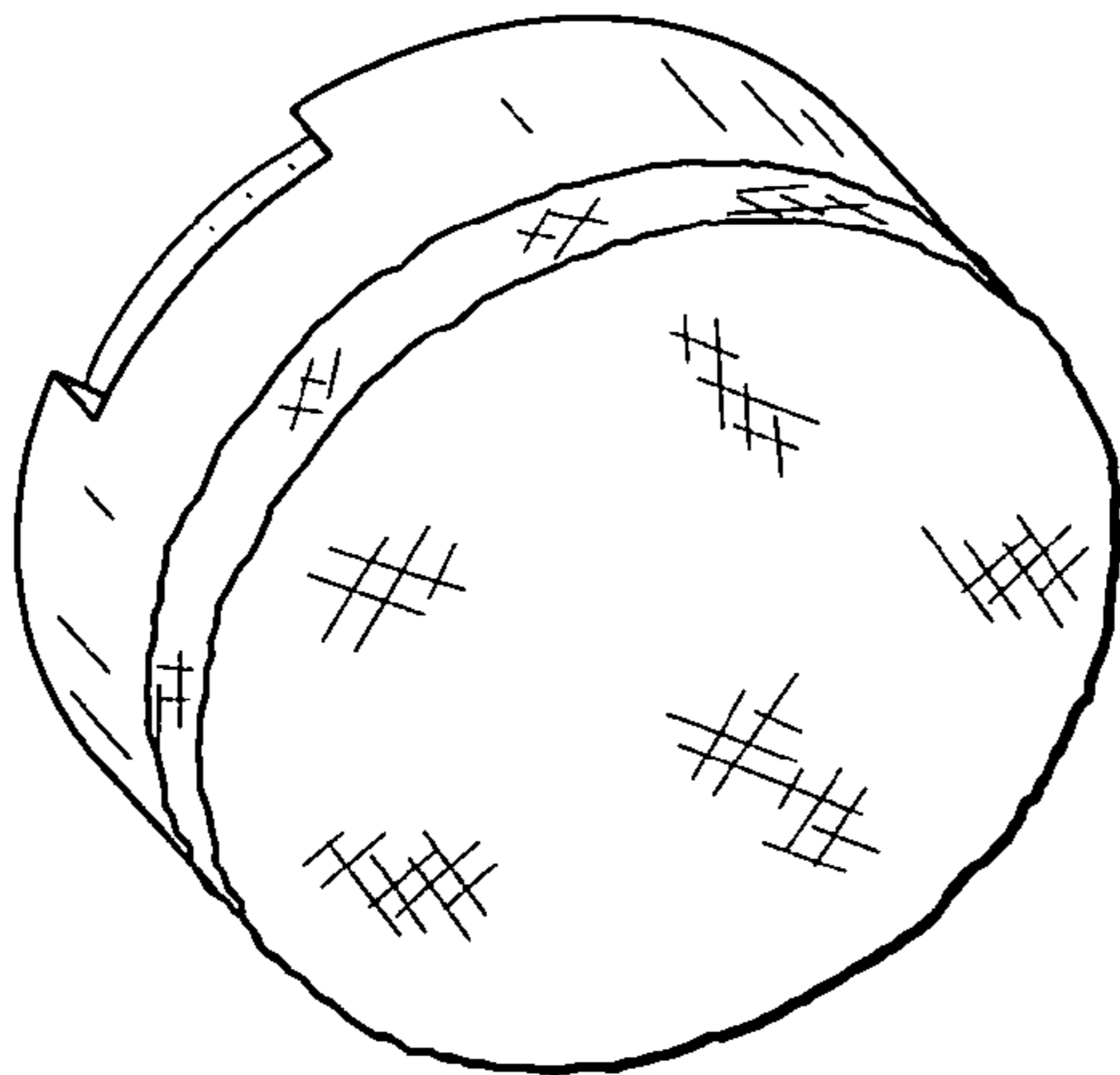


FIG. 14

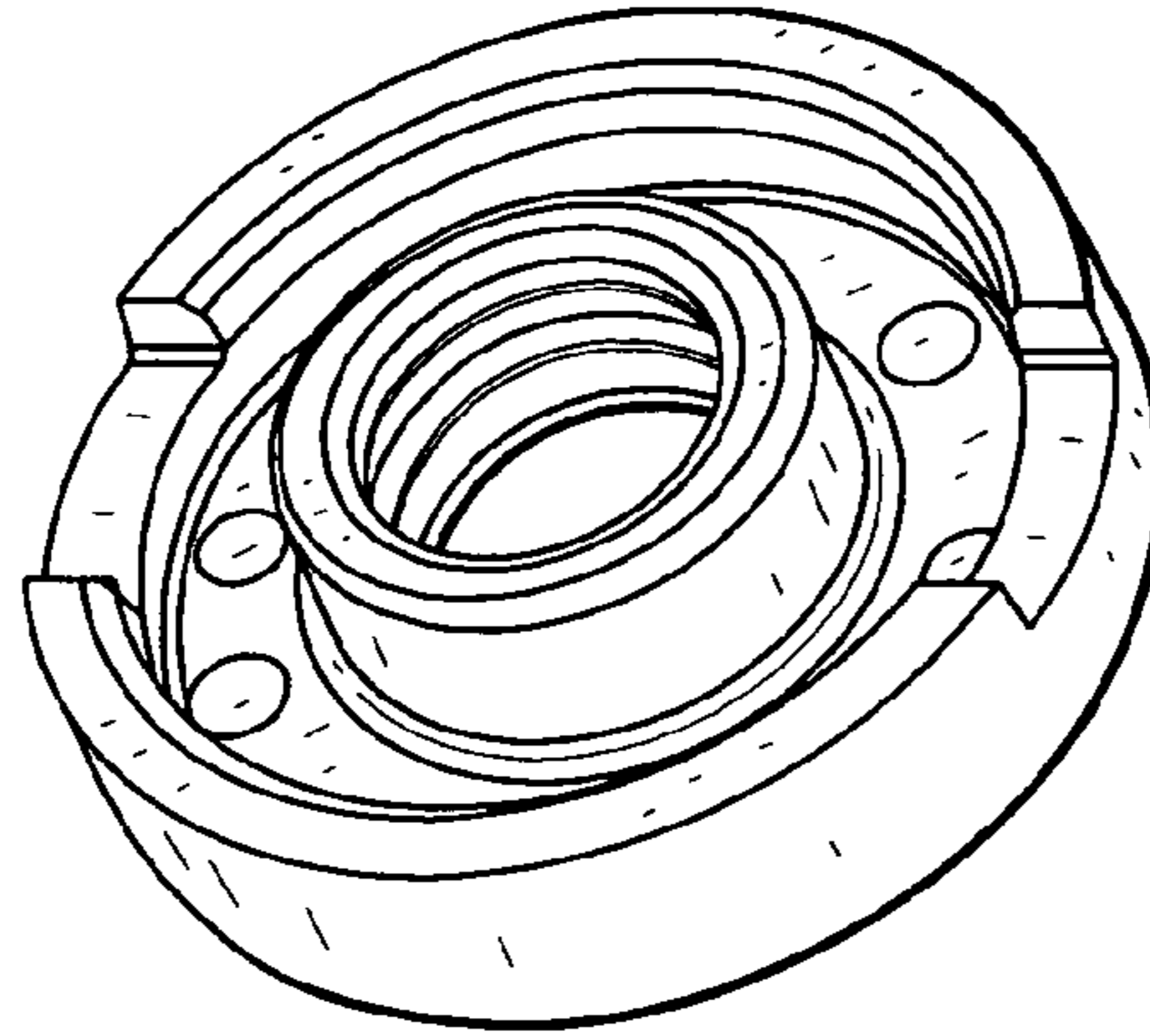


FIG. 15

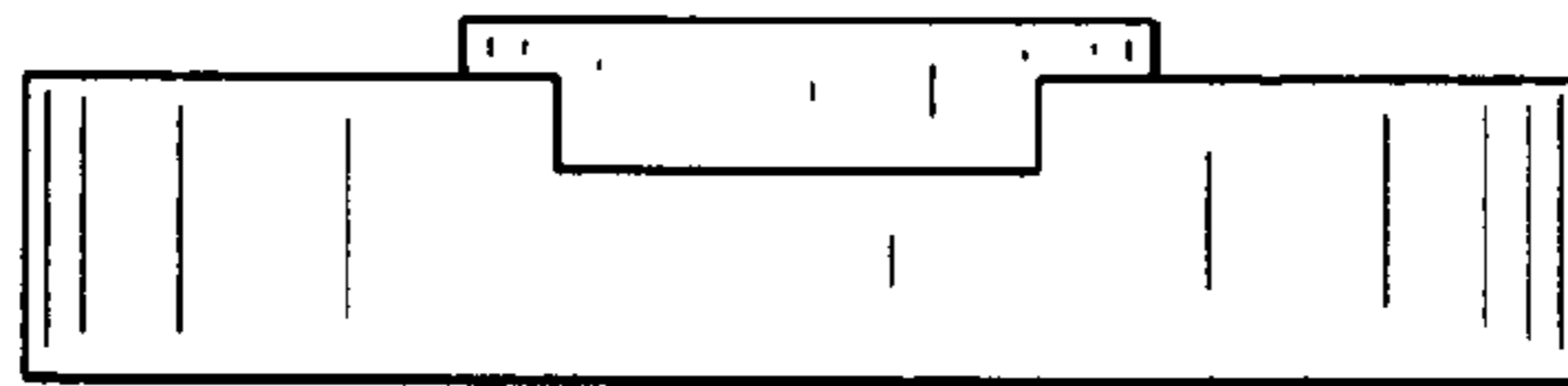


FIG. 16

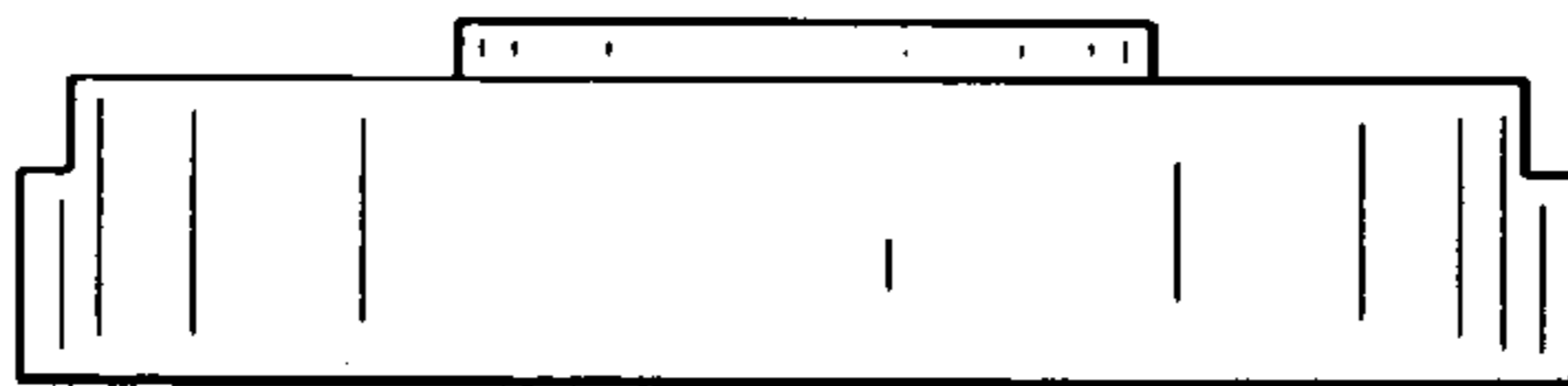


FIG. 17

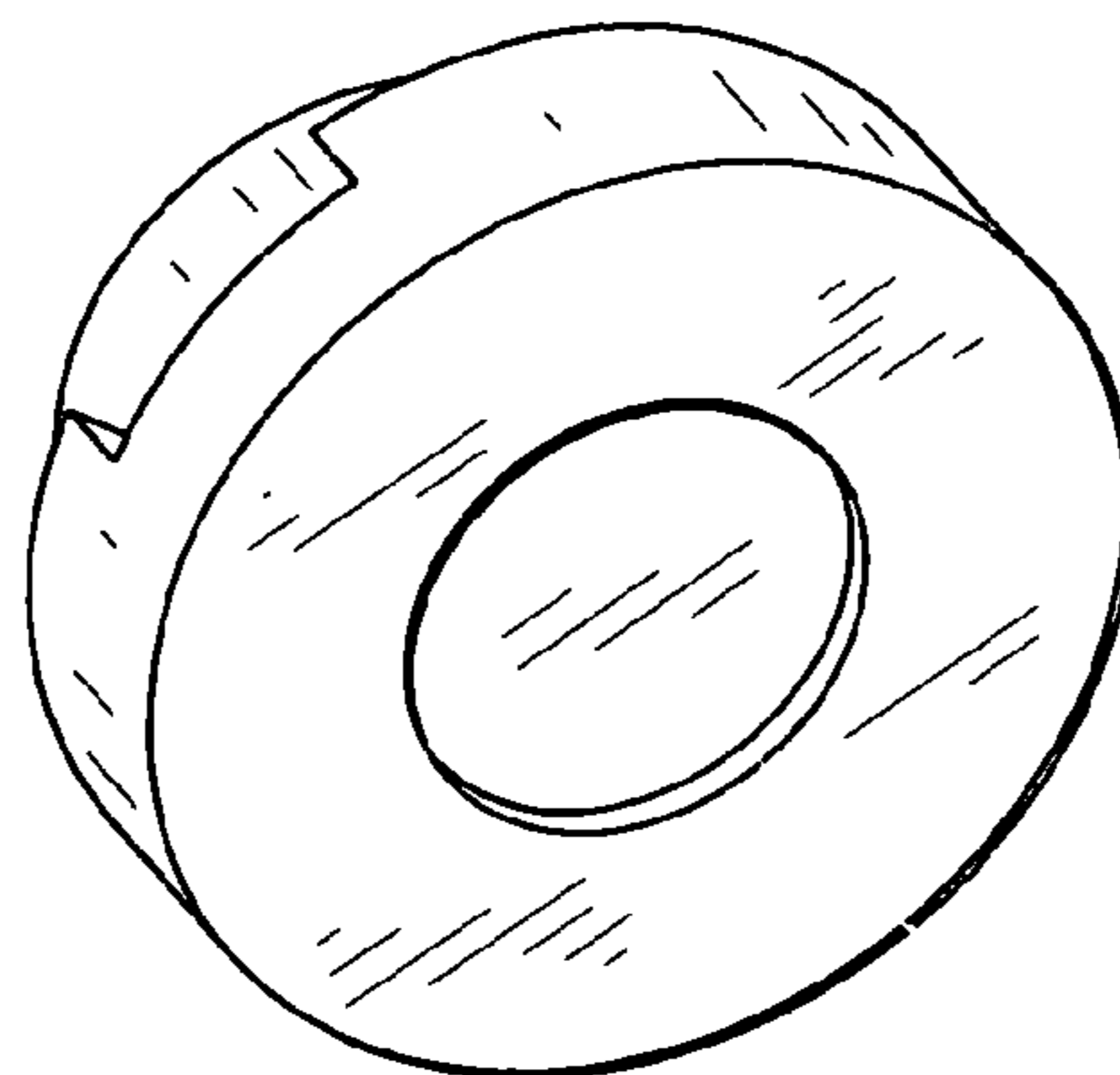


FIG. 18

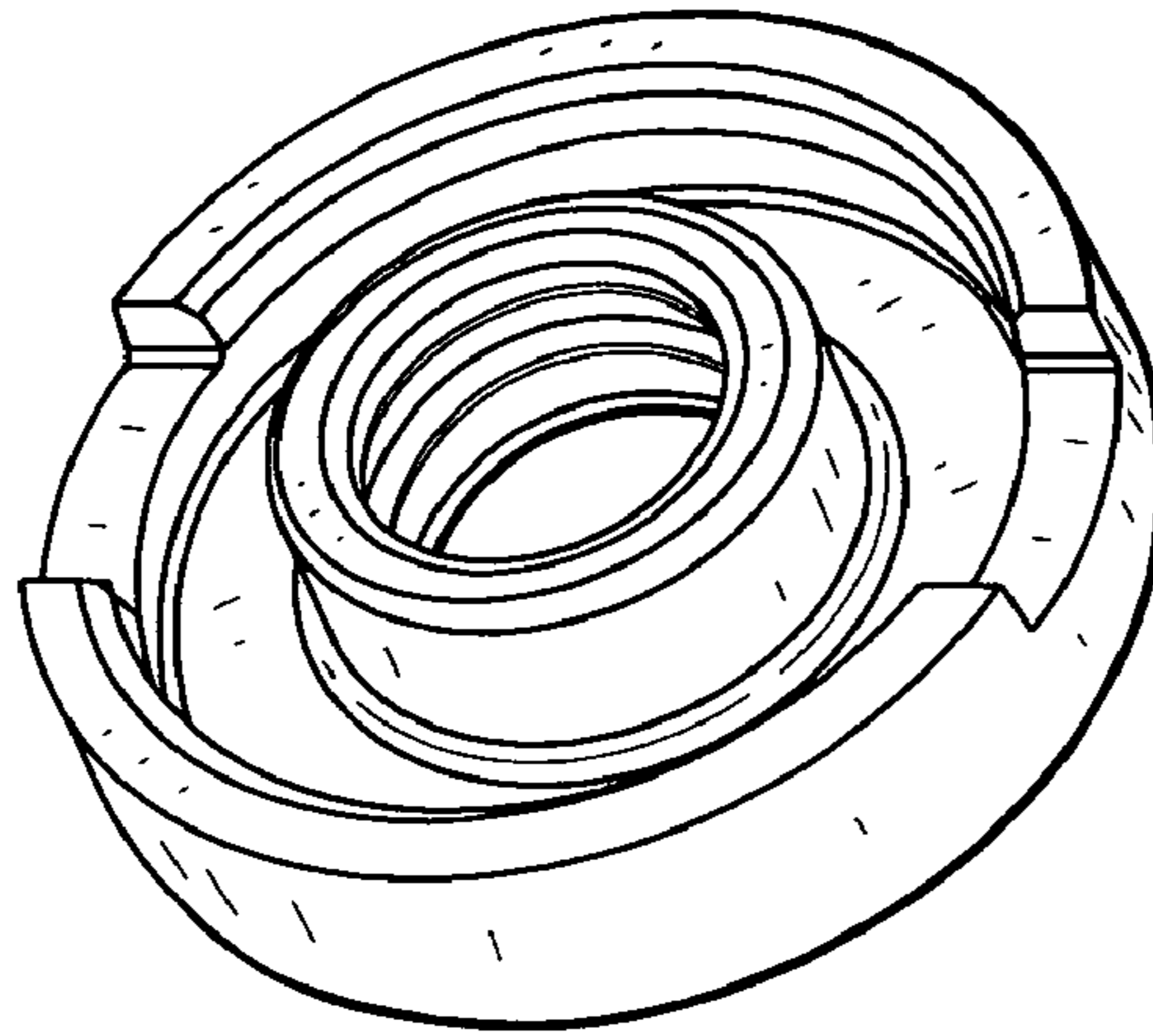


FIG. 19

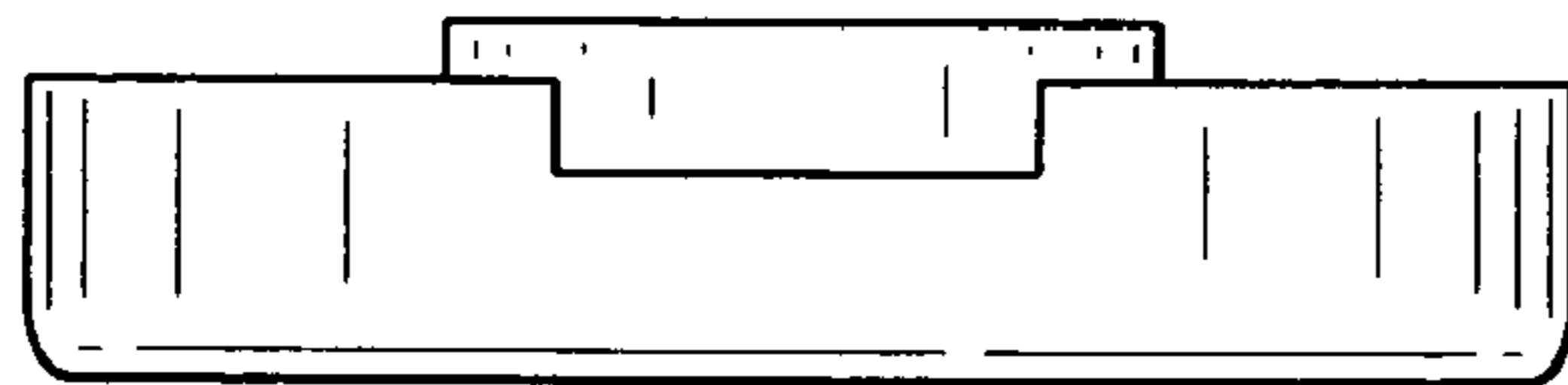


FIG. 20

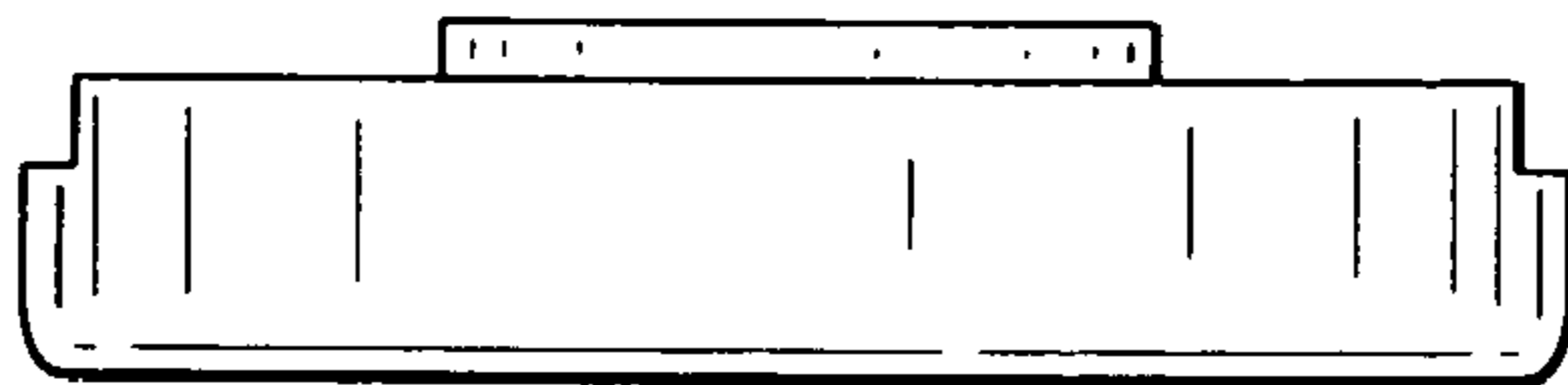


FIG. 21

