



US00D666478S

(12) **United States Design Patent**  
**Chou**

(10) **Patent No.:** **US D666,478 S**  
(45) **Date of Patent:** **\*\* Sep. 4, 2012**

(54) **BRACKET FOR DECORATIVE FRAME FOR A WINDOW CURTAIN RAIL**

*Primary Examiner* — Holly Baynham

(74) *Attorney, Agent, or Firm* — Ming Chow; Sinorica, LLC

(76) Inventor: **Tser Wen Chou**, Taipei (TW)

(\*\*) Term: **14 Years**

(21) Appl. No.: **29/405,998**

(22) Filed: **Nov. 9, 2011**

(51) **LOC (9) Cl.** ..... **08-05**

(52) **U.S. Cl.** ..... **D8/373; D8/363**

(58) **Field of Classification Search** ..... D8/363,  
D8/349, 354, 373; 248/300, 27.1, 233, 267,  
248/262, 309.1, 200, 205.1, 207, 209, 637,  
248/674

See application file for complete search history.

(56) **References Cited**

**U.S. PATENT DOCUMENTS**

2,902,243	A *	9/1959	Atwood	.....	248/263
3,199,823	A *	8/1965	Stall	.....	248/265
3,982,719	A *	9/1976	Kilborne	.....	248/489
5,176,347	A *	1/1993	Rouail	.....	248/206.2
6,357,713	B1 *	3/2002	BeBow	.....	248/300
D573,450	S *	7/2008	Cowie et al.	.....	D8/374
D582,259	S *	12/2008	DeBiasio, Jr.	.....	D8/363

\* cited by examiner

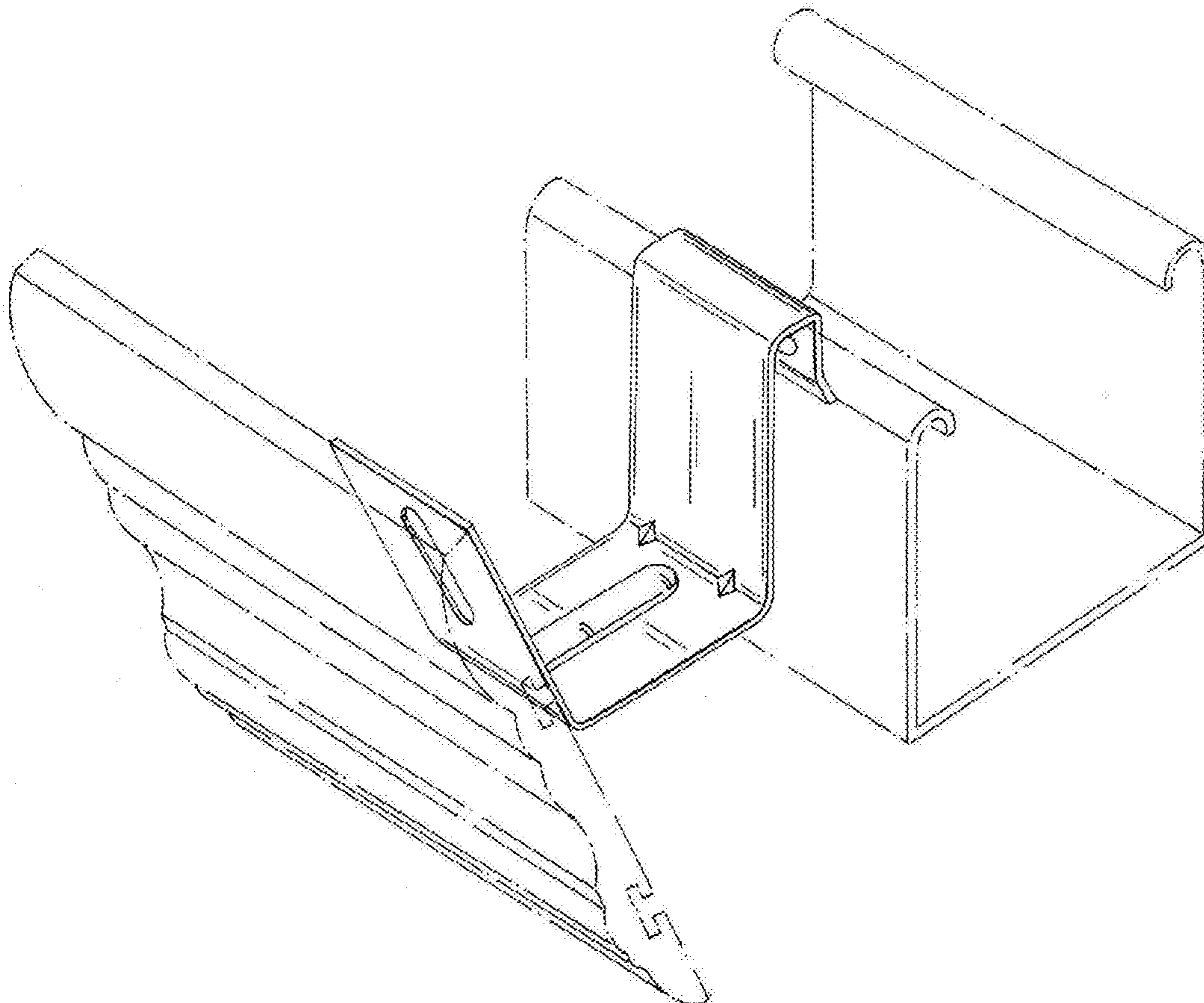
(57) **CLAIM**

The ornamental design for a bracket for decorative frame for a window curtain rail, as shown and described.

**DESCRIPTION**

FIG. 1 is a perspective view of a bracket for decorative frame for a window curtain rail;  
FIG. 2 is a front view thereof;  
FIG. 3 is a rear view thereof;  
FIG. 4 is a right side view thereof;  
FIG. 5 is a left side view thereof;  
FIG. 6 is a top view thereof;  
FIG. 7 is a bottom view thereof; and,  
FIG. 8 is an environmental, perspective view of the bracket with the broken line showing of mounting structure being for the purposes of illustrating environment and forming no part of the claimed design.

**1 Claim, 5 Drawing Sheets**



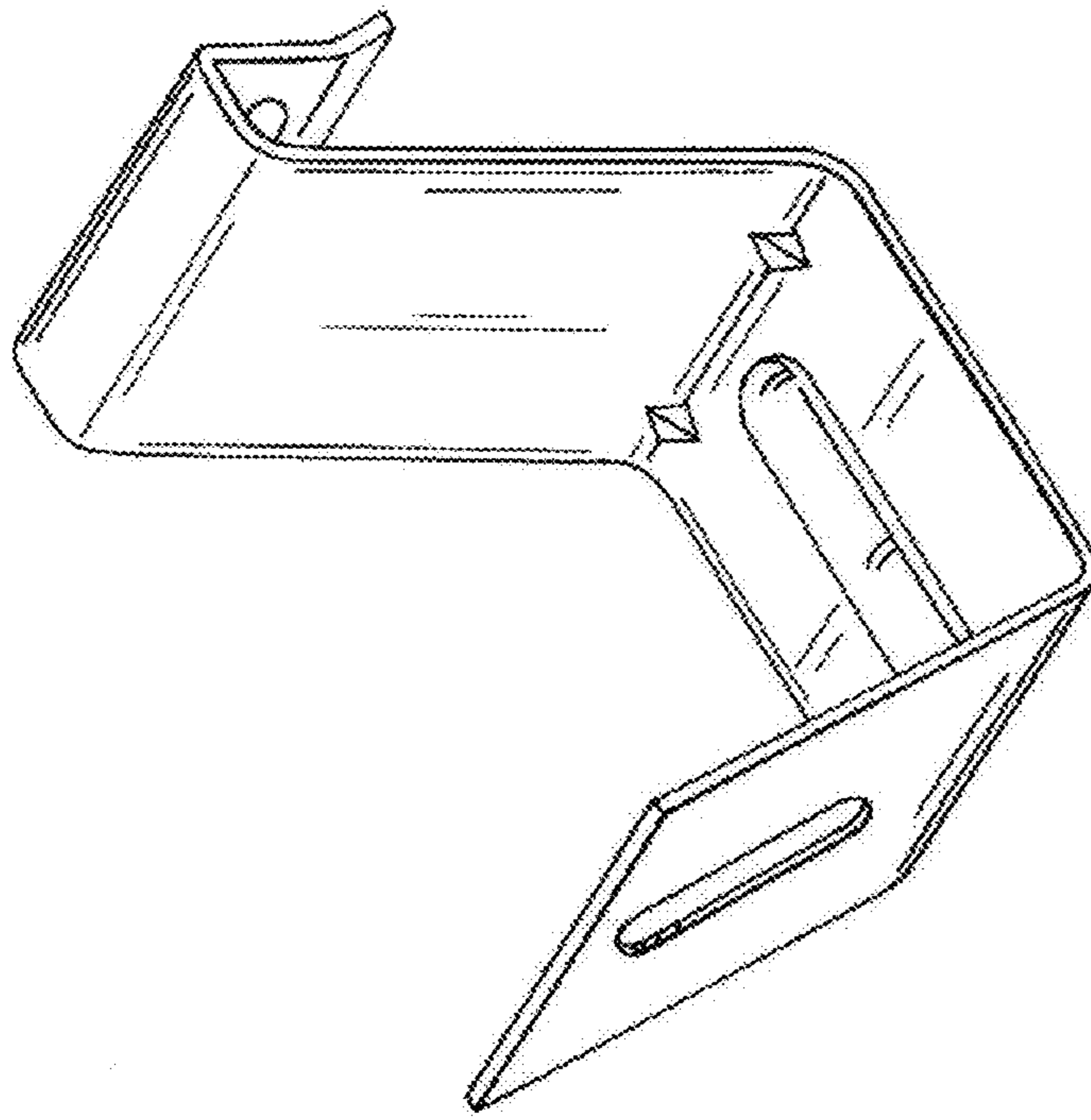


FIG 1

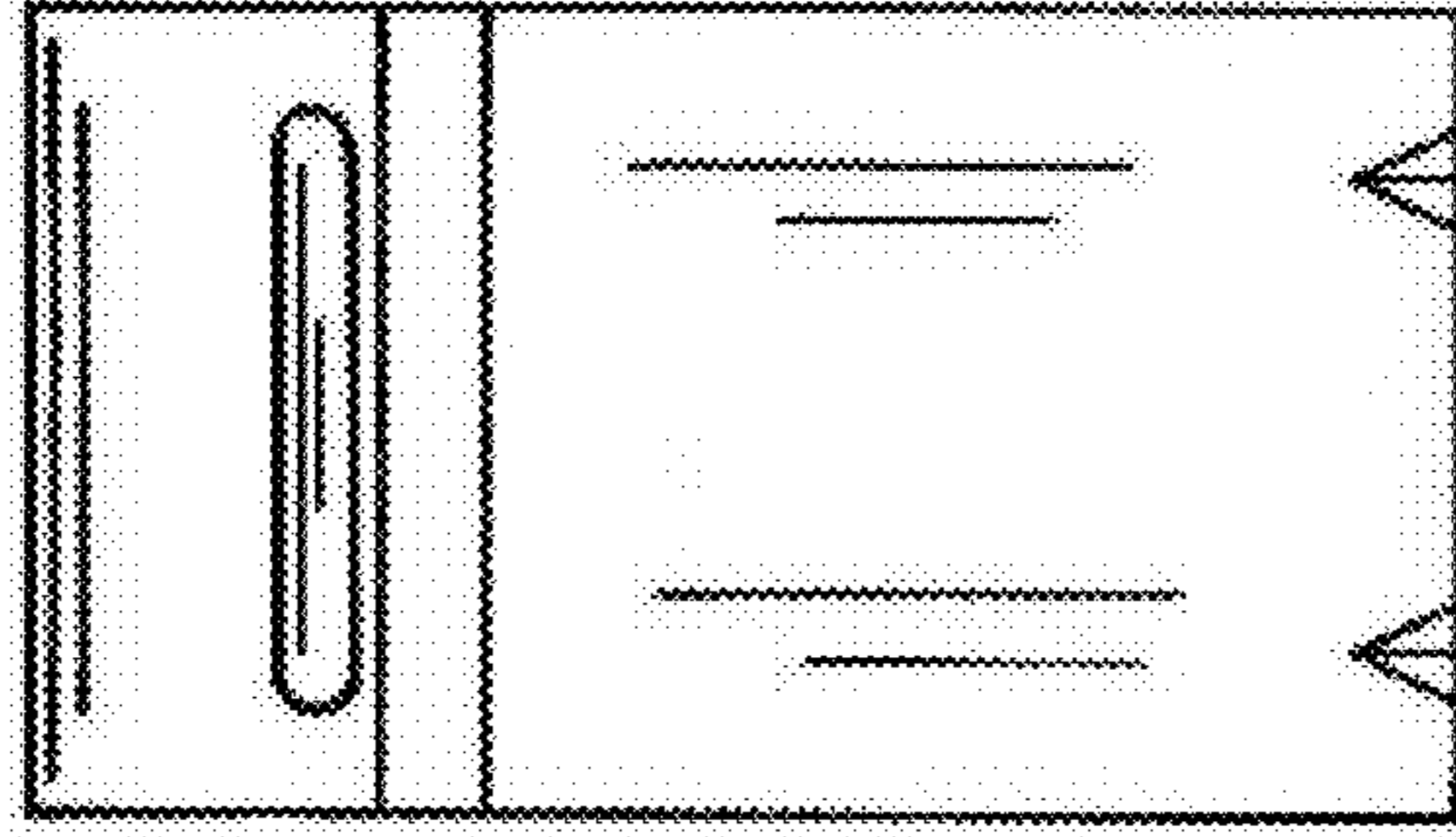


FIG 3

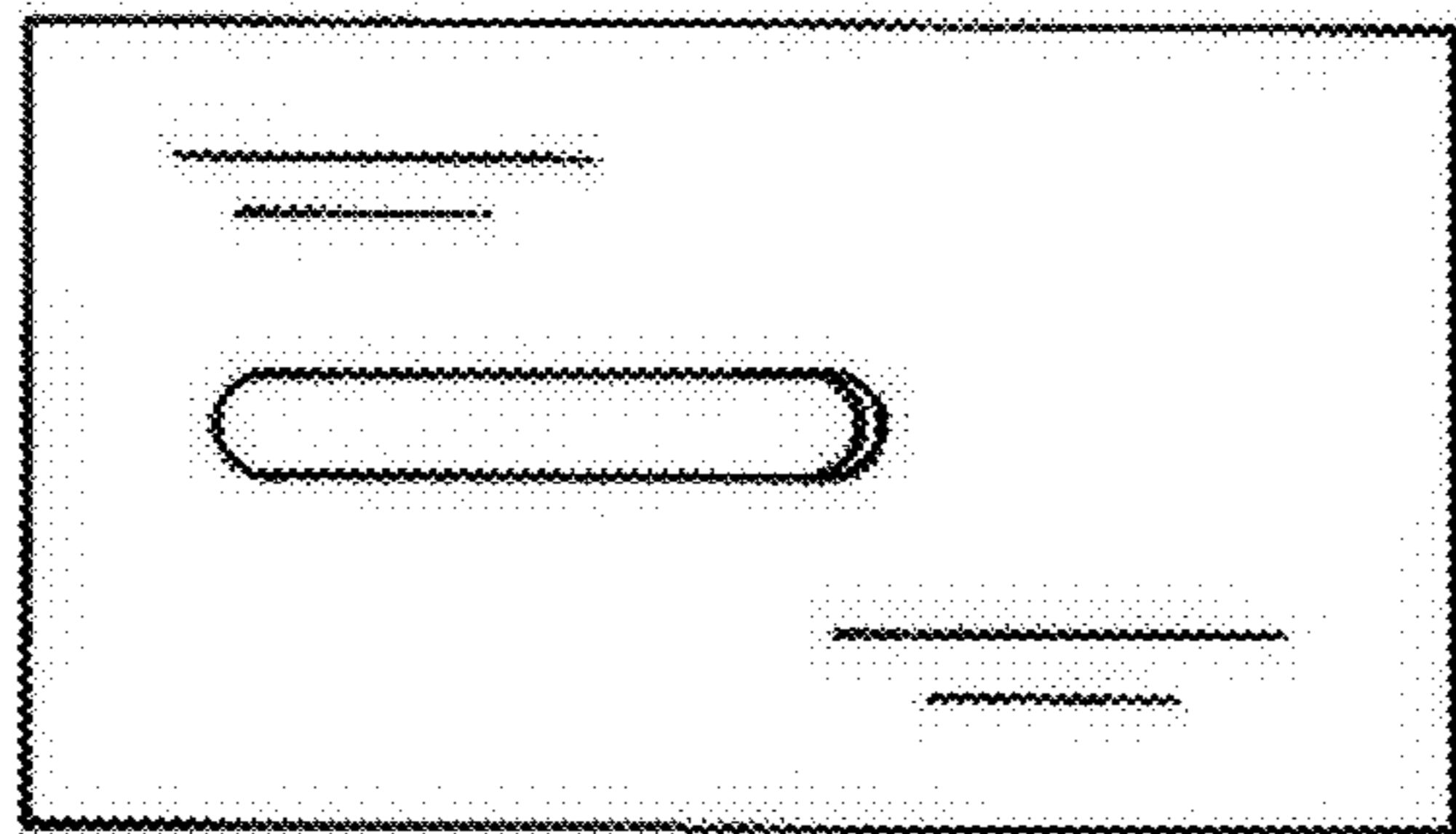


FIG 2

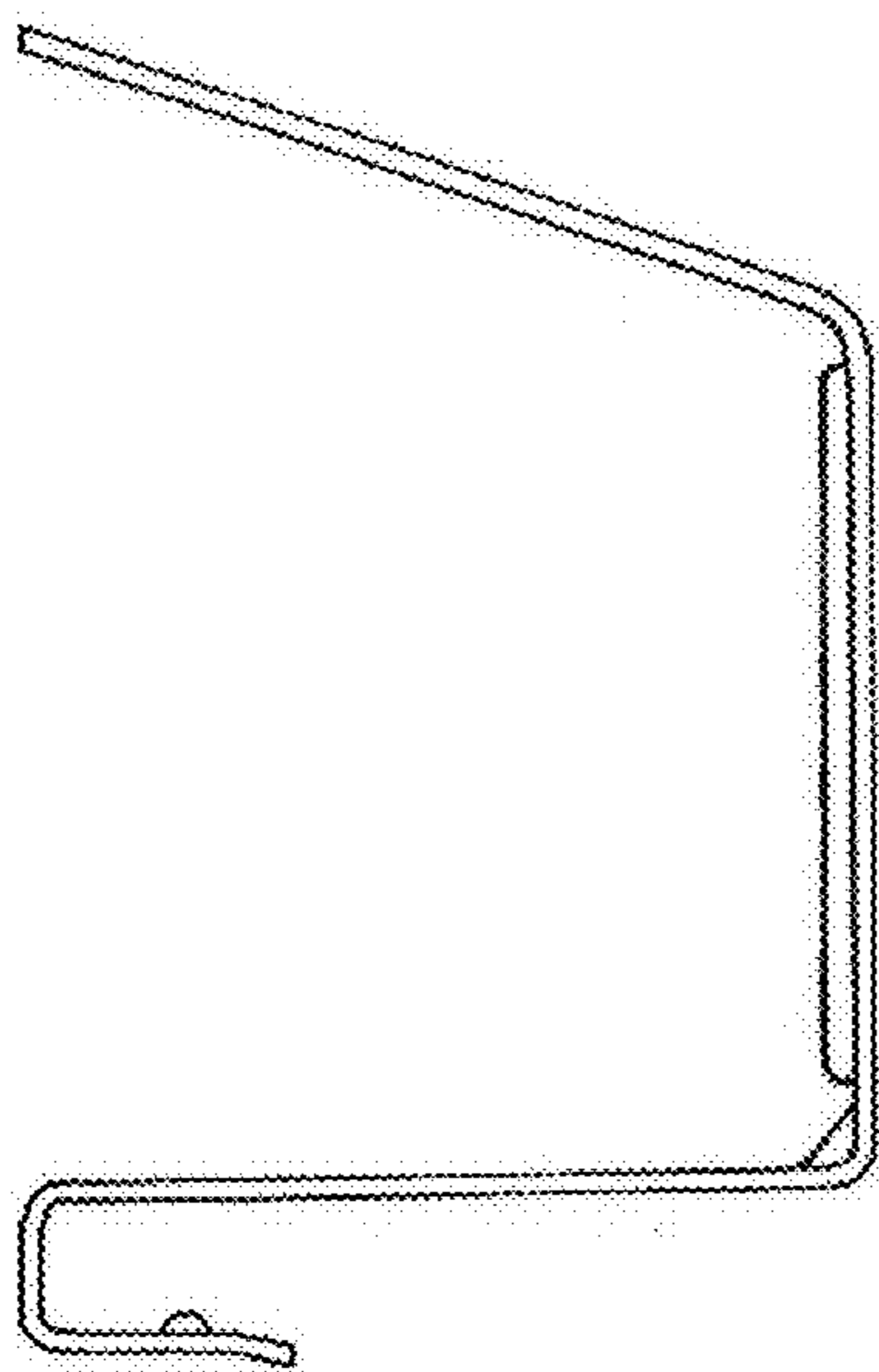


FIG 5

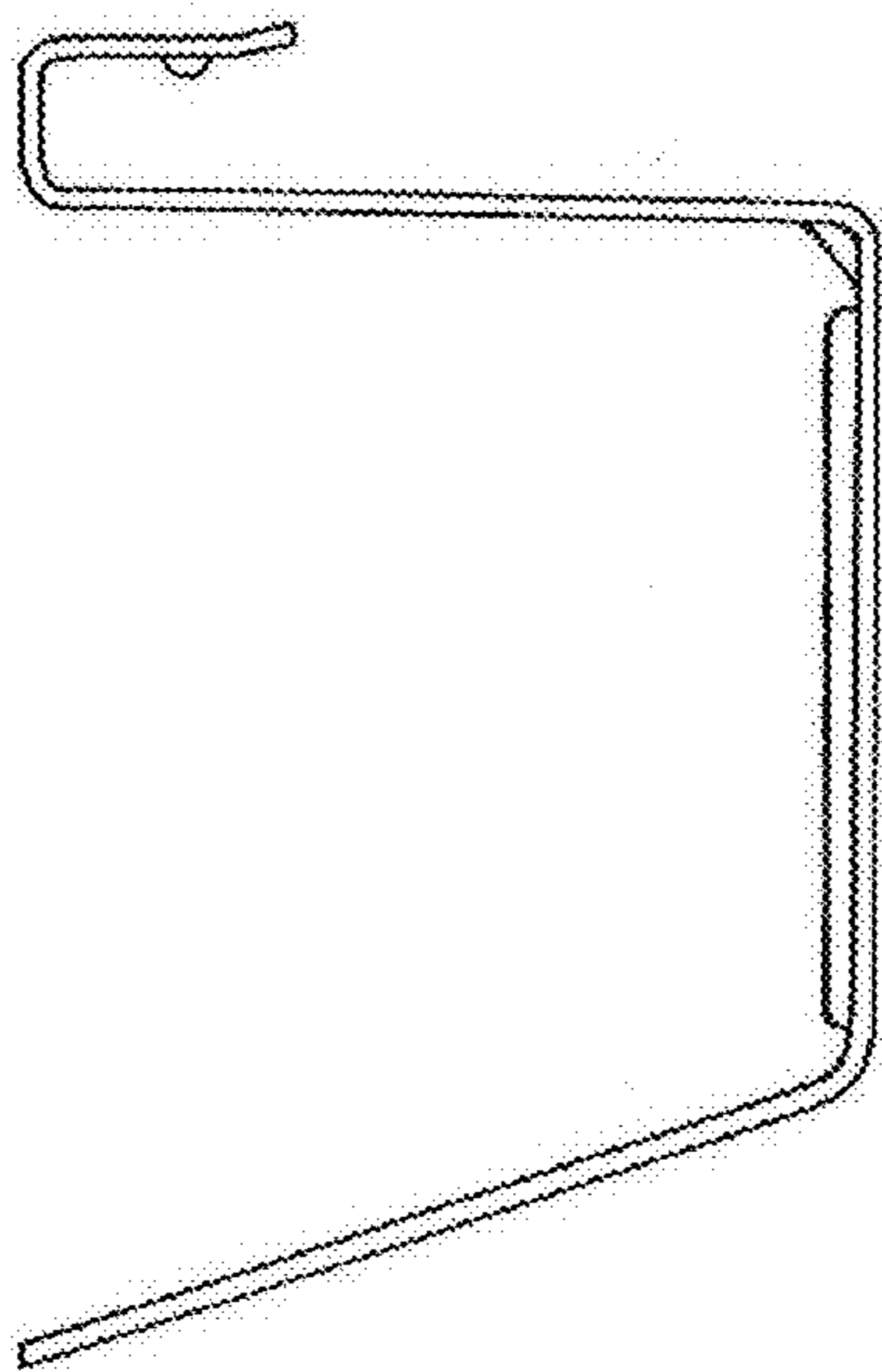


FIG 4

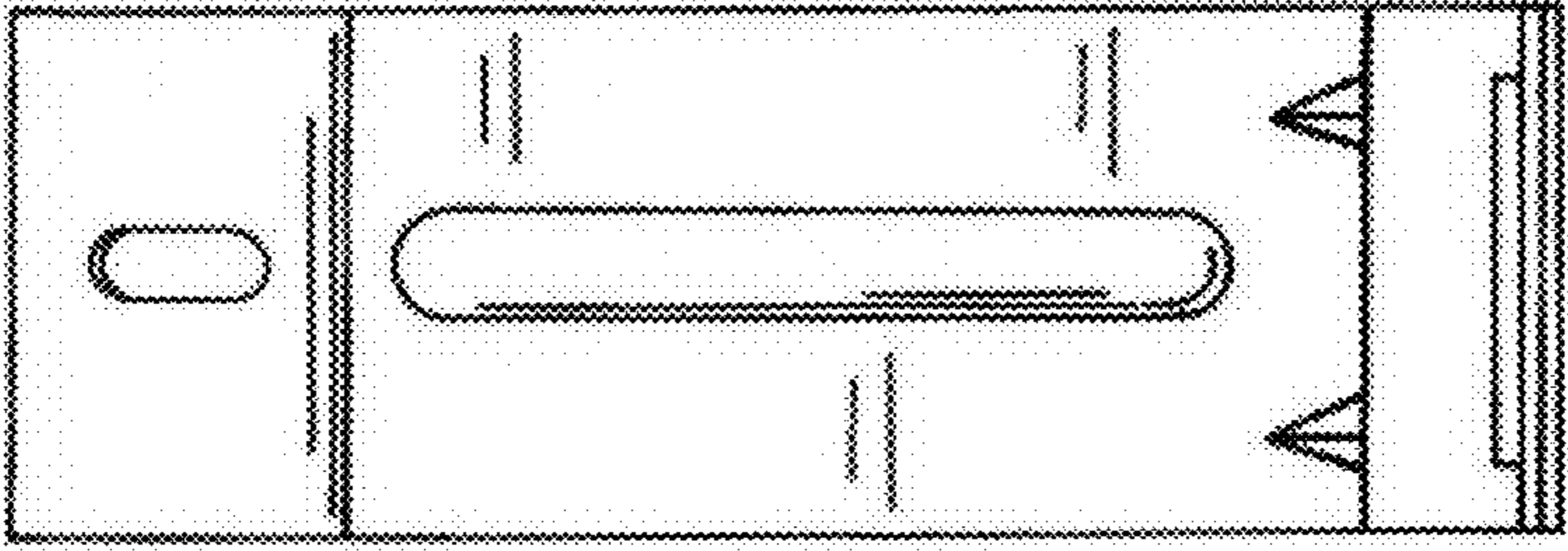


FIG 7

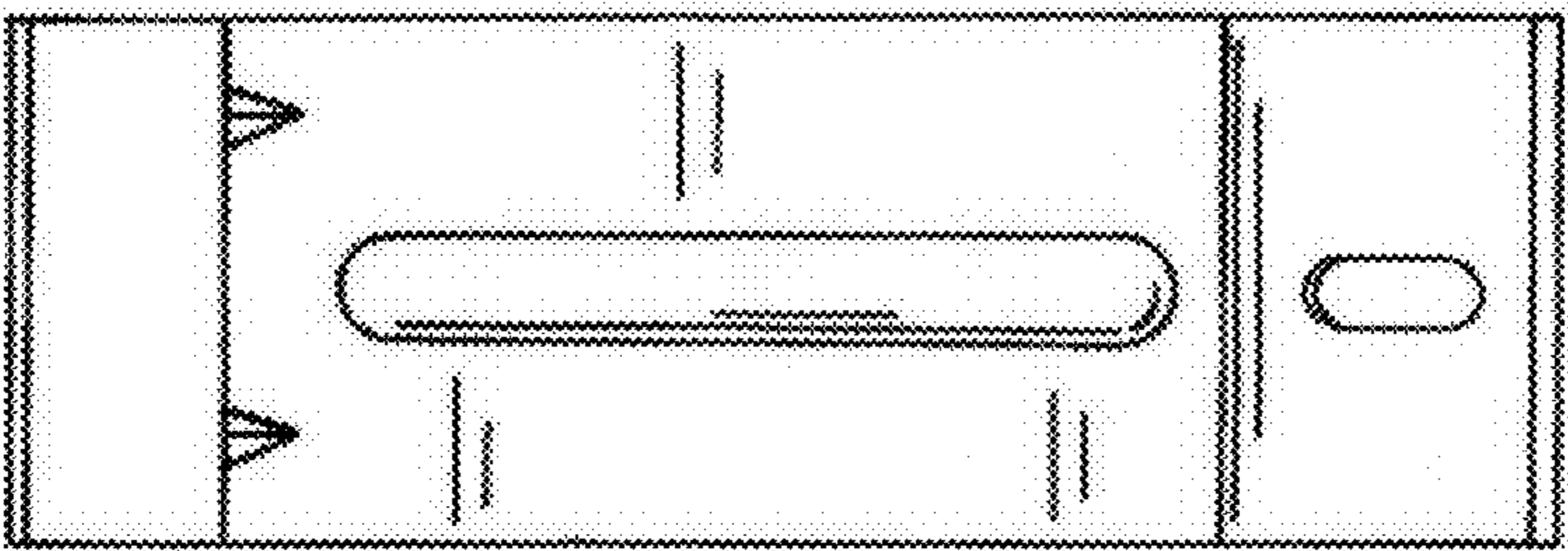


FIG 6



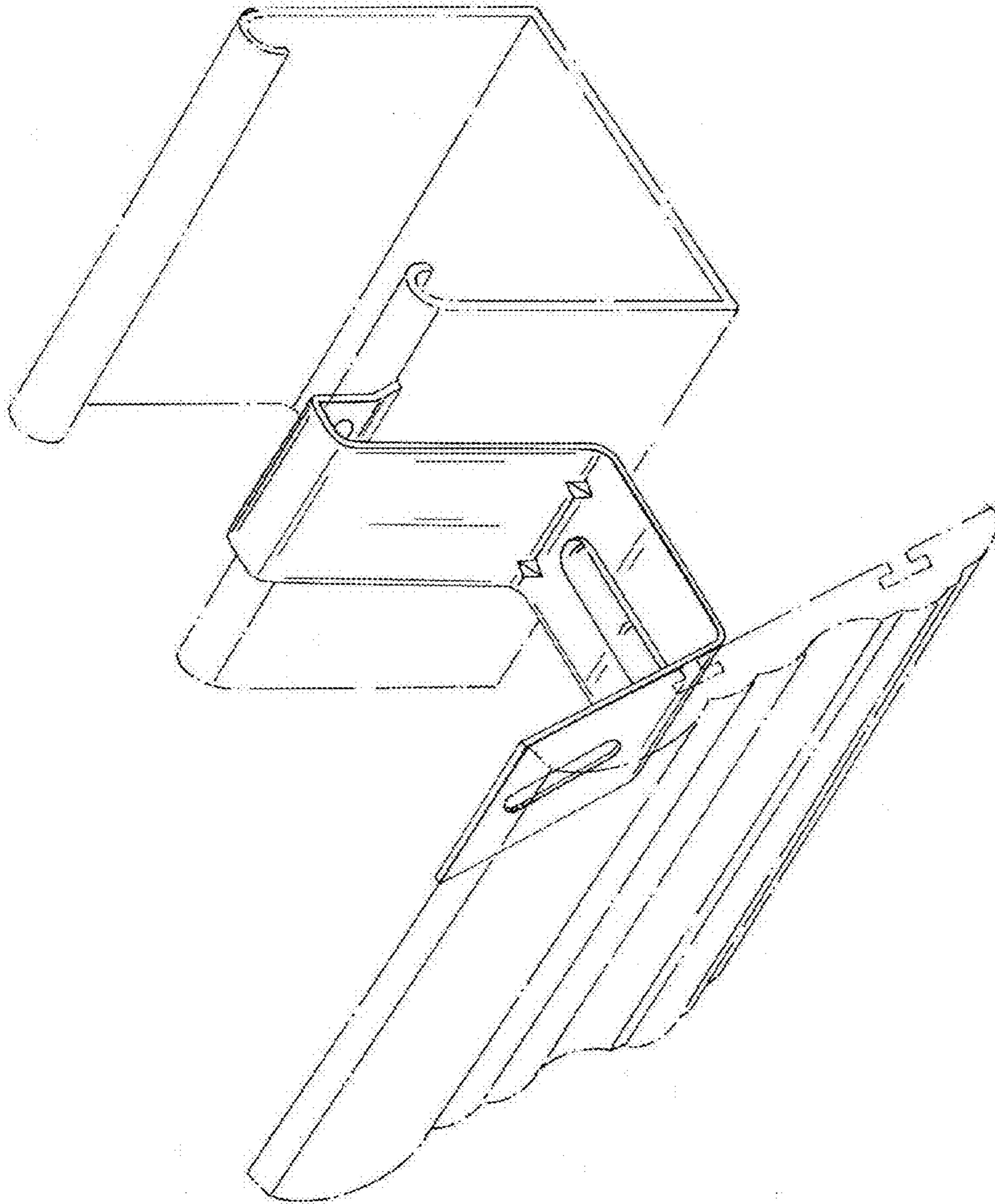


FIG 8