

US00D666475S

(12) **United States Design Patent**
Gaiti

(10) **Patent No.:** **US D666,475 S**
(45) **Date of Patent:** **** Sep. 4, 2012**

- (54) **IRRIGATION HOSE WINDER**
- (75) Inventor: **Giorgio Gaiti**, Correggio (IT)
- (73) Assignee: **G.F. S.R.L.**, Correggio (IT)
- (**) Term: **14 Years**
- (21) Appl. No.: **29/378,900**
- (22) Filed: **Nov. 11, 2010**
- (30) **Foreign Application Priority Data**

5,934,598	A *	8/1999	Kovacik et al.	242/395
D431,449	S *	10/2000	Mihailovic	D8/360
D458,534	S *	6/2002	Morris et al.	D8/358
D504,606	S *	5/2005	Kovacik et al.	D8/358
6,889,701	B2 *	5/2005	Kovacik et al.	137/15.18
D505,859	S *	6/2005	Suzuki	D8/358
D565,936	S *	4/2008	Spadotto	D8/358
7,562,862	B1 *	7/2009	Jackson	254/376
D610,771	S *	2/2010	Doan	D34/33
D658,487	S *	5/2012	Chih	D8/360

* cited by examiner

Primary Examiner — Cynthia Underwood

(74) *Attorney, Agent, or Firm* — Pearne & Gordon LLP

- May 31, 2010 (EM) 001713777-0001
- (51) **LOC (9) Cl.** **08-05**
- (52) **U.S. Cl.** **D8/358**
- (58) **Field of Classification Search** D8/367,
D8/356, 371, 373, 354, 355, 349, 360, 358;
D14/432, 140, 217; D6/323; D3/24; 248/215,
248/301, 339, 349.1; 160/349.2; 24/265 H,
24/265 R, 599.1, 599.8, 113 R, 573.5; 294/82.18;
29/525.1, 45.3; 223/106; 439/501; 320/111,
320/114; 191/12.4; 211/119.04, 119.05;
384/417; 254/391; 474/188
See application file for complete search history.

(57) **CLAIM**

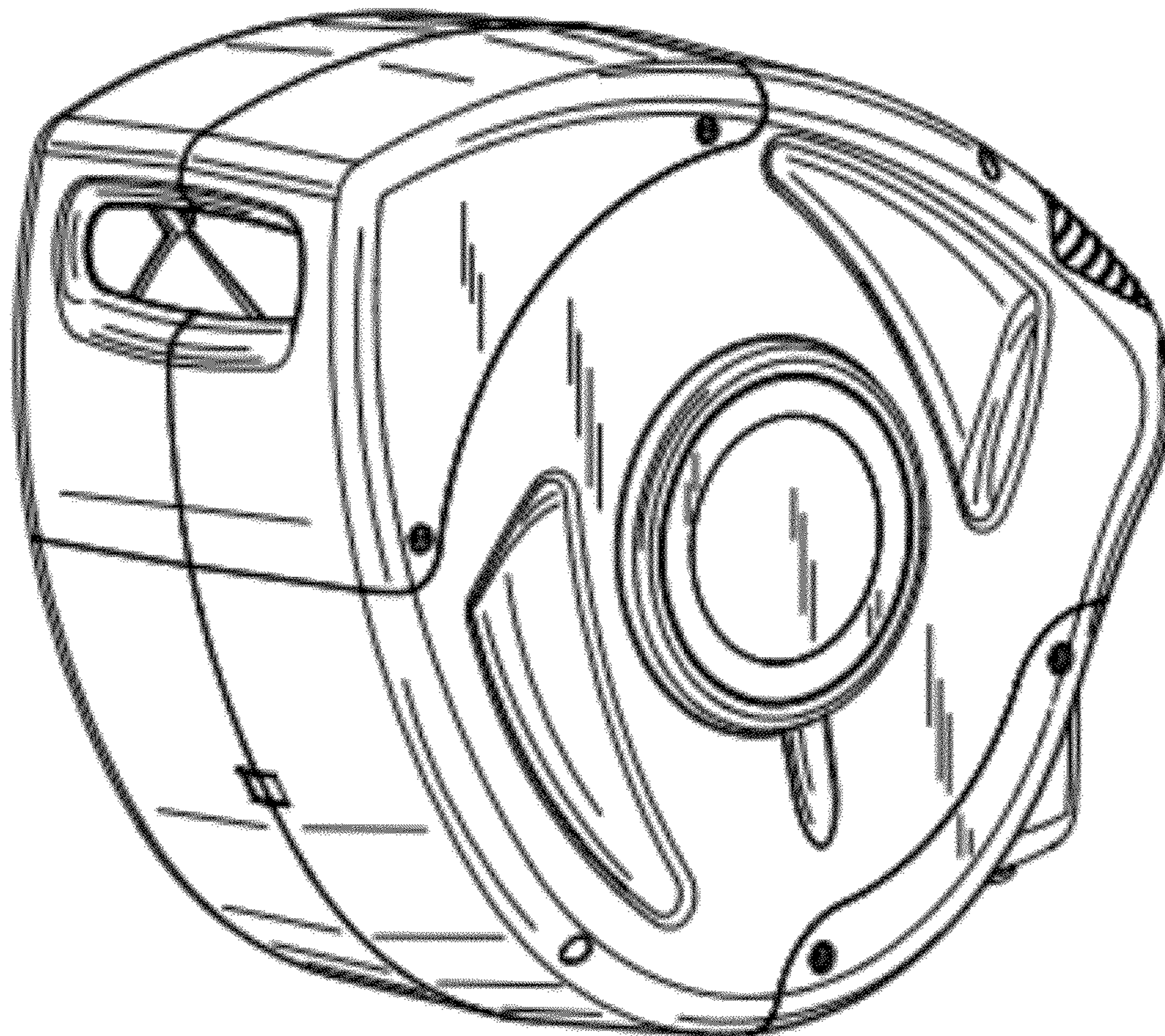
The ornamental design for an irrigation hose winder, as shown and described.

DESCRIPTION

FIG. 1 is a back-right perspective view of an irrigation hose winder, showing my new design;
FIG. 2 is a front-right perspective view thereof;
FIG. 3 is a front elevational view thereof;
FIG. 4 is a back elevational view thereof;
FIG. 5 is a right side elevational view thereof;
FIG. 6 is a left side elevational view thereof;
FIG. 7 is a top plan view thereof; and,
FIG. 8 is a bottom plan view thereof.

- (56) **References Cited**
- U.S. PATENT DOCUMENTS
- D333,401 S * 2/1993 Brown et al. D6/515
- D389,727 S * 1/1998 Austin et al. D8/358

1 Claim, 2 Drawing Sheets



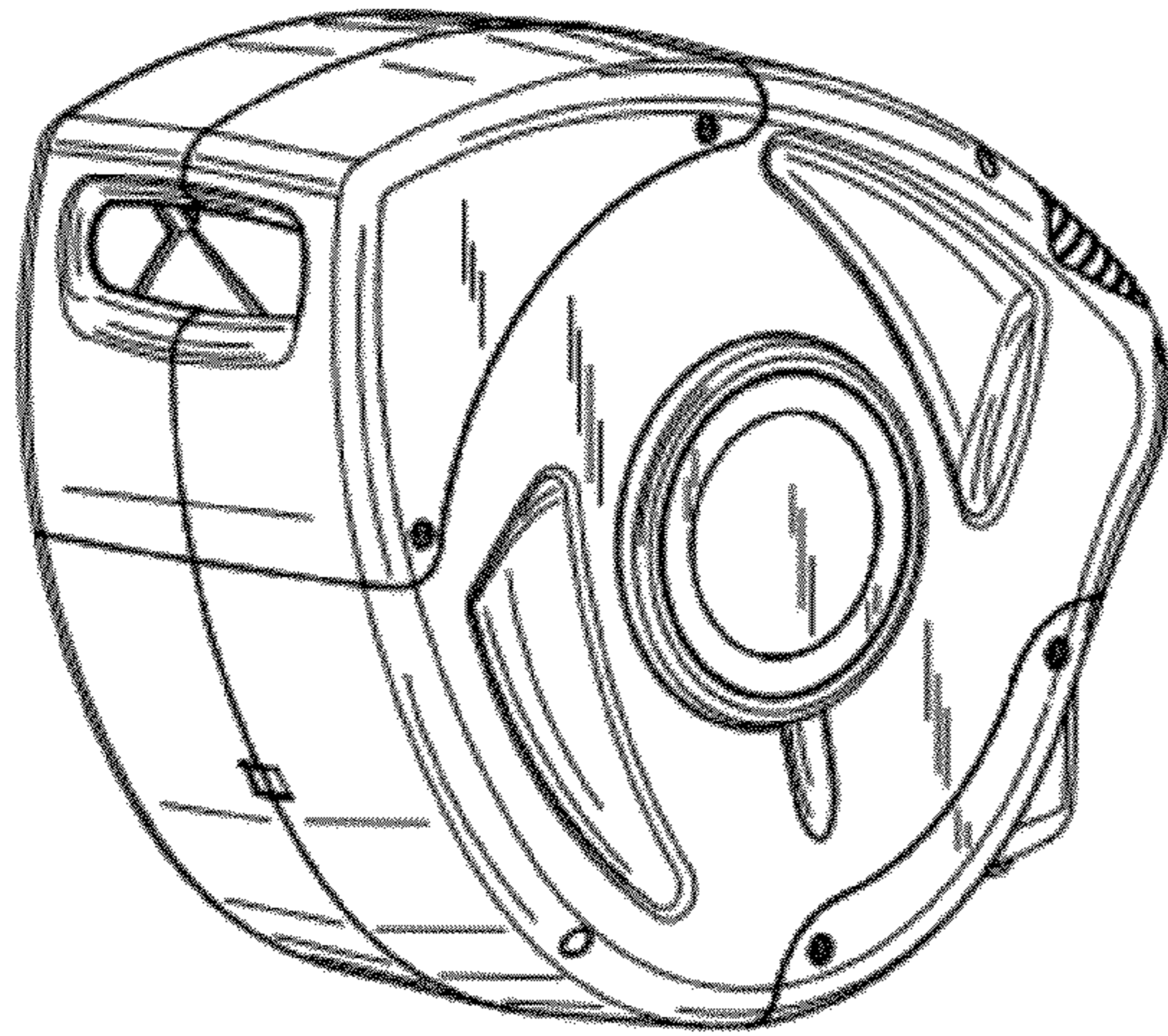


FIG. 1

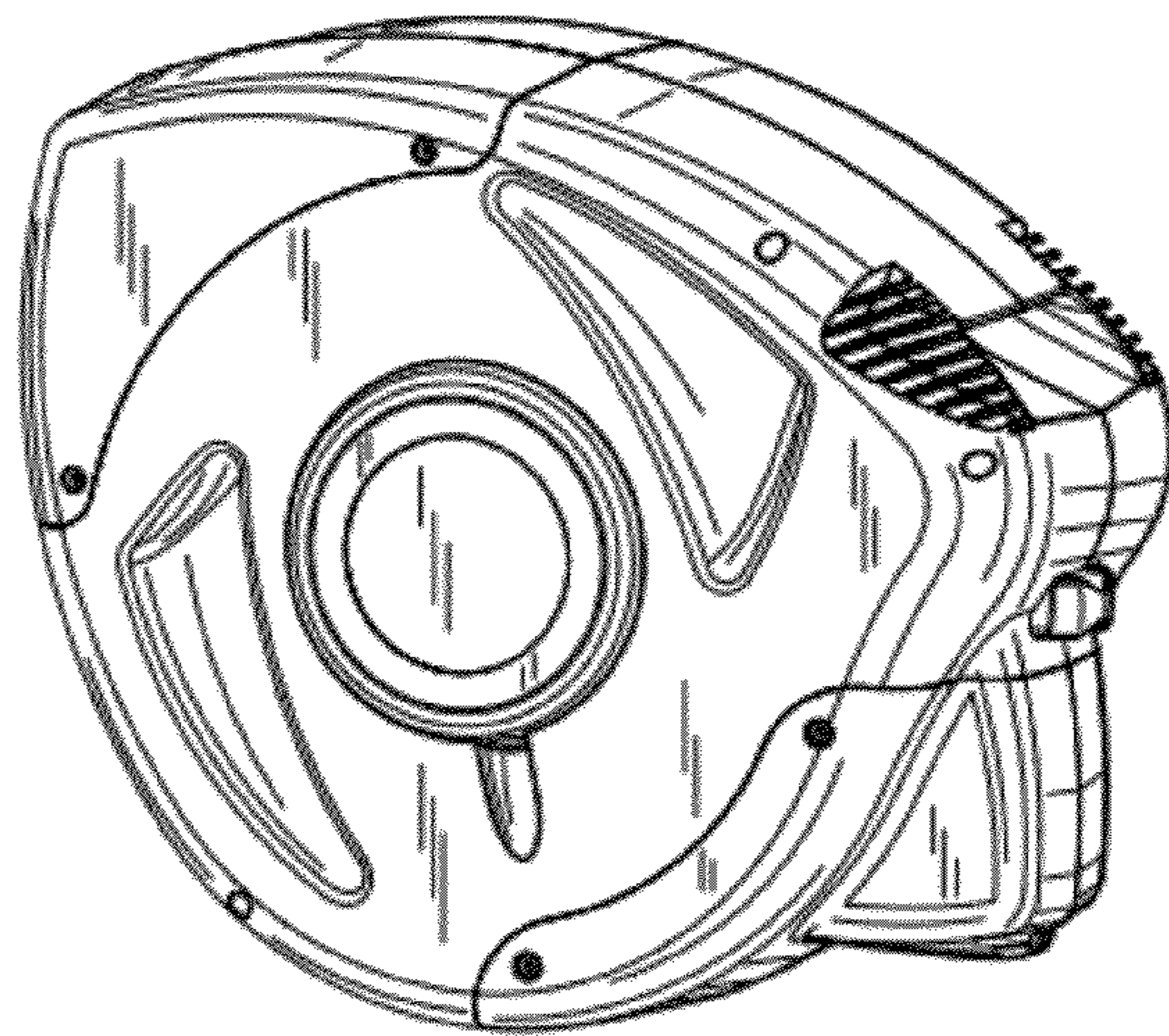


FIG. 2

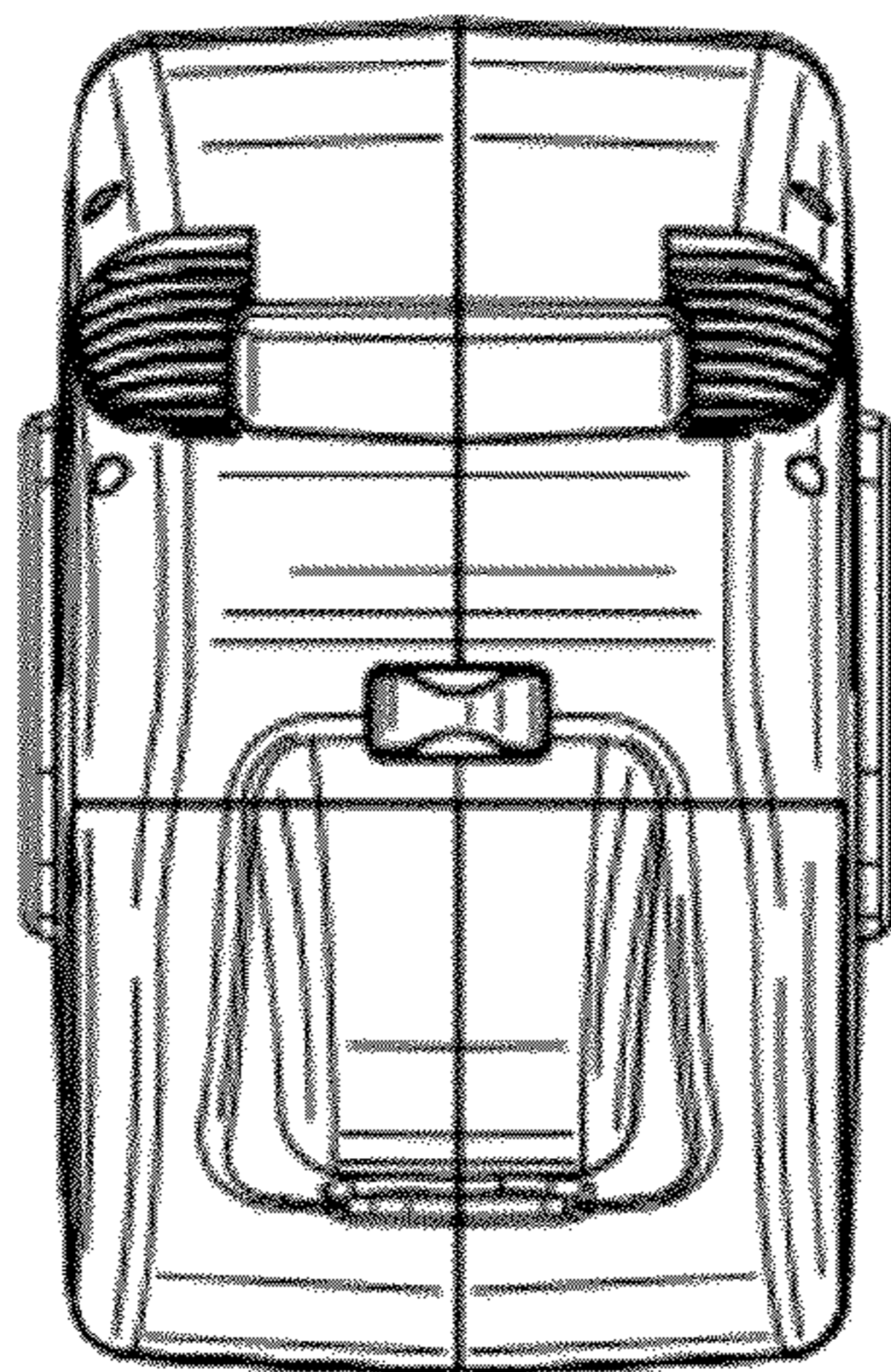


FIG. 3

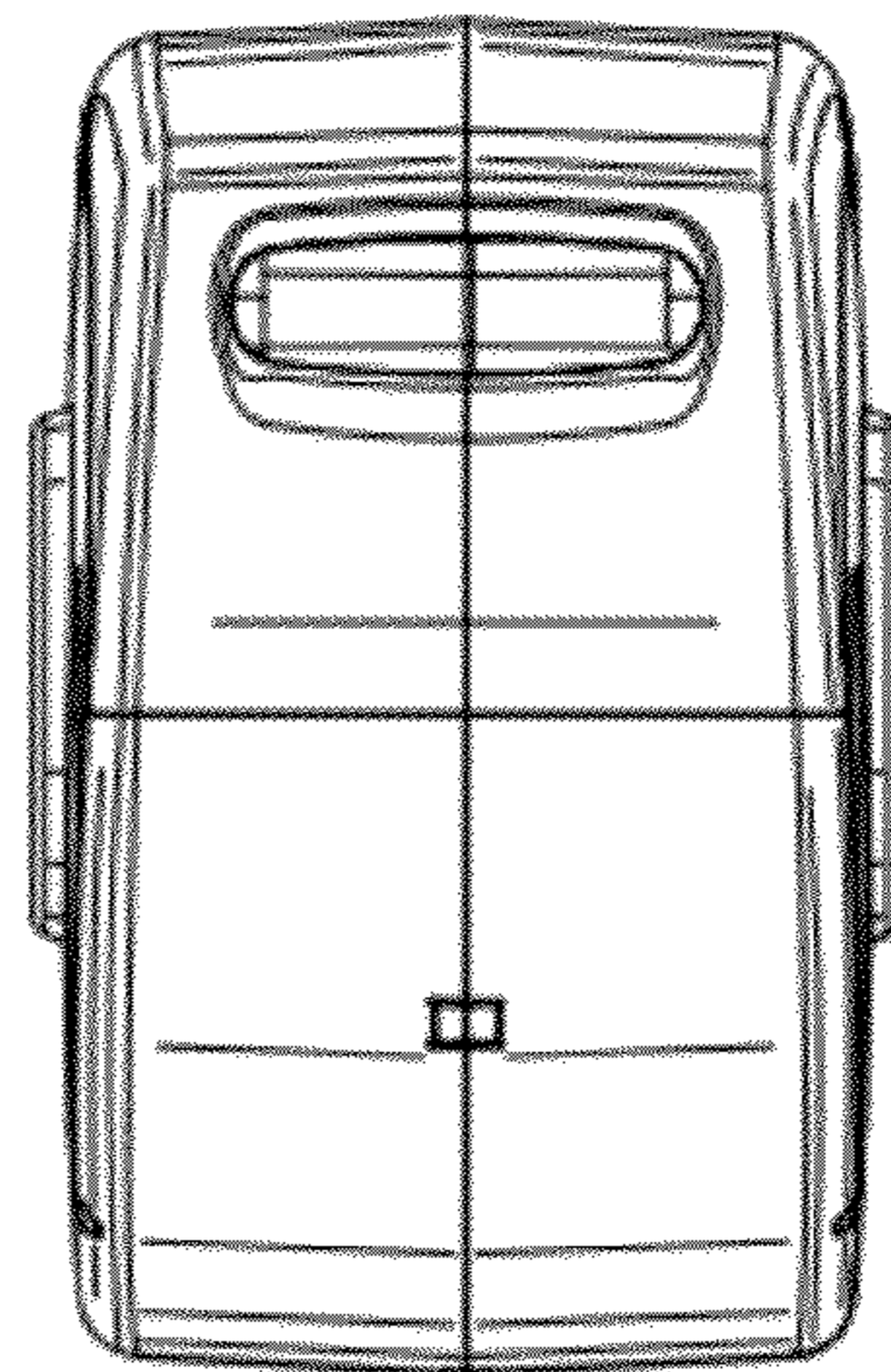


FIG. 4

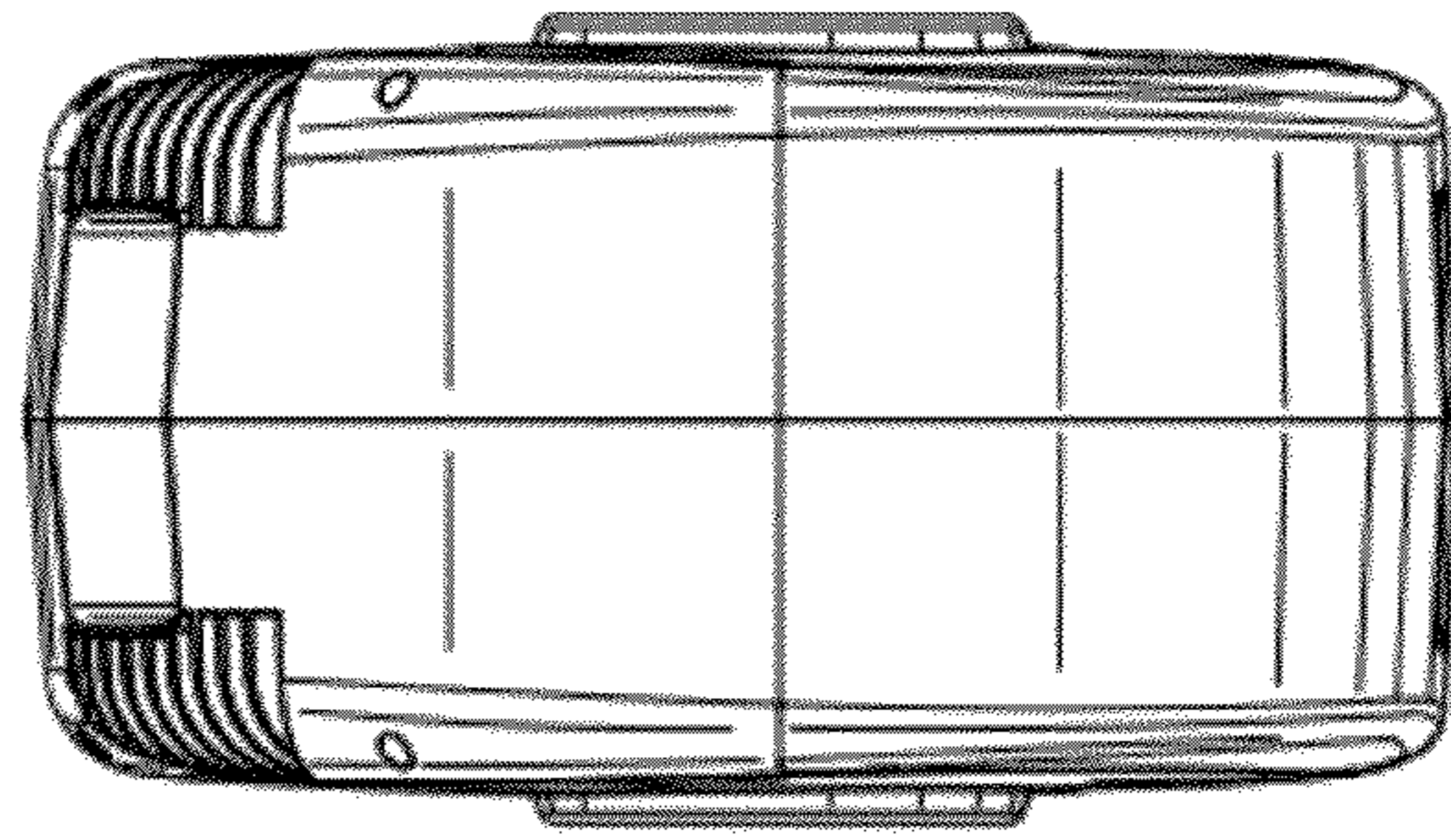


FIG. 7

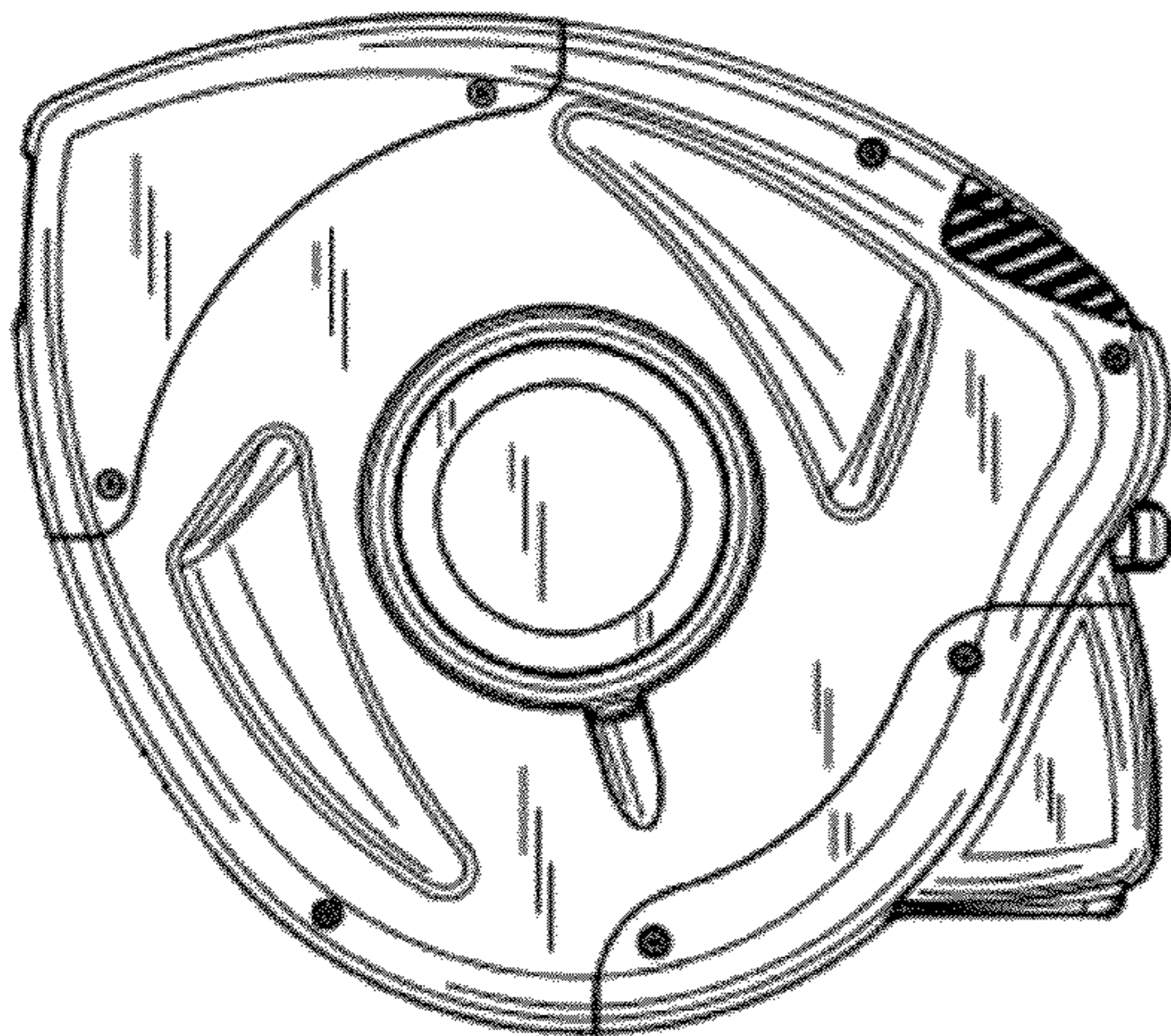


FIG. 5

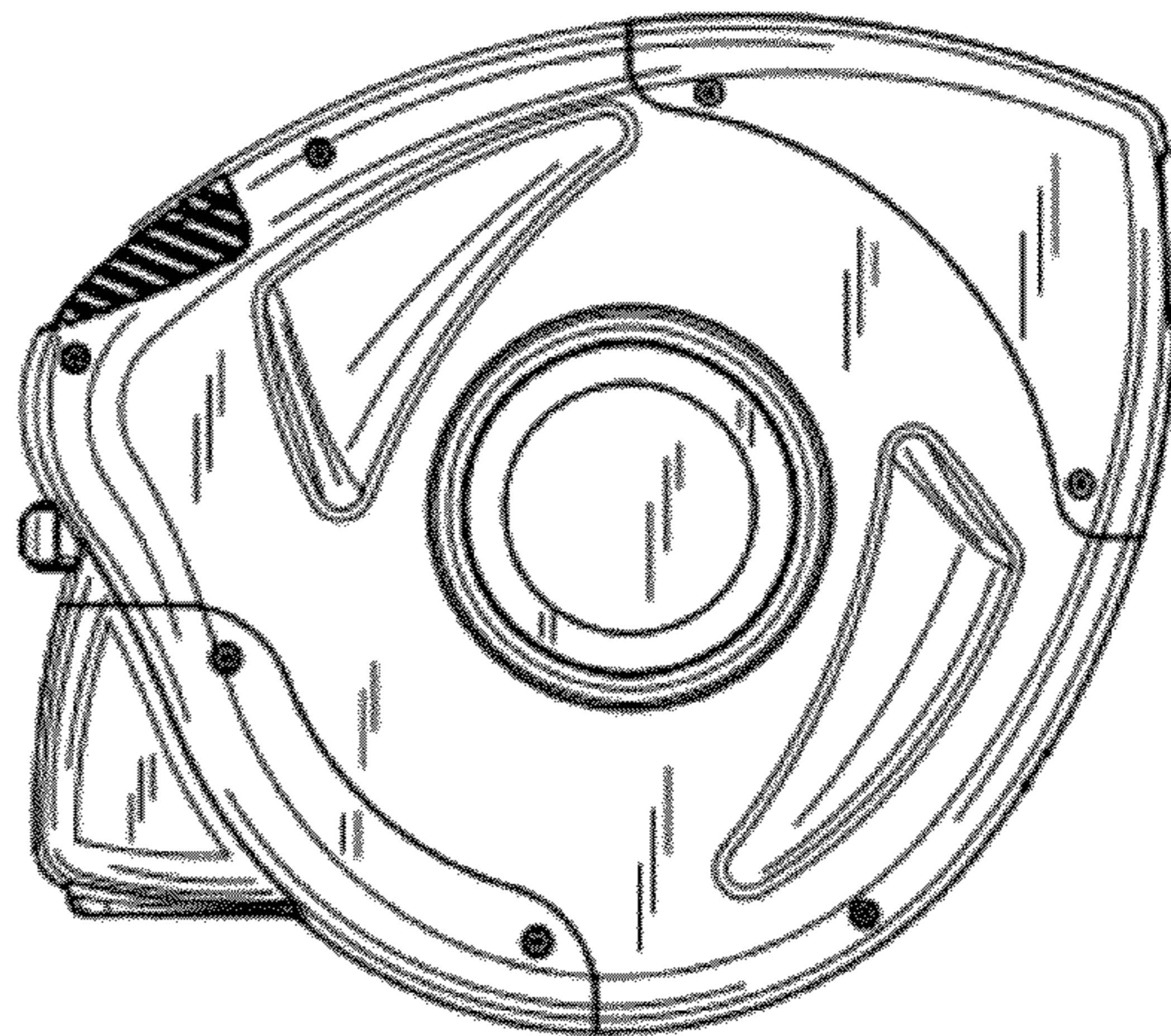


FIG. 6

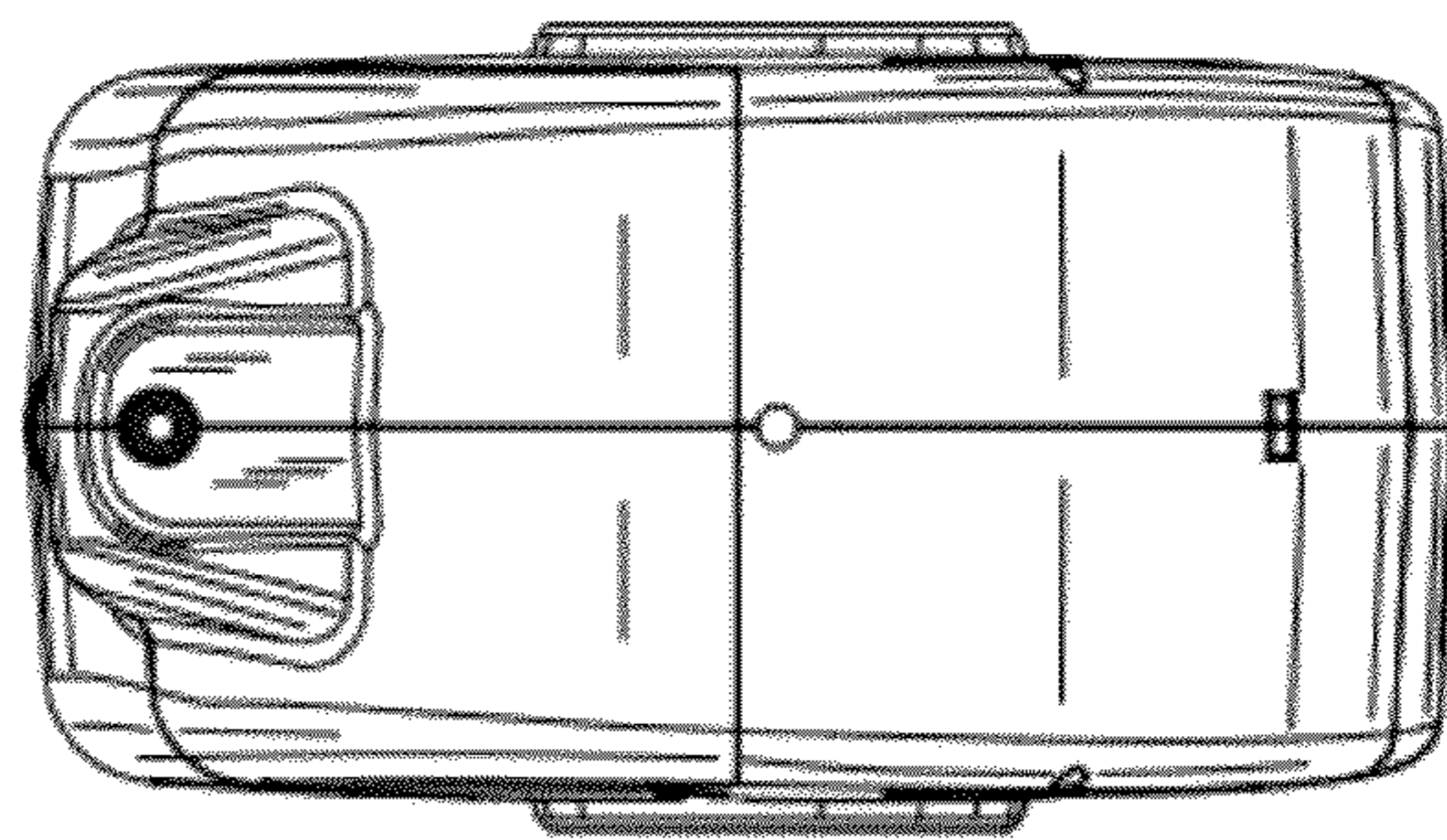


FIG. 8