



US00D666473S

(12) **United States Design Patent**
Despotellis

(10) **Patent No.:** **US D666,473 S**
(45) **Date of Patent:** **** Sep. 4, 2012**

(54) **FOOTING PLATE**

(76) Inventor: **Neil Despotellis**, Bundoora (AU)

(**) Term: **14 Years**

(21) Appl. No.: **29/409,329**

(22) Filed: **Dec. 22, 2011**

(30) **Foreign Application Priority Data**

Jun. 28, 2011 (AU) 12884/2011

(51) **LOC (9) Cl.** **08-05**

(52) **U.S. Cl.** **D8/354**

(58) **Field of Classification Search** D8/354,
D8/349, 382, 384, 385; 405/244, 229, 233,
405/230; 52/155, 292, 293.1–293.3, 741.15;
248/216.4, 519, 163.1, 188, 188.1, 188.91,
248/200, 188.7, 547; 403/167–178

See application file for complete search history.

(56) **References Cited**

U.S. PATENT DOCUMENTS

405,445	A *	6/1889	Thomson	52/158
1,808,633	A *	6/1931	Carver	52/158
2,663,915	A *	12/1953	Dietrich	52/155
2,826,281	A *	3/1958	Johnson	52/158
3,318,054	A *	5/1967	Giardina	52/39
3,591,113	A	7/1971	Foster, Jr.	
3,903,662	A	9/1975	Gabliya et al.	
D258,743	S *	3/1981	Ruga	D21/484
4,342,179	A	8/1982	Hill	
4,452,018	A *	6/1984	Hill	52/155
4,679,369	A *	7/1987	Kinsley et al.	52/155
4,706,921	A *	11/1987	Paulin	248/545
4,717,108	A *	1/1988	Liedle	248/432
RE33,220	E *	5/1990	Collier	52/263
4,923,165	A *	5/1990	Cockman	248/545
5,039,256	A *	8/1991	Gagliano	405/244
5,395,184	A *	3/1995	Gagliano	405/229
5,791,635	A *	8/1998	Hull et al.	256/64

5,797,226	A *	8/1998	MacKarvich	52/155
D405,541	S *	2/1999	Pekin	D25/62
6,298,618	B1 *	10/2001	Lawson	52/292
6,435,777	B1 *	8/2002	Yoshii et al.	405/244
6,910,832	B2 *	6/2005	Gagliano et al.	405/231
7,076,925	B2 *	7/2006	Gagliano	52/155
7,326,003	B2 *	2/2008	Gagliano	405/229
D628,047	S *	11/2010	Craig	D8/354
D654,350	S *	2/2012	Preda	D8/354
2006/0266910	A1 *	11/2006	Plante	248/499

FOREIGN PATENT DOCUMENTS

AU	752228	B2	9/2002
WO	WO 00/01893	A1	1/2000

OTHER PUBLICATIONS

Despotellis, Innovation Patent Specification as filed and granted, This data, Application No. 2009100911 dated Sep. 10, 2009, (6 pages).

Despotellis, Innovation Patent—Request for Examination and Amendment including first proposed amendment set, This data, for Application No. 2009100911 dated Apr. 12, 2010, (10 pages).

(Continued)

Primary Examiner — Mark Goodwin

(74) *Attorney, Agent, or Firm* — Buchanan Ingersoll & Rooney PC

(57) **CLAIM**

The ornamental design for a footing plate, as shown and described.

DESCRIPTION

FIG. 1 is a top perspective view of a footing plate showing my new design.

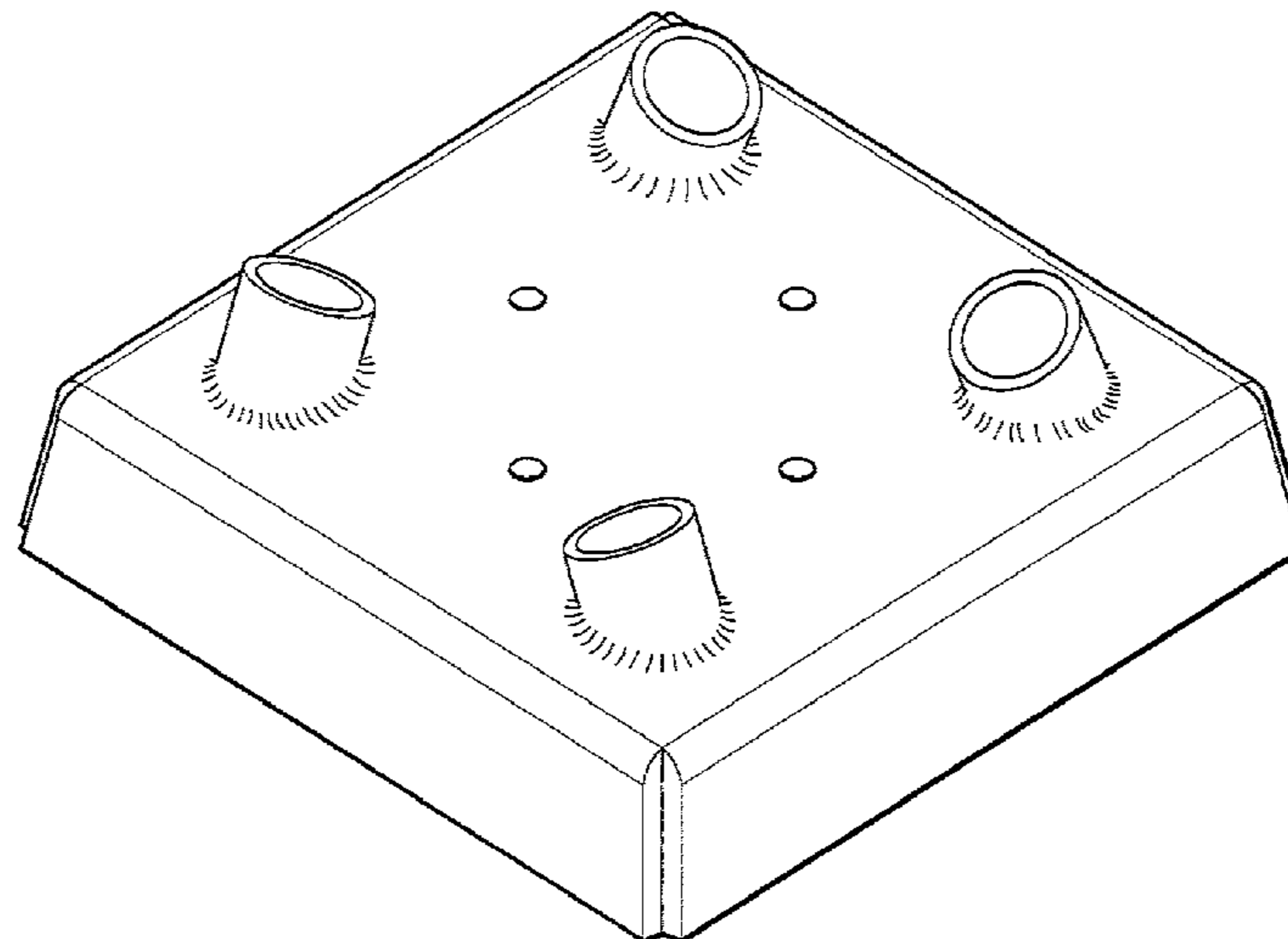
FIG. 2 is a bottom perspective view thereof.

FIG. 3 is a top view thereof.

FIG. 4 is a bottom view thereof; and,

FIG. 5 is a left side view thereof, of which the right side is a mirror image.

1 Claim, 5 Drawing Sheets



OTHER PUBLICATIONS

Office Action (First Examination Report) dated Apr. 30, 2010, issued in the corresponding Australia Innovation Patent No. 2009100911. (2 pages).

Despotellis, Second proposed amendment set, This data, for Application No. 2009100911 dated May 17, 2010, (6 pages).

Office Action (Second Examination Report) dated May 31, 2010, issued in the corresponding Australia Innovation Patent No. 2009100911. (6 pages).

Despotellis, Response filed Jul. 28, 2010 in corresponding Patent No. 2009100911. (1 page).

Office Action (Third Examination Report) dated Aug. 26, 2010, issued in the corresponding Australia Innovation Patent No. 2009100911. (2 pages).

Despotellis, Third proposed amendment set, This data, for Application No. 2009100911 dated Sep. 9, 2010, (11 pages).

Office Action (Fourth Examination Report) dated Sep. 30, 2010, issued in the corresponding Australia Innovation Patent No. 2009100911. (2 pages).

Despotellis, Fourth proposed amendment set, This data, for Application No. 2009100911 dated Oct. 14, 2010, (3 pages).

Despotellis, Fifth proposed amendment set, This data, for Application No. 2009100911 dated Oct. 20, 2010, (8 pages).

IP Australia letter of Oct. 27, 2010 advising of Certification This data, for Application No. 2009100911, (2 pages).

Despotellis, U.S. Appl. No. 29/409,327, entitle "Footing Plate" filed Dec. 22, 2011.

Despotellis, U.S. Appl. No. 29/409,333, entitle "Footing Plate" filed Dec. 22, 2011.

* cited by examiner

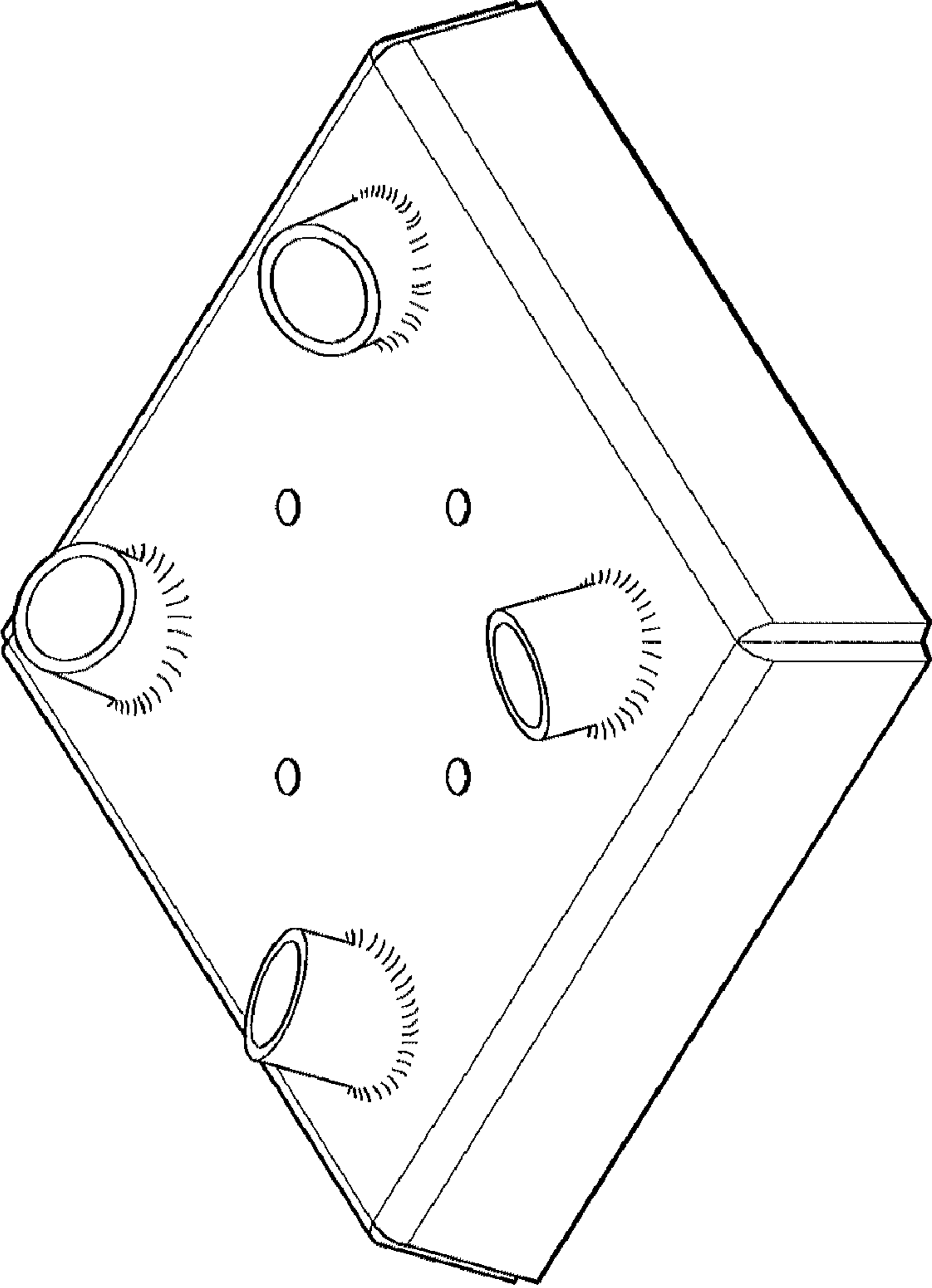


FIG. 1

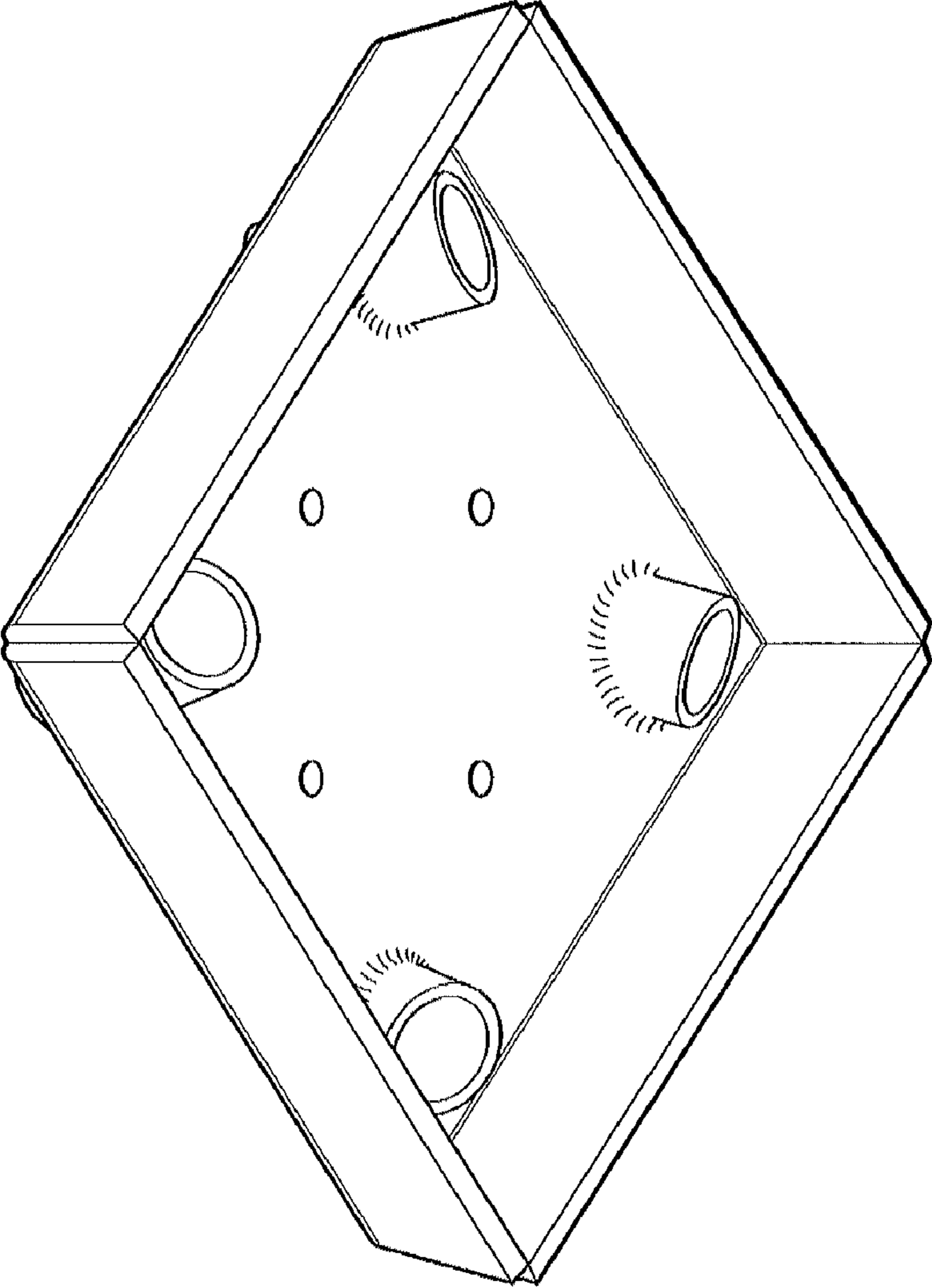


FIG. 2

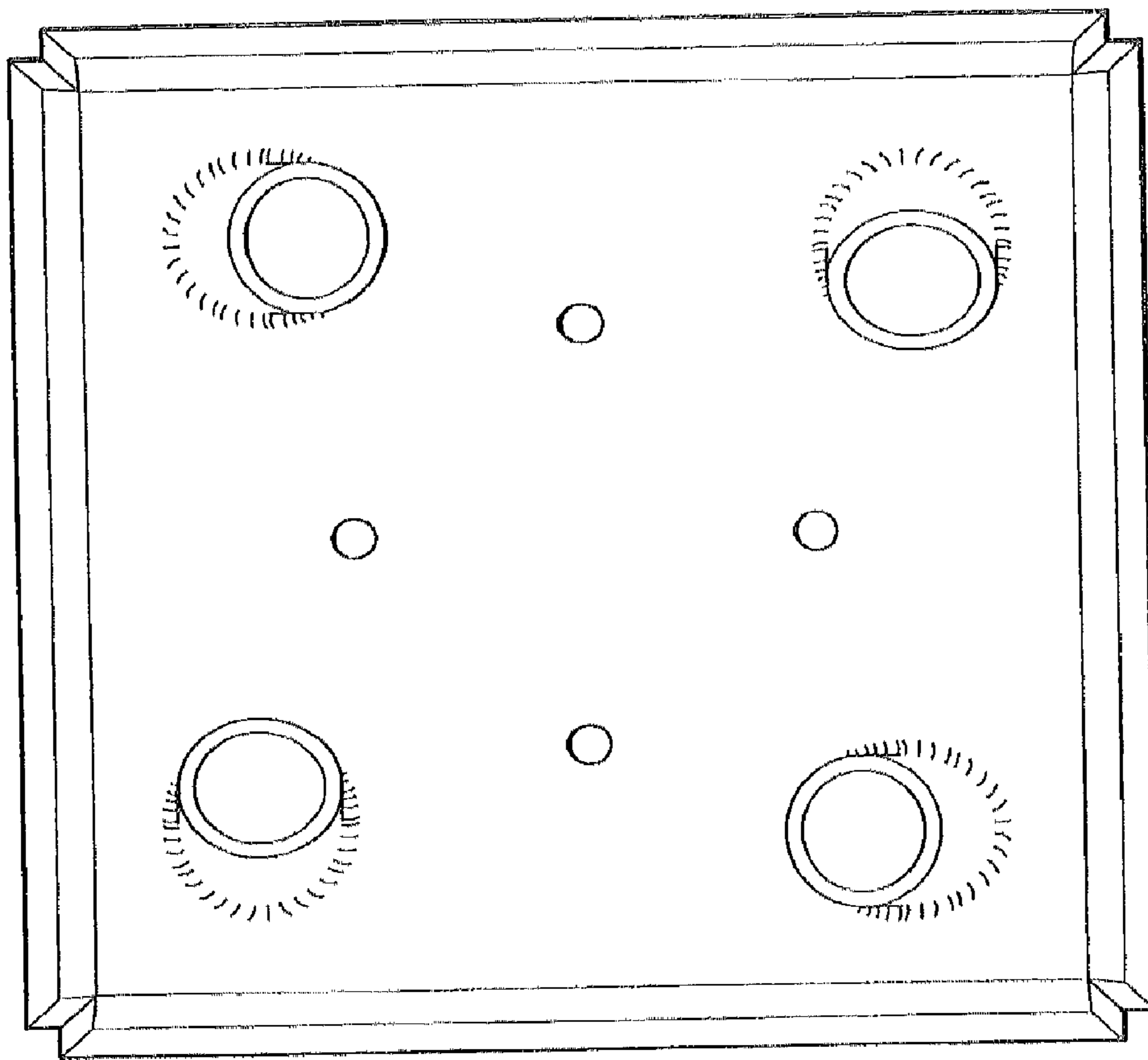


FIG. 3

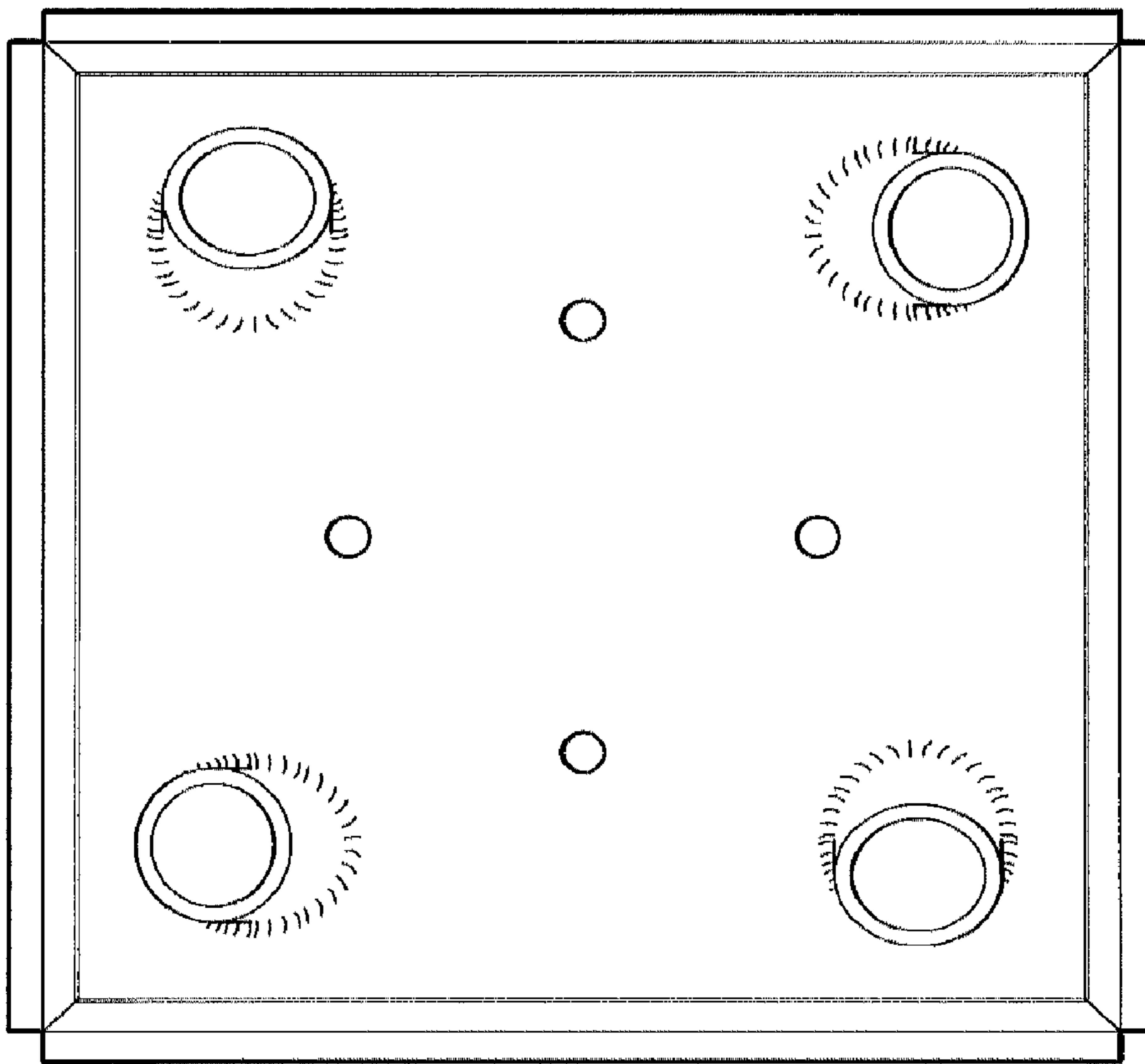


FIG. 4

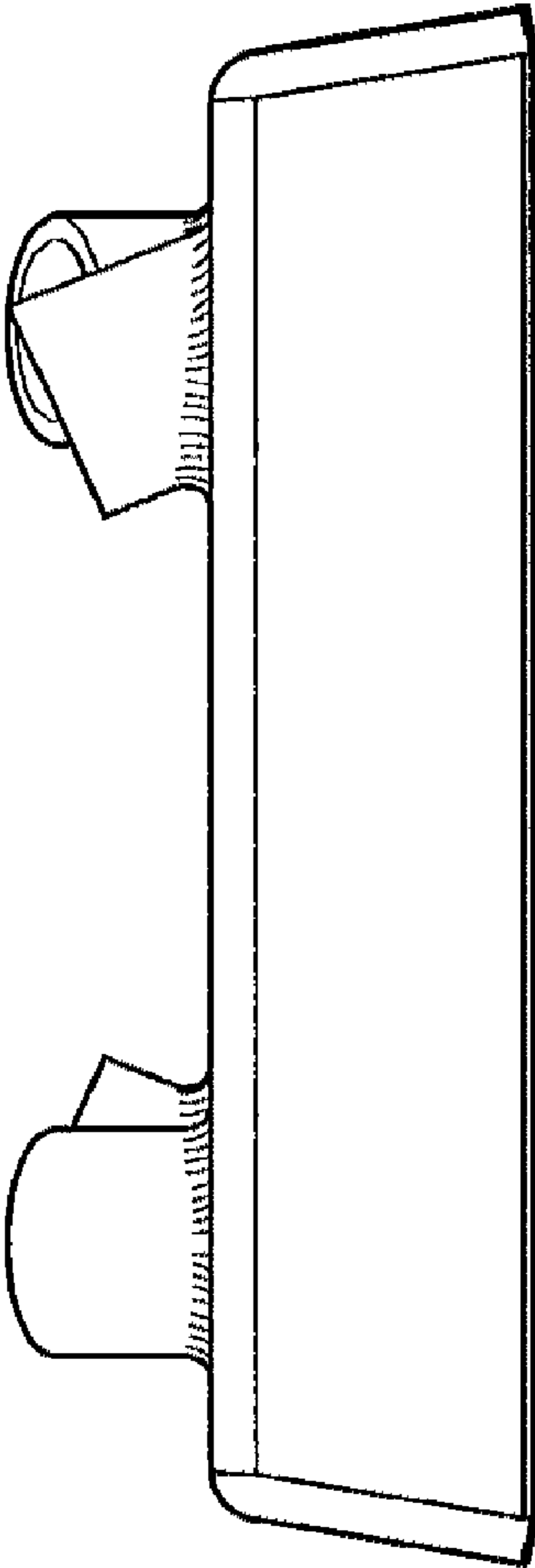


FIG. 5