



US00D666471S

(12) **United States Design Patent**  
**Peckham**

(10) **Patent No.:** **US D666,471 S**

(45) **Date of Patent:** **\*\* Sep. 4, 2012**

(54) **ELECTRICAL OUTLET PLATE**

(76) **Inventor:** **Albert E. Peckham**, Gloucester, MA  
(US)

(\*\*) **Term:** **14 Years**

(21) **Appl. No.:** **29/372,092**

(22) **Filed:** **Oct. 14, 2010**

(51) **LOC (9) Cl.** ..... **11-05**

(52) **U.S. Cl.** ..... **D8/353**

(58) **Field of Classification Search** ..... D8/380-353;  
D13/139.1-139.8, 146, 147, 152, 154, 156,  
D13/158, 169, 171, 173, 177; D14/159;  
D25/60; 174/55, 58, 66, 67, 535; 220/241,  
220/3.92, 3.5-3.8, 242; 439/535, 536, 892;  
200/303; 248/273; 292/357

See application file for complete search history.

(56) **References Cited**

**U.S. PATENT DOCUMENTS**

|           |     |         |              |         |
|-----------|-----|---------|--------------|---------|
| 1,144,107 | A * | 6/1915  | Burt         | 220/242 |
| 1,221,652 | A * | 4/1917  | Badeau       | 220/242 |
| D182,305  | S * | 3/1958  | Russell      | D8/353  |
| D187,921  | S * | 5/1960  | Prior        | D8/353  |
| D208,783  | S * | 10/1967 | Stillman     | D8/353  |
| D212,760  | S * | 11/1968 | Bordner      | D8/353  |
| 3,438,534 | A * | 4/1969  | Zerwes       | 220/241 |
| D214,615  | S * | 7/1969  | Patriquin    | D8/353  |
| 3,619,477 | A * | 11/1971 | Rasmussen    | 174/56  |
| D222,885  | S * | 1/1972  | Smith        | D8/353  |
| D236,948  | S * | 9/1975  | Mori         | D8/353  |
| D236,949  | S * | 9/1975  | Mori         | D8/353  |
| D237,043  | S * | 10/1975 | Mori         | D8/351  |
| D237,045  | S * | 10/1975 | Mori         | D8/351  |
| D242,522  | S * | 11/1976 | Emmerling    | D8/353  |
| D243,653  | S * | 3/1977  | Fine         | D8/353  |
| D243,824  | S * | 3/1977  | Fine         | D8/353  |
| D243,825  | S * | 3/1977  | Levin        | D8/351  |
| D243,887  | S * | 3/1977  | Levin et al. | D8/351  |
| 4,312,458 | A * | 1/1982  | Stewart      | 220/241 |

|           |     |         |                   |         |
|-----------|-----|---------|-------------------|---------|
| 4,343,527 | A * | 8/1982  | Harrington et al. | 439/468 |
| 4,451,106 | A * | 5/1984  | Wiseheart et al.  | 439/536 |
| D284,261  | S * | 6/1986  | Sorenson          | D8/353  |
| D289,602  | S * | 5/1987  | Williams, Jr.     | D8/353  |
| D298,733  | S * | 11/1988 | Pool              | D8/353  |
| 4,851,612 | A   | 7/1989  | Peckham           |         |
| D340,718  | S * | 10/1993 | Leger et al.      | D14/224 |
| 5,267,461 | A * | 12/1993 | Eizen             | 70/451  |
| D346,949  | S * | 5/1994  | Comerci et al.    | D8/353  |
| 5,454,143 | A * | 10/1995 | Wigley, Sr.       | 16/82   |
| D364,141  | S * | 11/1995 | Hanna et al.      | D13/125 |
| D392,873  | S * | 3/1998  | Scherer et al.    | D8/353  |
| D396,401  | S * | 7/1998  | Christie          | D8/353  |
| 5,834,695 | A * | 11/1998 | Herbert           | 174/66  |
| 5,837,937 | A * | 11/1998 | Reese et al.      | 174/66  |
| D411,733  | S * | 6/1999  | Lin               | D8/353  |
| D411,797  | S * | 7/1999  | Schultz           | D8/343  |
| D424,408  | S * | 5/2000  | Garibay et al.    | D8/353  |
| D429,623  | S * | 8/2000  | De brey et al.    | D8/353  |

(Continued)

*Primary Examiner* — Mark Goodwin

(74) *Attorney, Agent, or Firm* — Don Halgren

(57) **CLAIM**

The ornamental design for an electrical outlet plate, as shown and described.

**DESCRIPTION**

FIG. 1 is a front view of the electrical outlet plate showing my new design, the broken lines showing portions of the electrical outlet plate forming no part of the claimed design;

FIG. 2 is a side view thereof, taken along lines 2-2 of FIG. 1;

FIG. 3 is an opposite side view thereof, taken along lines 3-3 of FIG. 1;

FIG. 4 is an end view thereof, taken along lines 4-4 of FIG. 1;

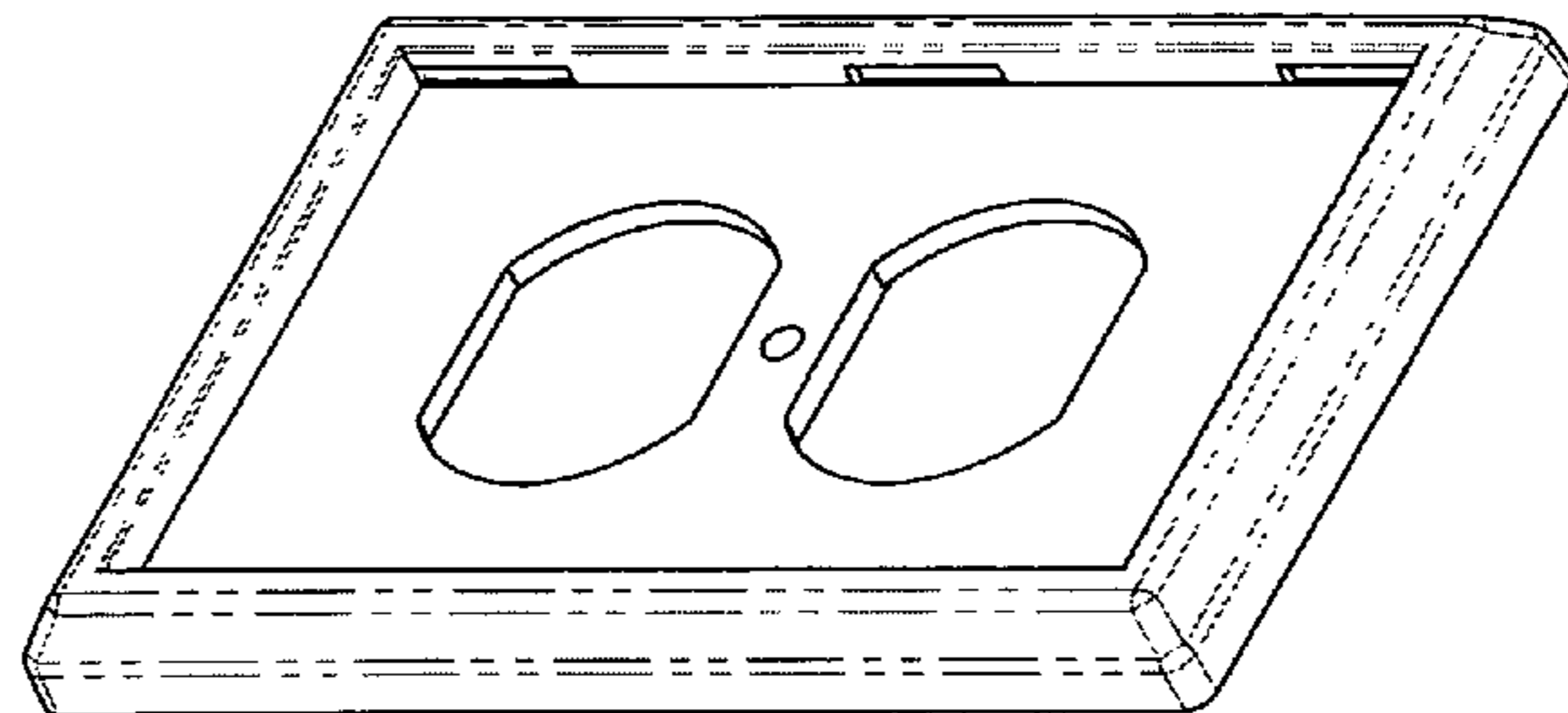
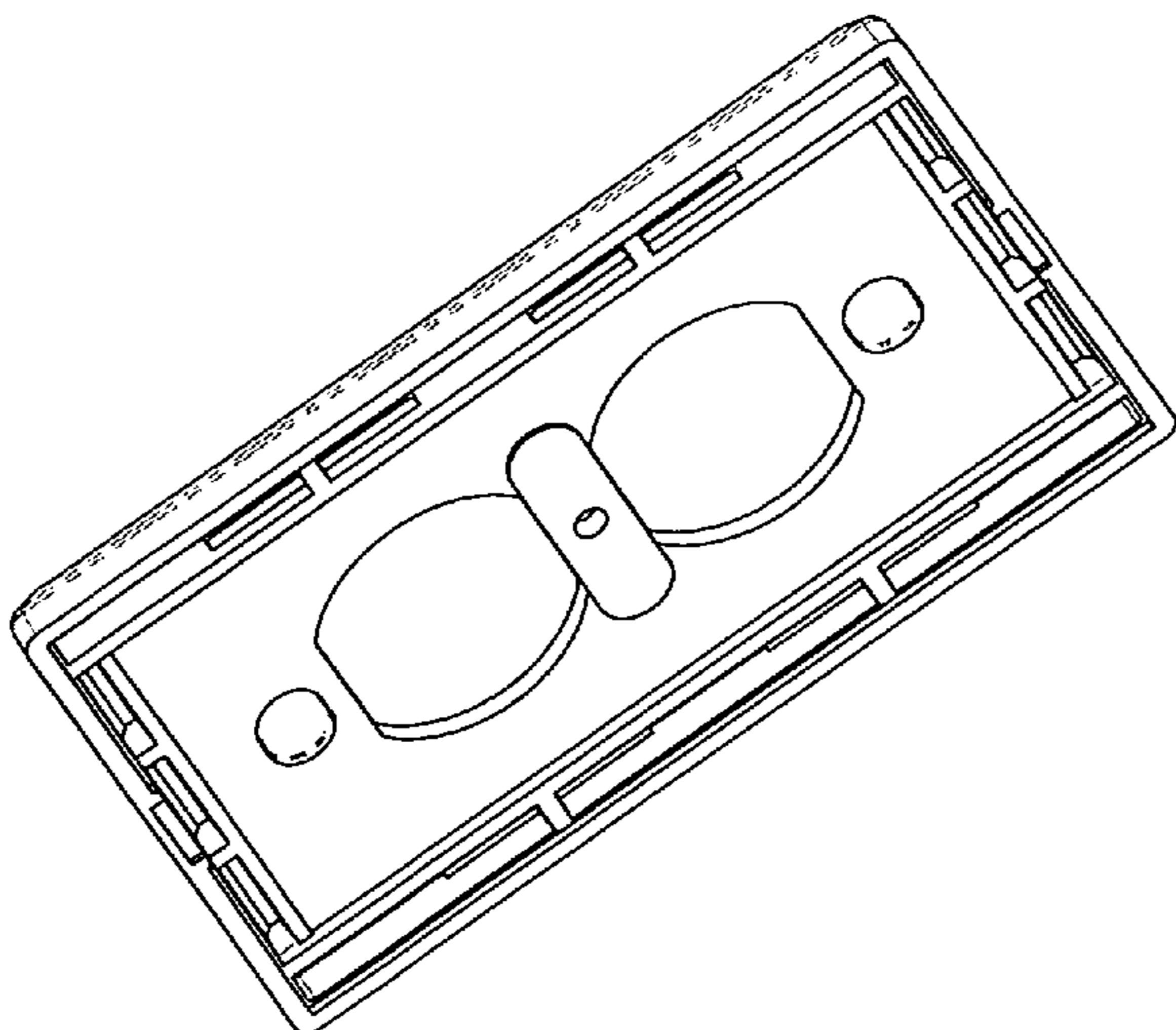
FIG. 5 is an opposite end view thereof, taken along lines 5-5 of FIG. 1;

FIG. 6 is a bottom view thereof

FIG. 7 is a bottom perspective view thereof; and,

FIG. 8 is a front perspective view thereof.

**1 Claim, 3 Drawing Sheets**



# US D666,471 S

Page 2

---

## U.S. PATENT DOCUMENTS

|              |         |                 |        |              |        |                    |         |
|--------------|---------|-----------------|--------|--------------|--------|--------------------|---------|
| D465,144 S * | 11/2002 | Lai .....       | D8/353 | D561,577 S * | 2/2008 | McConnell .....    | D8/353  |
| D476,549 S * | 7/2003  | Shaw .....      | D8/353 | D563,908 S * | 3/2008 | Kohler et al. .... | D13/171 |
| D503,608 S * | 4/2005  | Fields .....    | D8/353 | D564,862 S * | 3/2008 | Lin .....          | D8/353  |
| D534,058 S * | 12/2006 | Fields .....    | D8/353 | D567,633 S * | 4/2008 | Anderson .....     | D8/353  |
| D534,787 S * | 1/2007  | Fields .....    | D8/353 | D596,925 S * | 7/2009 | Kidman .....       | D8/353  |
| D543,091 S * | 5/2007  | Ellbogen .....  | D8/353 | D639,141 S * | 6/2011 | Chen et al. ....   | D8/353  |
| D550,076 S * | 9/2007  | Ni .....        | D8/353 | D639,637 S * | 6/2011 | Marrero .....      | D8/353  |
| D561,560 S * | 2/2008  | McConnell ..... | D8/353 | D642,894 S * | 8/2011 | Soper et al. ....  | D8/353  |

\* cited by examiner

FIG. 2

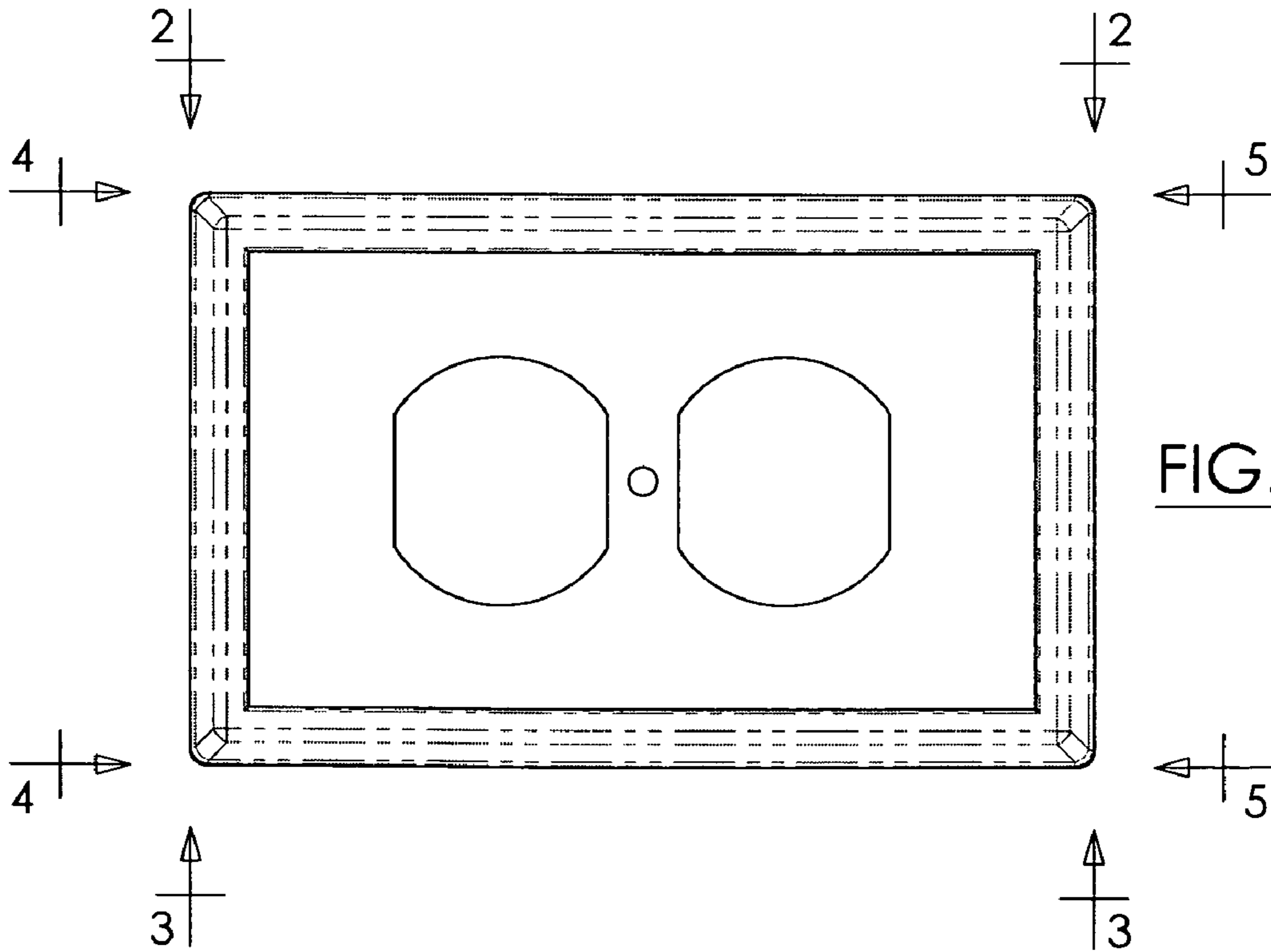
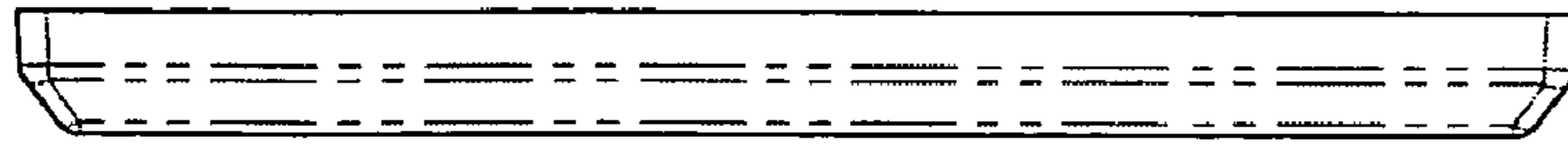
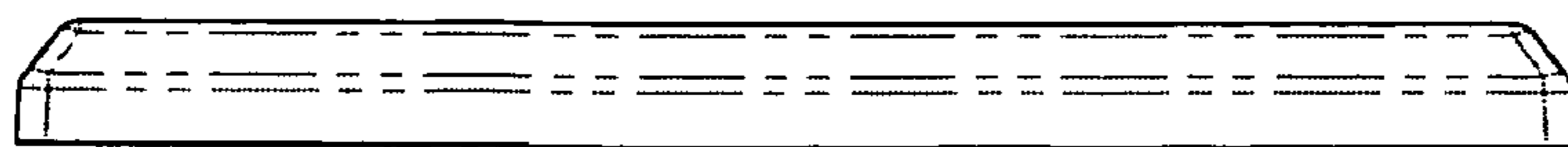


FIG. 1

FIG. 3



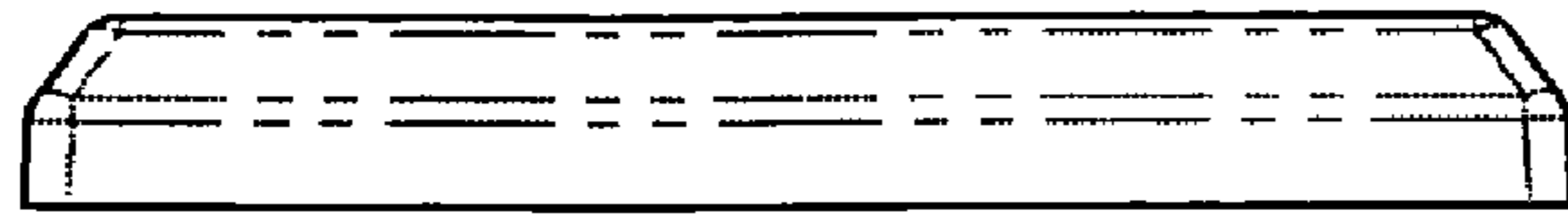


FIG. 4

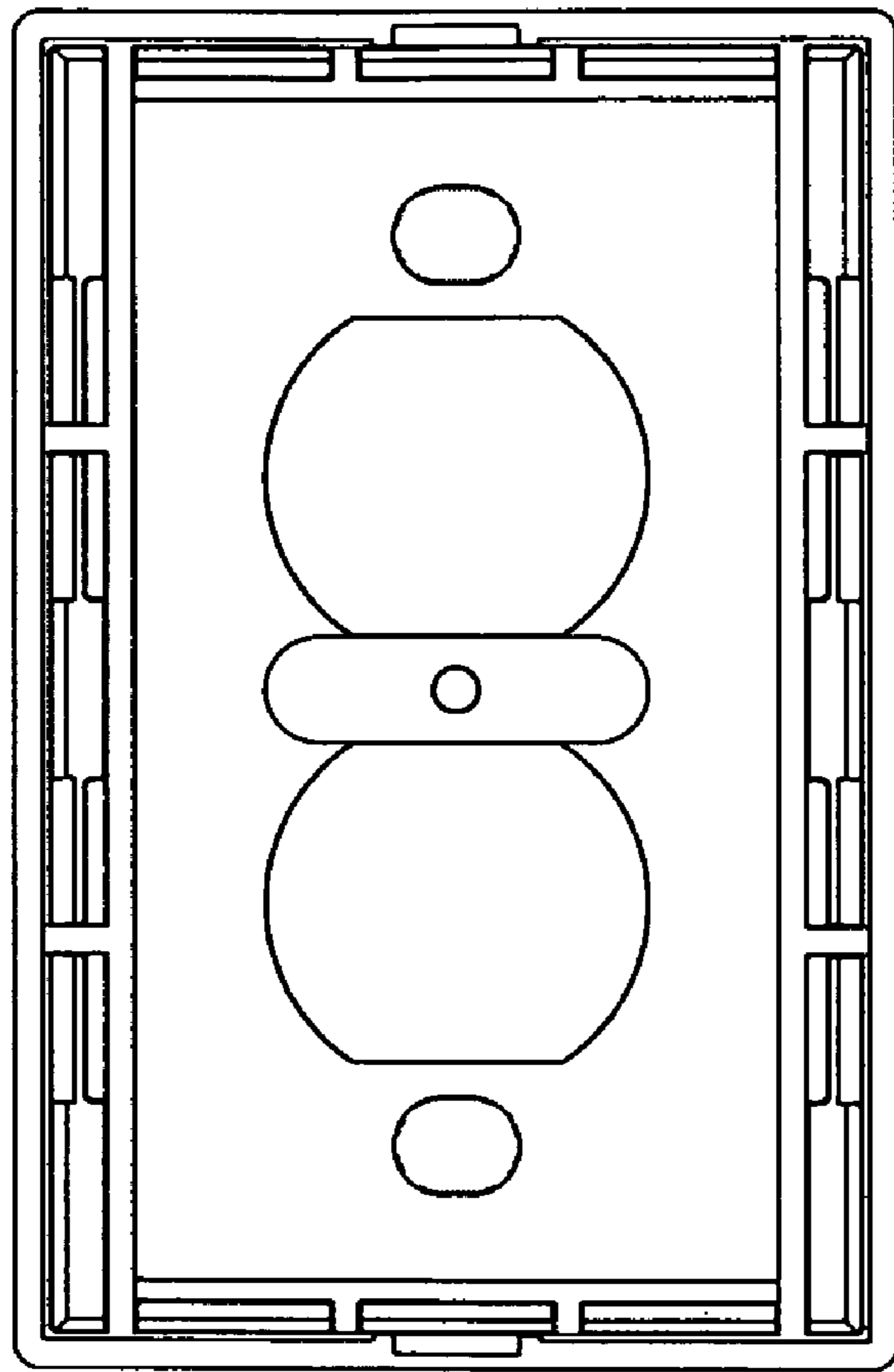


FIG. 6

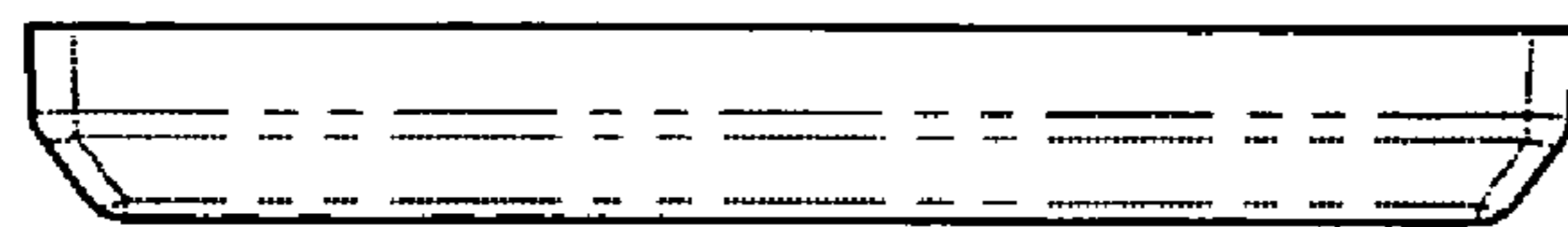


FIG. 5



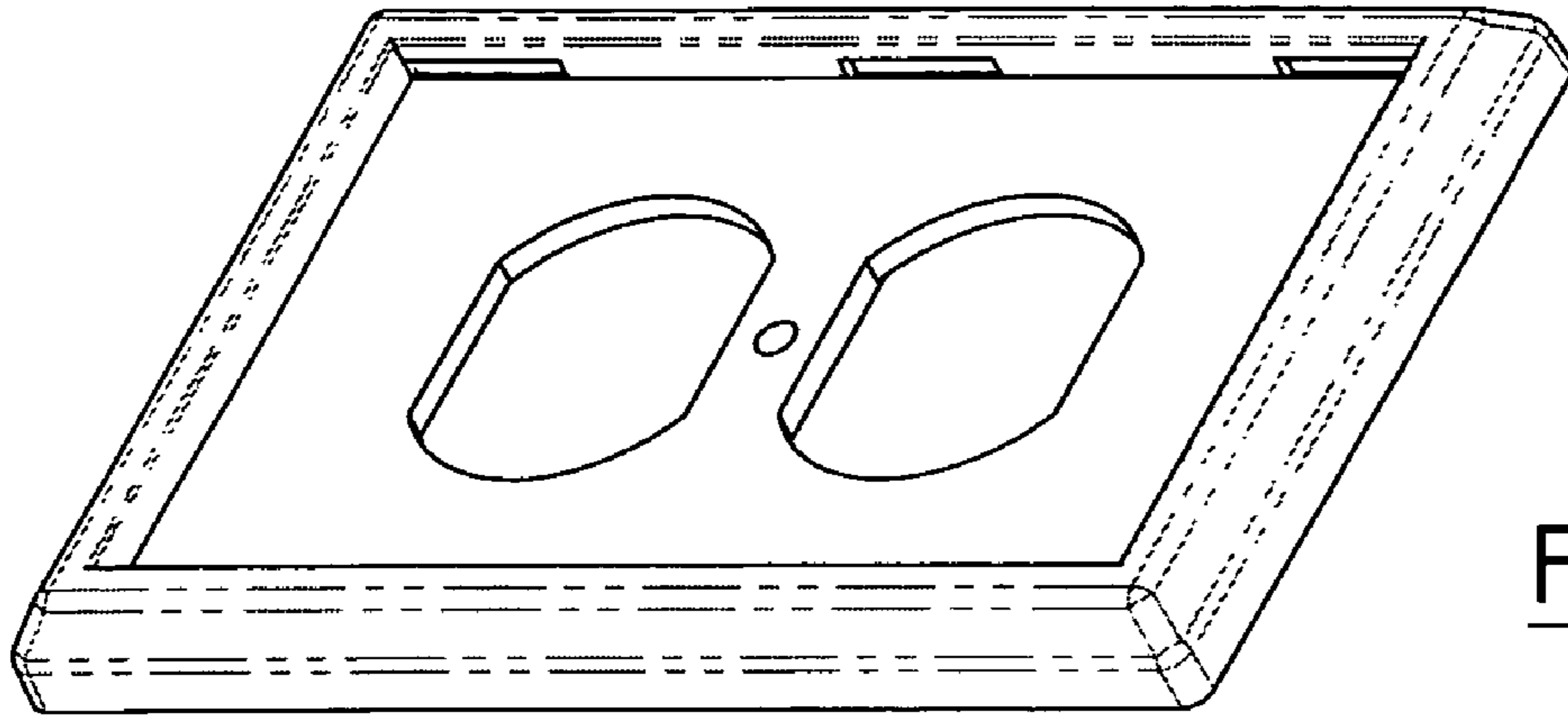


FIG. 8

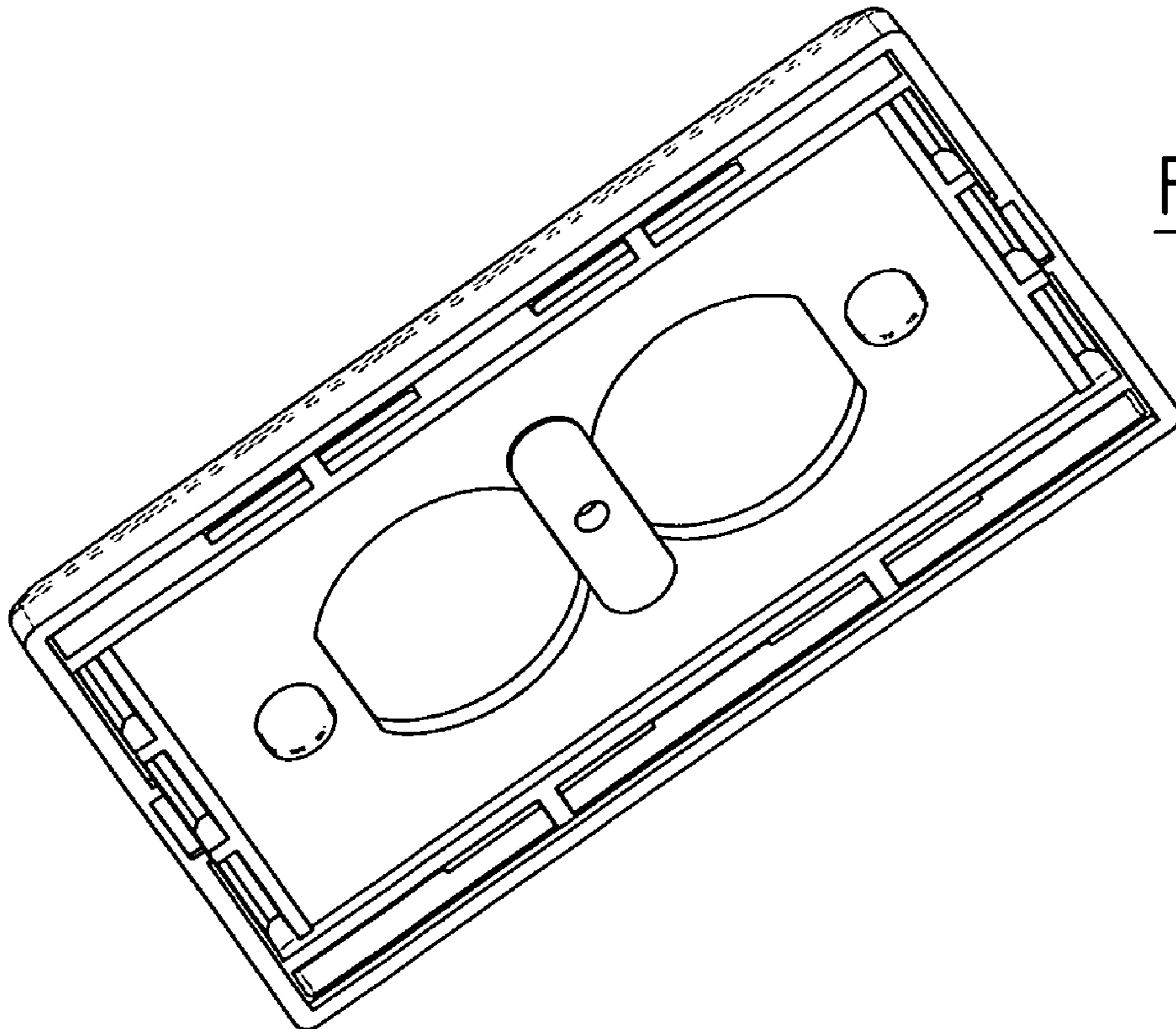


FIG. 7