

US00D666470S

(12) **United States Design Patent**
Biter et al.

(10) **Patent No.:** **US D666,470 S**
(45) **Date of Patent:** **** Sep. 4, 2012**

(54) **LATCH FOR A CRIB**
(75) Inventors: **Jason Biter**, Medina, OH (US); **David E. Campbell**, Westfield Center, OH (US)
(73) Assignee: **Foundations Worldwide, Inc.**, Medina, OH (US)
(**) Term: **14 Years**

5,201,085 A	4/1993	Shamie	
D366,778 S	2/1996	Pollard	
5,715,551 A	2/1998	Proano et al.	
6,088,851 A	7/2000	Draheim	
6,817,046 B1	11/2004	Srouf et al.	
7,376,986 B2	5/2008	Smith et al.	
7,452,153 B2 *	11/2008	Jensen	403/49
7,458,744 B2 *	12/2008	Hall	403/187
D595,111 S *	6/2009	Jones et al.	D8/337
7,905,525 B2 *	3/2011	Badia	292/262

(21) Appl. No.: **29/393,681**
(22) Filed: **Jun. 8, 2011**
(51) **LOC (9) Cl.** **08-07**
(52) **U.S. Cl.** **D8/331; D8/343**
(58) **Field of Classification Search** D8/330, D8/331, 336, 339, 343, 349, 400, 403; 70/57, 70/57.1, 78, 141, 465, 466; 292/289, 292, 292/298, 306, 336.3, 338, 340, 358, 359, 292/DIG. 7, DIG. 27, DIG. 30; 5/93.1, 92.2, 5/100, 428, 424
See application file for complete search history.

OTHER PUBLICATIONS

Convertible "Kathryn" Crib Instruction Sheet, Jun. 2003.

* cited by examiner

Primary Examiner — Prabhakar Deshmukh
(74) *Attorney, Agent, or Firm* — Christopher L. Parmelee; Walker & Jocke

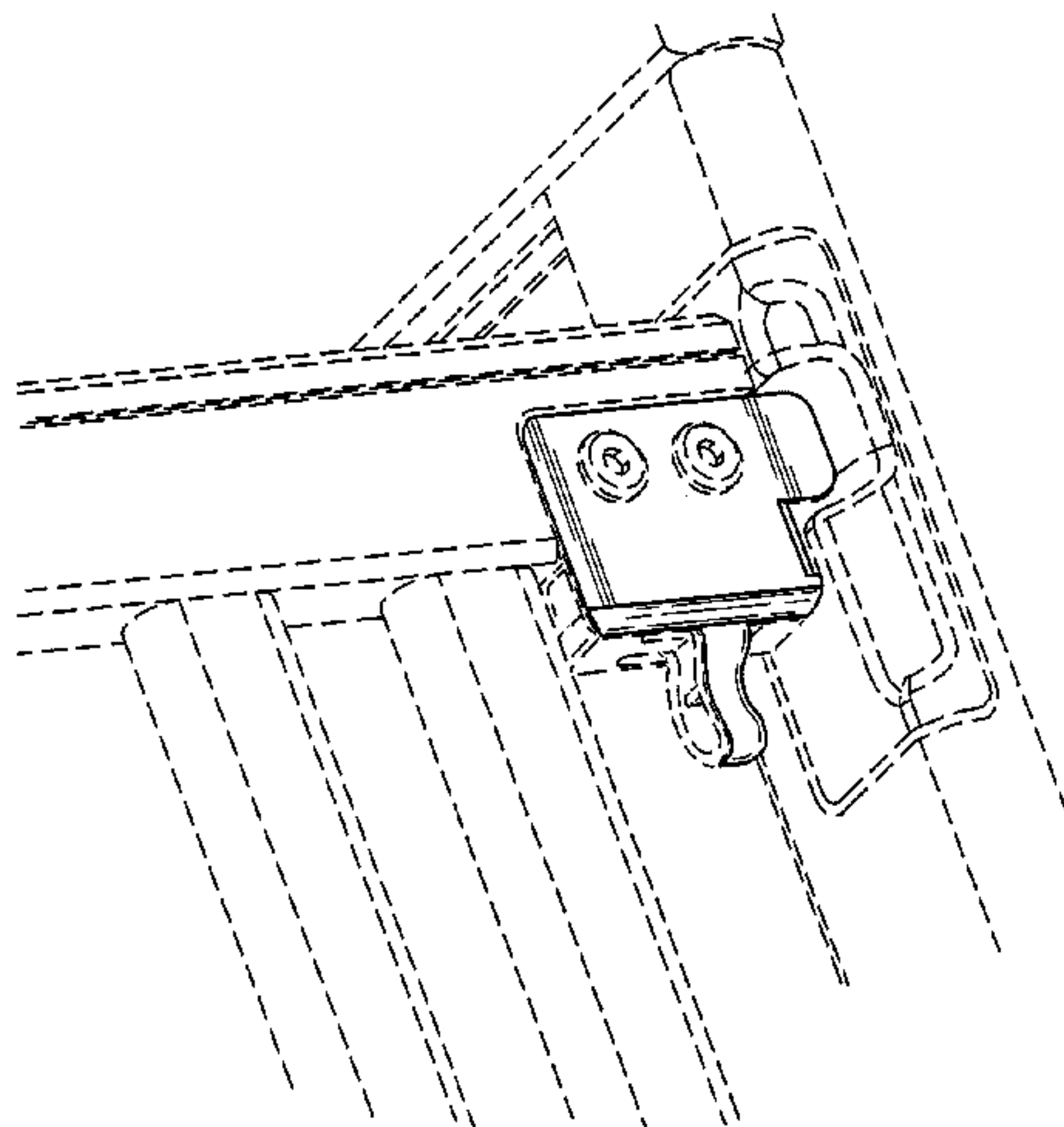
(57) **CLAIM**
The ornamental design for a latch for a crib, as shown and described.

DESCRIPTION

(56) **References Cited**
U.S. PATENT DOCUMENTS
1,622,387 A * 3/1927 Marquardt 292/170
1,705,851 A * 3/1929 Bukolt 5/100
3,590,403 A 7/1971 Mixon
3,634,894 A 1/1972 Harbison
3,649,973 A * 3/1972 Benoit et al. 5/100
3,846,854 A * 11/1974 Bryant 5/100
3,896,513 A 7/1975 Boucher et al.
3,896,514 A * 7/1975 Feldstein 5/100
3,934,282 A 1/1976 Bryant
4,226,452 A * 10/1980 Hoffman et al. 292/175
4,706,312 A * 11/1987 Shamie 5/93.1
4,752,977 A 6/1988 Smith et al.
4,765,004 A 8/1988 Kessel
4,768,243 A 9/1988 Waples
D302,240 S * 7/1989 Zell D8/381
5,040,254 A 8/1991 Frank
5,068,932 A 12/1991 Chang
5,072,464 A 12/1991 Draheim et al.
5,077,846 A 1/1992 Wheeler, III et al.
D329,799 S * 9/1992 Conklin D8/331

FIG. 1 is a top front perspective view of a latch for a crib showing our new design;
FIG. 2 is a bottom front perspective view thereof;
FIG. 3 is a front elevational view thereof;
FIG. 4 is a rear elevational view thereof;
FIG. 5 is a right side elevational view thereof;
FIG. 6 is a top plan view thereof;
FIG. 7 is a bottom plan view thereof;
FIG. 8 is a cross-sectional view thereof, taken along line 8-8 of FIG. 6;
FIG. 9 is an enlarged front elevational view of a right side portion of a latch for a crib, the left side portion being a mirror image thereof; and,
FIG. 10 is a bottom front perspective view of FIG. 9.
The broken lines adjacent the shaded areas represent the boundary of the claimed design. Other broken lines represent the environmental subject matters. None of the broken lines form part of the claimed design.

1 Claim, 10 Drawing Sheets



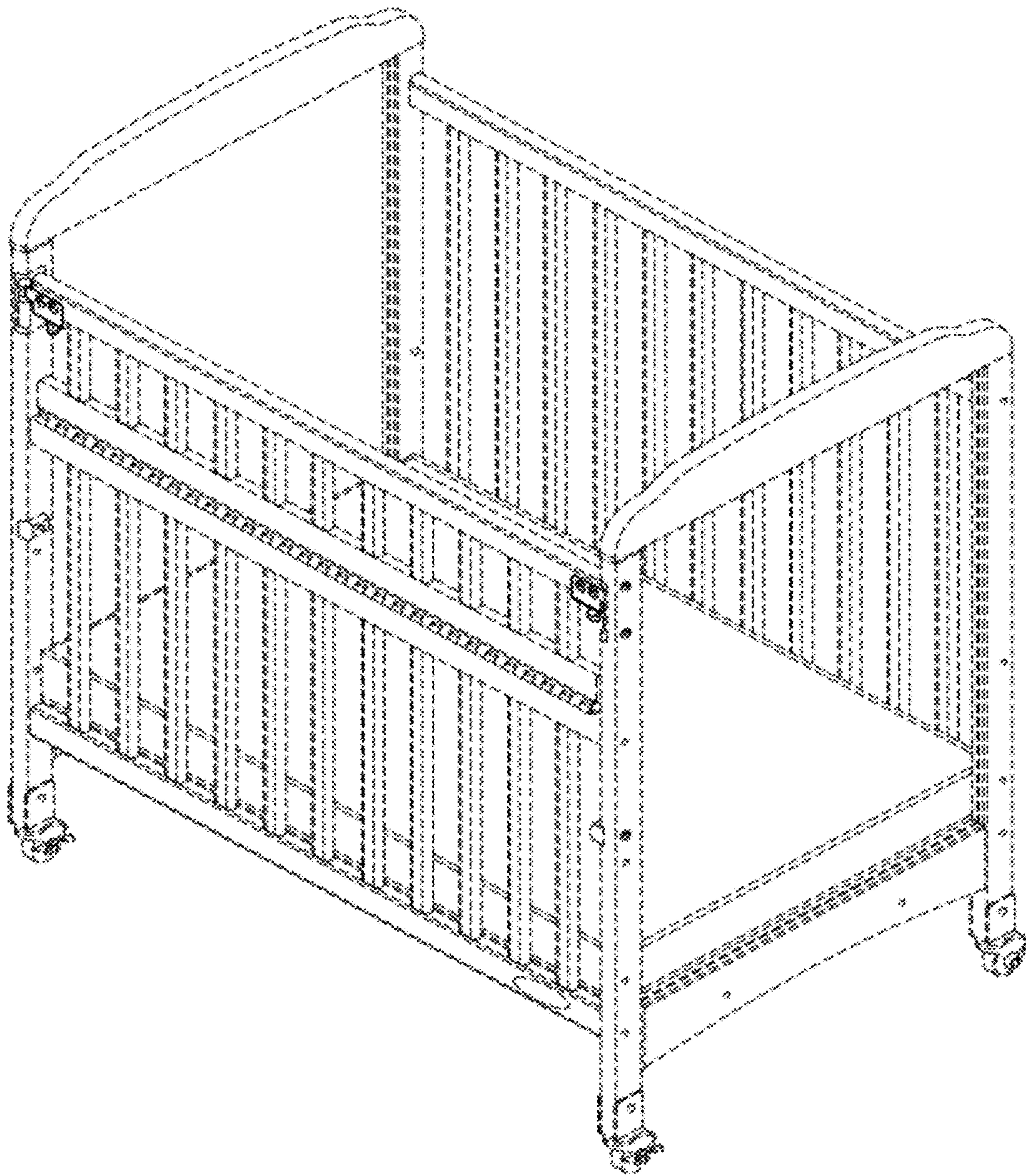


FIG. 1

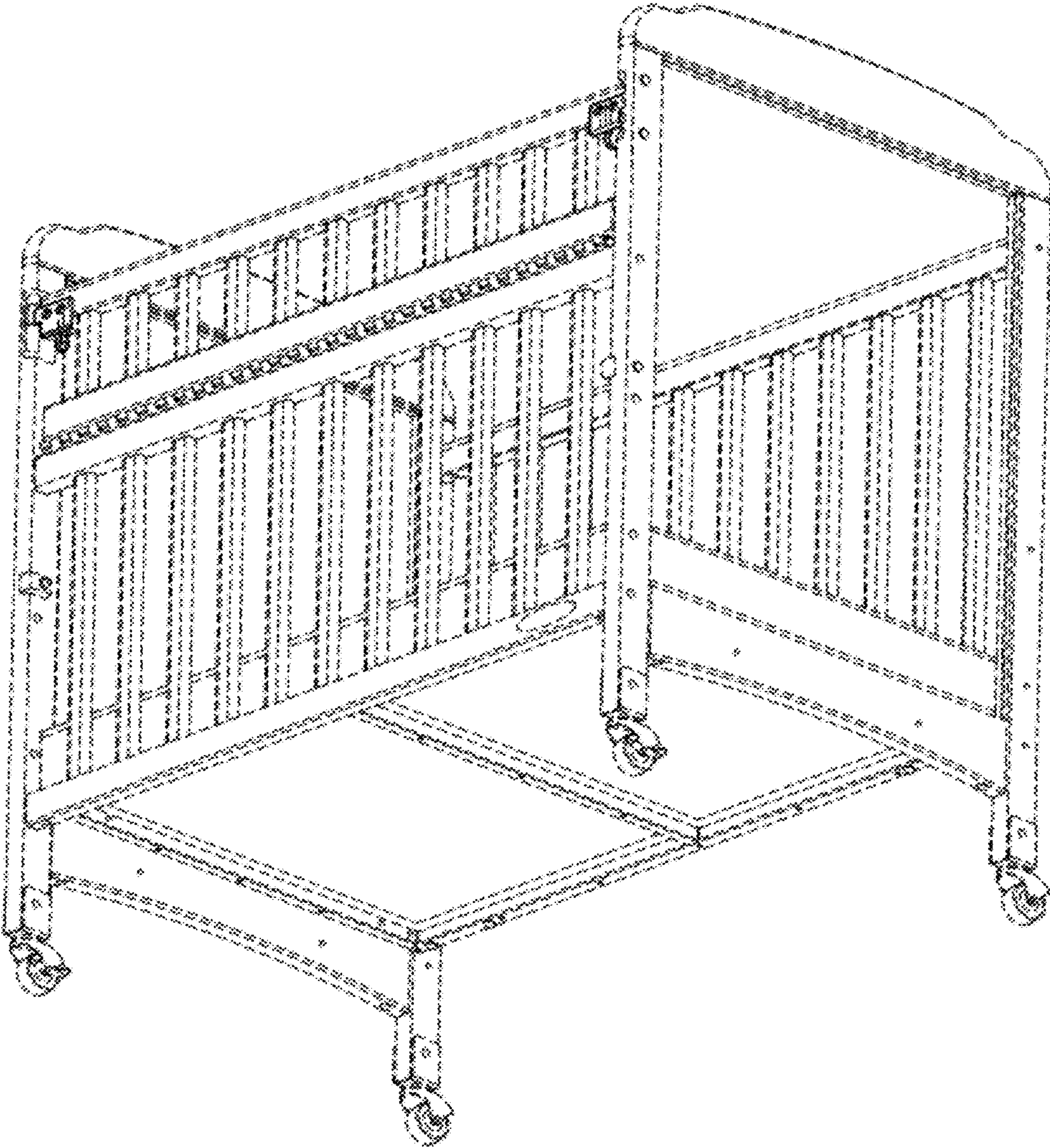


FIG. 2

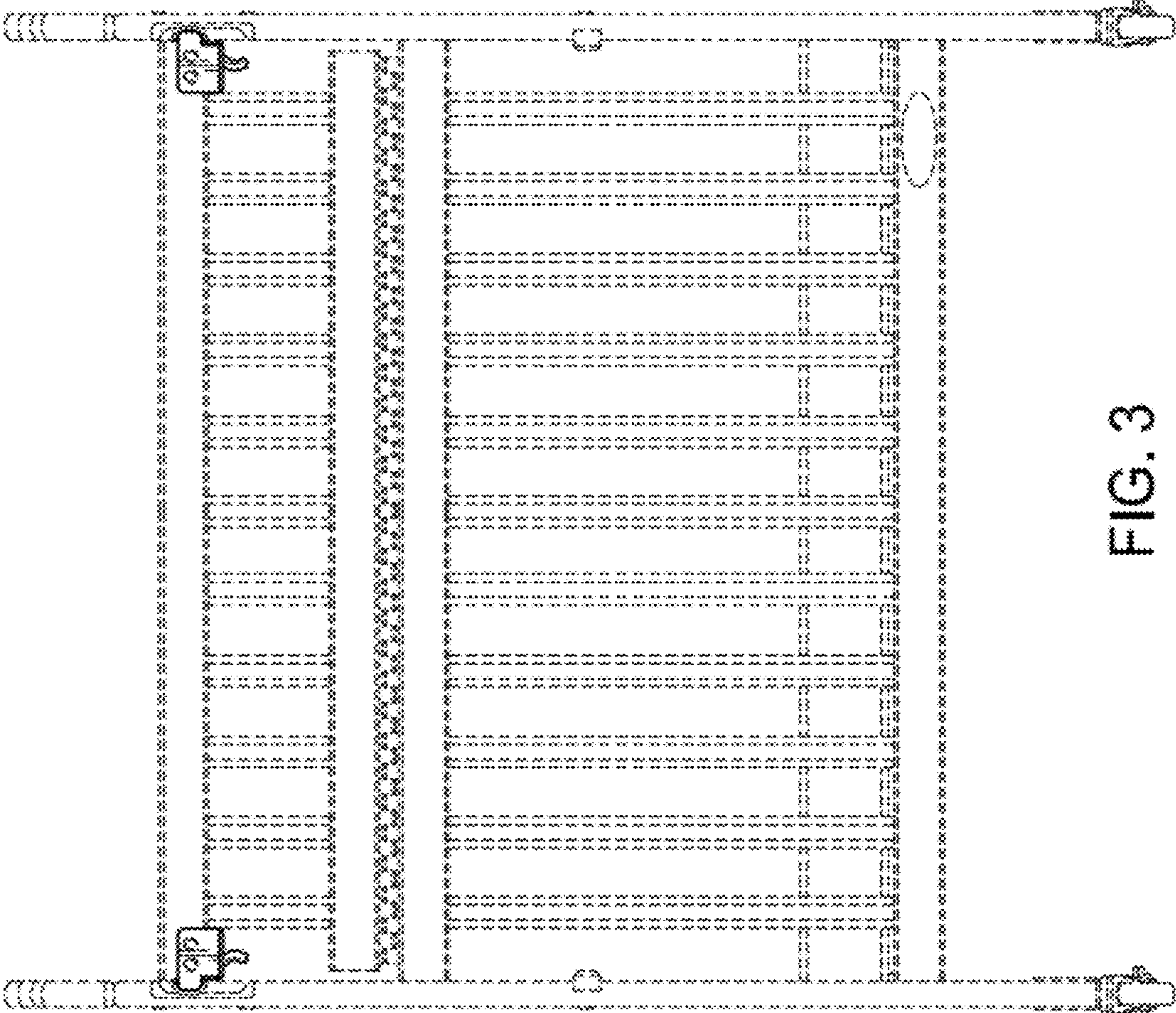


FIG. 3

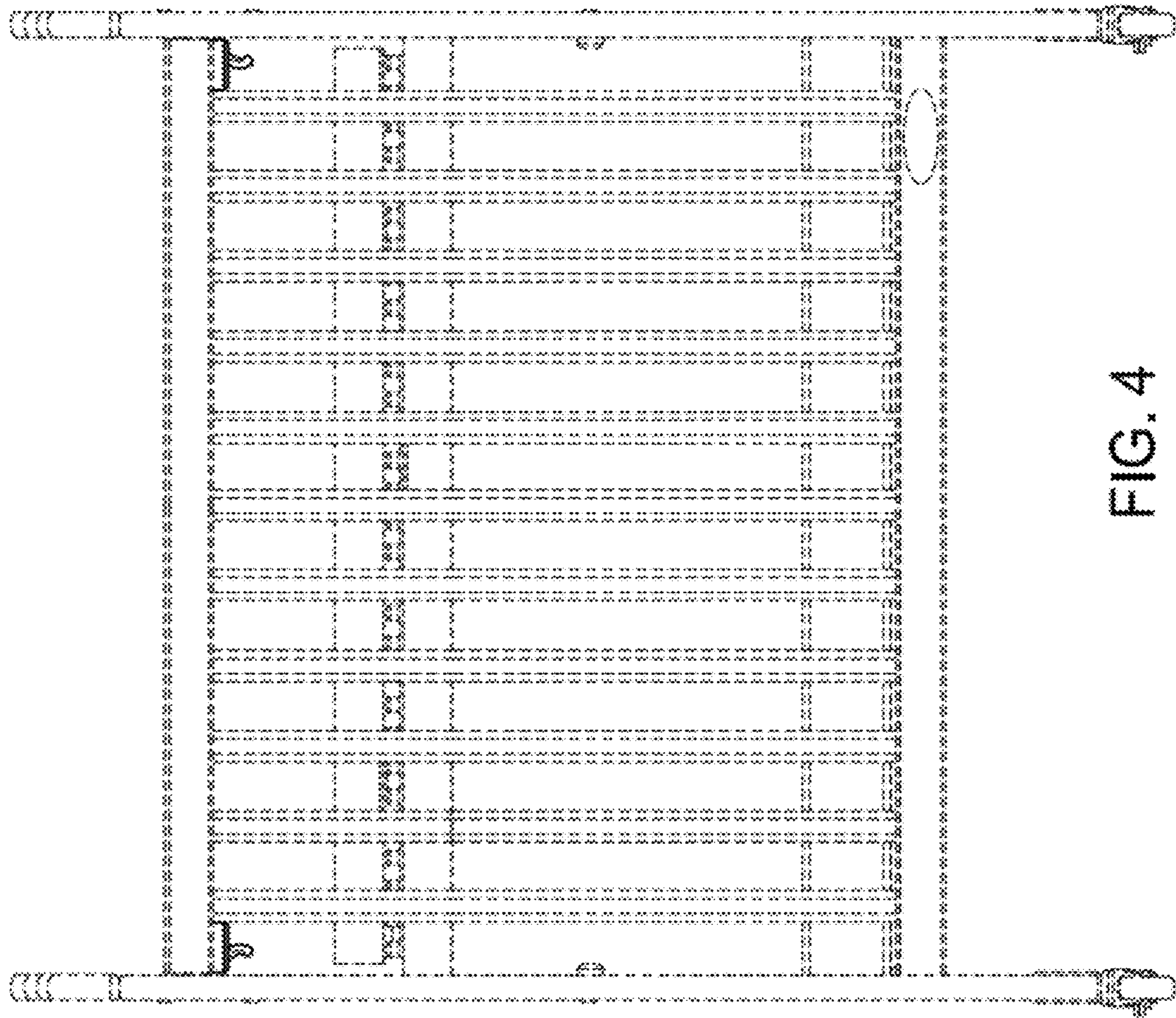


FIG. 4

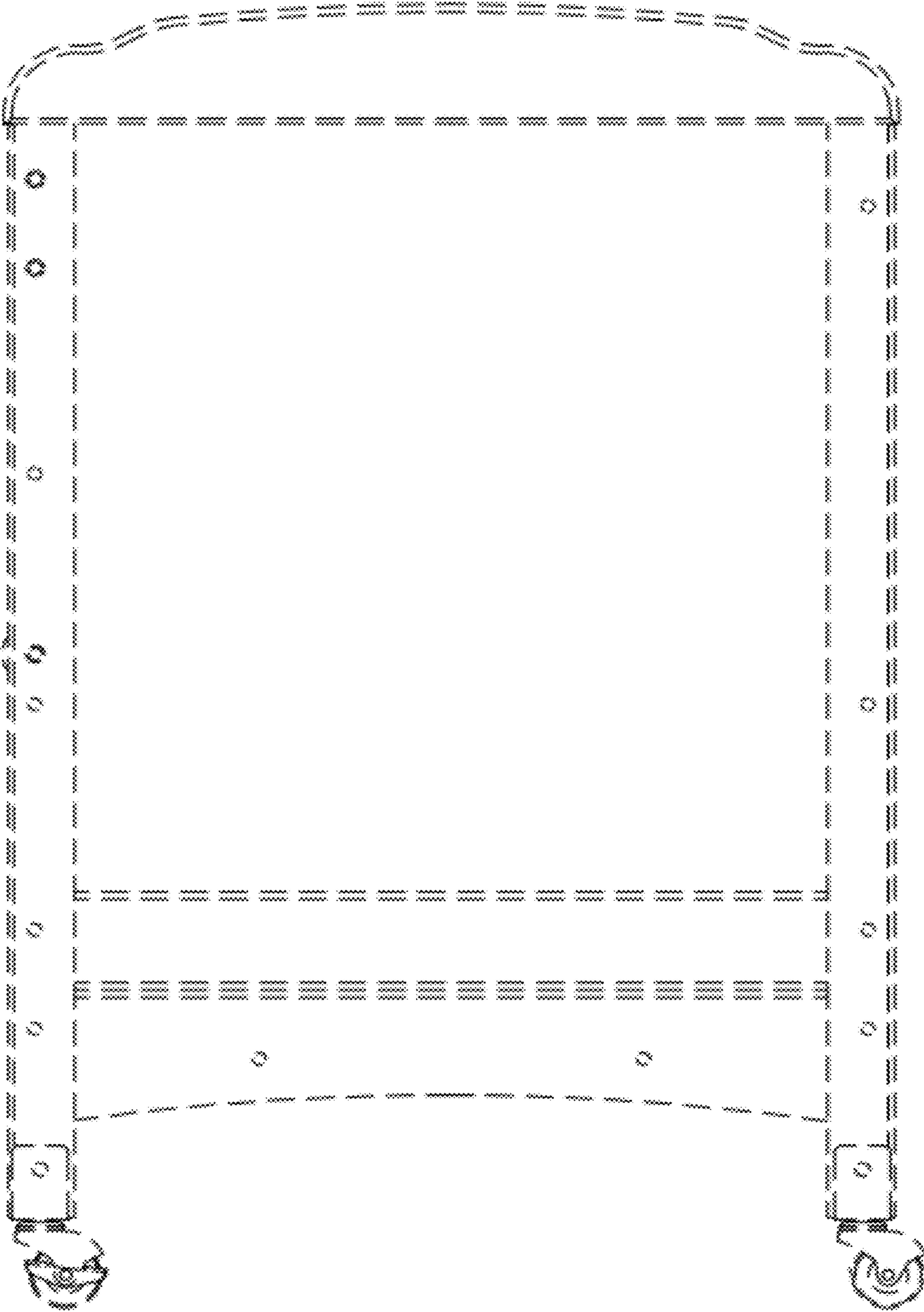


FIG. 5

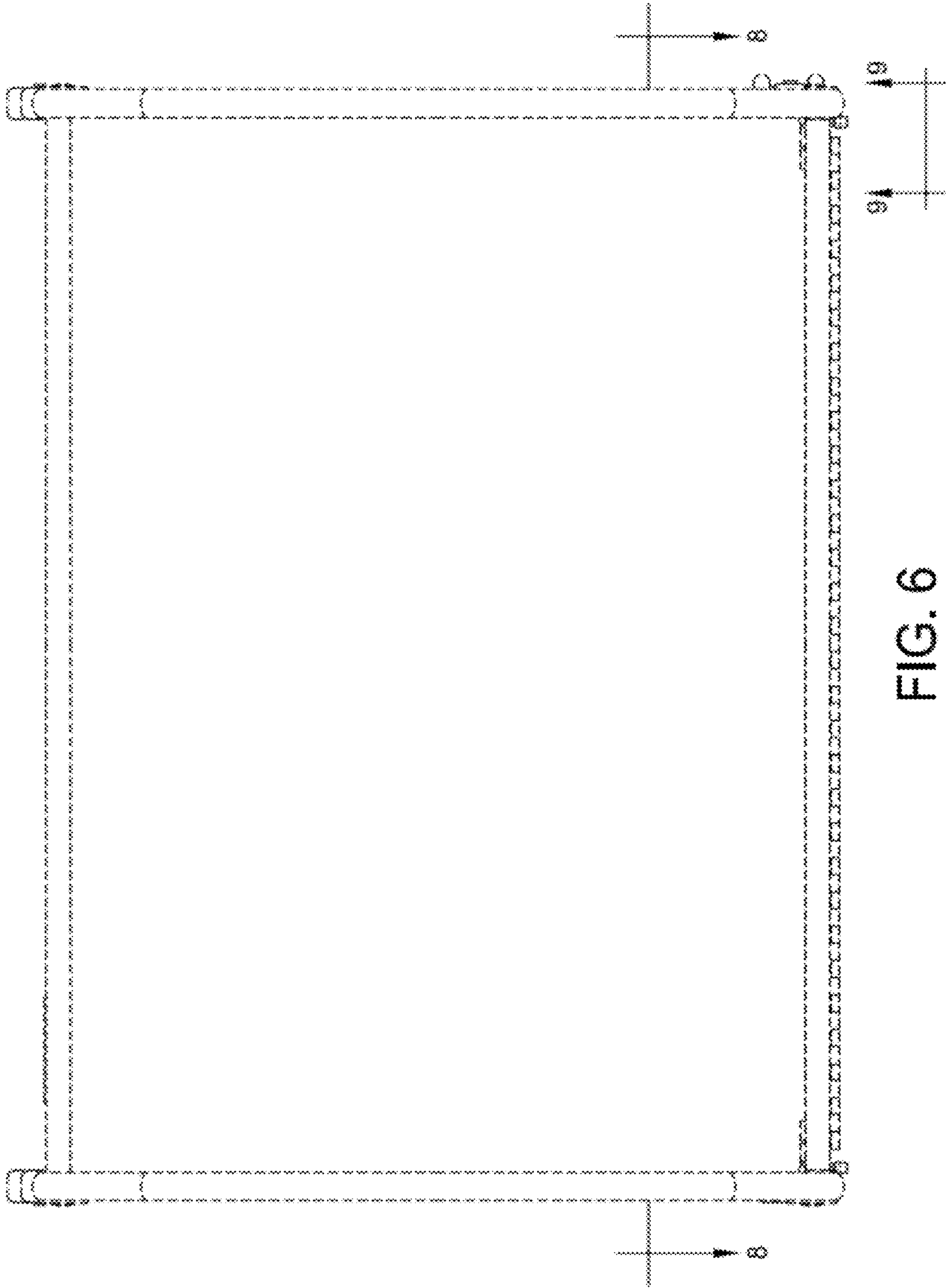


FIG. 6

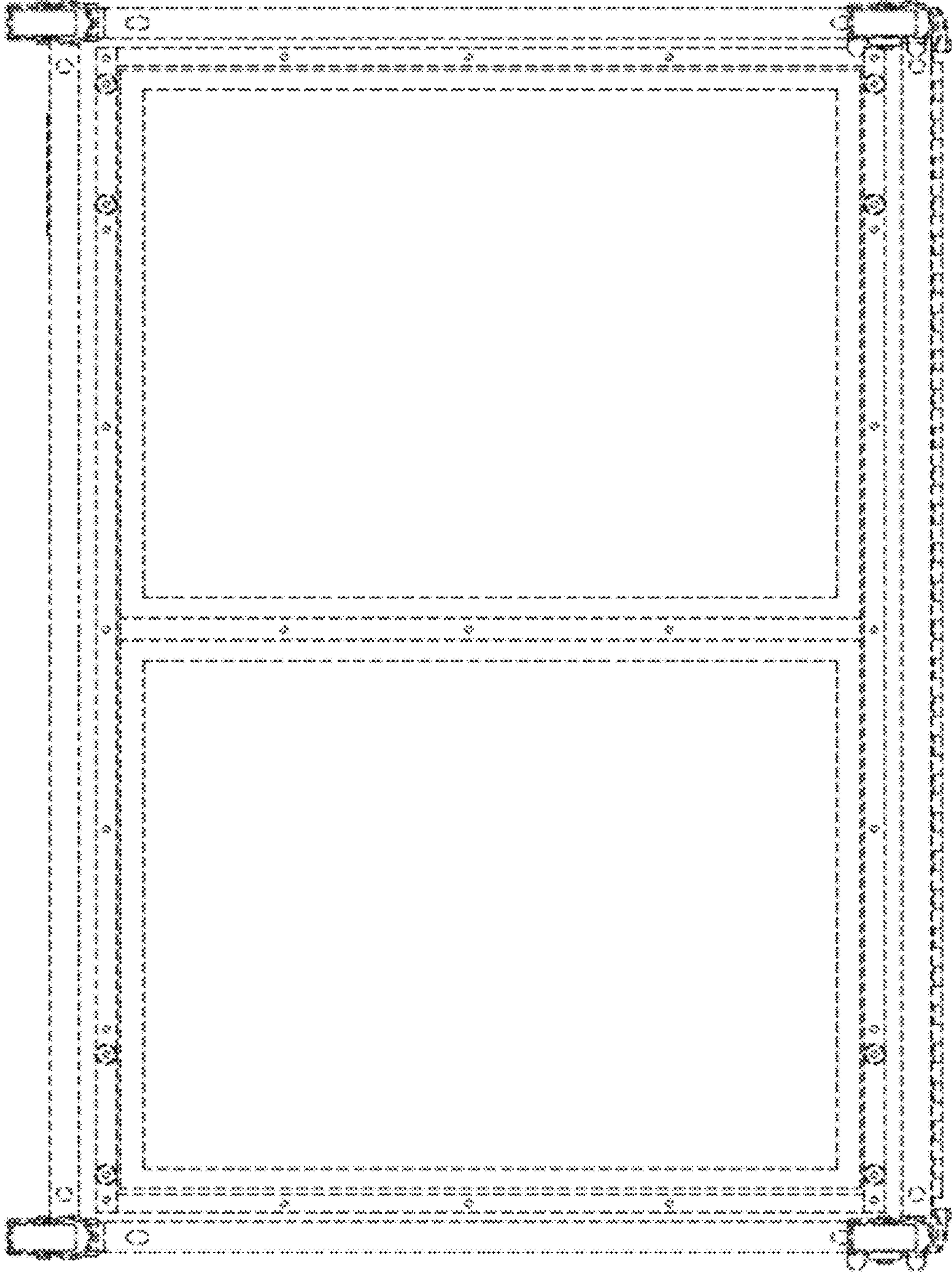


FIG. 7

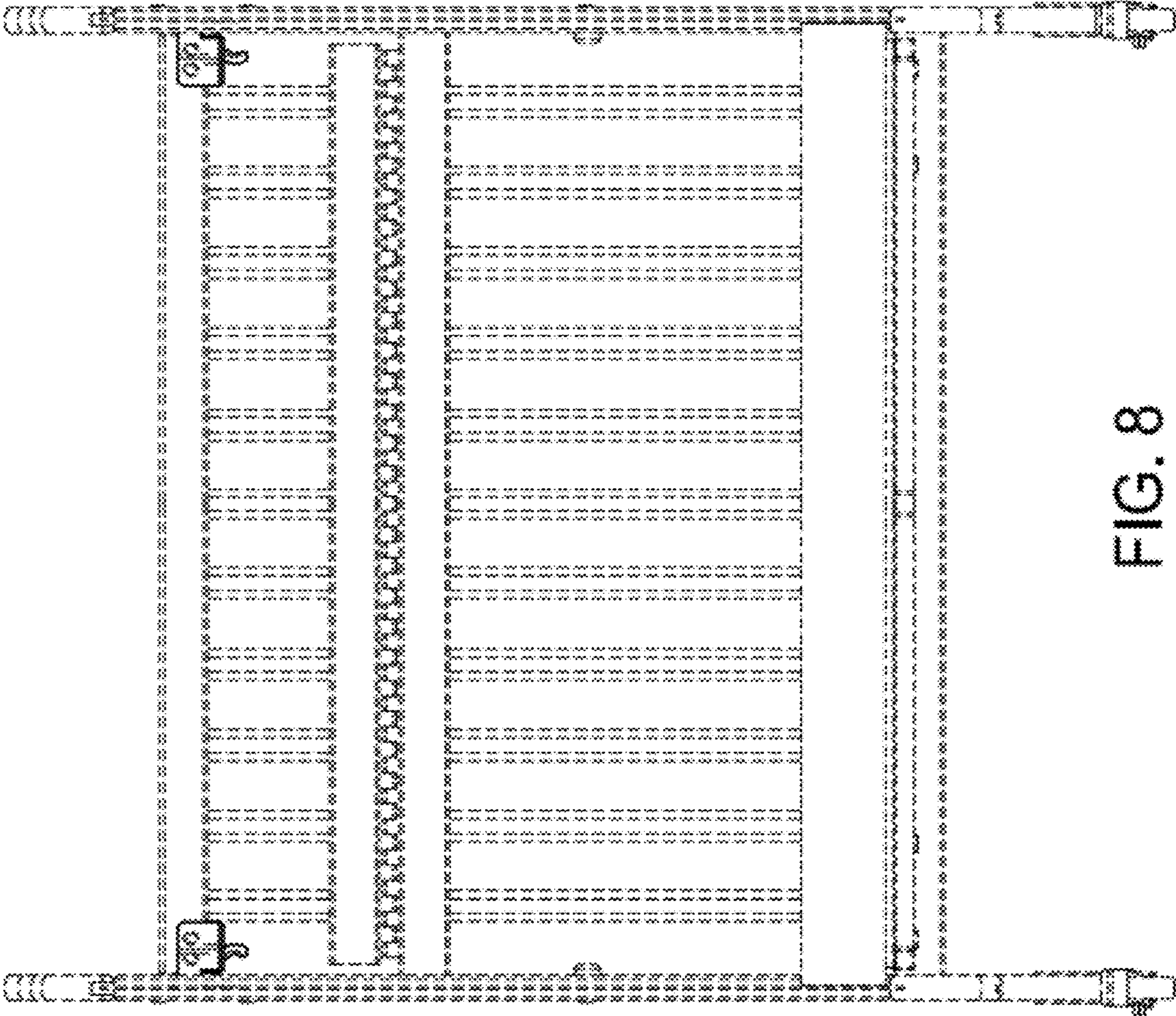


FIG. 8

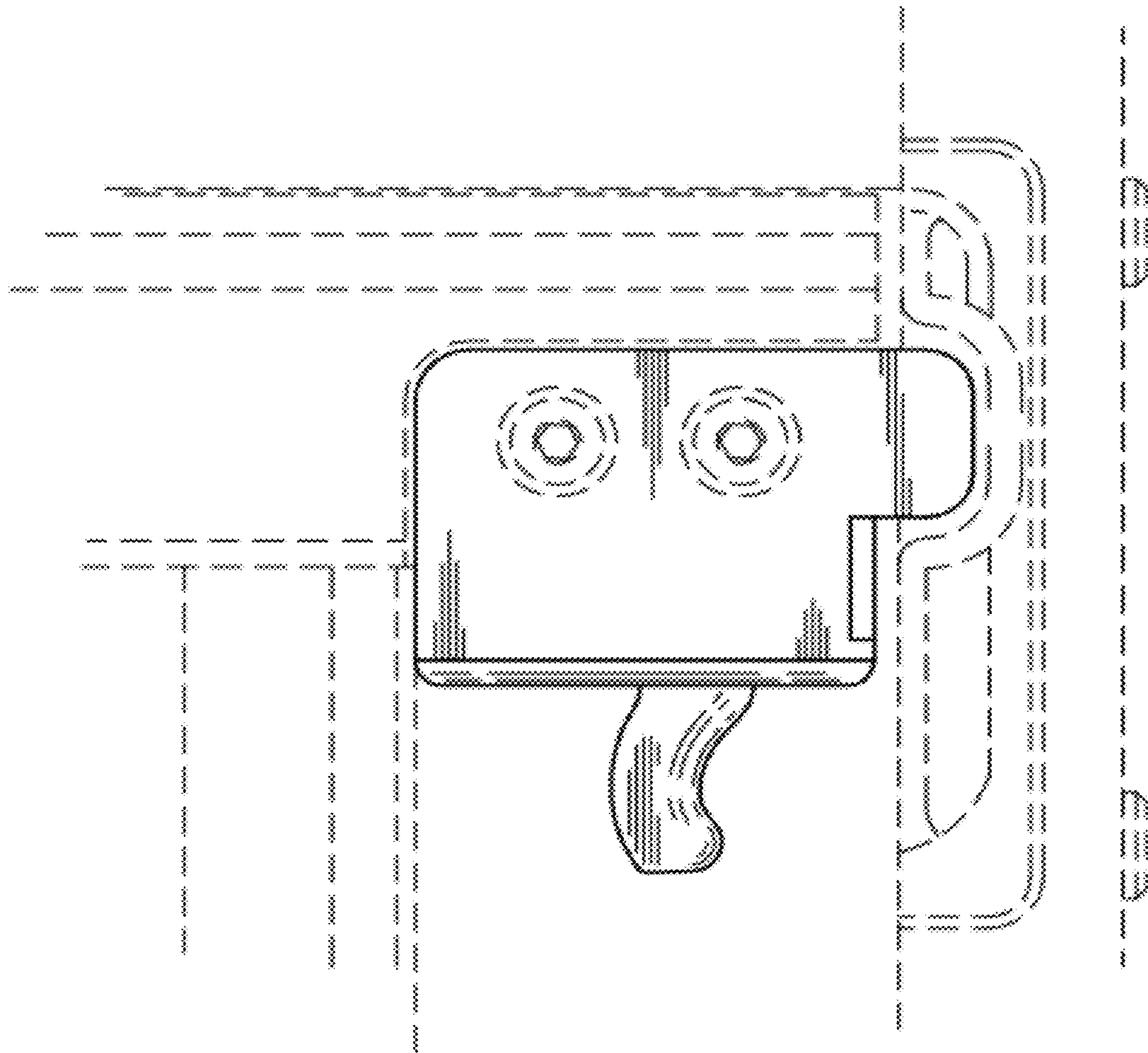


FIG. 9

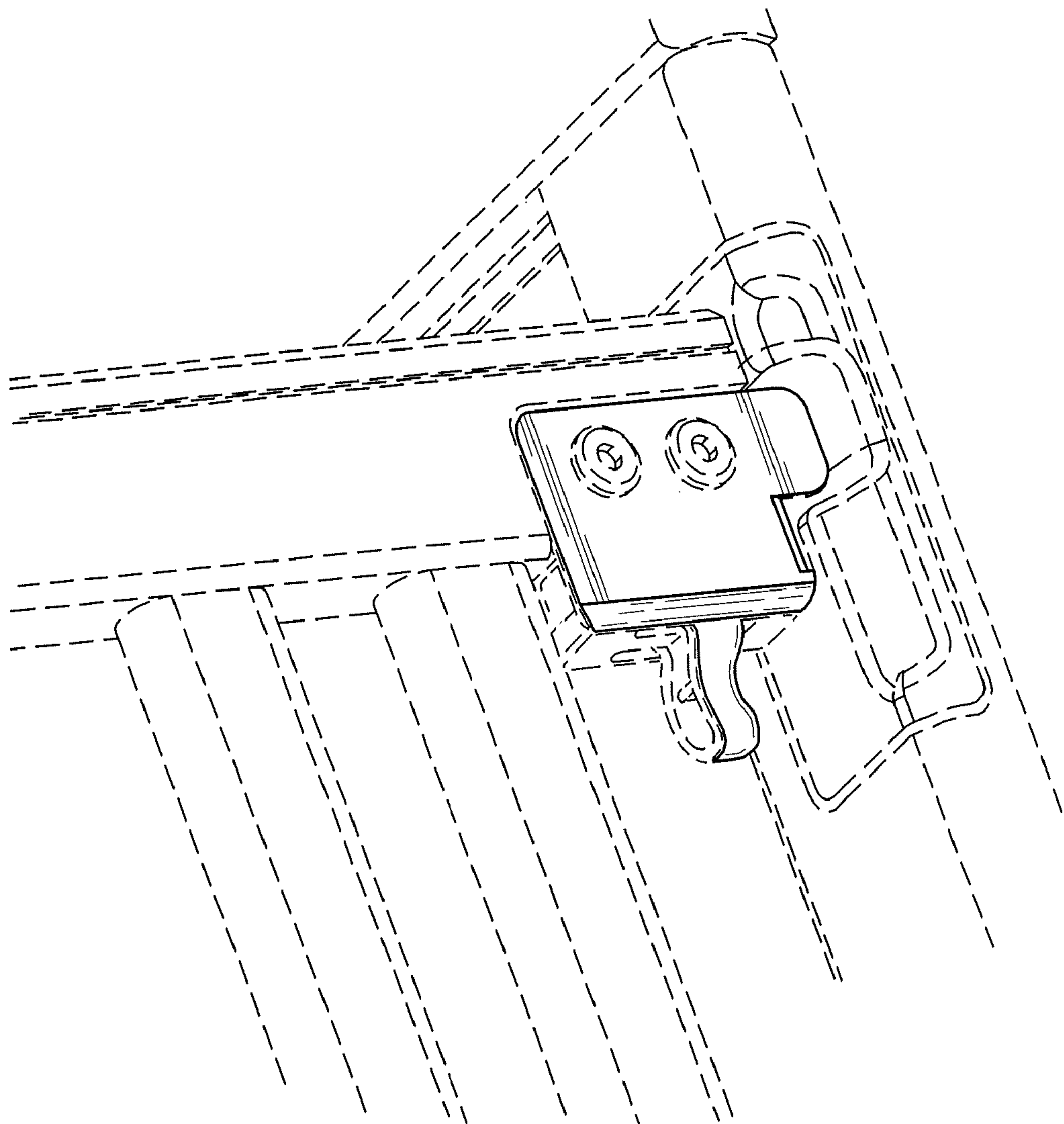


FIG. 10