

US00D666469S

(12) **United States Design Patent**
Melanson

(10) **Patent No.:** **US D666,469 S**

(45) **Date of Patent:** **** Sep. 4, 2012**

(54) **DRYWALL SHEET REMOVAL TOOL**

(75) Inventor: **Charles J. Melanson**, Lake Park, FL
(US)

(73) Assignee: **Inventions Unlimited, Inc.**, Lake Park,
FL (US)

(**) Term: **14 Years**

(21) Appl. No.: **29/393,367**

(22) Filed: **Jun. 3, 2011**

Related U.S. Application Data

(63) Continuation-in-part of application No. 13/070,539,
filed on Mar. 24, 2011.

(51) **LOC (9) Cl.** **08-05**

(52) **U.S. Cl.** **D8/89**

(58) **Field of Classification Search** D8/13,
D8/14, 88, 89; 7/166; 254/12, 17, 25, 113,
254/120, 131

See application file for complete search history.

(56) **References Cited**

U.S. PATENT DOCUMENTS

D33,035	S *	7/1900	Hallock	D8/88
1,309,734	A *	7/1919	Hemfling, Sr.	254/131
1,559,976	A *	11/1925	Ness	254/131
2,212,716	A *	8/1940	Noble et al.	254/131
2,374,530	A *	4/1945	Fiebke, Sr.	254/120
2,680,003	A *	6/1954	Feinstein	254/131
3,049,337	A *	8/1962	Griggs	254/131
D211,755	S *	7/1968	Yeager	D8/89
D214,988	S *	8/1969	Isley	D8/89
D236,872	S *	9/1975	Froehlich	D8/89
D270,895	S *	10/1983	Holloway	D8/89
5,165,659	A *	11/1992	L'Heureux	254/17
D341,070	S *	11/1993	Warren	D8/89
D359,434	S *	6/1995	Gibson	D8/89
D368,416	S *	4/1996	Holman et al.	D8/31
5,642,591	A *	7/1997	Eddie	52/127.2
D383,662	S *	9/1997	Ackerman	D8/89

D386,057	S *	11/1997	Hreha	D8/89
5,813,295	A *	9/1998	Jensen, Jr.	81/45
5,907,940	A *	6/1999	Eddie	52/745.05
6,058,809	A *	5/2000	Flanz	81/45
6,086,048	A *	7/2000	Owen	254/17
D458,104	S *	6/2002	Halstead et al.	D8/88
6,962,326	B2 *	11/2005	Else	254/25
D532,273	S *	11/2006	Yoson	D8/88
7,311,293	B2 *	12/2007	Mrugalski, Jr.	254/25
D591,578	S *	5/2009	Harpell	D8/89
D593,837	S *	6/2009	Lindskog	D8/89
D618,978	S *	7/2010	Nolle	D8/89
2002/0134971	A1 *	9/2002	Christensen	254/25

* cited by examiner

Primary Examiner — Philip S Hyder

Assistant Examiner — Roselynn Ulm Cody

(74) *Attorney, Agent, or Firm* — Nancy J. Flint, Esq.; Nancy
J. Flint, Attorney At Law, P.A.

(57) **CLAIM**

The ornamental design for a drywall sheet removal tool, as
shown and described.

DESCRIPTION

FIG. 1 is a left front perspective view of a drywall sheet
removal tool according to my new design;

FIG. 2 is a front view of a drywall sheet removal tool accord-
ing to my new design;

FIG. 3 is a back view of a drywall sheet removal tool accord-
ing to my new design;

FIG. 4 is a left side view of a drywall sheet removal tool
according to my new design;

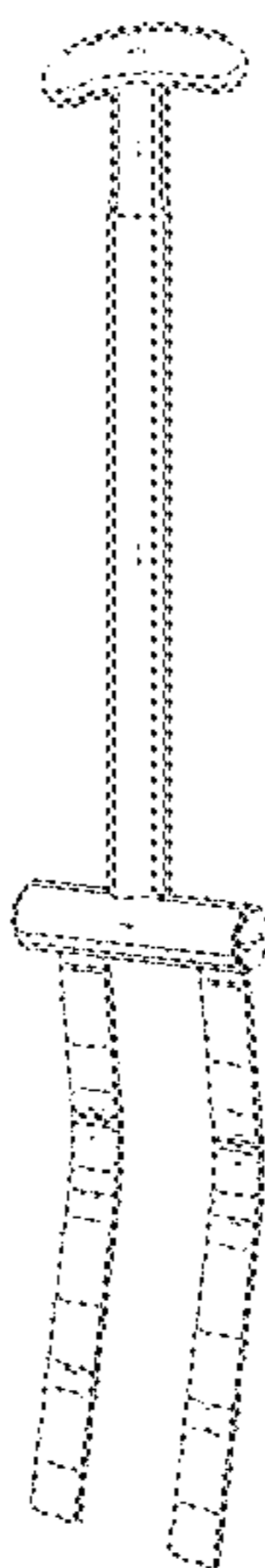
FIG. 5 is a right side view of a drywall sheet removal tool
according to my new design;

FIG. 6 is a top view of a drywall sheet removal tool according
to my new design; and,

FIG. 7 is a bottom view of a drywall sheet removal tool
according to my new design.

Any broken line illustration of environmental structure in the
drawings is not part of the design sought to be patented.

1 Claim, 4 Drawing Sheets



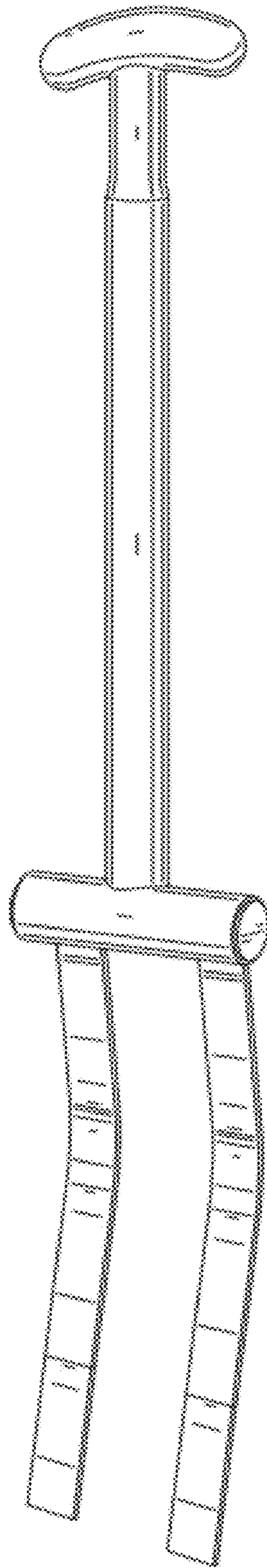


FIG. 1

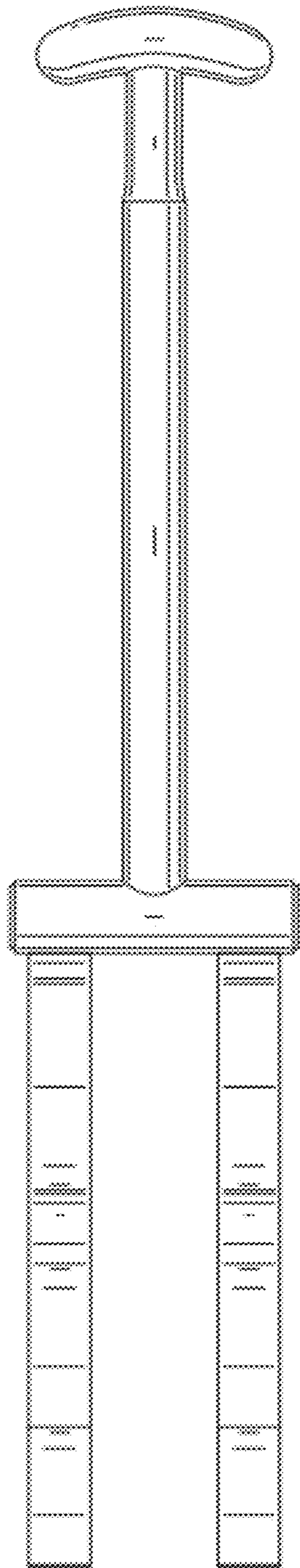


FIG. 2

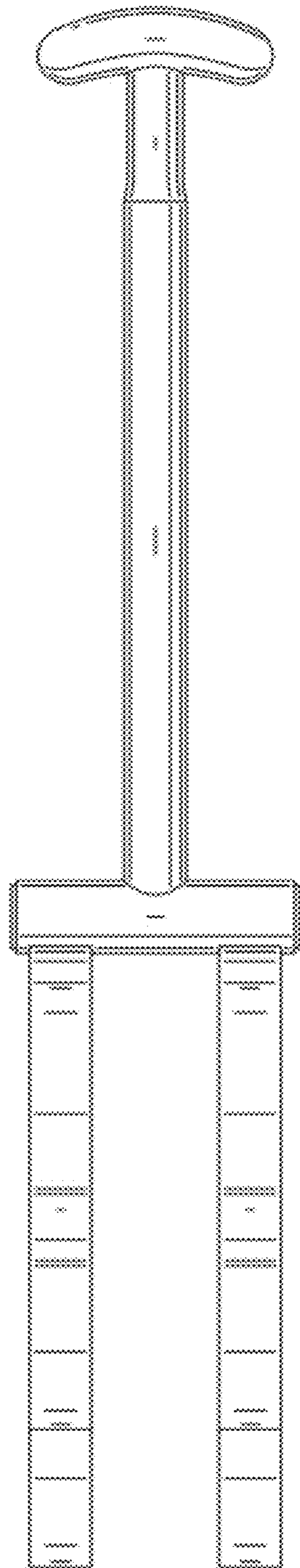


FIG. 3

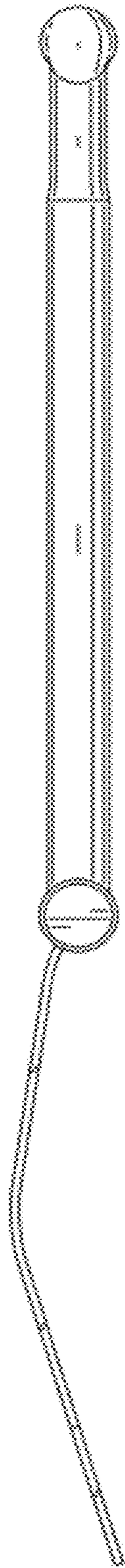


FIG. 4

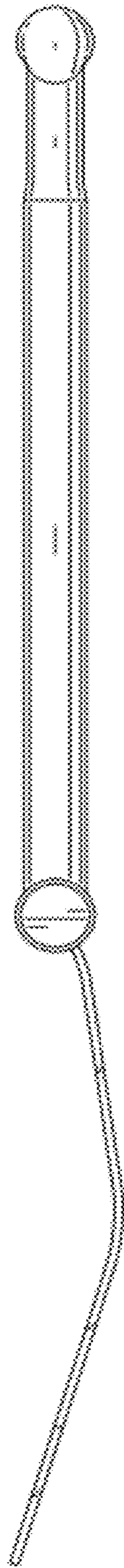


FIG. 5

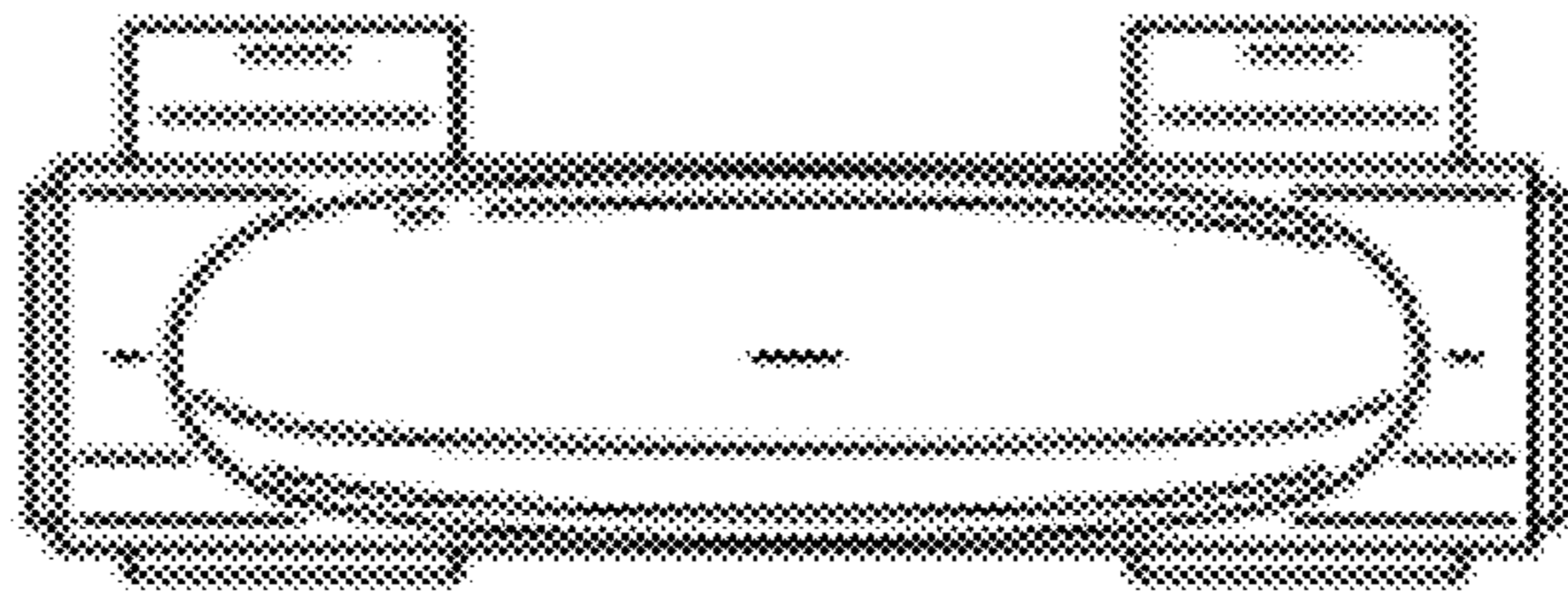


FIG. 6

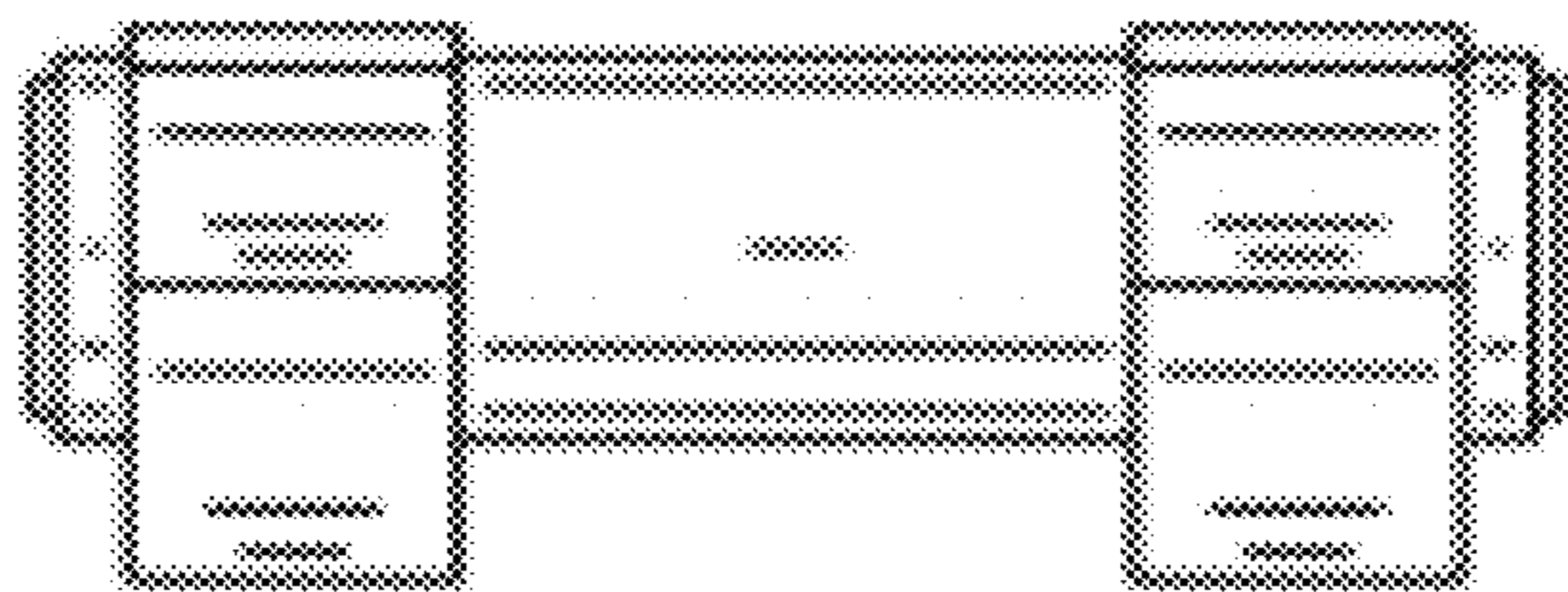


FIG. 7