

US00D666468S

(12) **United States Design Patent**
Braun

(10) **Patent No.:** **US D666,468 S**

(45) **Date of Patent:** **** Sep. 4, 2012**

(54) **DEMOLITION TOOL**

(75) Inventor: **Helmut Braun**, Bergkirchen (DE)

(73) Assignee: **Wacker Neuson Produktion GmbH & Co. KG**, Munich (DE)

(**) Term: **14 Years**

(21) Appl. No.: **29/363,311**

(22) Filed: **Jun. 8, 2010**

(30) **Foreign Application Priority Data**

Dec. 9, 2009 (EM) 001645078

(51) **LOC (9) Cl.** **08-02**

(52) **U.S. Cl.** **D8/67**

(58) **Field of Classification Search** D8/61-70;
81/57.11, 54, 57.42; 173/170, 271, 171,
173/205; 74/55

See application file for complete search history.

(56) **References Cited**

U.S. PATENT DOCUMENTS

D111,005 S *	8/1938	Sperry	D8/61
D301,967 S *	7/1989	Sakamoto et al.	D8/67
D329,794 S *	9/1992	Graham	D8/68
D343,345 S *	1/1994	Ogawa et al.	D8/69
D411,426 S *	6/1999	Morita	D8/69
D447,677 S *	9/2001	Stirm	D8/69

D570,174 S *	6/2008	Stirm	D8/67
D580,250 S *	11/2008	Strim	D8/67
D603,674 S *	11/2009	Werner	D8/67
7,624,815 B2 *	12/2009	Friedrich et al.	173/205
7,726,413 B2 *	6/2010	Berghauser et al.	173/171

* cited by examiner

Primary Examiner — Austin Murphy

(74) *Attorney, Agent, or Firm* — Boyle Fredrickson, S.C.

(57) **CLAIM**

The ornamental design for a demolition tool, as shown and described.

DESCRIPTION

FIG. 1 is an isometric view of a machine incorporating my new design, viewed from behind and from the left side of the demolition tool;

FIG. 2 is an isometric view of a demolition tool incorporating my new design, viewed from in front of and from the right side of the demolition tool;

FIG. 3 is a top plan view thereof;

FIG. 4 is a bottom plan view thereof;

FIG. 5 is rear elevation view thereof;

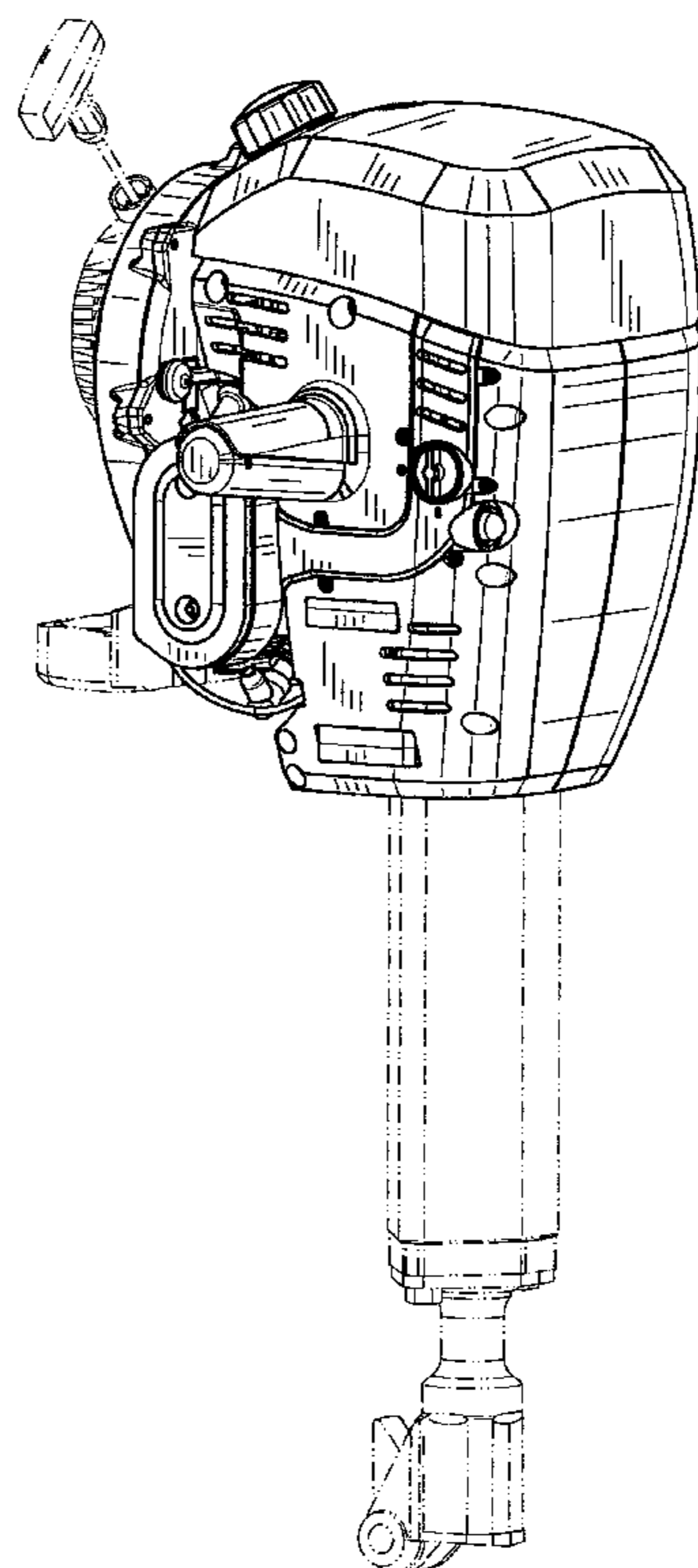
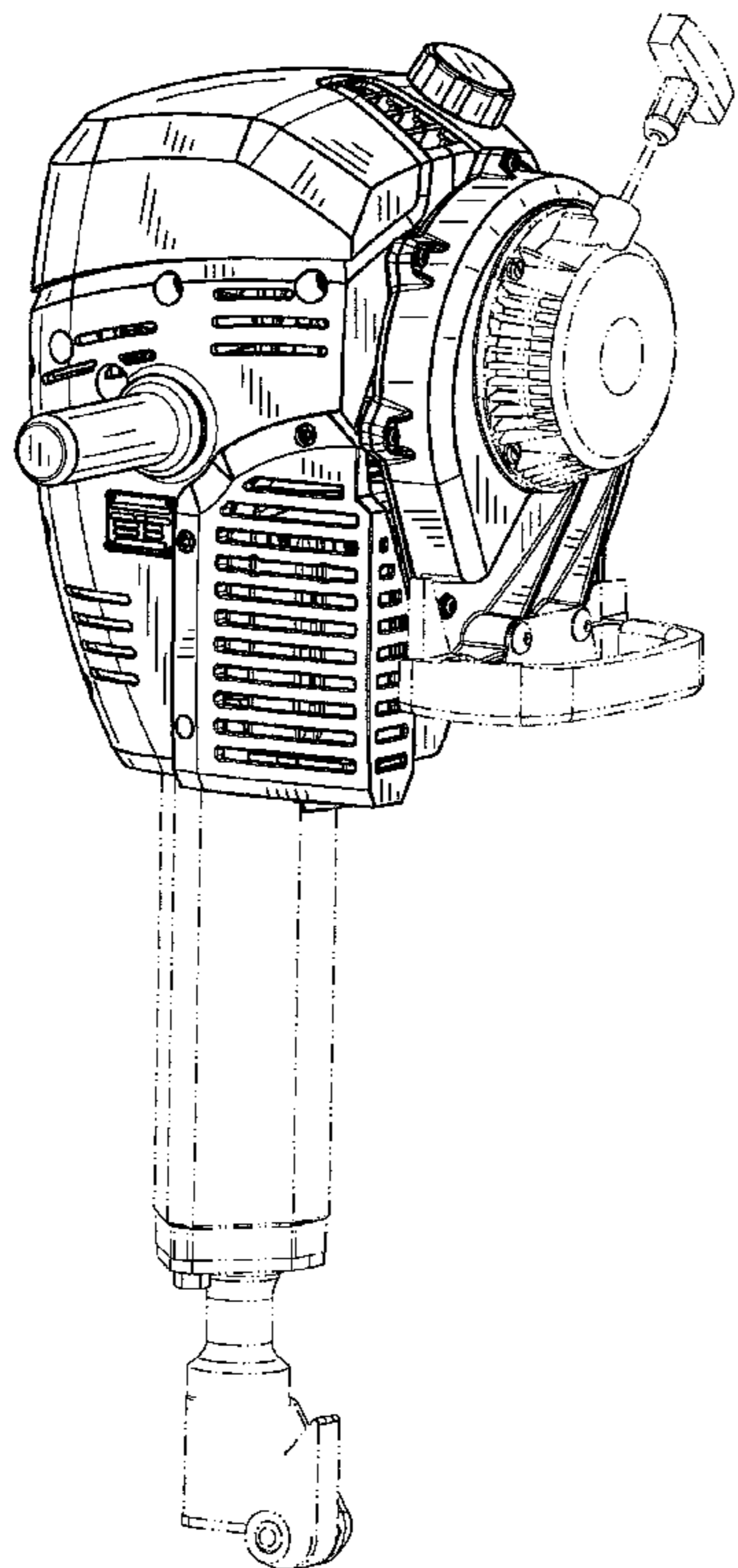
FIG. 6 is a front elevation view thereof;

FIG. 7 is a left side elevation view thereof; and,

FIG. 8 is a right side elevation view thereof.

The broken lines in FIGS. 1-8 are for illustrative purposes only and form no part of the claimed design.

1 Claim, 8 Drawing Sheets



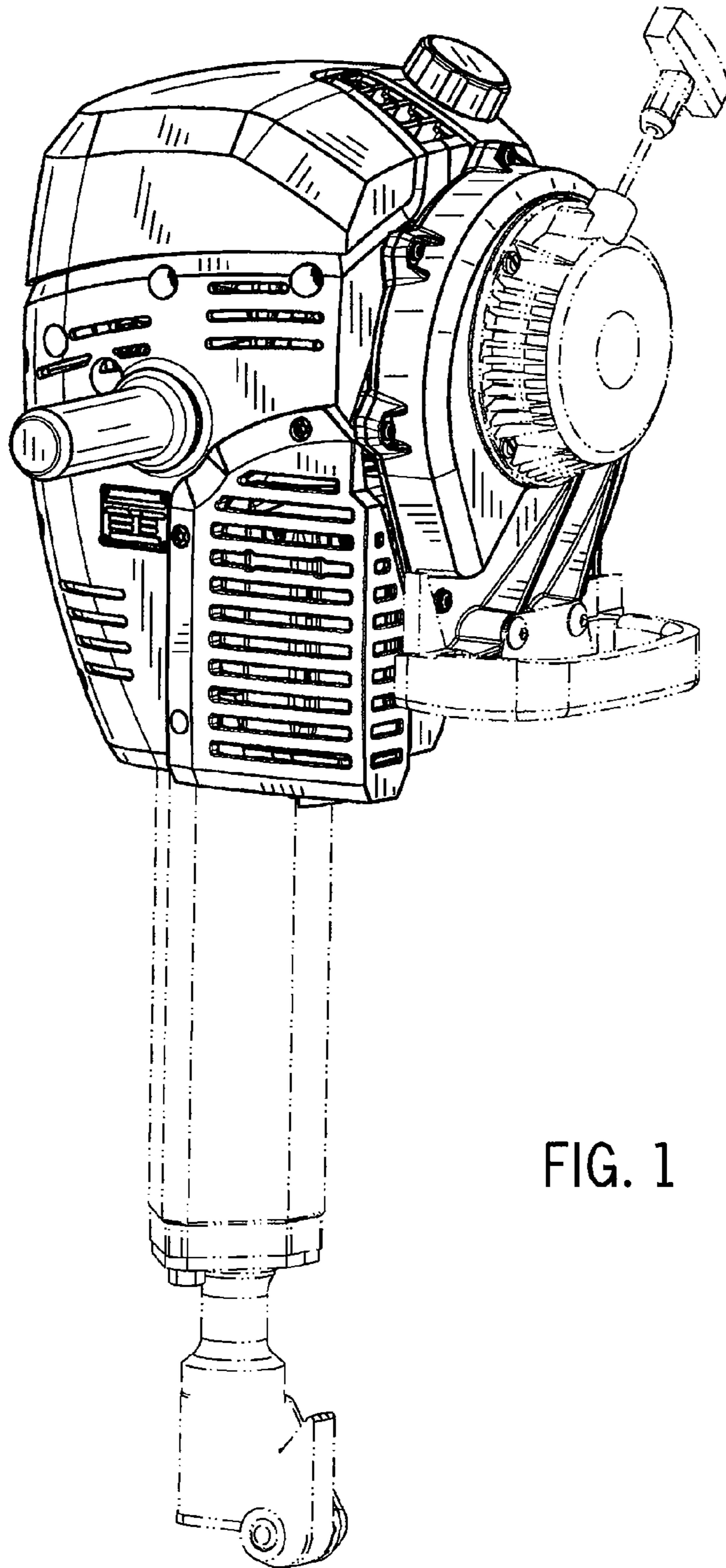


FIG. 1

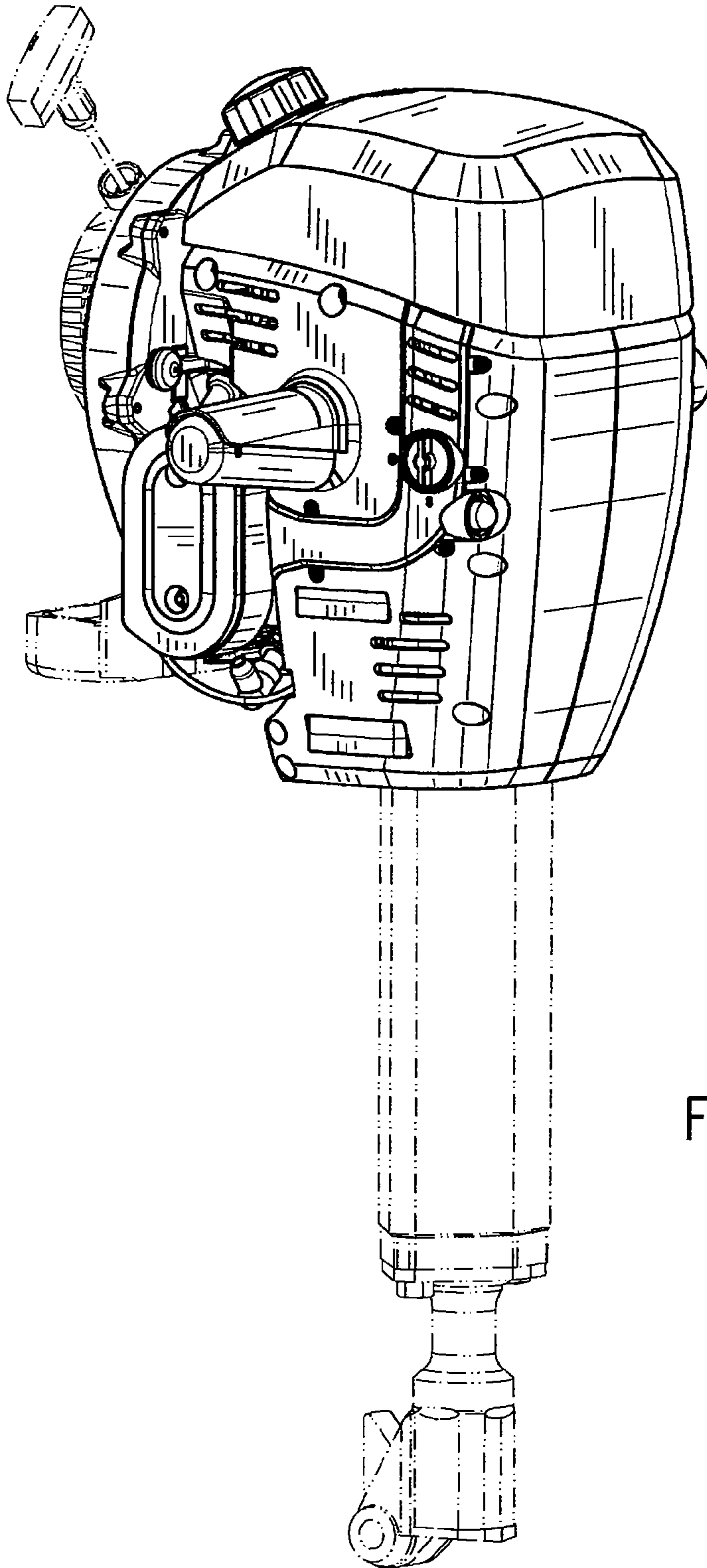


FIG. 2

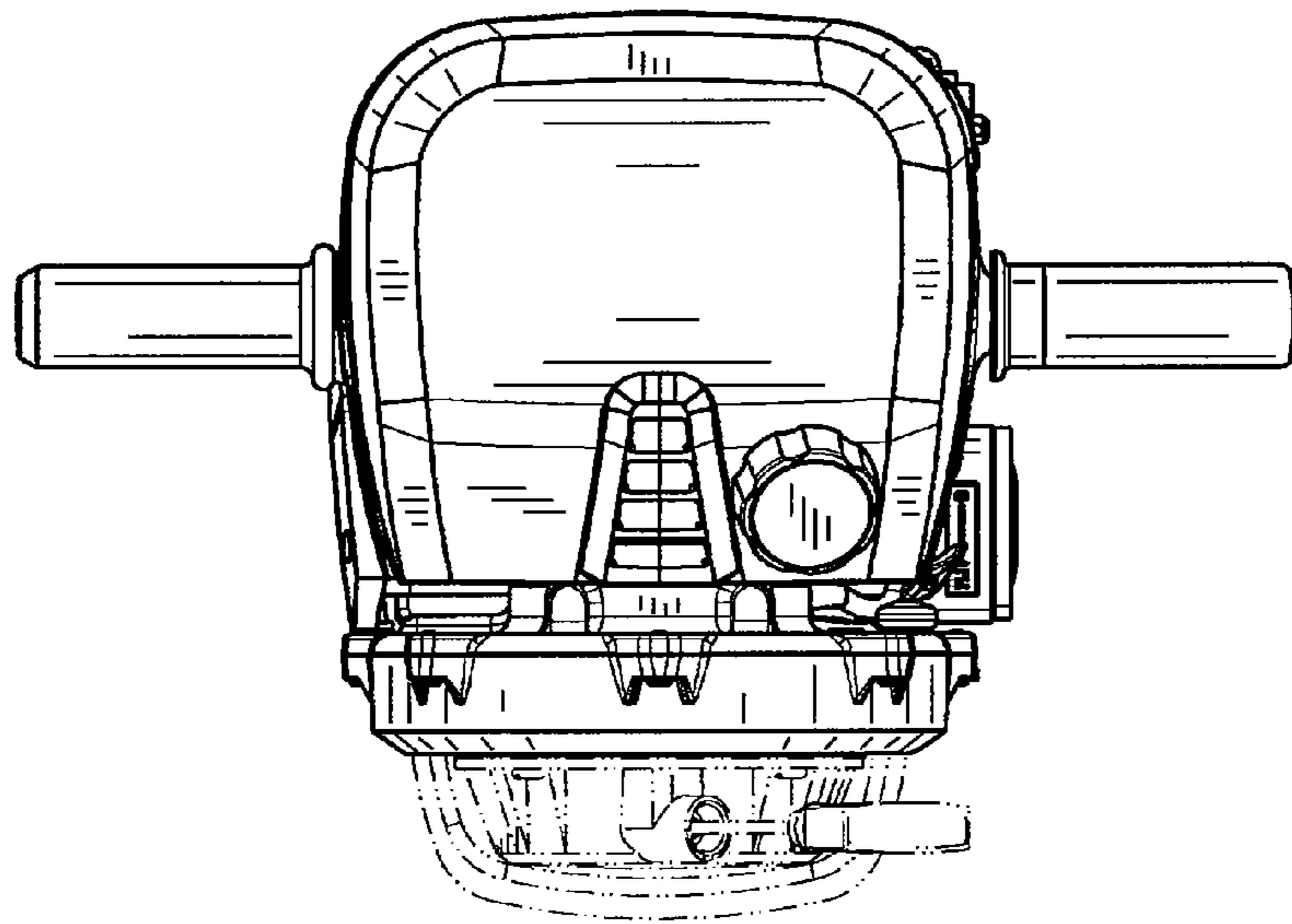


FIG. 3

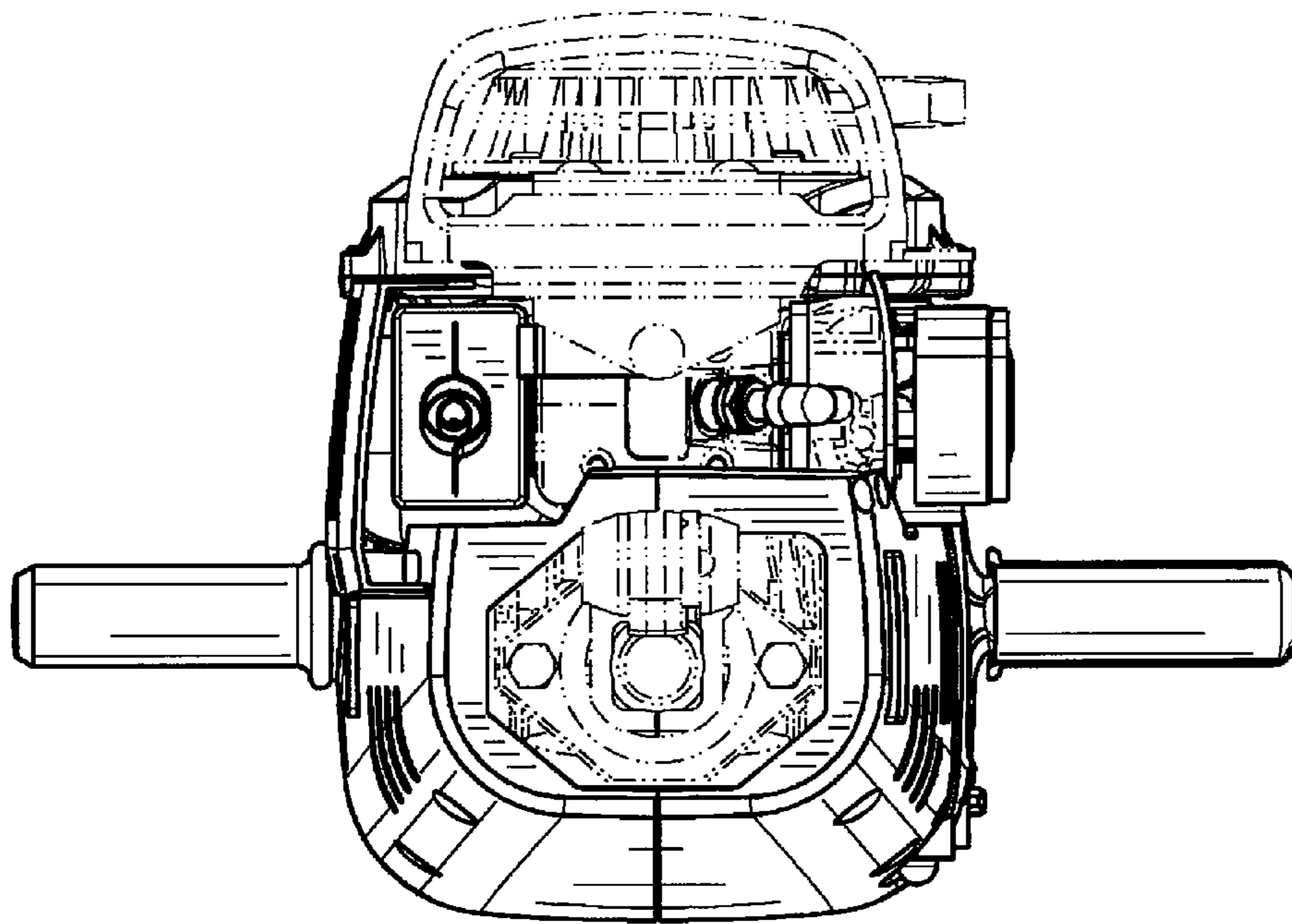


FIG. 4

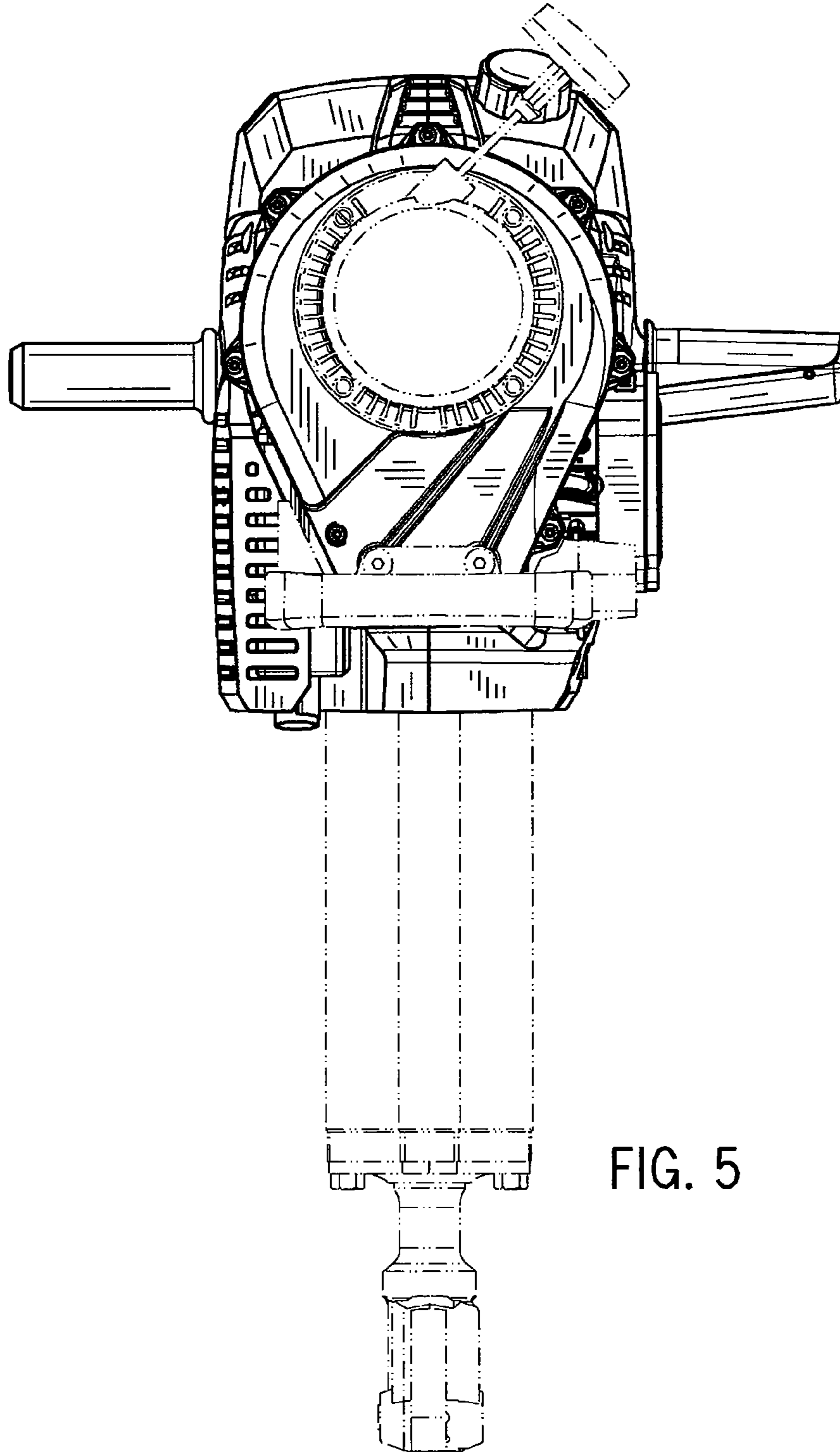
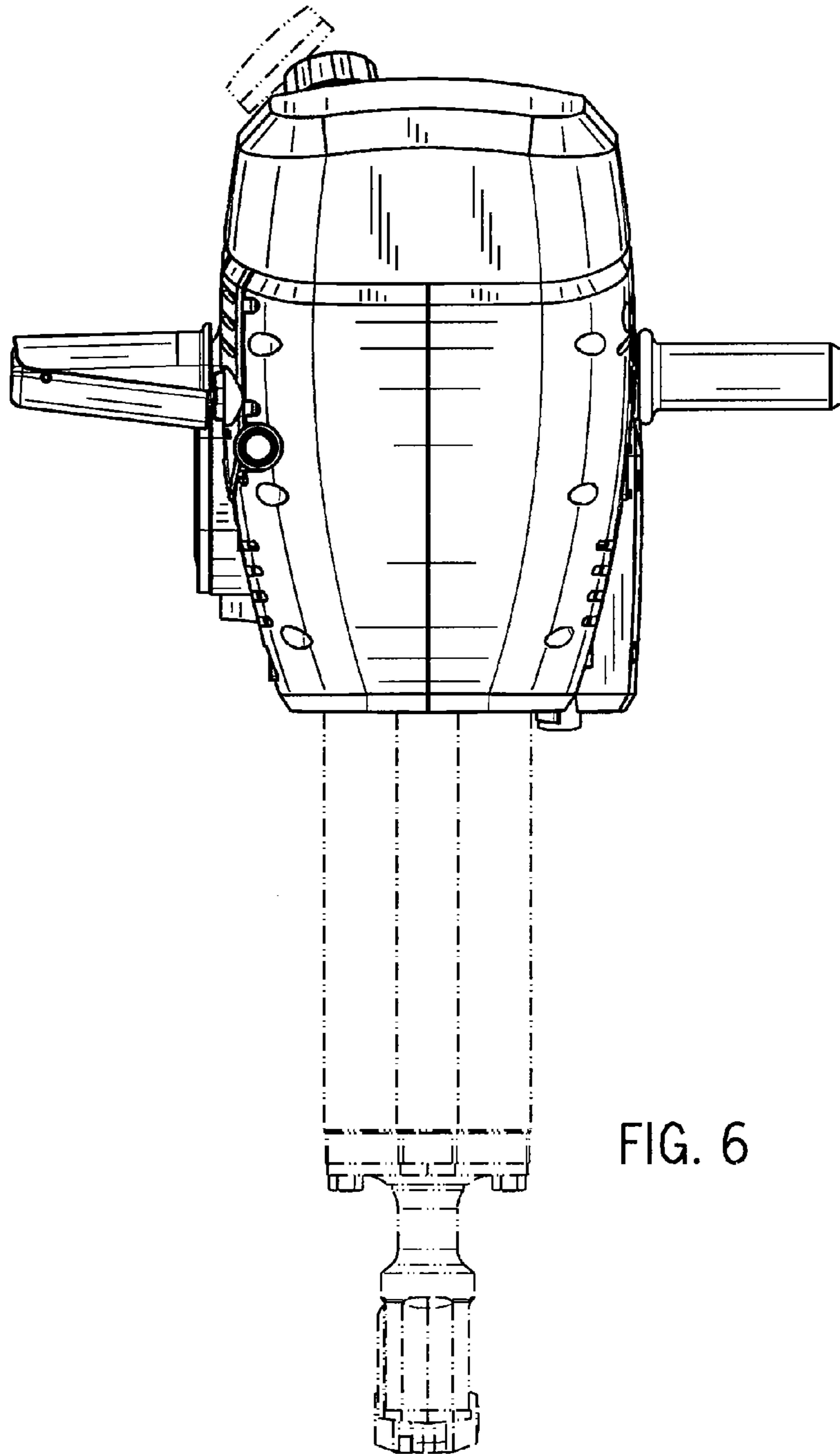


FIG. 5



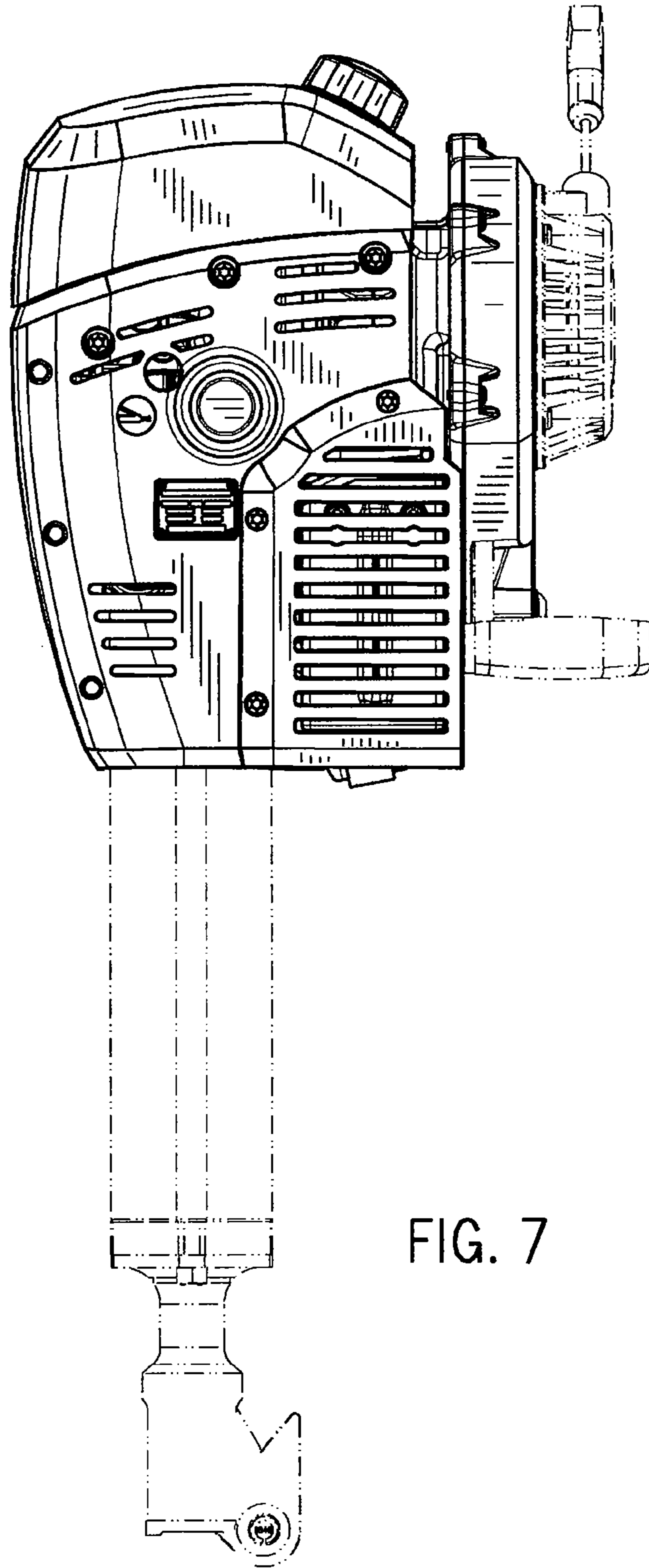


FIG. 7

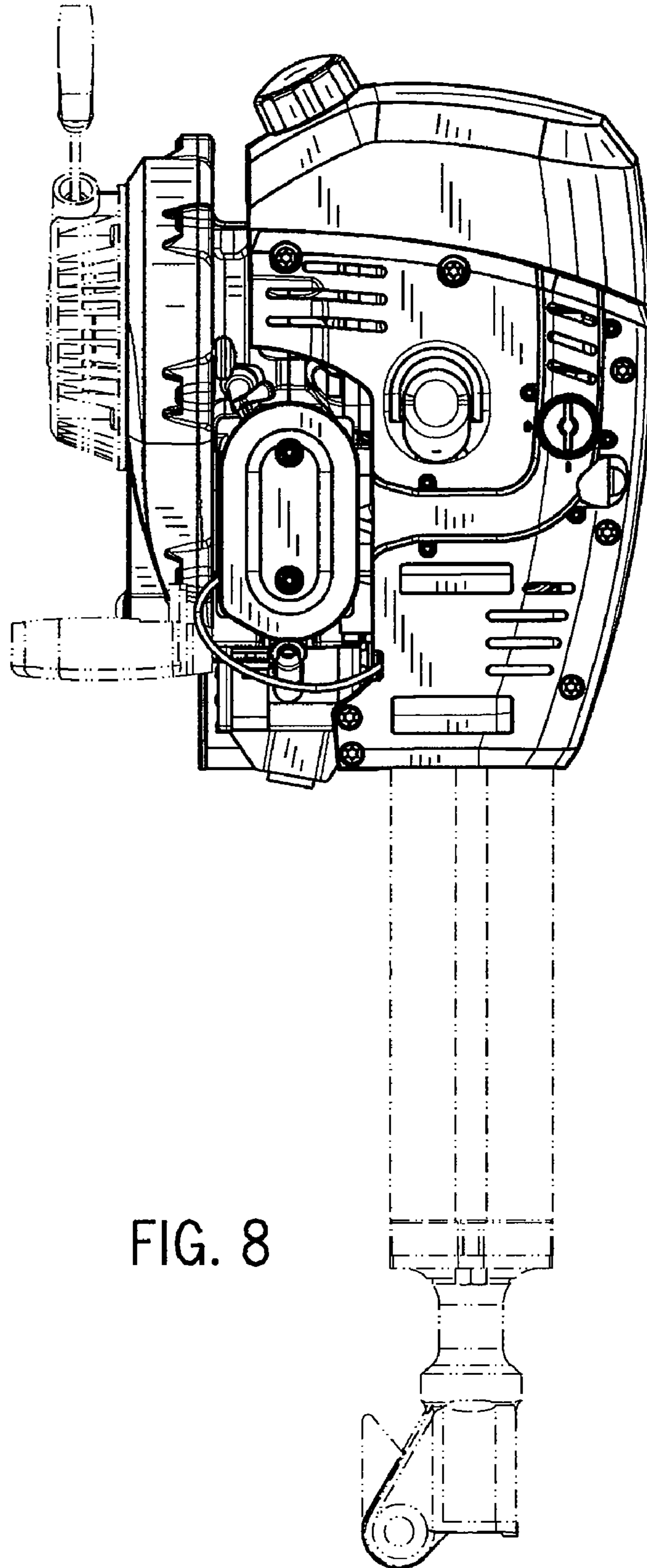


FIG. 8