



US00D666467S

(12) **United States Design Patent**  
**Salotto**

(10) **Patent No.:** **US D666,467 S**  
(45) **Date of Patent:** **\*\* Sep. 4, 2012**

(54) **CONCRETE FLOAT AND STRAIGHT EDGE BRACKET**

(76) Inventor: **Robert R. Salotto**, Baltimore, MD (US)

(\*\*) Term: **14 Years**

(21) Appl. No.: **29/408,744**

(22) Filed: **Dec. 15, 2011**

(51) **LOC (9) Cl.** ..... **08-05**

(52) **U.S. Cl.** ..... **D8/45**

(58) **Field of Classification Search** ..... D8/45;  
404/97, 118, 119; 425/458, 472

See application file for complete search history.

(56) **References Cited**

U.S. PATENT DOCUMENTS

2,897,735	A *	8/1959	Alessio	.....	404/118
4,256,416	A	3/1981	Bishop		
4,449,845	A *	5/1984	Carrillo	.....	404/118
4,520,527	A *	6/1985	Maggio et al.	.....	15/235.8
4,641,995	A *	2/1987	Owens	.....	404/118
4,861,188	A *	8/1989	Rouillard	.....	404/75
5,016,319	A *	5/1991	Stigen	.....	16/426
D324,980	S	3/1992	Owens		
D326,396	S	5/1992	Owens		
D333,245	S	2/1993	Griggs		
5,244,305	A *	9/1993	Lindley	.....	404/97
D343,998	S *	2/1994	Griggs	.....	D8/45
5,393,168	A *	2/1995	Jarvis	.....	404/97
5,460,461	A *	10/1995	McGrath	.....	404/118
5,467,496	A *	11/1995	Jarvis	.....	15/235.8
5,605,415	A	2/1997	Shamblin		
5,980,154	A	11/1999	Record		

6,981,819	B1 *	1/2006	Suckow et al.	.....	404/114
7,293,938	B1 *	11/2007	Suckow et al.	.....	404/114
7,540,688	B1 *	6/2009	Suckow et al.	.....	404/114
7,651,296	B2 *	1/2010	Lindley	.....	404/118
D621,236	S	8/2010	Bahler et al.		
8,016,517	B1 *	9/2011	Pardue	.....	404/118
2003/0143025	A1	7/2003	Catania		
2007/0206991	A1	9/2007	Brotzel		
2010/0226718	A1	9/2010	Obergfoll		

\* cited by examiner

*Primary Examiner* — Susan E Krakower

*Assistant Examiner* — Roselynn Cody

(74) *Attorney, Agent, or Firm* — QuickPatents, Inc.; Kevin Prince

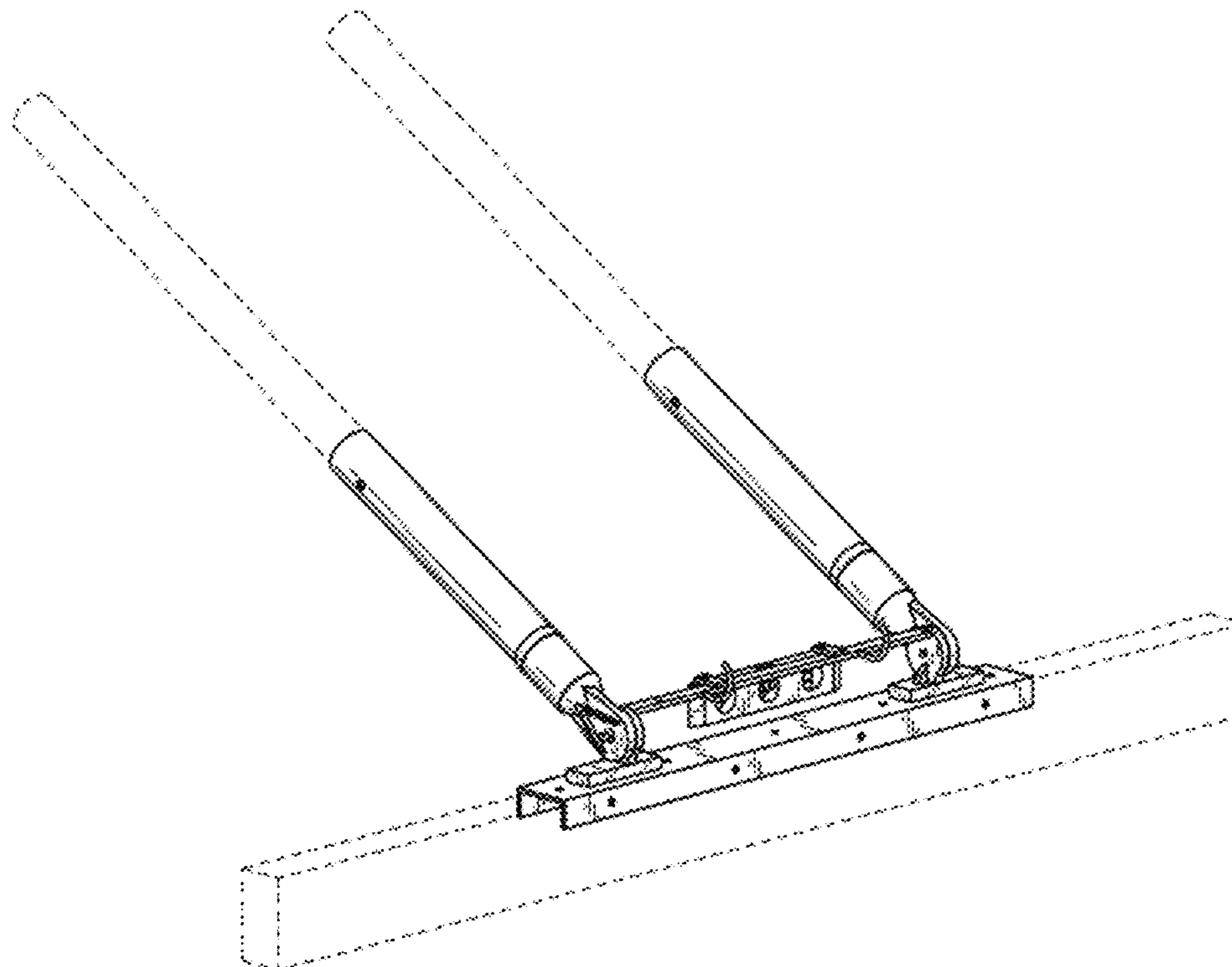
(57) **CLAIM**

I claim the ornamental design for a concrete float and straight edge bracket, as shown and described.

**DESCRIPTION**

FIG. 1 is a perspective view of a concrete float and straight edge bracket, showing my new design;  
 FIG. 2 is a front elevational view thereof;  
 FIG. 3 is a rear elevational view thereof;  
 FIG. 4 is a right-side elevational view thereof, the left-side elevational view being a mirror image thereof;  
 FIG. 5 is a top plan view thereof; and,  
 FIG. 6 is a bottom plan view thereof.  
 The broken lines showing a float board and handles in FIG. 1 and a hand tool in FIG. 4 depict environmental matter and form no part of the claimed design.

**1 Claim, 3 Drawing Sheets**



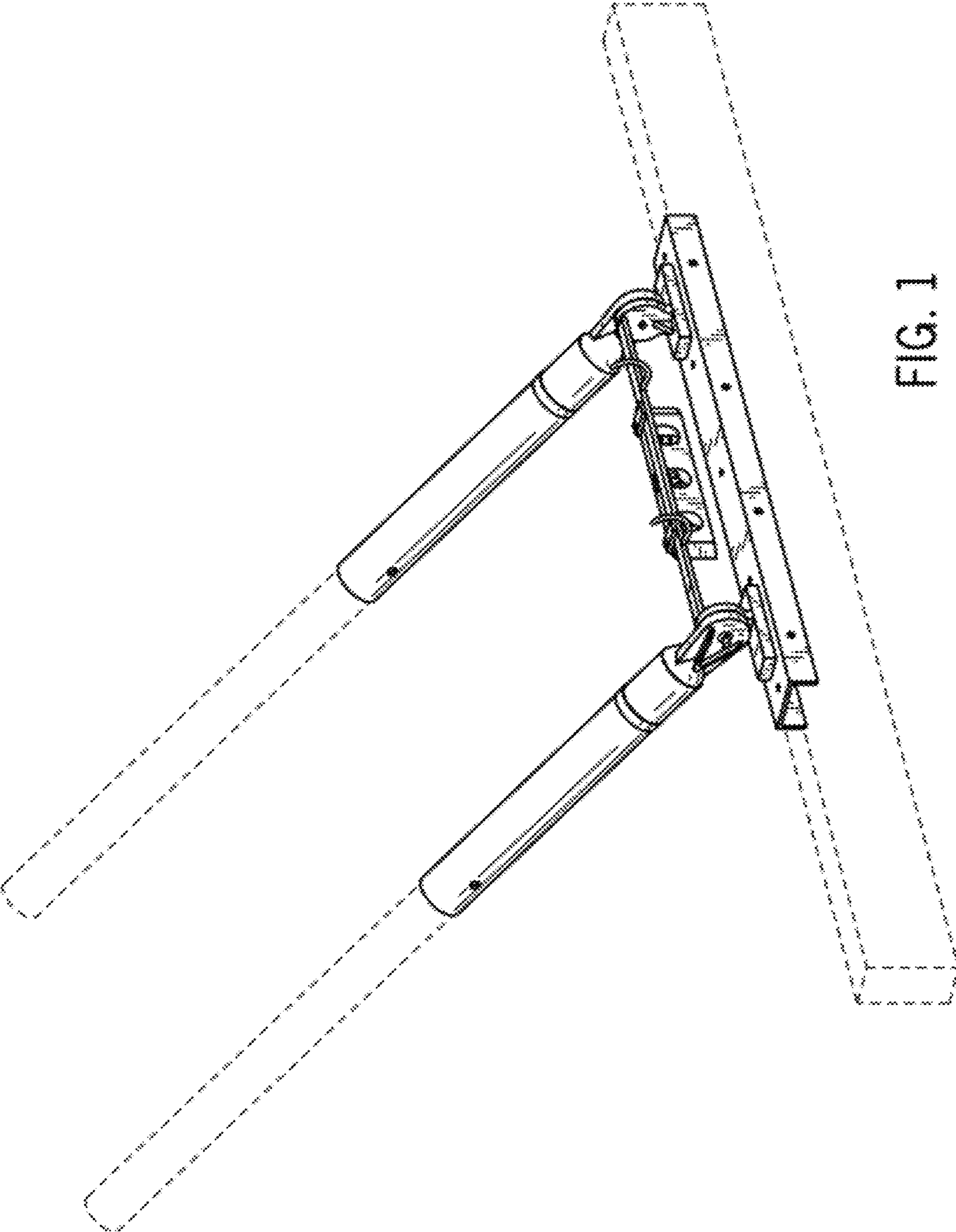


FIG. 1

FIG. 2

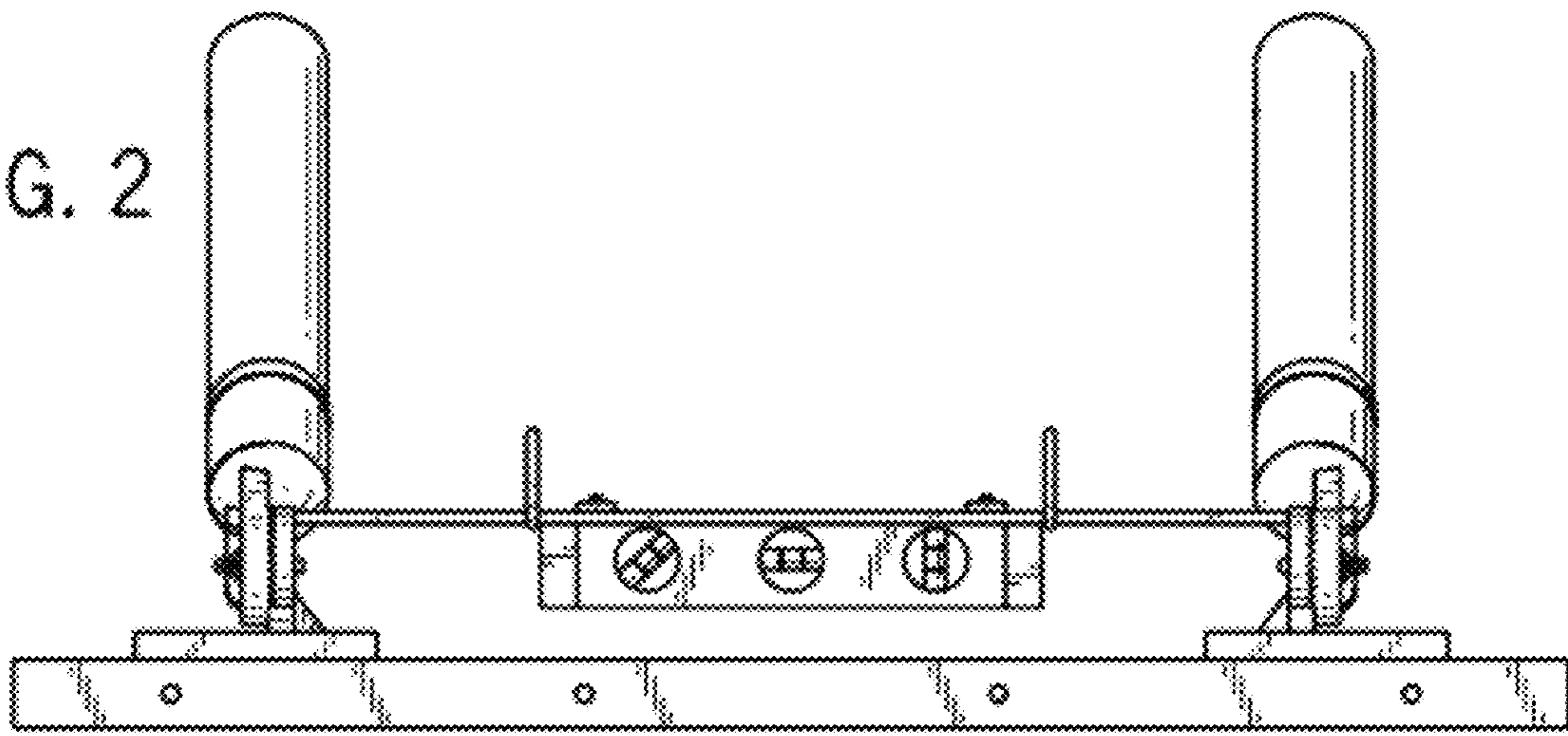


FIG. 3

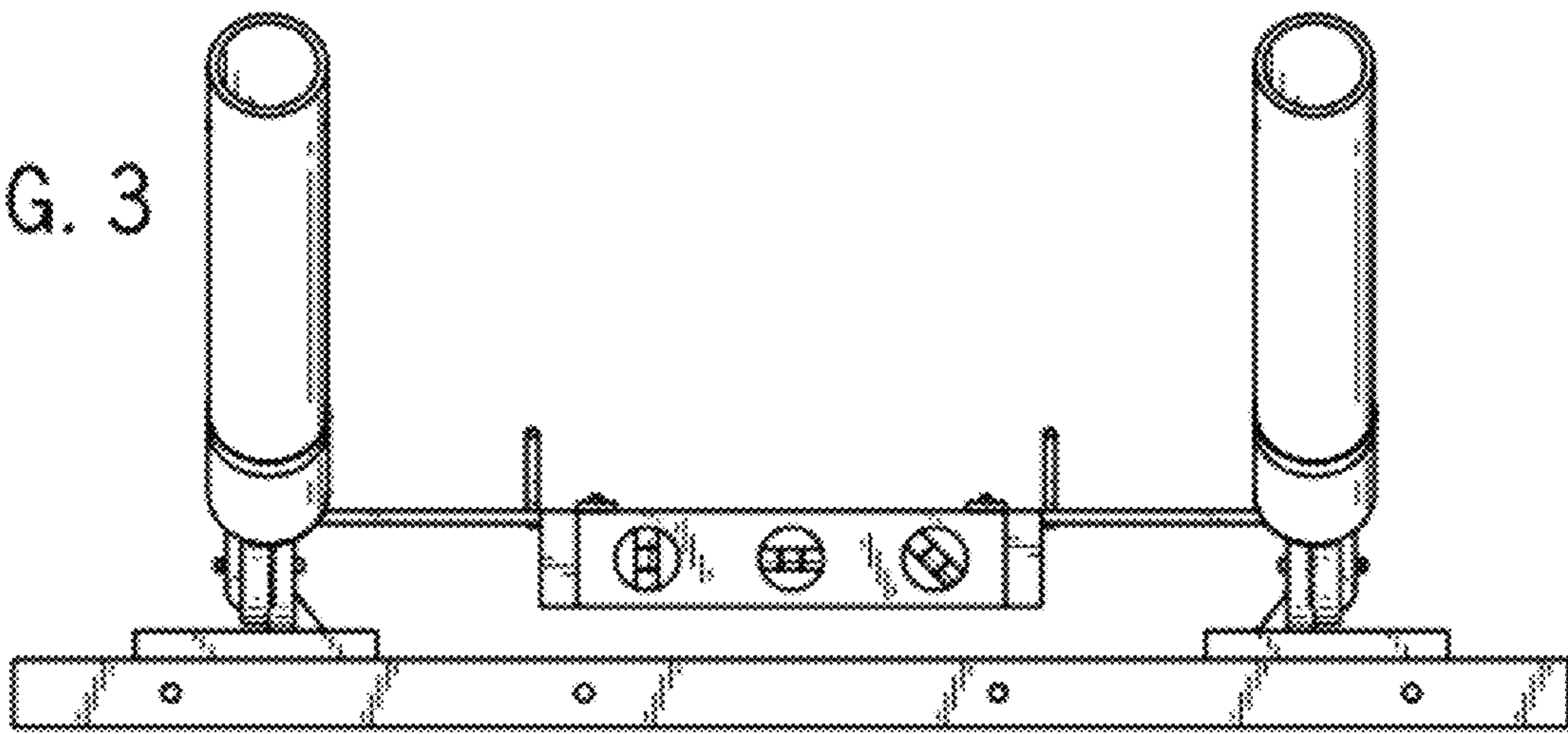


FIG. 4

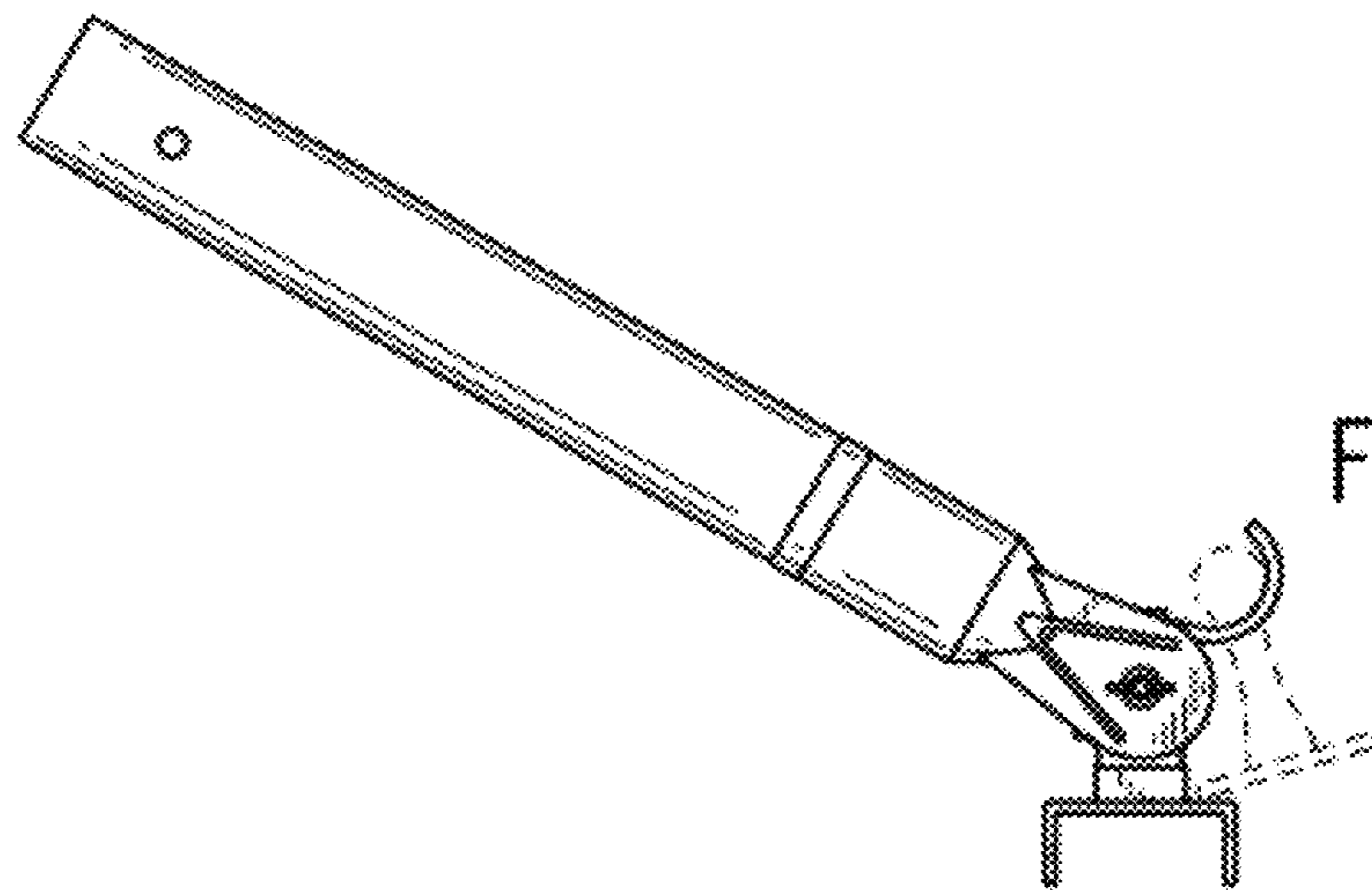


FIG. 5

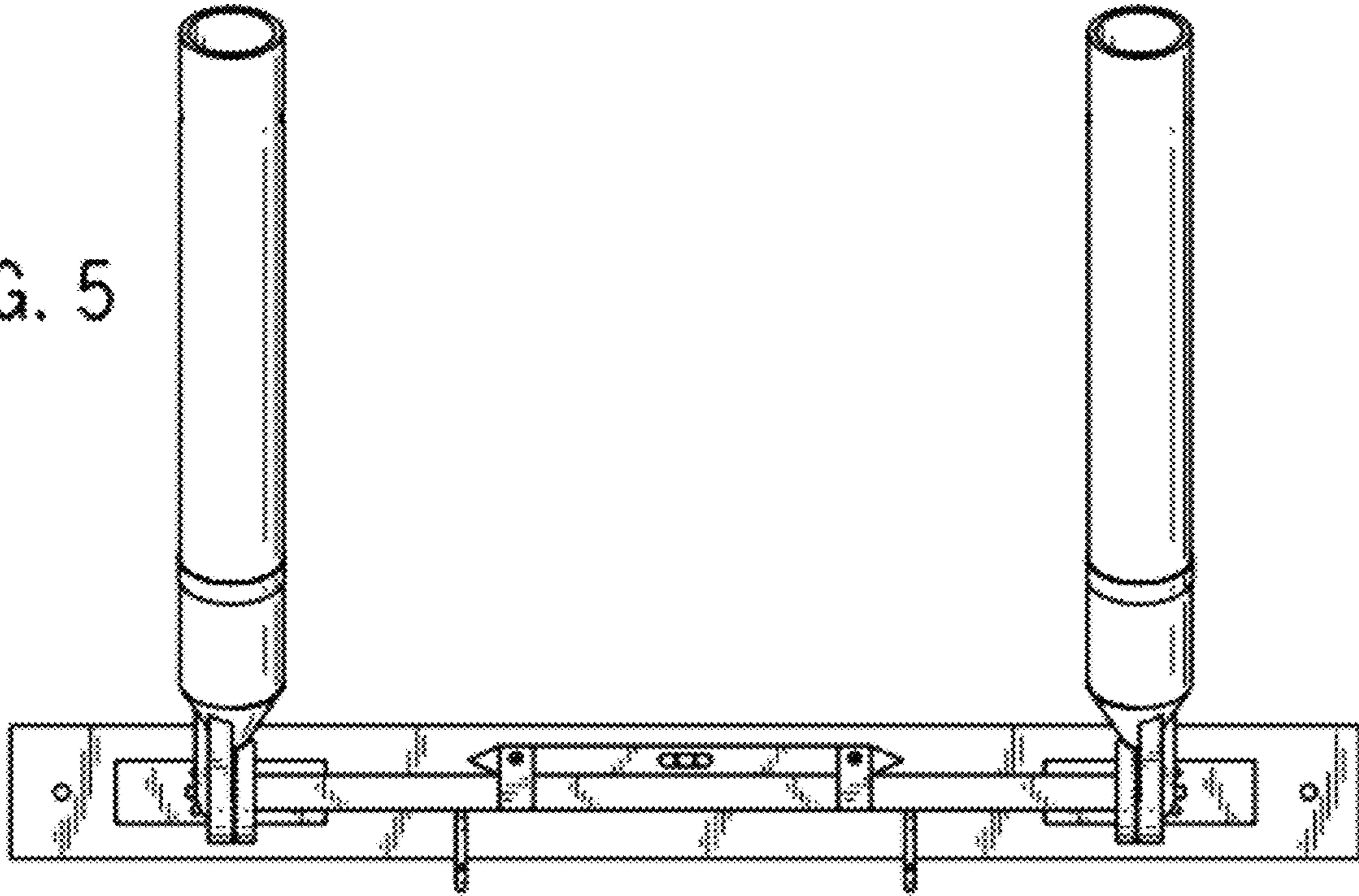


FIG. 6

