



US00D666466S

(12) **United States Design Patent**  
**Gresham et al.**

(10) **Patent No.:** **US D666,466 S**

(45) **Date of Patent:** **\*\* Sep. 4, 2012**

(54) **RATCHET WRENCH**

(75) Inventors: **Ian Lyle Gresham**, Baltimore, MD  
(US); **Scott Evans**, Winchester, VA (US)

(73) Assignee: **Apex Brands, Inc.**, Sparks, MD (US)

(\*\*) Term: **14 Years**

(21) Appl. No.: **29/362,264**

(22) Filed: **May 21, 2010**

(51) **LOC (9) Cl.** ..... **08-05**

(52) **U.S. Cl.** ..... **D8/25**

(58) **Field of Classification Search** ..... D8/17,

D8/21-29, 97, 107; 81/60, 177.1, 177.85,

81/121.1, 124.3, 165-170, 110.1, 176.2,

81/124.6, 176.1, 176.15, 177.2, 186; 16/110.1;

D15/144.1; 219/75, 227, 229, 121.16, 121.18

See application file for complete search history.

(56) **References Cited**

U.S. PATENT DOCUMENTS

1,416,461	A	5/1922	Hance
1,658,886	A	2/1928	Dickey
2,697,370	A	12/1954	Brooks
2,872,004	A	2/1959	Barker et al.
4,420,995	A	12/1983	Roberts
4,722,253	A	2/1988	Chow
4,800,786	A	1/1989	Arnold et al.
D300,296	S	3/1989	Krapowicz et al.
4,836,059	A	6/1989	Arnold
4,862,775	A	9/1989	Chow
4,936,170	A	6/1990	Zumeta
4,947,713	A	8/1990	Arnold
4,982,627	A	1/1991	Johnson
5,031,488	A	7/1991	Zumeta
5,053,440	A	10/1991	Schueler et al.
5,074,174	A	12/1991	Kim
5,079,978	A	1/1992	Kupfer
D326,985	S	6/1992	Chow
5,140,875	A	8/1992	Kim
5,178,047	A	1/1993	Arnold et al.

5,199,335	A	4/1993	Arnold et al.
D340,628	S	10/1993	Chow
D359,669	S	6/1995	Splingaire
5,422,383	A	6/1995	Takahashi et al.
5,489,639	A	2/1996	Faber et al.

(Continued)

OTHER PUBLICATIONS

Sears Catalog, Sep. 1, 1990, p. 25.

(Continued)

*Primary Examiner* — Raphael Barkai

*Assistant Examiner* — Randall H Gholson

(74) *Attorney, Agent, or Firm* — Nelson Mullins Riley & Scarborough, LLP

(57) **CLAIM**

The ornamental design of a ratchet wrench, illustrated substantially as shown and described.

**DESCRIPTION**

FIG. 1 is a perspective view of a ratchet wrench embodying the design of the present invention;

FIG. 2 is a top plan view of the ratchet wrench illustrated in FIG. 1;

FIG. 3 is a bottom plan view of the ratchet wrench illustrated in FIG. 1;

FIG. 4 is a left side view of the ratchet wrench illustrated in FIG. 1;

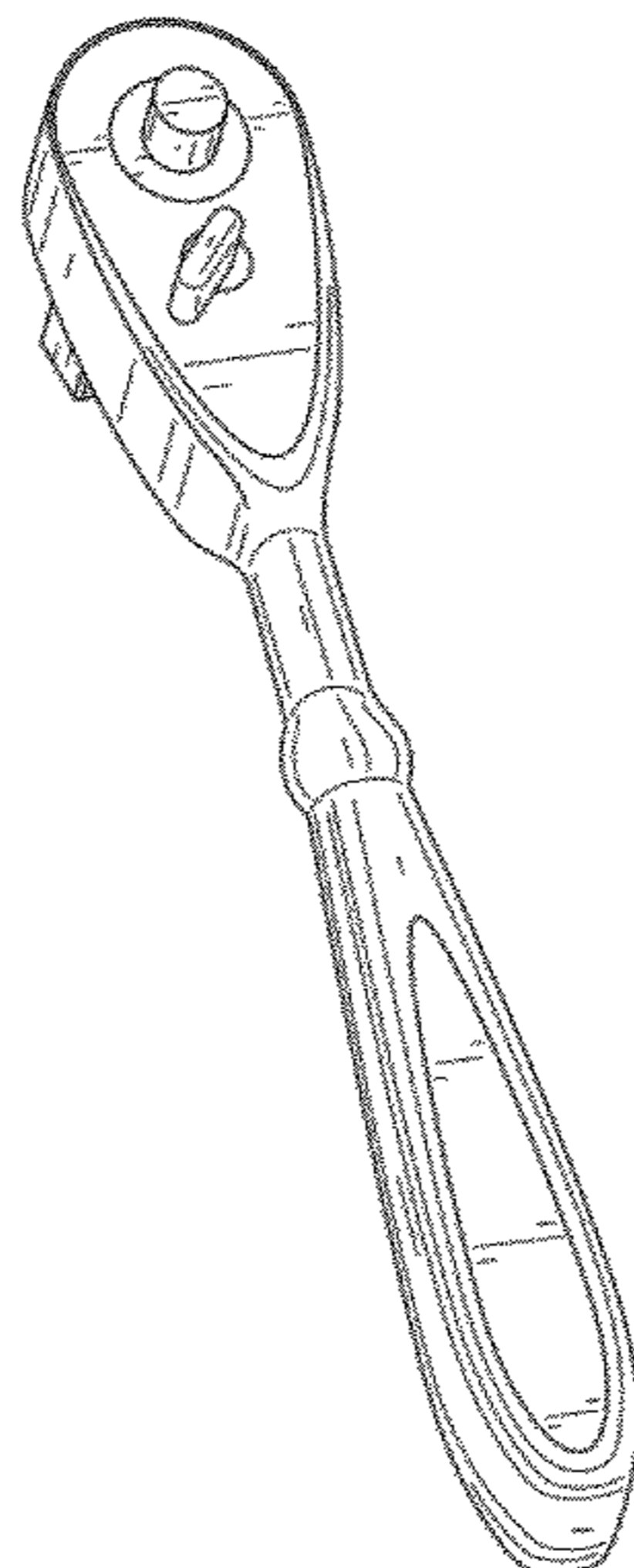
FIG. 5 is a right side view of the ratchet wrench illustrated in FIG. 1

FIG. 6 is a top plan view of the ratchet wrench illustrated in FIG. 1; and,

FIG. 7 is a bottom plan view of the ratchet wrench illustrated in FIG. 1.

Broken lines are for illustrative purposes and form no part of the claim.

**1 Claim, 4 Drawing Sheets**



## U.S. PATENT DOCUMENTS

D374,172	S	10/1996	Frattarola		
5,642,649	A	7/1997	Hsieh		
5,794,496	A	8/1998	Arnold		
D398,823	S	9/1998	Hsieh		
5,819,606	A	10/1998	Arnold		
5,848,832	A	12/1998	Hsieh		
5,897,198	A	4/1999	Hsieh		
5,910,197	A	6/1999	Chaconas		
5,911,798	A	6/1999	Arnold		
5,913,954	A *	6/1999	Arnold et al. ....	81/63	
5,970,552	A	10/1999	Kwiecien et al.		
6,003,414	A	12/1999	Hsieh		
6,006,632	A	12/1999	Hsieh		
D419,407	S *	1/2000	Davidson .....	D8/29	
D422,192	S *	4/2000	Cleveland .....	D8/107	
D425,770	S	5/2000	Hsieh		
6,065,374	A	5/2000	Taggart		
6,082,230	A	7/2000	Steinweg		
6,152,826	A	11/2000	Profeta et al.		
6,161,454	A *	12/2000	Chaconas .....	81/63.2	
6,170,363	B1	1/2001	Hu		
D438,074	S	2/2001	Marr et al.		
D439,481	S	3/2001	Lin		
6,216,567	B1	4/2001	Hu		
D442,837	S	5/2001	Porras		
6,230,591	B1	5/2001	Ling et al.		
6,257,096	B1	7/2001	Ling		
6,257,098	B1	7/2001	Cirone		
6,279,430	B1	8/2001	Hsieh		
6,431,031	B1	8/2002	Hu		
6,453,779	B2	9/2002	Hu		
6,457,387	B1	10/2002	Hu		
6,477,759	B2	11/2002	Hu		
6,568,299	B2	5/2003	Hu		
6,609,444	B1	8/2003	Hsien		
D479,109	S	9/2003	Hsieh		
6,647,832	B2	11/2003	Hu		
D483,096	S	12/2003	Gotoh et al.		
D484,374	S	12/2003	Lee et al.		
D484,376	S	12/2003	Cromer		
6,711,973	B2	3/2004	Arnold et al.		
6,722,235	B2	4/2004	Hsieh		
D496,237	S	9/2004	Folkenroth et al.		
D500,435	S	1/2005	Dexter et al.		
D500,944	S	1/2005	Dexter et al.		
D501,768	S	2/2005	Dexter et al.		
6,851,824	B2	2/2005	Hsien		
6,868,759	B2	3/2005	Tuan-Mu		
D505,308	S	5/2005	Lee et al.		
D506,908	S	7/2005	Hsien		
6,918,323	B2	7/2005	Arnold et al.		
D509,717	S	9/2005	Folkenroth et al.		
6,955,104	B2	10/2005	Hu		
6,959,629	B2	11/2005	Hsien		
7,000,505	B2	2/2006	Hsien		
D520,309	S	5/2006	Hsien		
D520,310	S	5/2006	Hsien		
D520,311	S	5/2006	Saunders		
D520,822	S	5/2006	Hsieh		
D523,305	S	6/2006	Dexter et al.		
7,069,827	B1	7/2006	Hsieh		
D525,853	S	8/2006	Hsieh		
D527,242	S	8/2006	Hsieh		
7,143,669	B2	12/2006	Hu		
7,159,491	B1	1/2007	Chaconas et al.		
D542,106	S	5/2007	Alsobrook		
7,284,464	B2	10/2007	Chaconas		
7,299,720	B1 *	11/2007	Schultz et al. ....	81/63.1	
D564,849	S	3/2008	Hsieh		
D581,755	S	12/2008	Hu		
D588,886	S	3/2009	Davis		
D605,010	S	12/2009	Hsieh		
7,707,916	B2	5/2010	Pirseyedi		
7,726,919	B1	6/2010	Rottler et al.		
D627,206	S	11/2010	Delaney et al.		
7,954,402	B2 *	6/2011	Crawford .....	81/63	
2004/0216567	A1	11/2004	Hsien		
2005/0139041	A1 *	6/2005	Arnold et al. ....	81/63.1	
2005/0193874	A1	9/2005	Shih		
2007/0039427	A1	2/2007	Hsieh		
2007/0079670	A1	4/2007	Chaconas et al.		
2007/0131065	A1	6/2007	Shih		
2008/0028897	A1	2/2008	Hu		
2008/0047399	A1	2/2008	Hsieh		
2008/0072715	A1	3/2008	Hsieh		
2009/0282953	A1	11/2009	Lin		
2010/0018355	A1 *	1/2010	Crawford .....	81/60	
2010/0132517	A1 *	6/2010	Crawford .....	81/63	

## OTHER PUBLICATIONS

NAPA Tools and Equipment 2002-2003 advertisement.  
Sunex-Product Catalog 1998, 1/4" Chrome Sockets and Sets.  
2001/2002 Matco Tools Professional Hand Tools Catalog and Service Equipment, 1/2" Metric Impact Sockets.  
2001/2002 Matco Tools Professional Hand Tools Catalog and Service Equipment, 1/4" Impact Sockets.  
Matco Tools; "Promo 5;" product launch flyer distributed at trade show in Apr. 2001; 2 pp.  
Matco Tools; product launch flyer distributed at trade show in Feb. 1999; 3 pp.  
Sunex Tools; "New Tools, New Rules;" product catalog; actual publication date unknown, but Applicant catalog was published more than 1-year prior to the filing of U.S. Appl. No. 29/175,663.  
U.S. Appl. No. 29/301,656, filed Sep. 4, 2007, reissue application of D500944.  
U.S. Appl. No. 29/267,220, filed Aug. 11, 2006, reissue application of D501768.  
Office Action from corresponding U.S. Appl. No. 29/363,055, dated Jan. 15, 2010.  
Response to Office Action, filed Feb. 7, 2011, from corresponding U.S. Appl. No. 29/363,055, dated Jan. 15, 2010.

\* cited by examiner

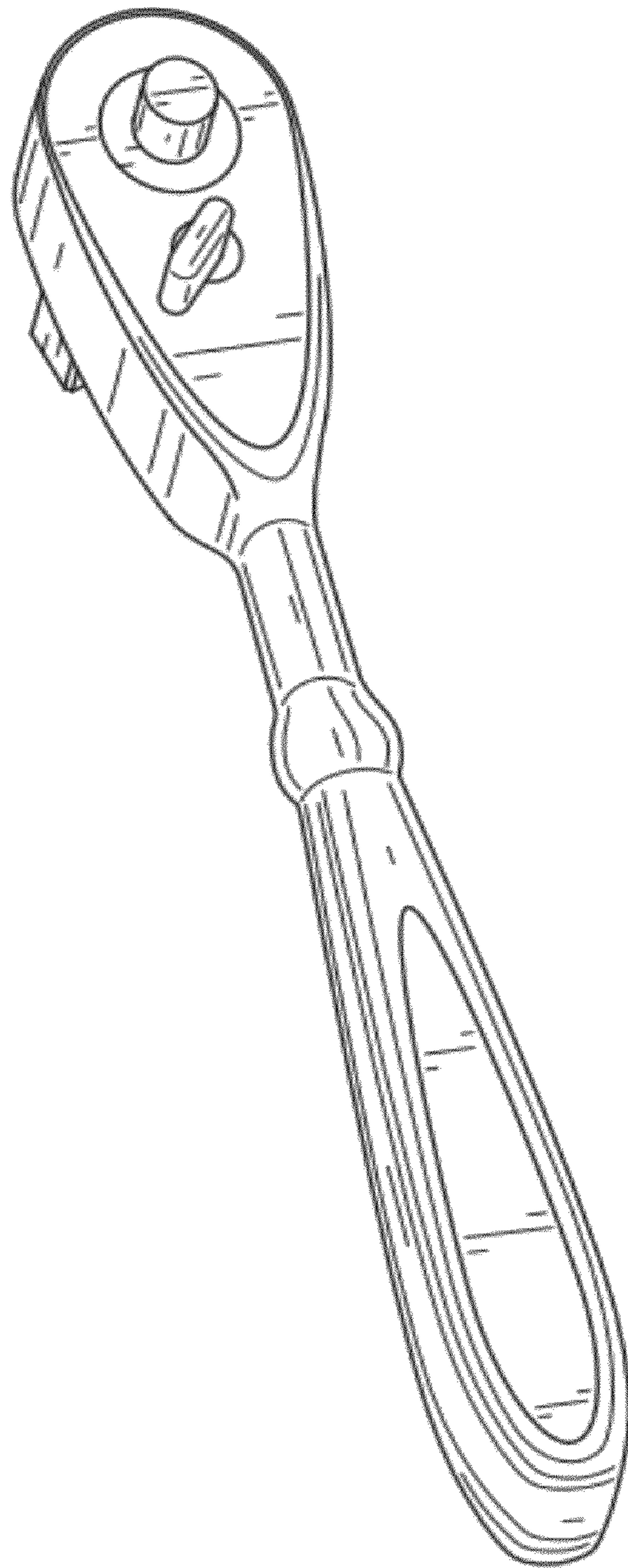


FIG. 1

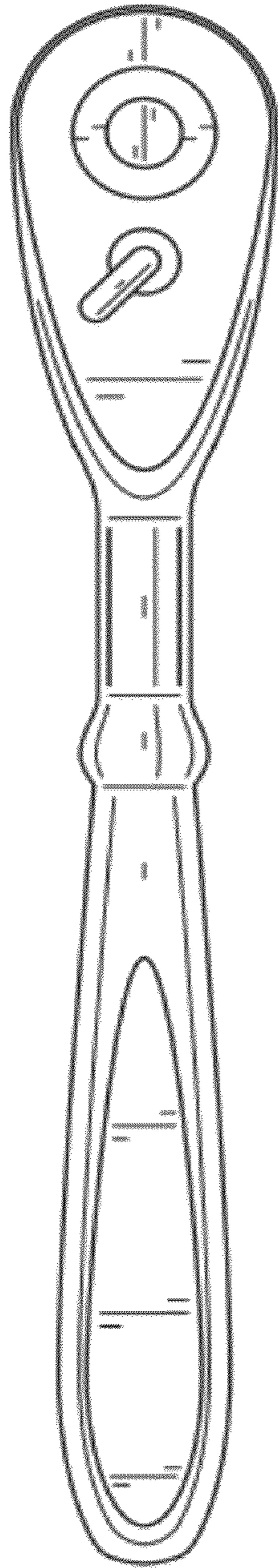


FIG. 2

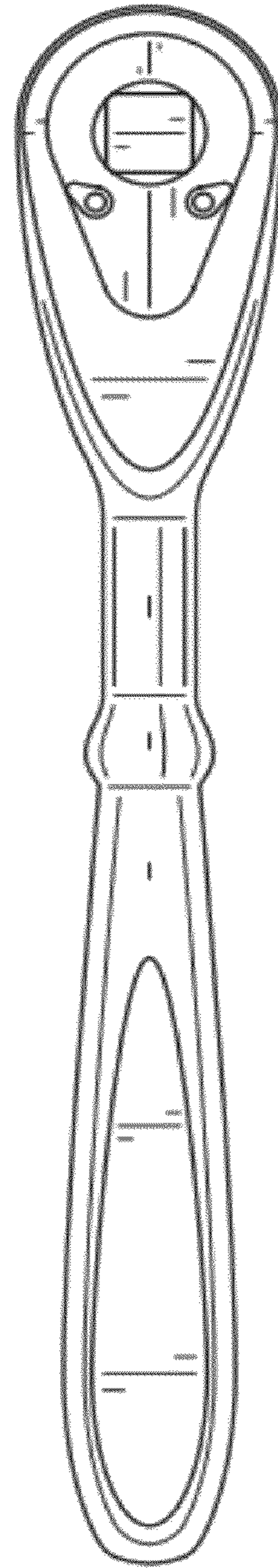


FIG. 3

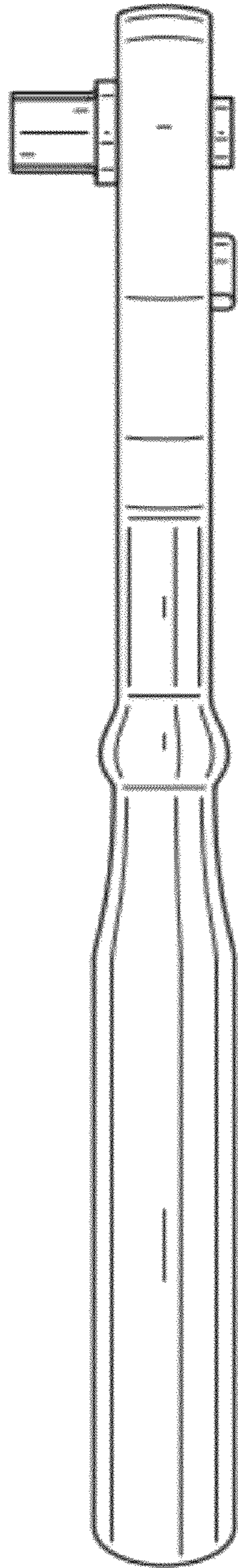


FIG. 4

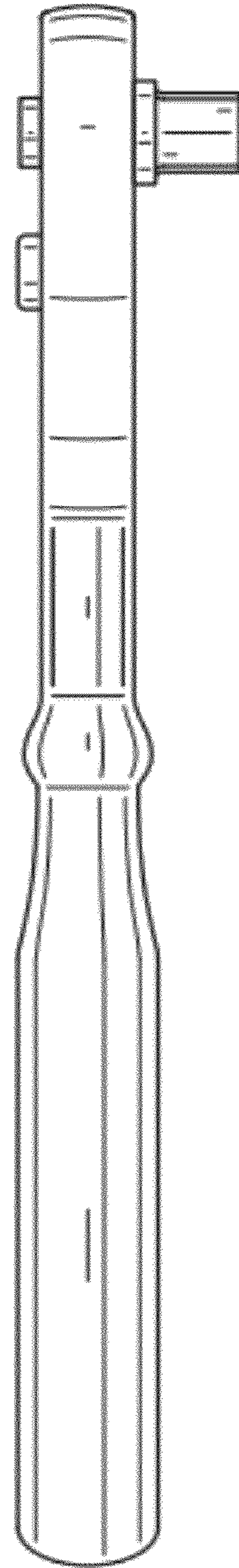


FIG. 5

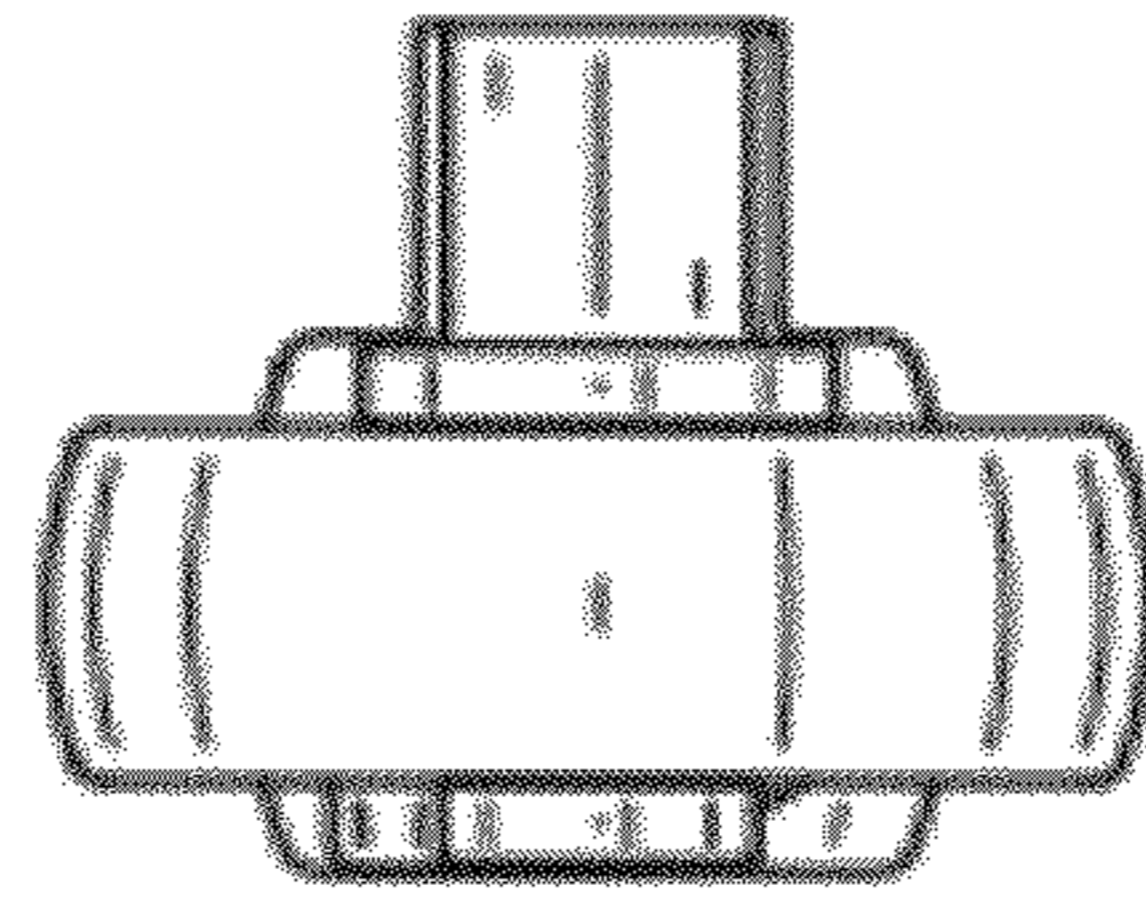


FIG. 6

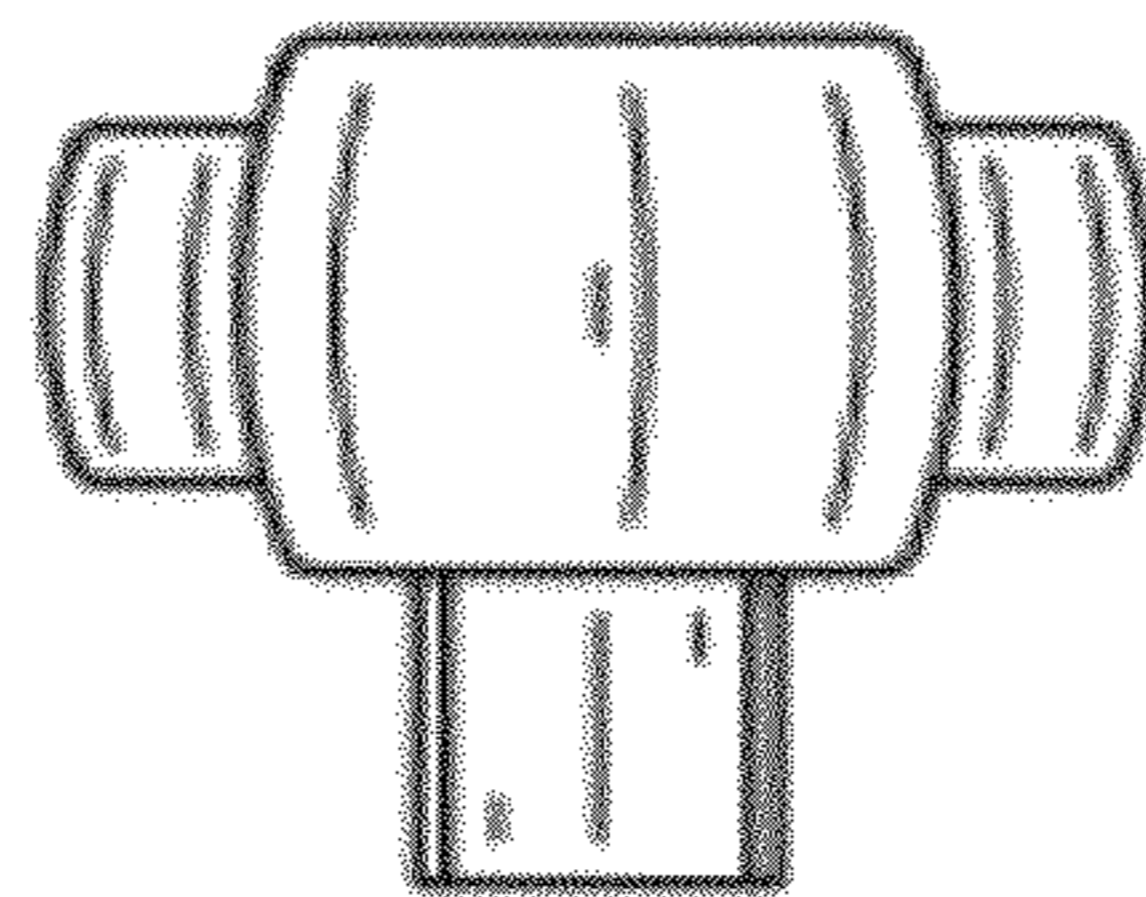


FIG. 7