



US00D666465S

(12) **United States Design Patent**  
**Oymaian**

(10) **Patent No.:** **US D666,465 S**

(45) **Date of Patent:** **\*\* Sep. 4, 2012**

(54) **BREAKOUT TOOL**

(75) Inventor: **Jeffrey A. Oymaian**, Orange, CA (US)

(73) Assignee: **J.A.O. Tool, Inc.**, Orange, CA (US)

(\*\*) Term: **14 Years**

(21) Appl. No.: **29/417,711**

(22) Filed: **Apr. 6, 2012**

7,117,766	B1 *	10/2006	Boehringer	81/121.1
D596,011	S *	7/2009	Almayda	D8/105
D611,287	S *	3/2010	Lochen	D7/301
D613,722	S	4/2010	Kaneta	
D616,879	S	6/2010	Kim et al.	
D619,573	S	7/2010	Khan et al.	
D631,319	S *	1/2011	Davis	D8/88
7,912,520	B2	3/2011	Choi et al.	
7,962,186	B2	6/2011	Cui et al.	
7,991,440	B2	8/2011	Liu et al.	
D644,638	S	9/2011	Melanson et al.	
D644,639	S	9/2011	Weller et al.	
D647,519	S	10/2011	Rothbaum et al.	

\* cited by examiner

**Related U.S. Application Data**

(62) Division of application No. 29/369,803, filed on Sep. 13, 2010, now Pat. No. Des. 661,558.

(51) **LOC (9) Cl.** ..... **08-05**

(52) **U.S. Cl.** ..... **D8/17**

(58) **Field of Classification Search** ..... D8/17,  
D8/18, 19, 21, 28, 105; 81/119, 120, 121.1,  
81/124.3, 124.4, 125.1, 176.1, 176.2, 186  
See application file for complete search history.

*Primary Examiner* — Raphael Barkai

*Assistant Examiner* — Randall Gholson

(74) *Attorney, Agent, or Firm* — Knobbe Martens Olson & Bear, LLP

(57) **CLAIM**

The ornamental design for a breakout tool, as shown and described.

(56) **References Cited**

**U.S. PATENT DOCUMENTS**

3,579,797	A	5/1971	Pepe	
3,713,200	A	1/1973	Burns	
3,736,643	A	6/1973	Pepe	
4,167,056	A	9/1979	Nattel	
4,509,242	A	4/1985	Marra	
D285,900	S *	9/1986	Chan	D8/105
5,207,126	A *	5/1993	Schaben	81/45
5,937,695	A	8/1999	Patterson	
D417,372	S *	12/1999	Cachot	D8/17
D422,858	S *	4/2000	Moore	D8/17
D444,690	S *	7/2001	Bond	D8/89
D488,689	S *	4/2004	Smith, IV	D8/33
D506,118	S *	6/2005	Rau et al.	D8/89
6,945,137	B1 *	9/2005	Hawkins	81/3.55

**DESCRIPTION**

FIG. 1 is a front perspective view showing a top surface of a breakout tool.

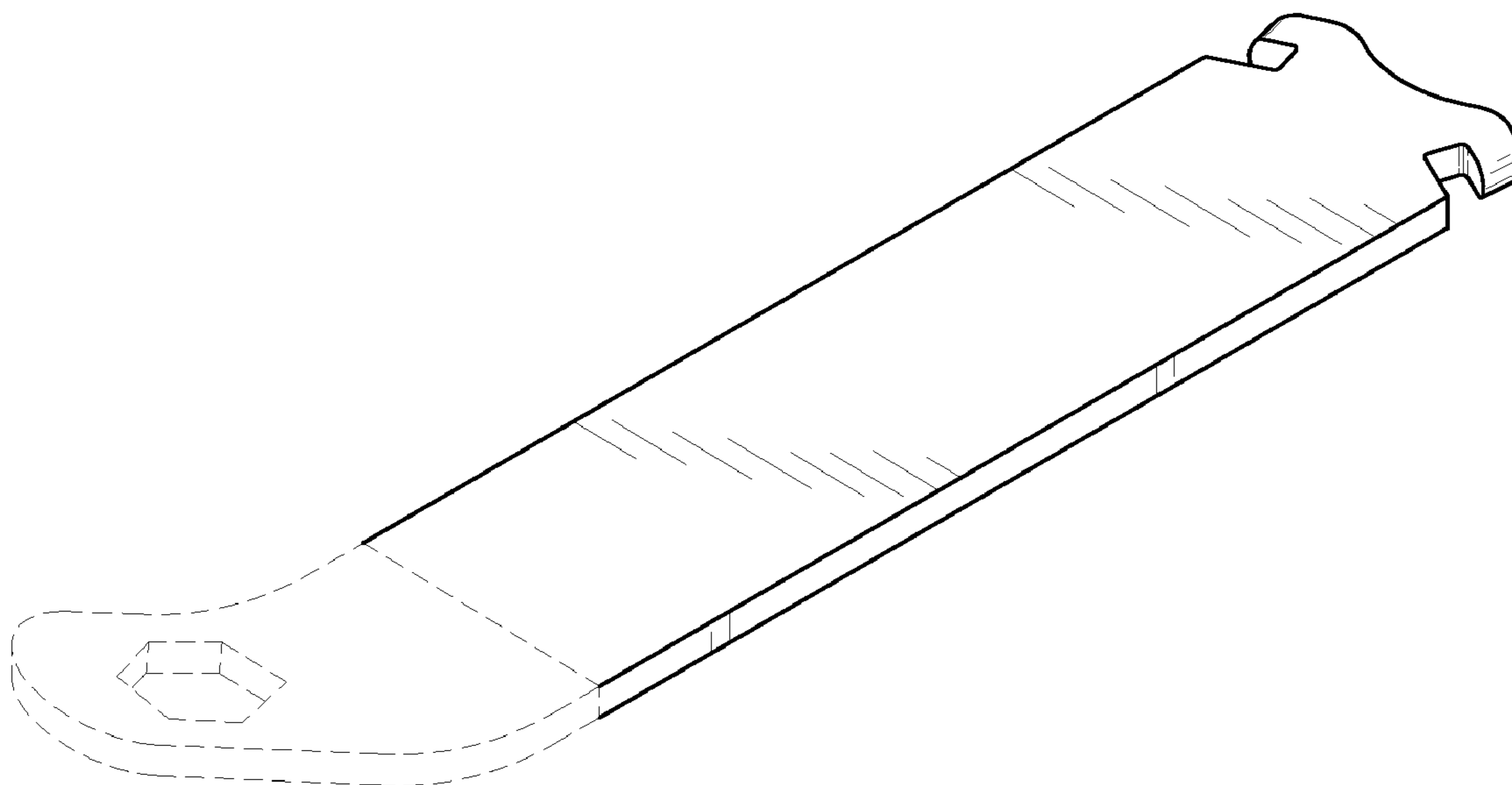
FIG. 2 is a front view showing a bottom surface of the breakout tool of FIG. 1. A rear view of the claimed portion of the breakout tool is a mirror image of the front view.

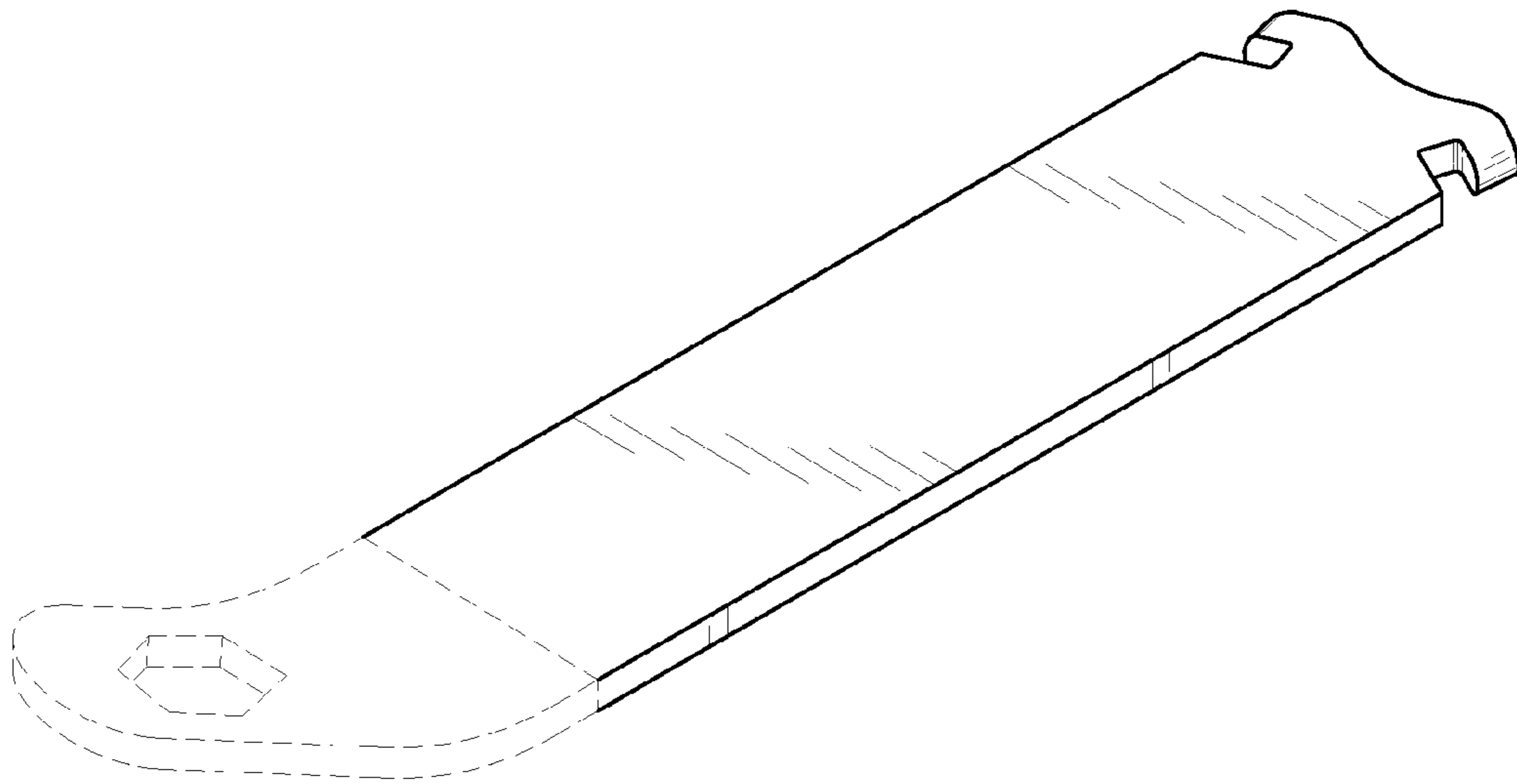
FIG. 3 is a right side view of the breakout tool of FIG. 1. The left side view is a mirror image of the right side view.

FIG. 4 is a top view of the breakout tool of FIG. 1; and, FIG. 5 is a bottom view of the breakout tool of FIG. 1.

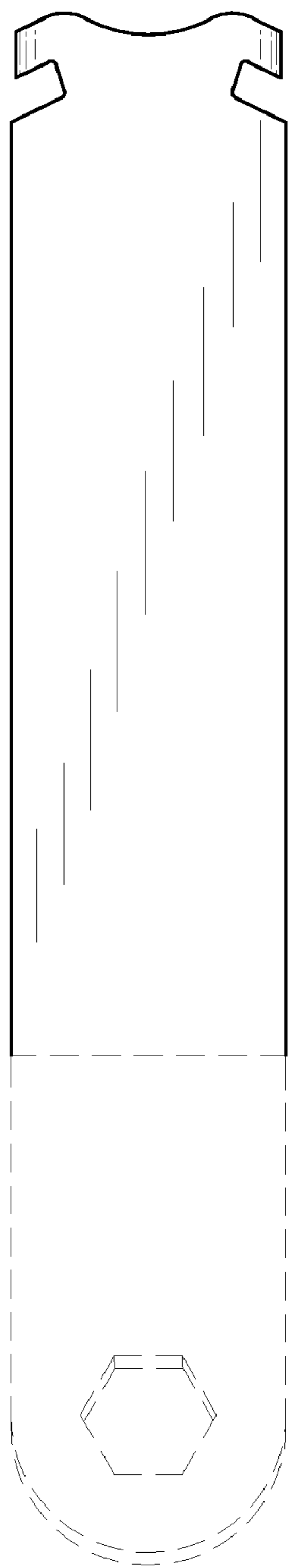
Where utilized, the broken lines show portions of the breakout tool that form no part of the claimed design.

**1 Claim, 3 Drawing Sheets**

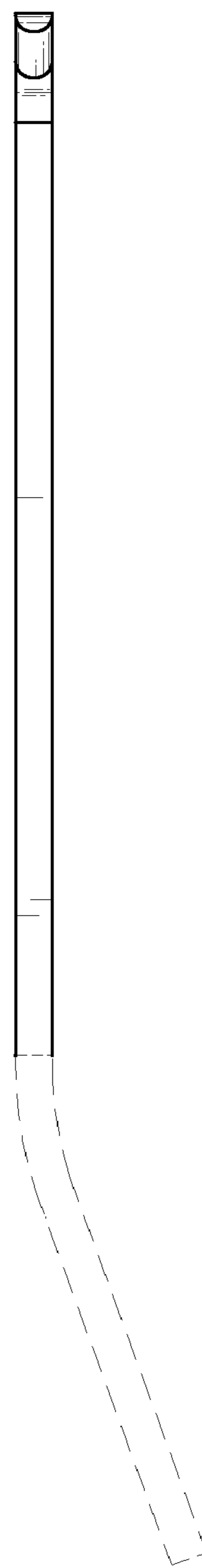




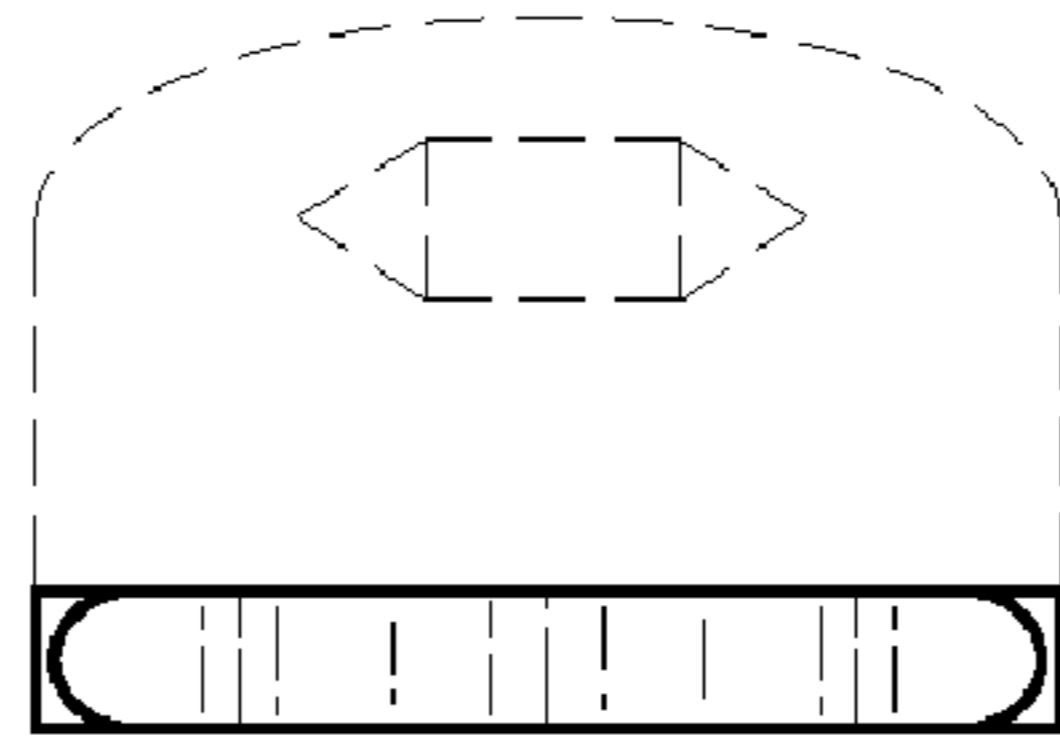
*FIG. 1*



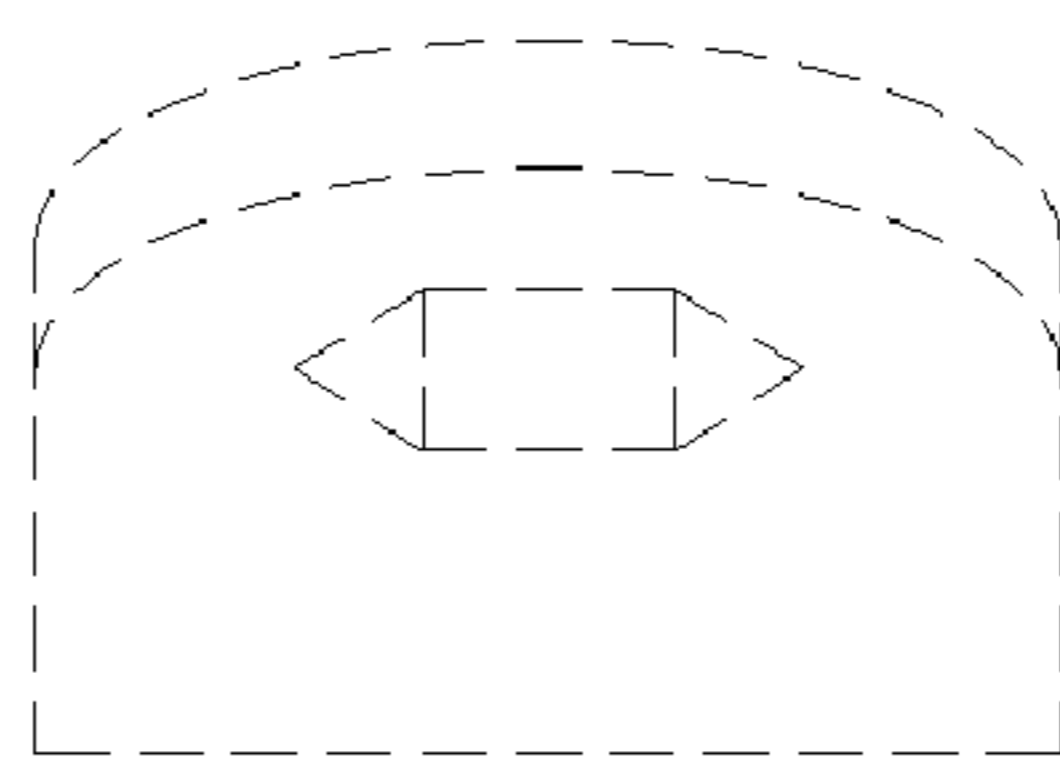
*FIG. 2*



*FIG. 3*



*FIG. 4*



*FIG. 5*