



US00D666464S

(12) **United States Design Patent**
Austin

(10) **Patent No.:** **US D666,464 S**
(45) **Date of Patent:** **** Sep. 4, 2012**

(54) **ABOVE GROUND COLLAPSIBLE GARDEN BED**

(75) Inventor: **Douglas E. Austin**, Lorena, TX (US)

(73) Assignee: **Easy Gardener Products, Inc.**, Waco, TX (US)

(**) Term: **14 Years**

(21) Appl. No.: **29/380,740**

(22) Filed: **Dec. 10, 2010**

(51) **LOC (9) Cl.** **08-01**

(52) **U.S. Cl.** **D8/1**

(58) **Field of Classification Search** D8/1; 47/66.1, 47/65.5, 66.6, 33, 18, 19.1, 79, 65; D23/289, D23/284; 4/650, 645, 626; 297/188.1; D6/335
See application file for complete search history.

(56) **References Cited**

U.S. PATENT DOCUMENTS

2,502,910	A *	4/1950	Wilcox et al.	47/18
2,524,246	A *	10/1950	Young	47/18
2,545,717	A *	3/1951	Voigt	47/18
D362,903	S *	10/1995	Carmichael	D23/284
5,502,848	A *	4/1996	Cowan	4/619
5,813,063	A *	9/1998	Watkins et al.	4/626
5,881,404	A *	3/1999	Knight	4/645
6,094,861	A	8/2000	Sandman et al.	
6,434,882	B1	8/2002	Becker	
6,622,425	B2 *	9/2003	Shepherd	47/17
6,681,522	B2 *	1/2004	Marchioro	47/65.5
D497,199	S *	10/2004	Lockwood	D23/289
D501,541	S *	2/2005	Gordon	D23/284
6,907,693	B1	6/2005	Bemben	
7,036,270	B1 *	5/2006	Shepherd	47/18
7,229,131	B2 *	6/2007	Chen	297/217.4
D569,638	S *	5/2008	Ballard et al.	D6/368
7,424,787	B2	9/2008	Singer	

7,533,491	B2	5/2009	Singer et al.	
D603,025	S *	10/2009	Mahon	D23/284
7,857,380	B2 *	12/2010	Grieger et al.	297/188.1
7,954,183	B2 *	6/2011	Cawthon	4/650
2006/0156626	A1	7/2006	Seaman	
2008/0120905	A1	5/2008	Pai	
2010/0320110	A1	12/2010	Dougherty	

FOREIGN PATENT DOCUMENTS

WO WO2009/012515 A1 1/2009

OTHER PUBLICATIONS

Byer TriLite Wash Station, REI, Printed From Internet May 25, 2010, 1 pg.
Tri Lite Wash Station, Colonial Medical, Printed From Internet May 25, 2010, 2 pgs.

* cited by examiner

Primary Examiner — Sheryl Lane

(74) *Attorney, Agent, or Firm* — O'Keefe, Egan, Peterman & Enders LLP

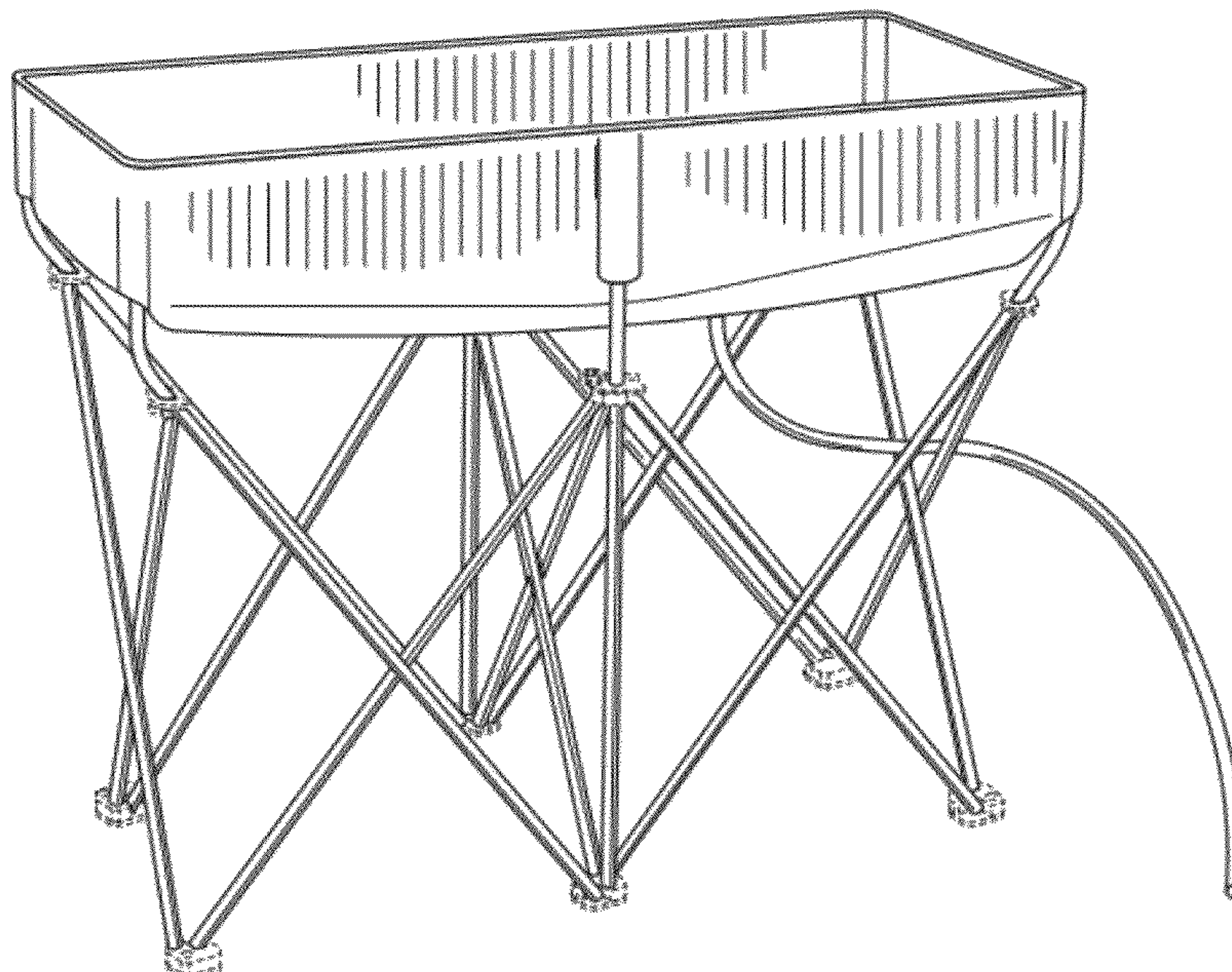
(57) **CLAIM**

The ornamental design for an above ground collapsible garden bed, as shown and described.

DESCRIPTION

FIG. 1 is a front and side perspective view of a collapsible garden bed showing the new design.
FIG. 2 is a bottom perspective view thereof.
FIG. 3 is a back and side perspective view thereof; and,
FIG. 4 is a top perspective view thereof.
The broken line showing of the garden bed is included for the purpose of illustrating portions of the article and forms no part of the claimed design.

1 Claim, 4 Drawing Sheets



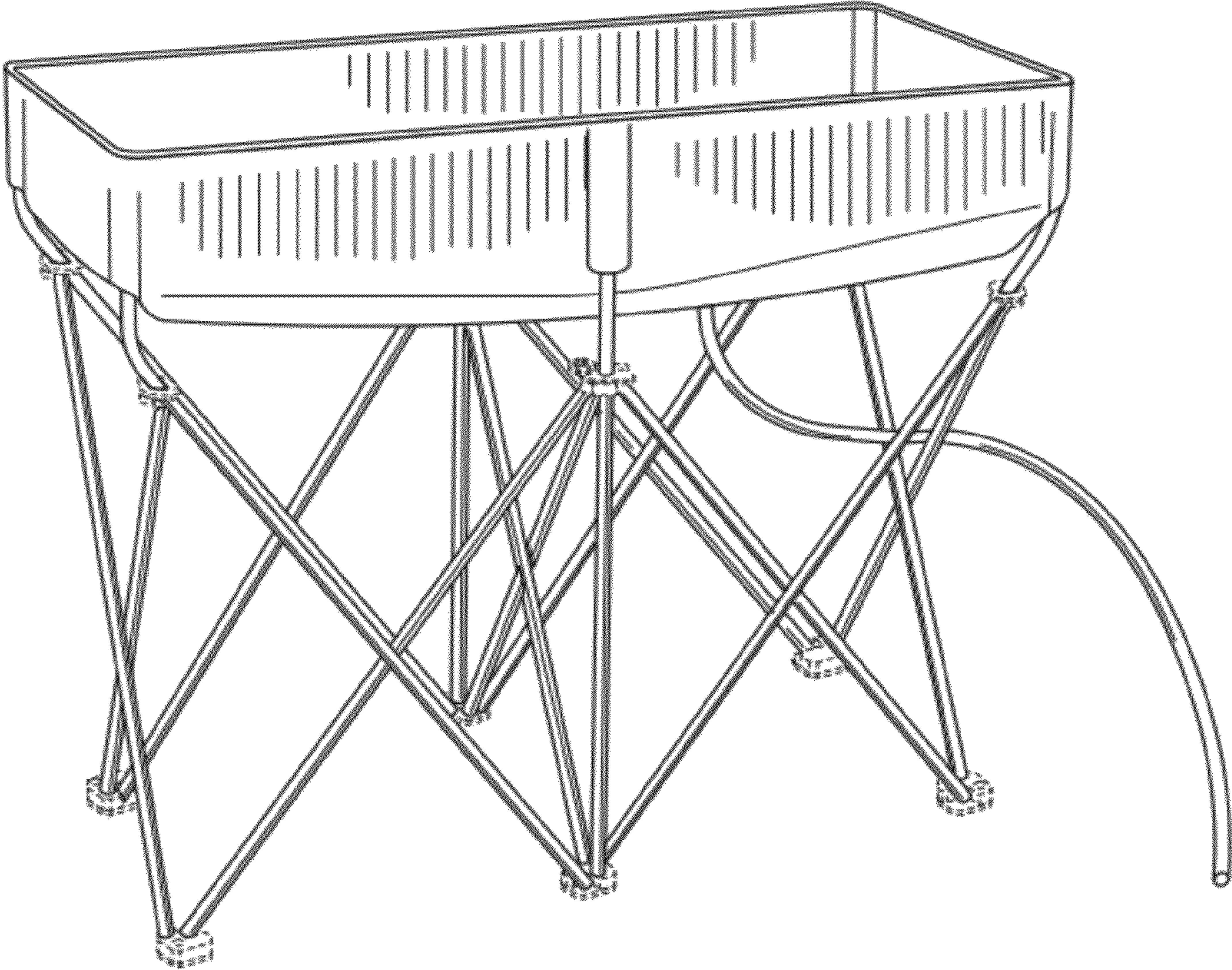


FIG. 1

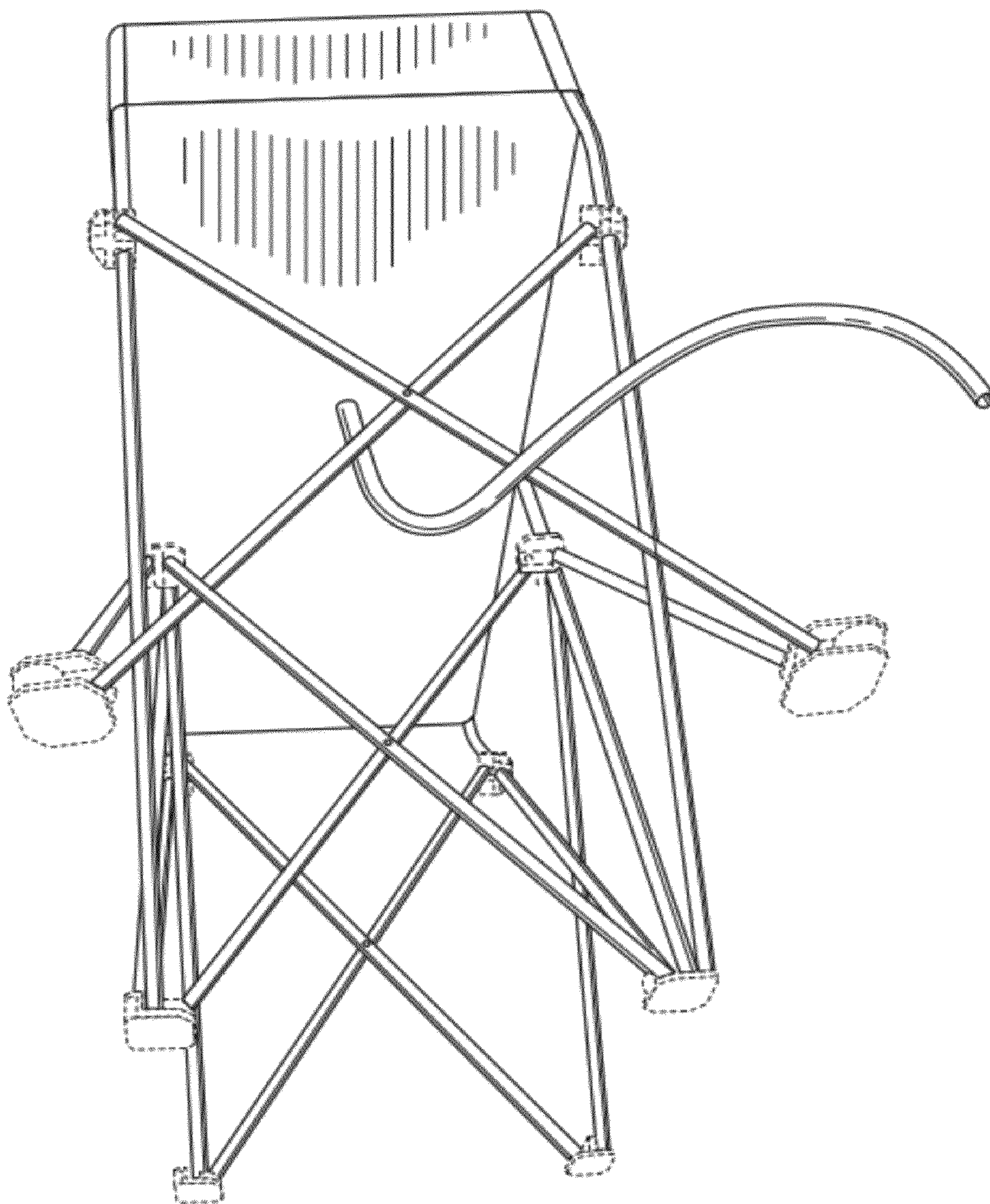


FIG. 2

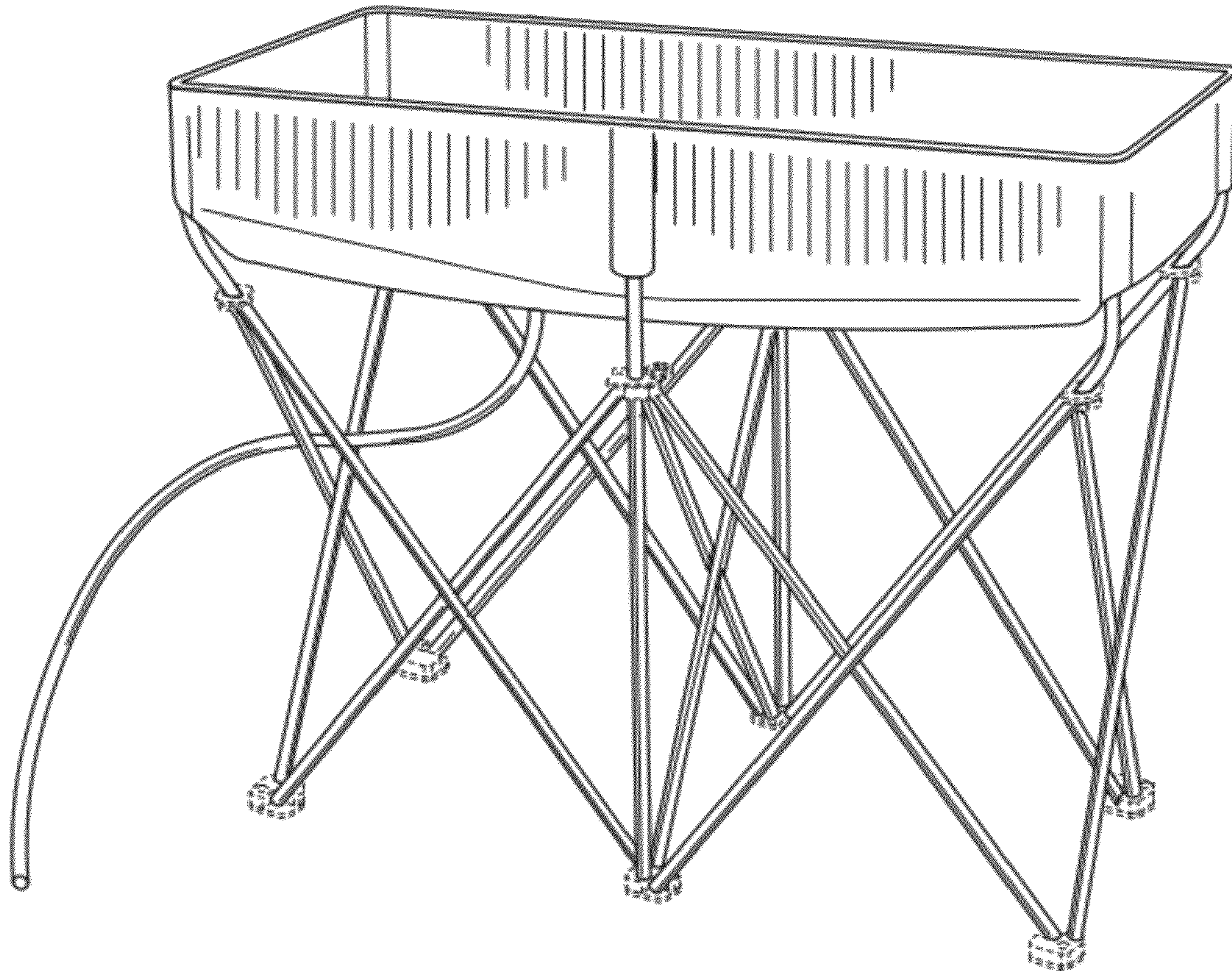


FIG. 3

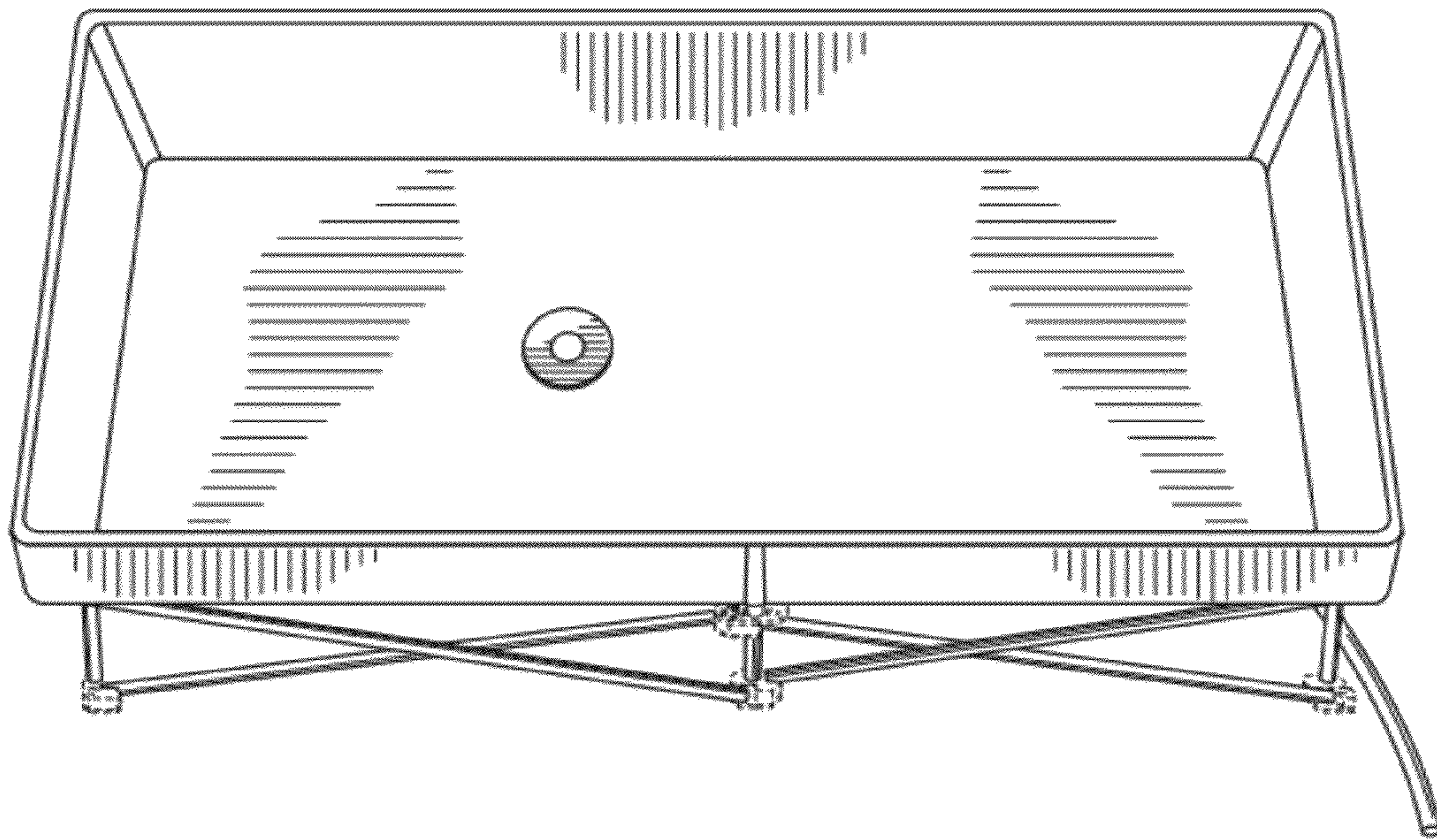


FIG. 4