



US00D666462S

(12) **United States Design Patent**
Hsu

(10) **Patent No.:** **US D666,462 S**

(45) **Date of Patent:** **** Sep. 4, 2012**

(54) **FOOD CONTAINER**

(75) Inventor: **Fu-Chin Hsu**, Taipei (TW)

(73) Assignee: **Tung Ling Industrial Co., Ltd.**, Taipei (TW)

(**) Term: **14 Years**

(21) Appl. No.: **29/417,713**

(22) Filed: **Apr. 6, 2012**

(51) **LOC (9) Cl.** **07-07**

(52) **U.S. Cl.** **D7/629; D7/533**

(58) **Field of Classification Search** D7/601,
D7/602, 612-615, 629, 630, 538-542, 510,
D7/511, 533, 536; D9/424-432; 220/574-575,
220/573.1, 326, 236, 780-806, 4.21, 4.24,
220/288, 260, 737-741, 752, 753
See application file for complete search history.

(56) **References Cited**

U.S. PATENT DOCUMENTS

D317,696 S * 6/1991 Lage D7/536
D498,389 S * 11/2004 Tollman D7/538

D527,222 S * 8/2006 Liu D7/510
D562,072 S * 2/2008 Wahl D7/510
D615,820 S * 5/2010 Wang Chen D7/536
D623,906 S * 9/2010 George D7/629

* cited by examiner

Primary Examiner — Terry Wallace

(74) *Attorney, Agent, or Firm* — Squire Sanders (US) LLP

(57) **CLAIM**

The ornamental design for a food container, as shown and described.

DESCRIPTION

FIG. 1 is a top perspective view of a food container showing my new design;

FIG. 2 is a right side view thereof;

FIG. 3 is a left side view thereof;

FIG. 4 is a rear view thereof;

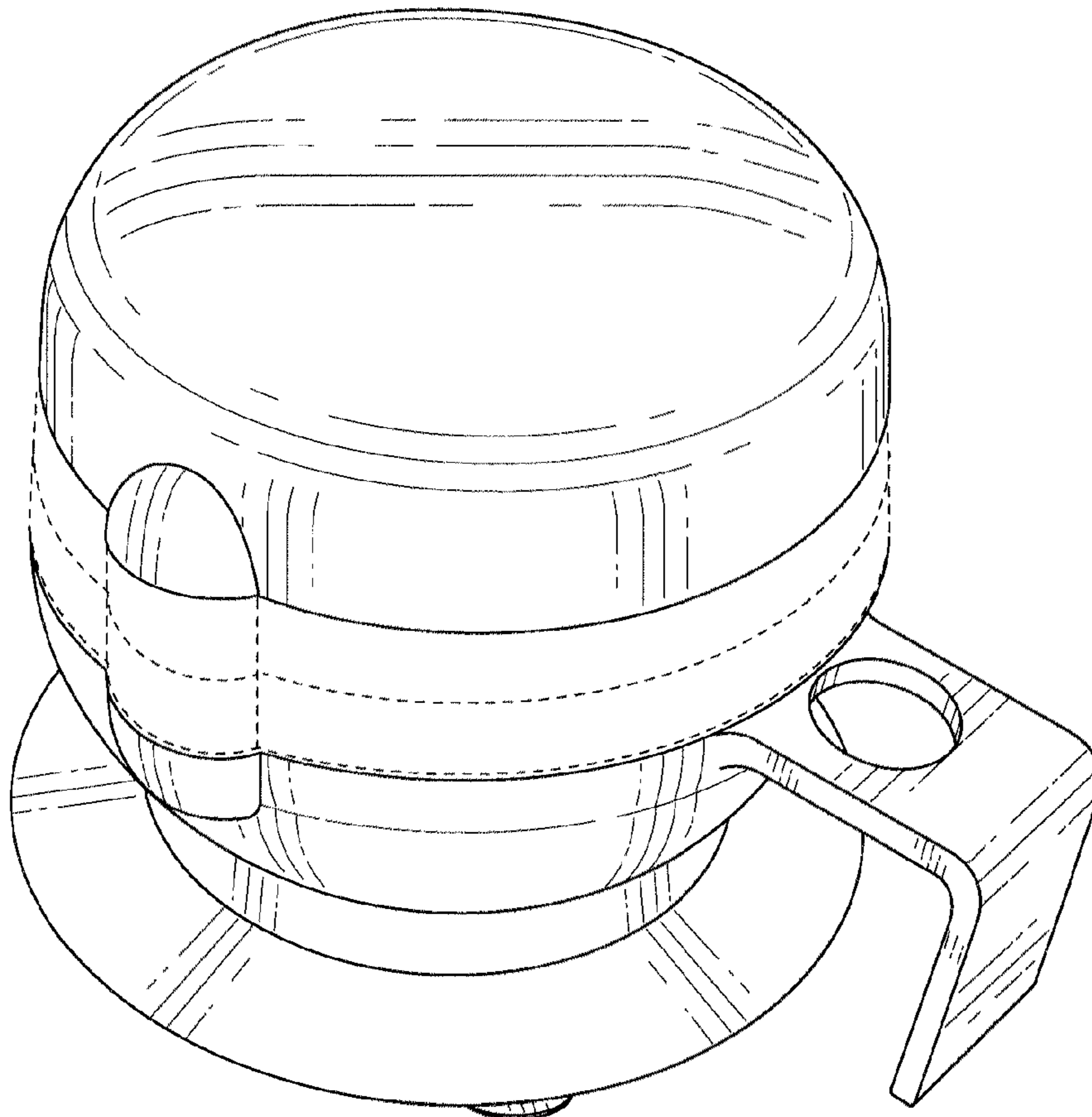
FIG. 5 is a front thereof;

FIG. 6 is a top view thereof; and,

FIG. 7 is a bottom view thereof.

The portion shown by broken lines is for illustrative purposes only and forms no part of the claimed design.

1 Claim, 4 Drawing Sheets



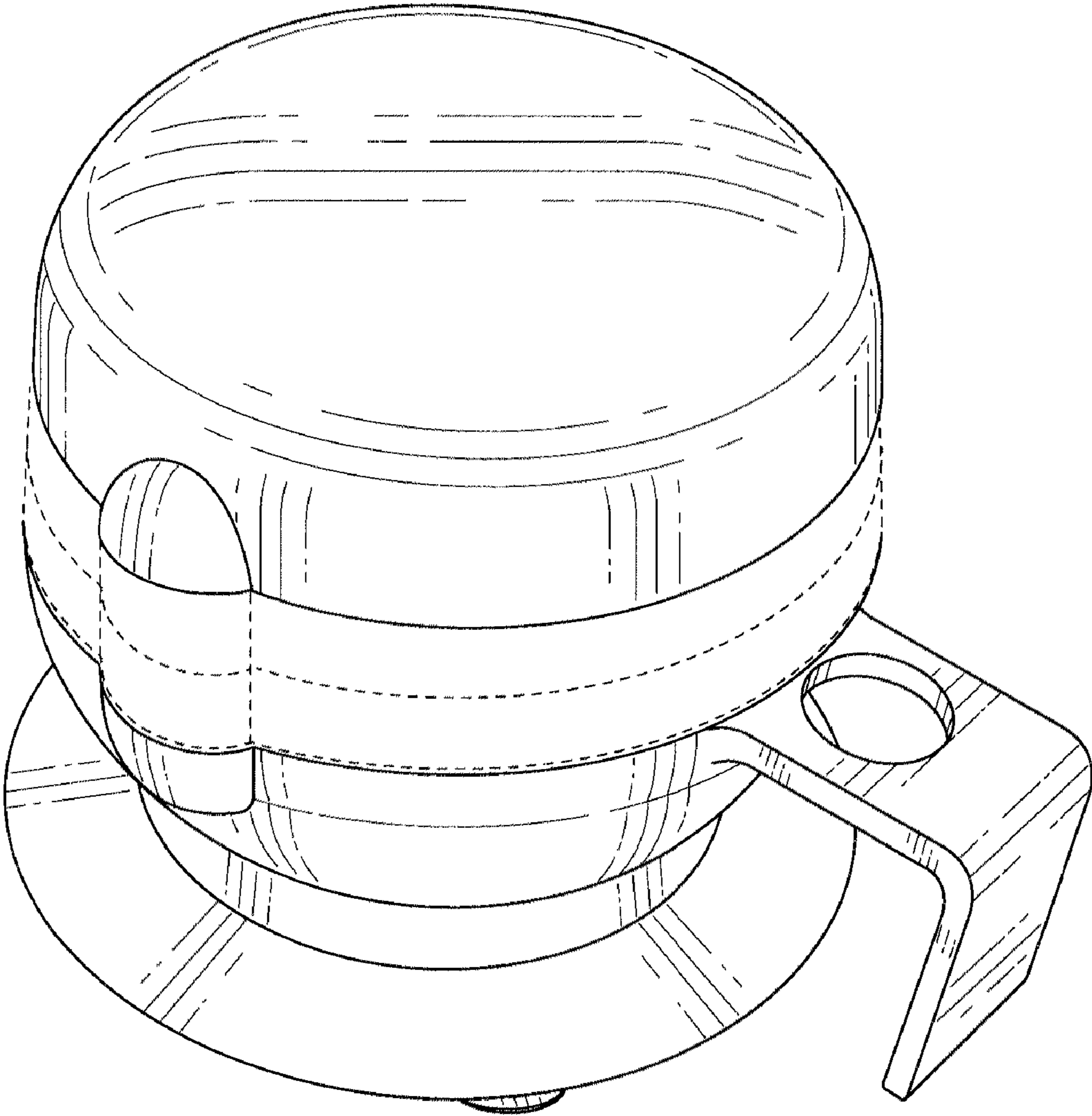


FIG. 1

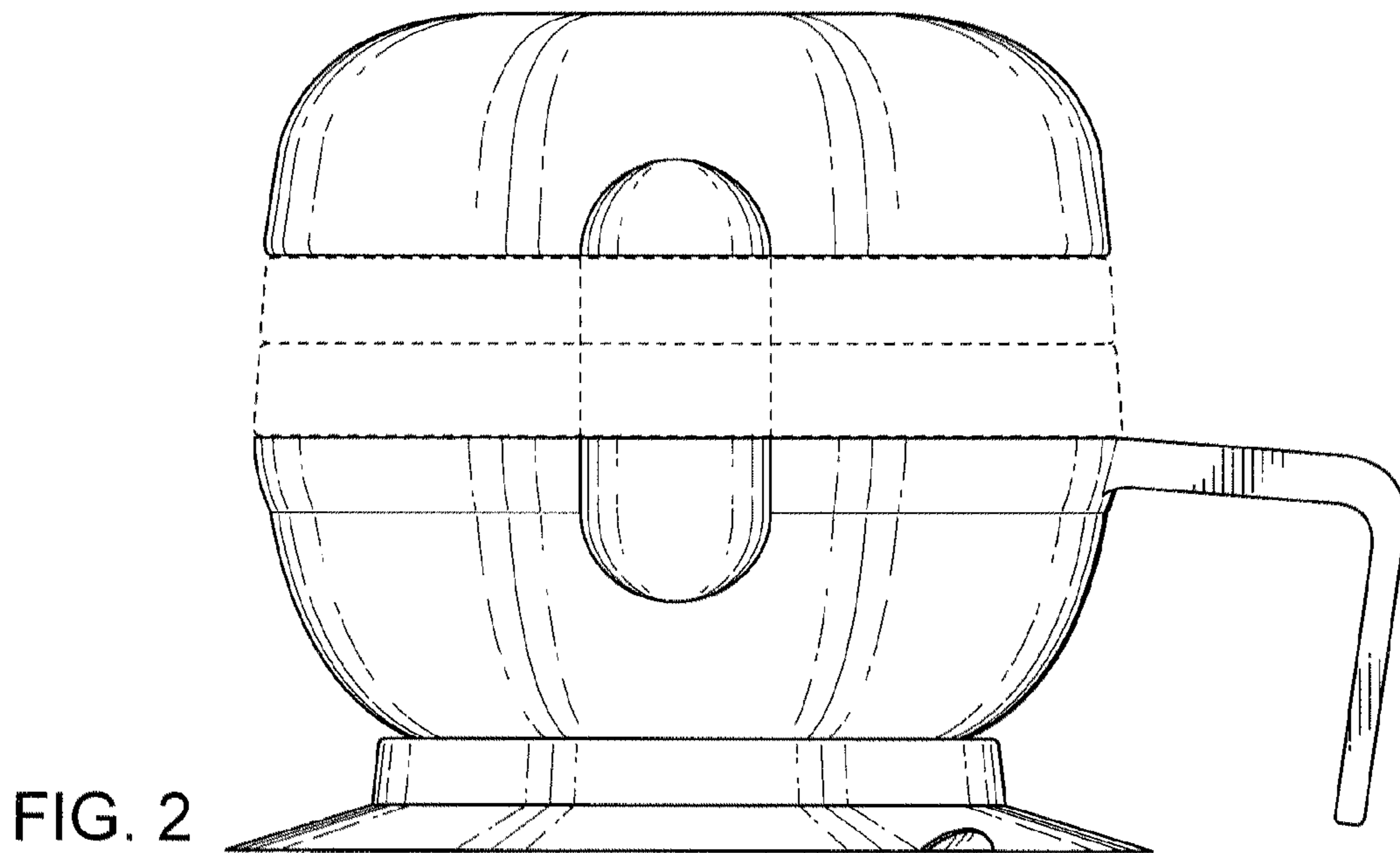


FIG. 2

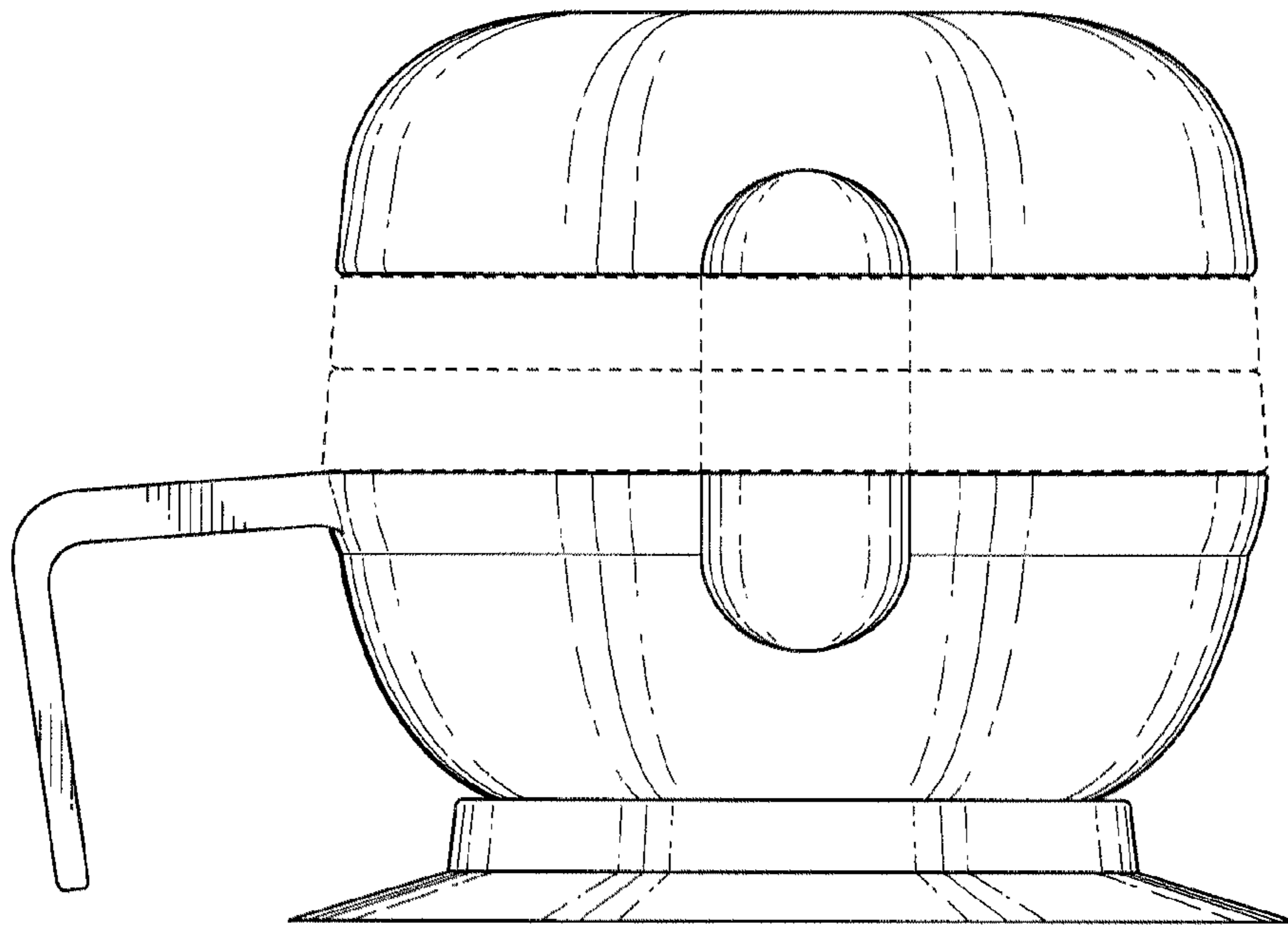


FIG. 3

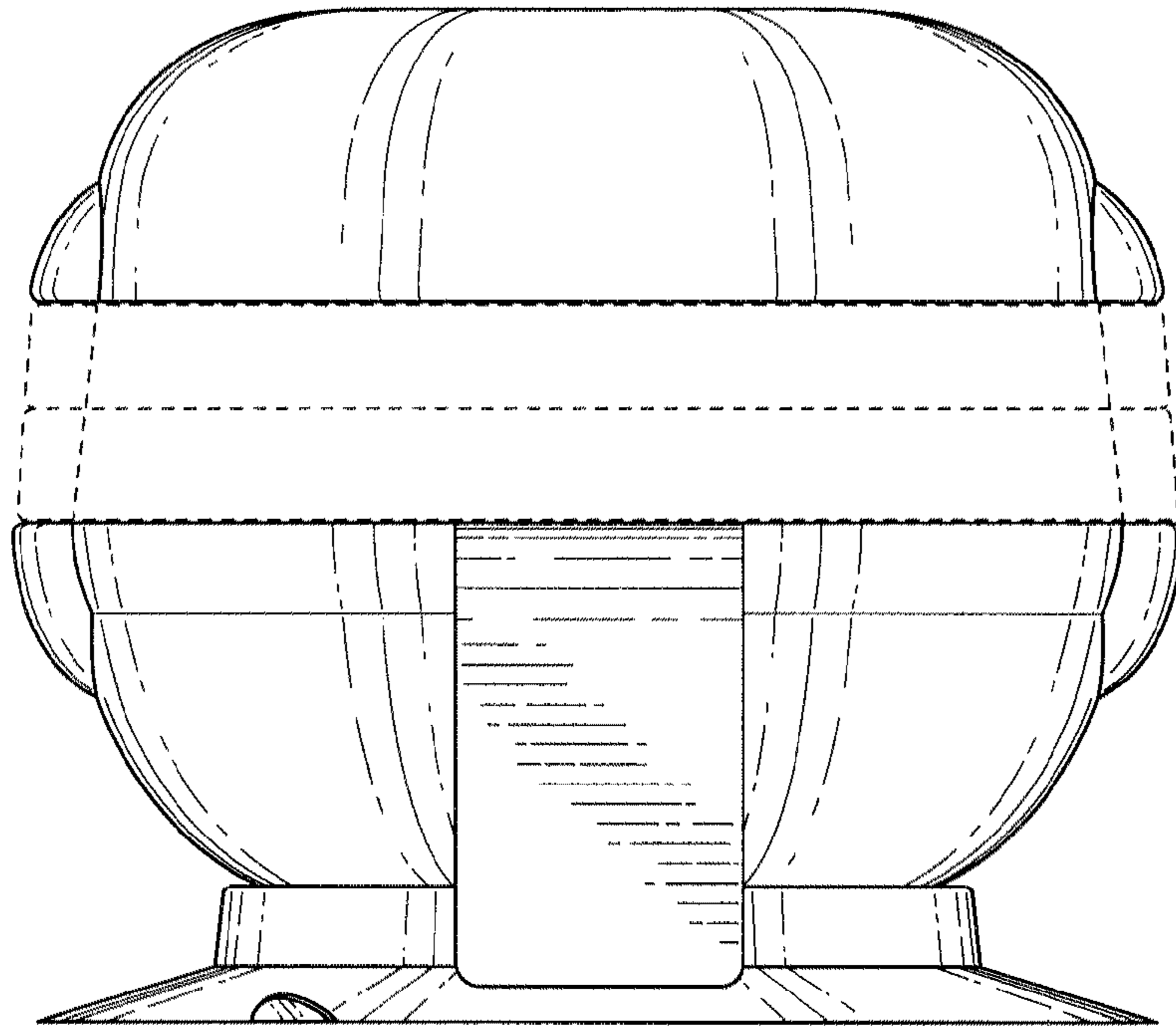


FIG. 4

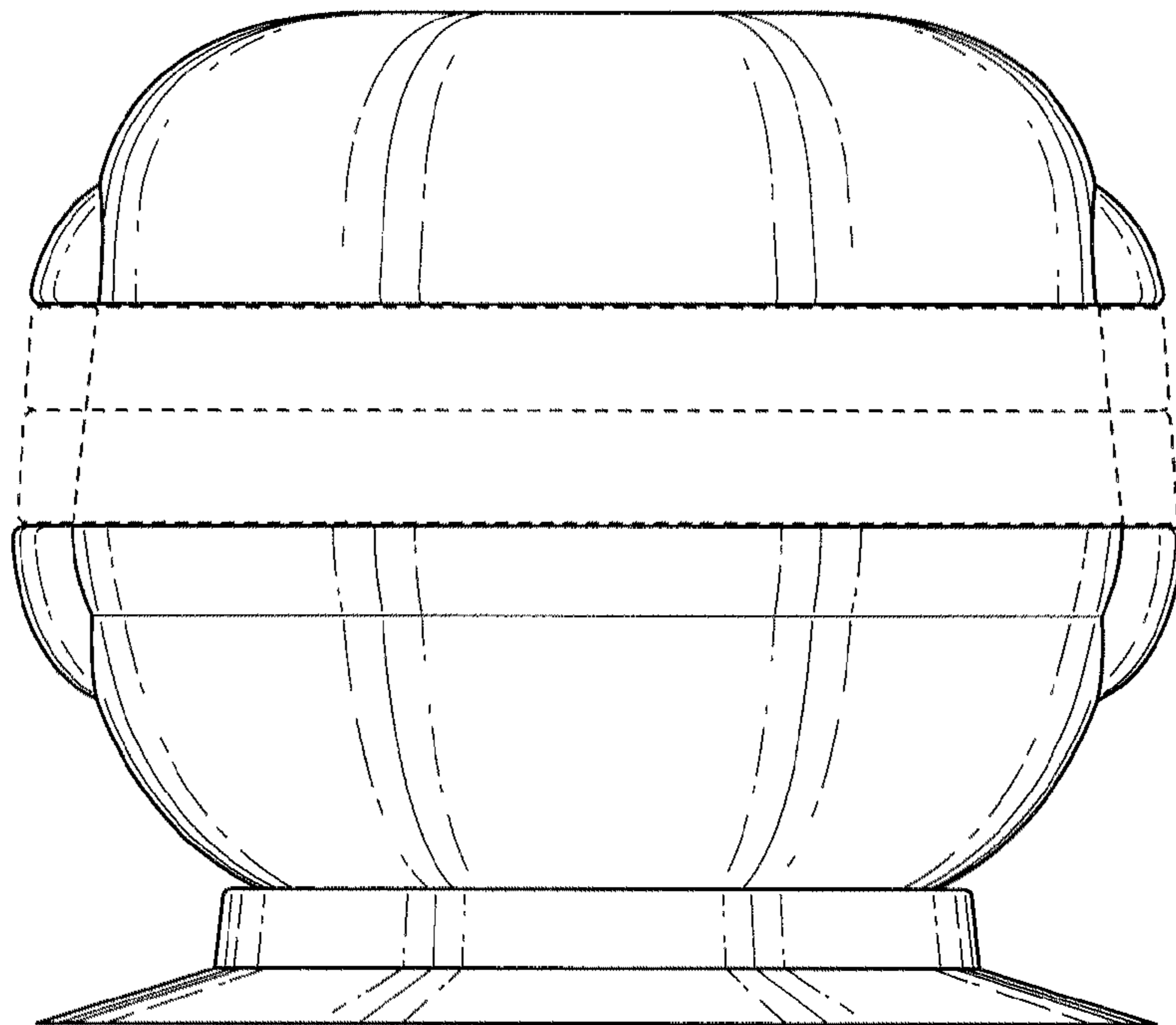


FIG. 5

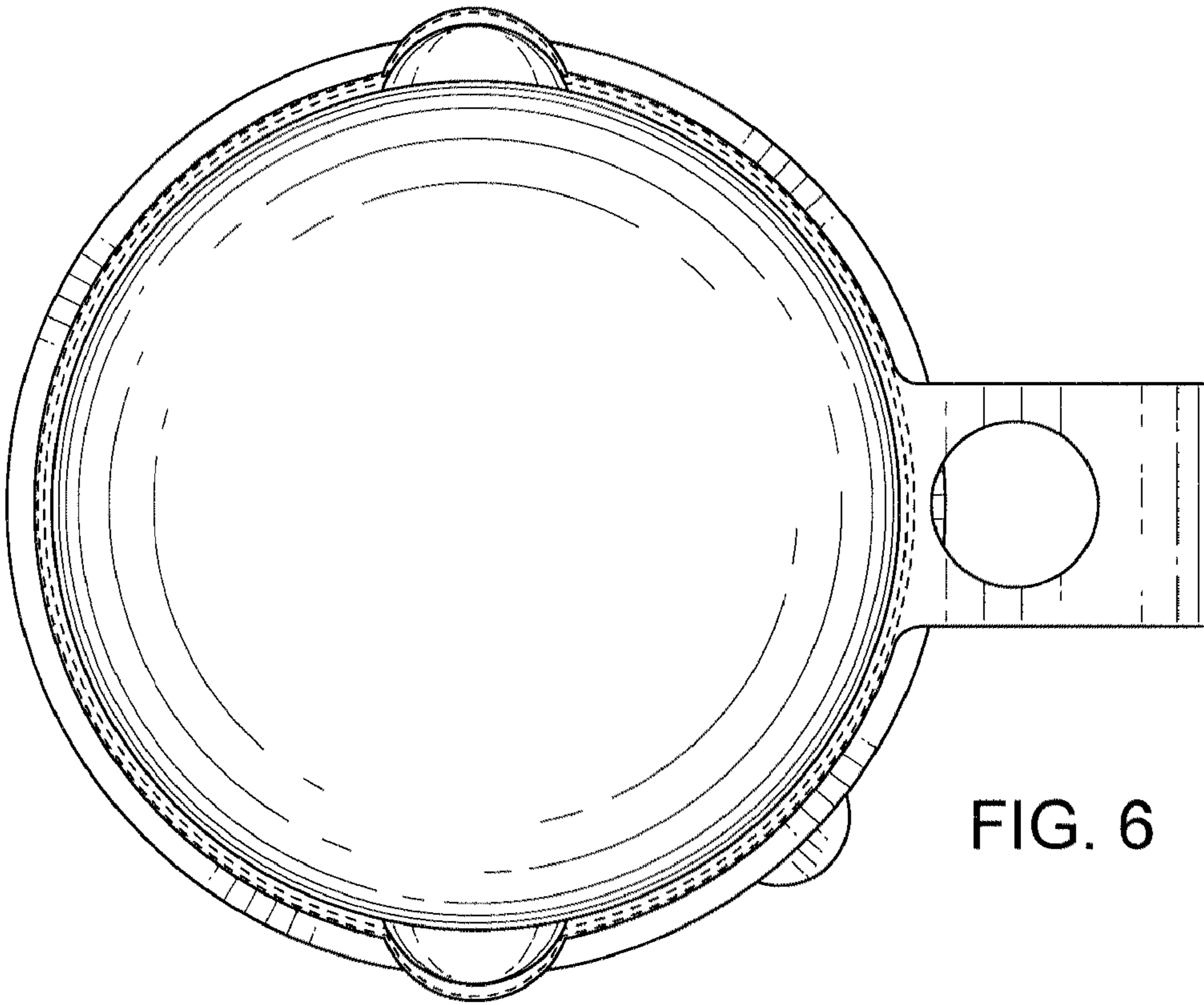


FIG. 6

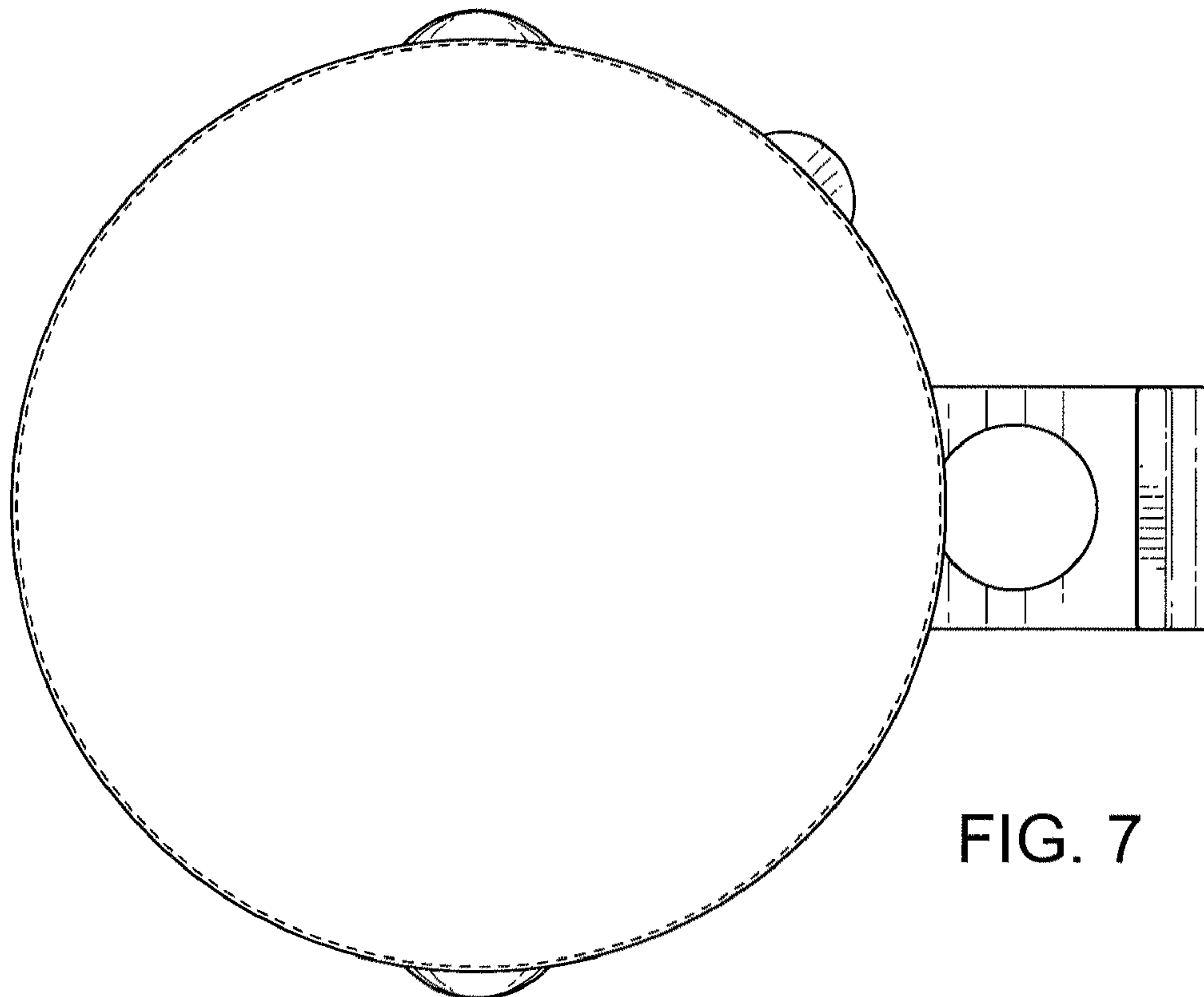


FIG. 7