

US00D666459S

(12) **United States Design Patent**
Kolano

(10) **Patent No.:** **US D666,459 S**

(45) **Date of Patent:** **** Sep. 4, 2012**

(54) **FOOD CONTAINER**

(75) Inventor: **William Kolano**, Pittsburgh, PA (US)

(73) Assignee: **Hutzler Manufacturing Co., Inc.**,
Canaan, CT (US)

(**) Term: **14 Years**

(21) Appl. No.: **29/409,705**

(22) Filed: **Dec. 28, 2011**

(51) **LOC (9) Cl.** **07-01**

(52) **U.S. Cl.** **D7/628**; D9/644

(58) **Field of Classification Search** D7/602,

D7/628, 629, 630, 538-542; D9/424-432,

D9/644; D3/273; 220/669-673, 675, 574-575,

220/573.1, 660, 326, 236, 780-806, 23.83,

220/23.8, 4.21, 4.24, 288, 260; 206/457

See application file for complete search history.

(56) **References Cited**

U.S. PATENT DOCUMENTS

D267,928 S * 2/1983 Bianchi D9/643

4,795,033 A * 1/1989 Duffy 206/457

D355,596 S * 2/1995 Weder et al. D9/644

D356,032 S * 3/1995 Weder et al. D9/644

D402,545 S * 12/1998 Kerdoon et al. D9/601

D485,167 S * 1/2004 Chan D9/643

D522,375 S * 6/2006 Archeny D9/644

* cited by examiner

Primary Examiner — Terry Wallace

(74) *Attorney, Agent, or Firm* — Michael J. Striker

(57) **CLAIM**

The ornamental design for the food container, as shown and described.

DESCRIPTION

FIG. 1 is a three-quarter exploded perspective view of a food container showing my new design;

FIG. 2 is a front exploded elevation view thereof;

FIG. 3 is a rear exploded elevation view thereof;

FIG. 4 is a right side exploded elevation view thereof;

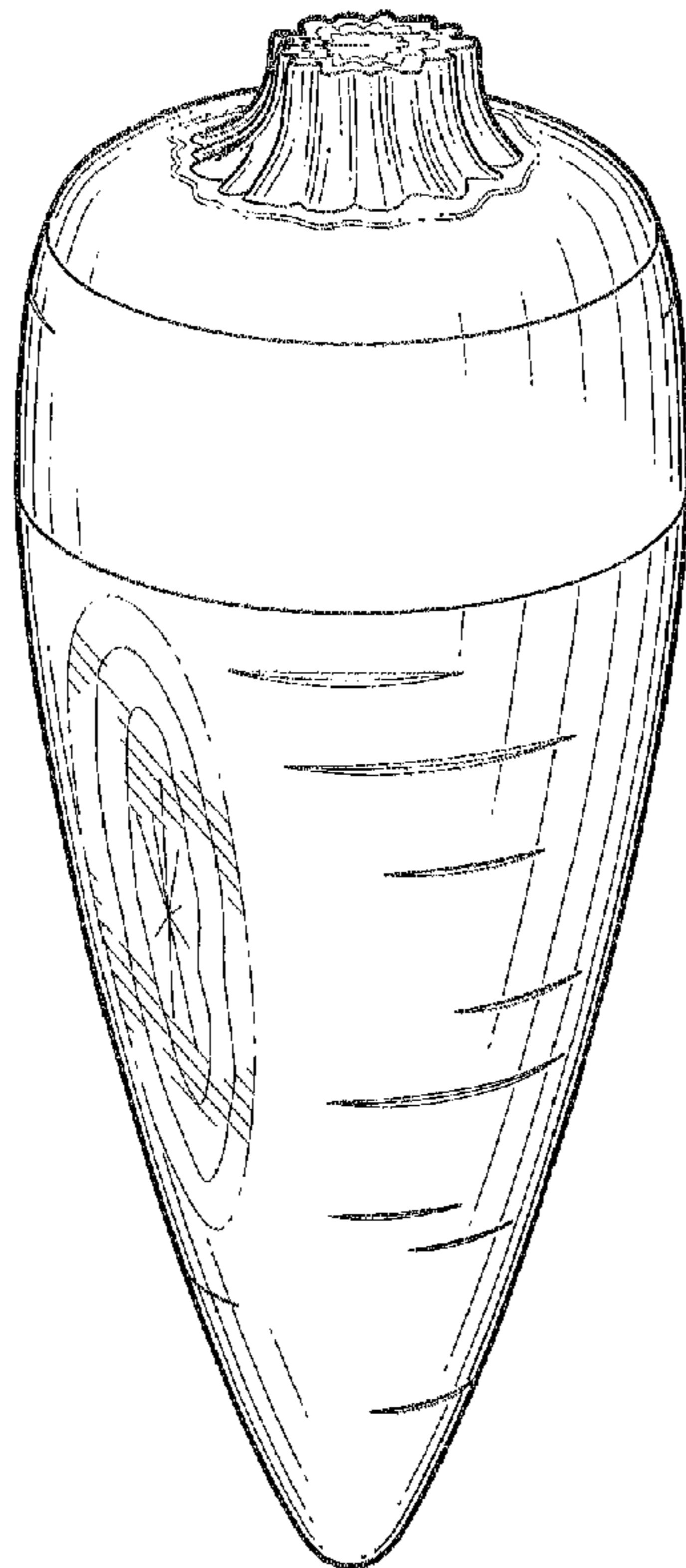
FIG. 5 is a left side exploded elevation view thereof;

FIG. 6 is a top plan exploded view thereof;

FIG. 7 is a bottom plan exploded view thereof; and,

FIG. 8 is a three-quarter perspective view thereof.

1 Claim, 7 Drawing Sheets



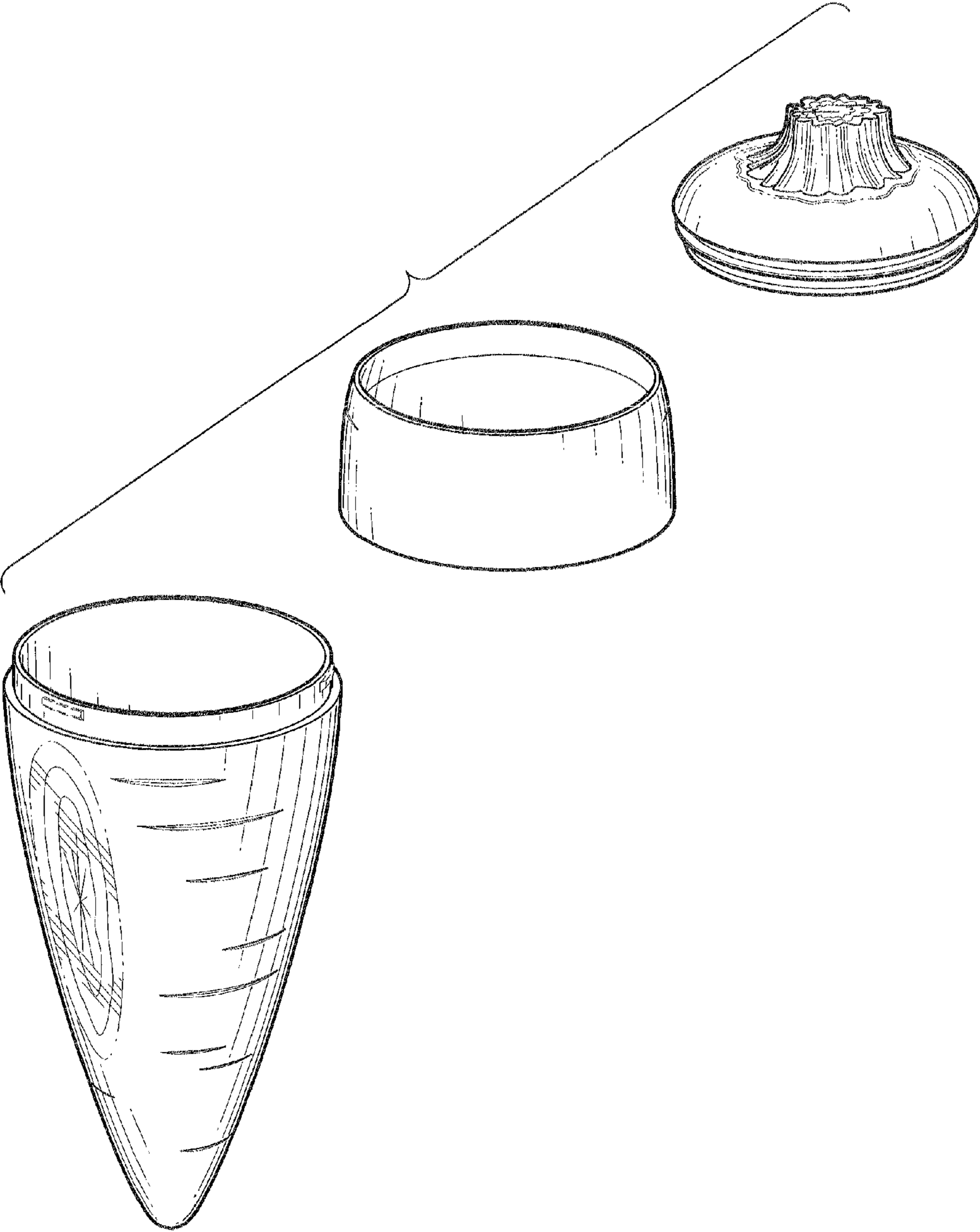


FIG. 1

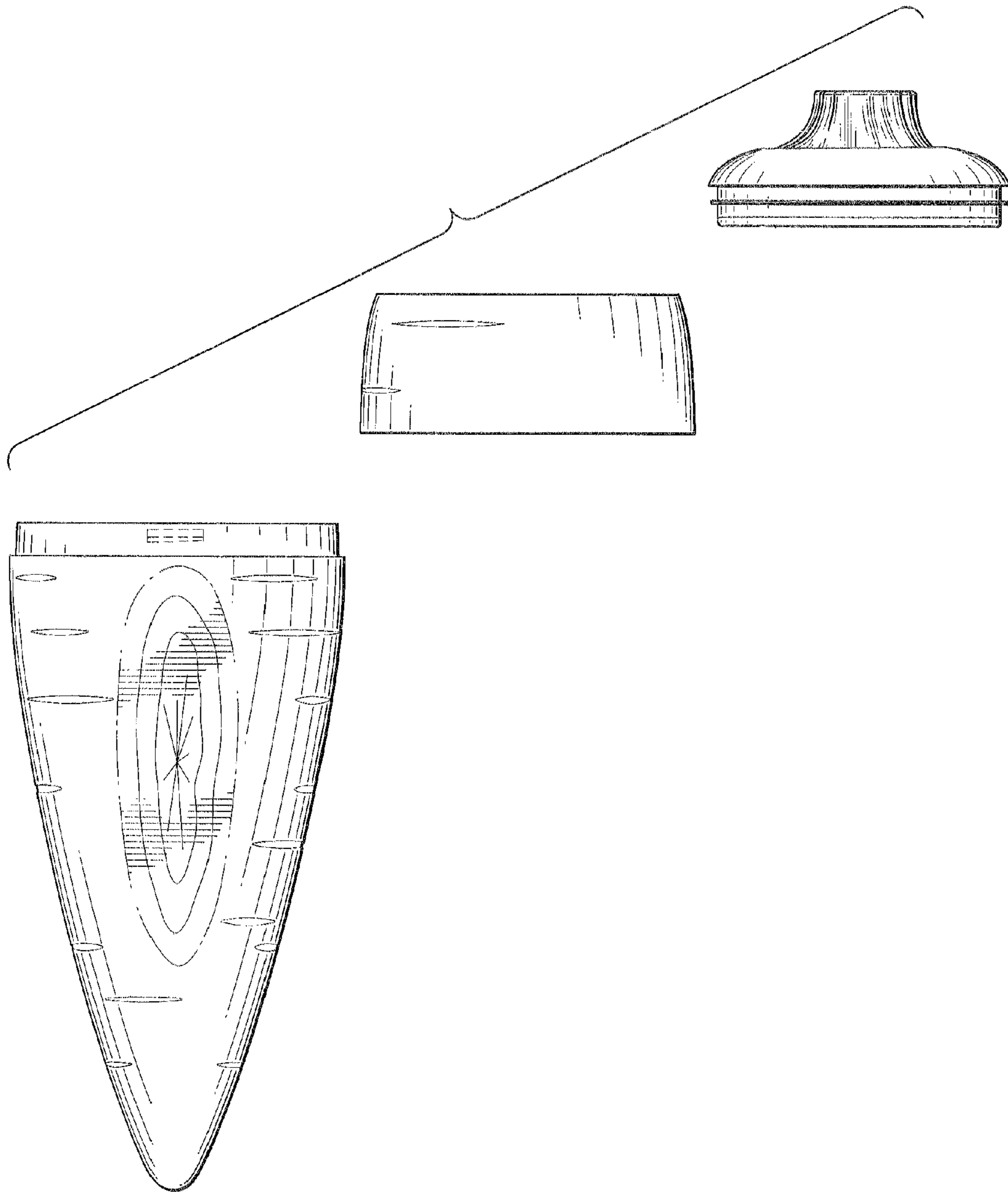


FIG. 2

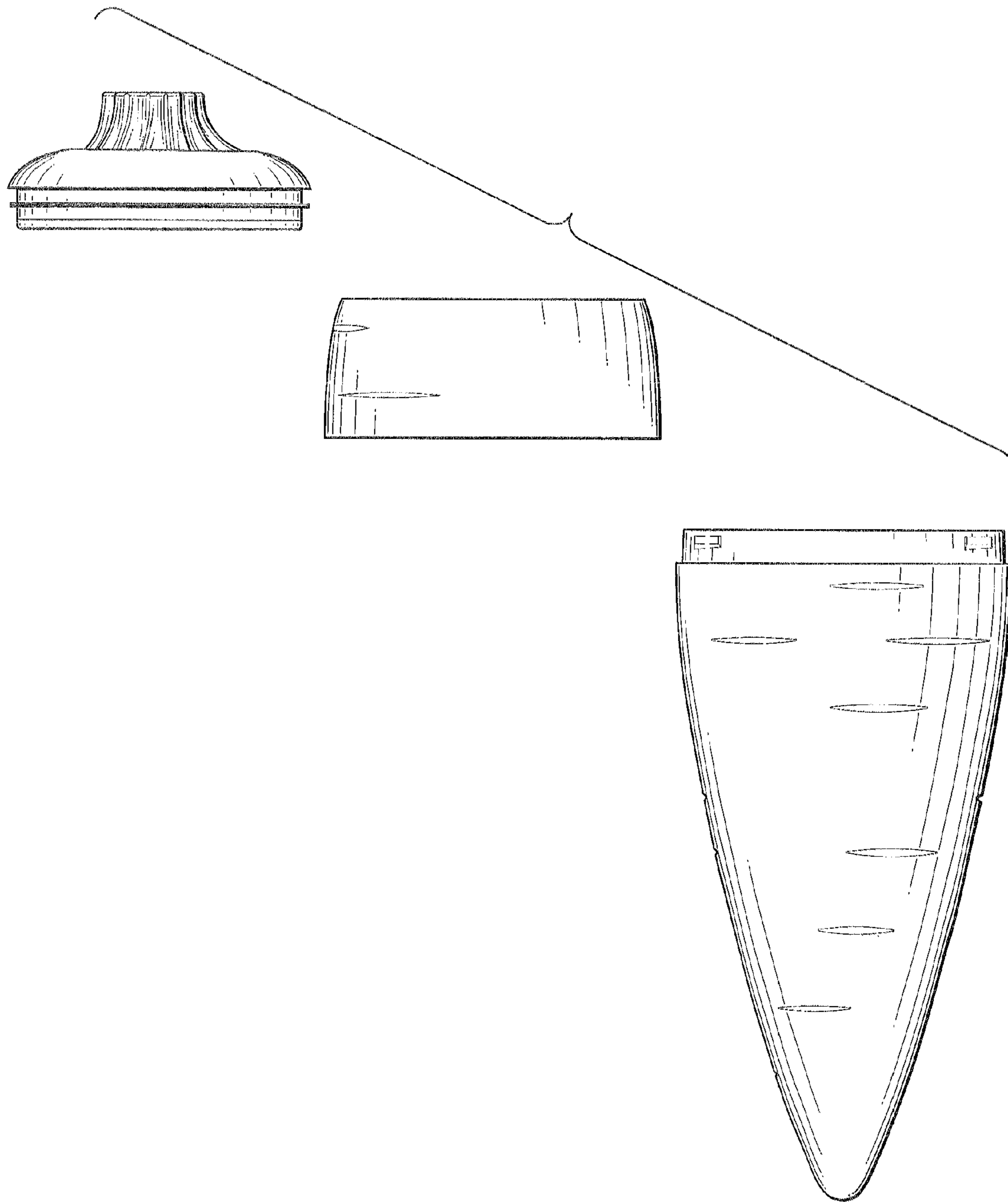


FIG. 3

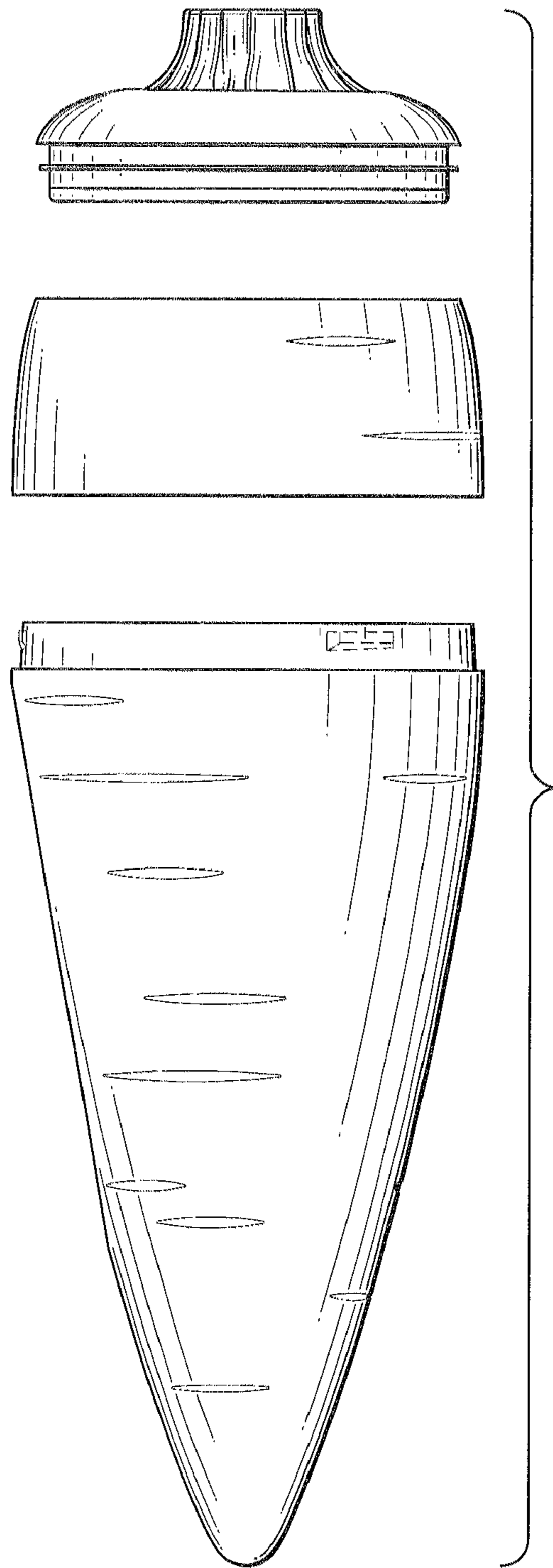


FIG. 4

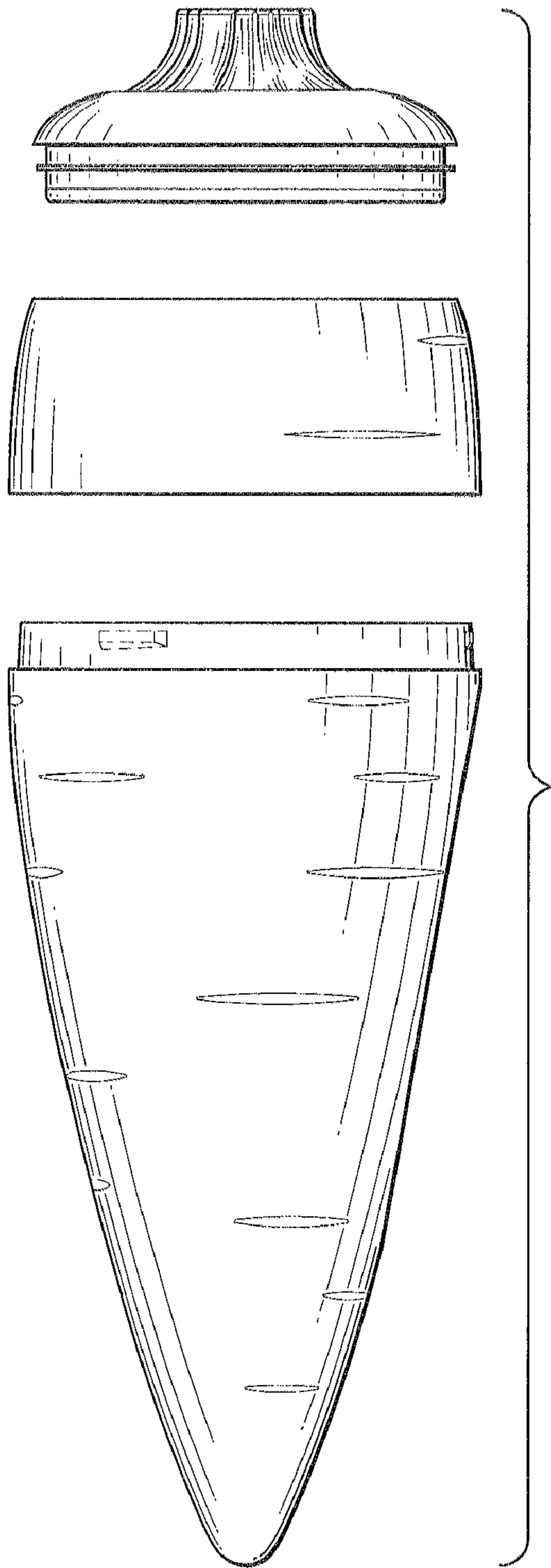


FIG. 5

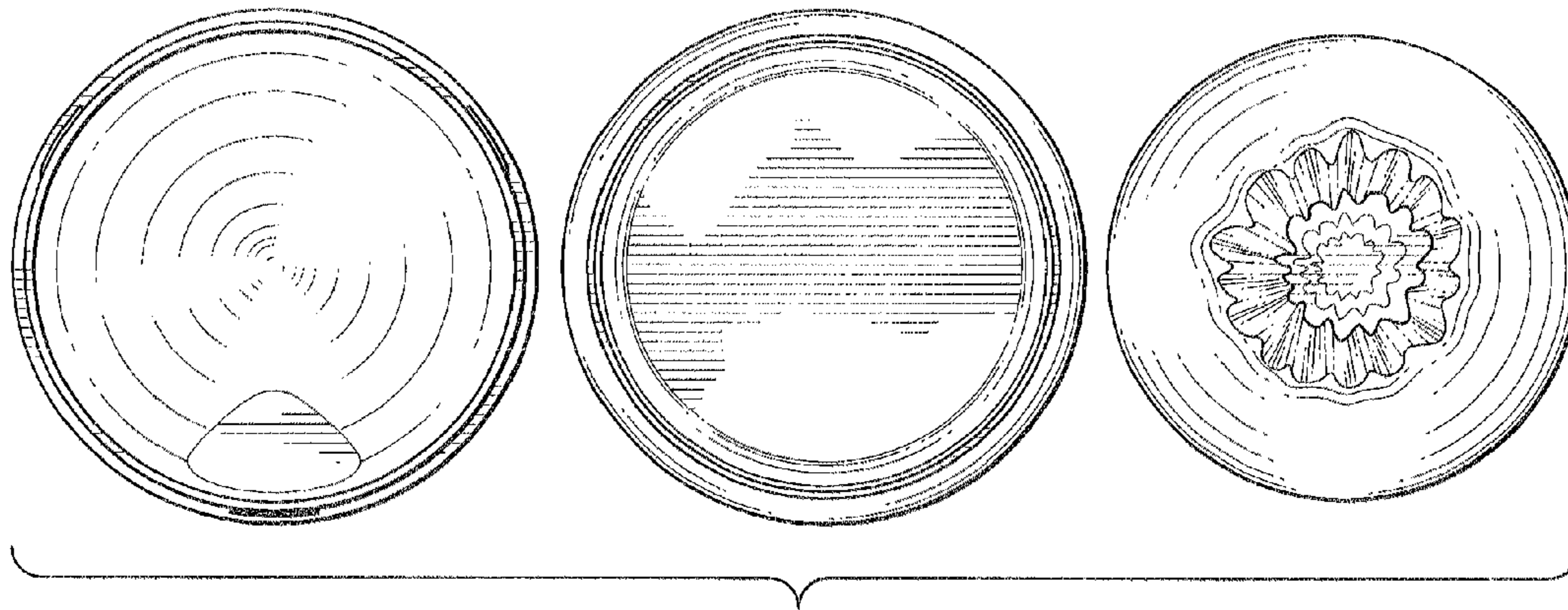


FIG. 6

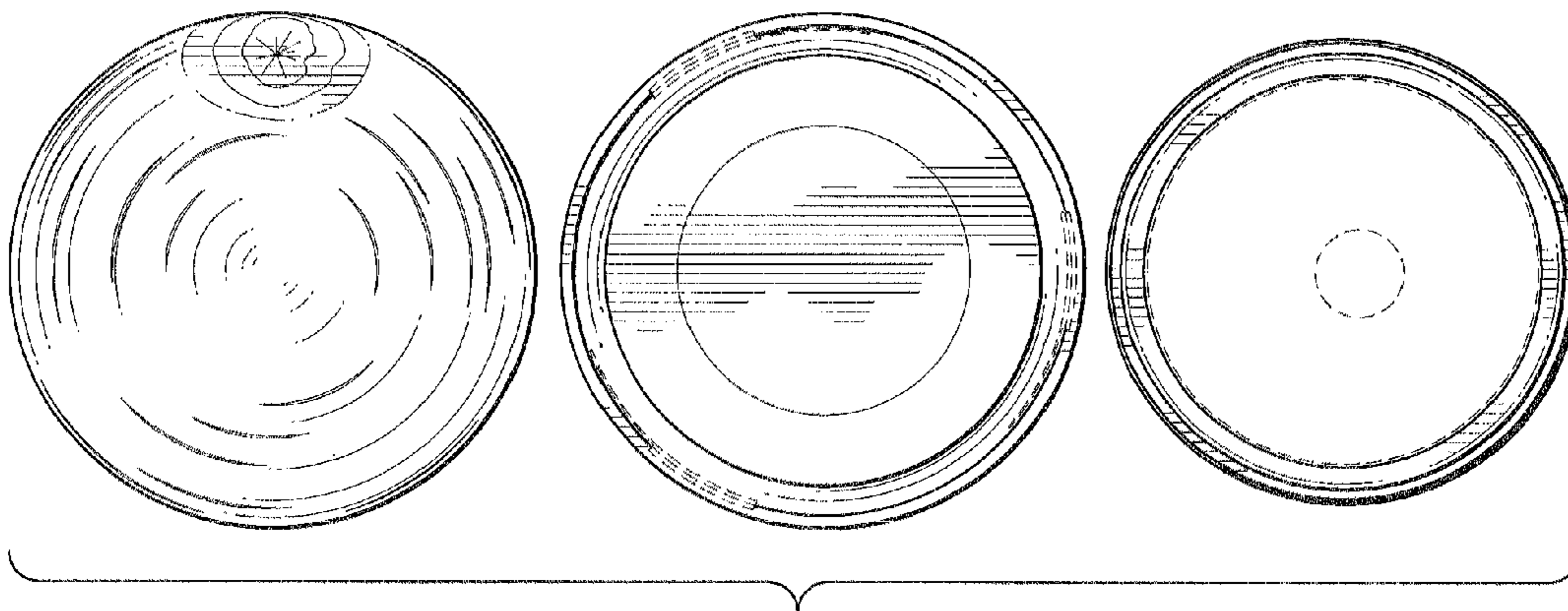


FIG. 7

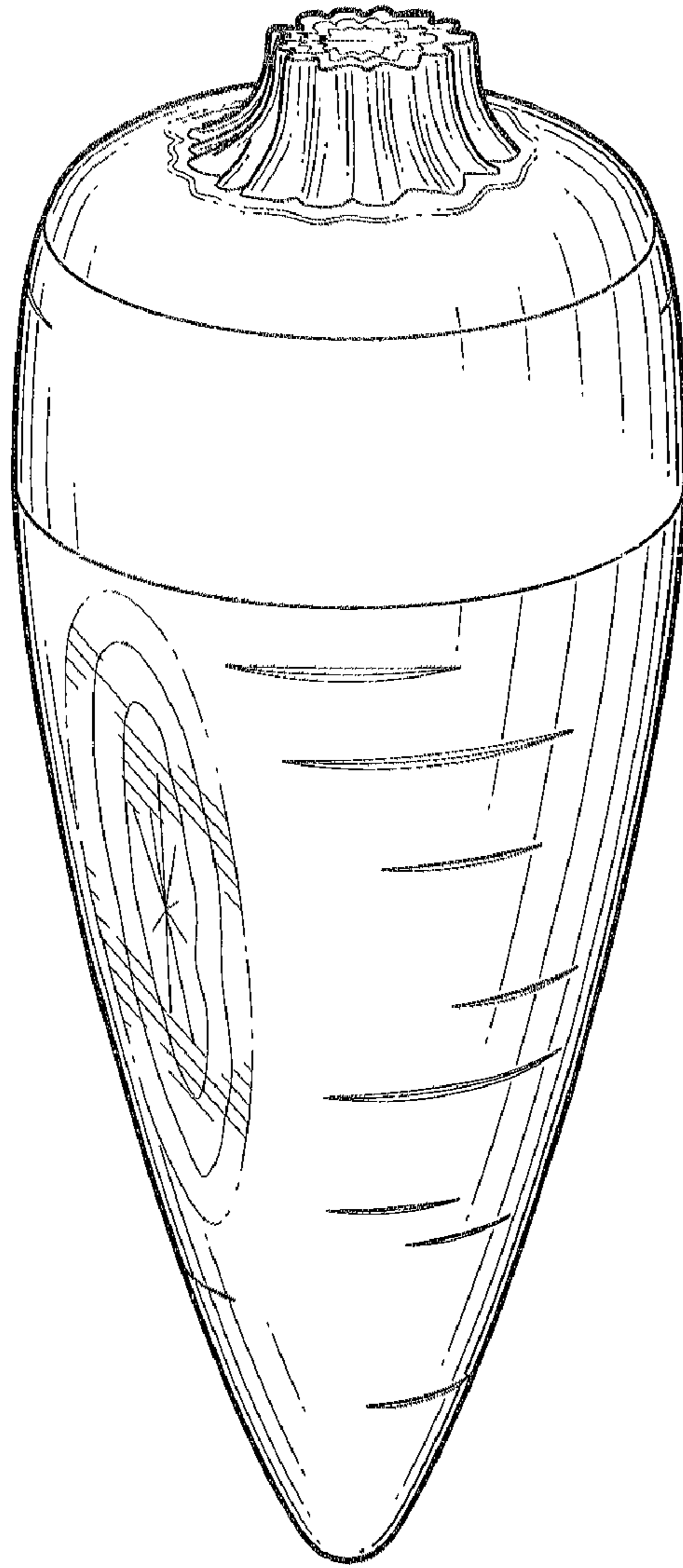


FIG. 8