

US00D666458S

(12) **United States Design Patent**
Montgomery

(10) **Patent No.:** **US D666,458 S**

(45) **Date of Patent:** **** Sep. 4, 2012**

(54) **BOWL WITH UTENSIL RETENTION FEATURE**

(75) Inventor: **Seana L. Montgomery**, McKinney, TX (US)

(73) Assignee: **Seana L. Montgomery**, McKinney, TX (US)

(**) Term: **14 Years**

(21) Appl. No.: **29/369,663**

(22) Filed: **Sep. 10, 2010**

(51) **LOC (9) Cl.** **07-01**

(52) **U.S. Cl.** **D7/586; D7/587**

(58) **Field of Classification Search** D7/505, D7/500, 587, 586, 506, 538, 555, 541, 546, D7/548, 553.1, 545, 610, 566, 570; D9/307, D9/341, 342, 343, 344, 345, 346, 347, 348, D9/543; 206/561; 220/575

See application file for complete search history.

(56) **References Cited**

U.S. PATENT DOCUMENTS

D109,508 S *	5/1938	Wood	D7/566
D113,856 S *	3/1939	Smith	D7/587
2,655,016 A *	10/1953	Hudson	220/575
D270,887 S *	10/1983	Allgeyer et al.	D7/359
D391,118 S *	2/1998	Jørgensen	D7/586

D443,181 S *	6/2001	Miller	D7/587
D482,575 S *	11/2003	Mountain	D7/586
D509,994 S *	9/2005	Hadland	D7/587
D560,434 S *	1/2008	Feil	D7/413
D564,302 S *	3/2008	Freeman	D7/605
D593,807 S *	6/2009	Kong	D7/586
D627,198 S *	11/2010	Hull et al.	D7/587
D630,891 S *	1/2011	Thonis	D7/396.1
D639,115 S *	6/2011	Stewart et al.	D7/543
D656,792 S *	4/2012	Sink et al.	D7/586
2009/0241347 A1 *	10/2009	Weaver	30/142
2009/0321455 A1 *	12/2009	Fernandez et al.	220/574

* cited by examiner

Primary Examiner — Cynthia Underwood

(74) *Attorney, Agent, or Firm* — Patent Capital Group

(57) **CLAIM**

The ornamental design for a bowl with a utensil retention feature, as shown and described.

DESCRIPTION

FIG. 1 is a top perspective view showing a bowl with a utensil retention feature;

FIG. 2 is a front view thereof;

FIG. 3 is a back view thereof;

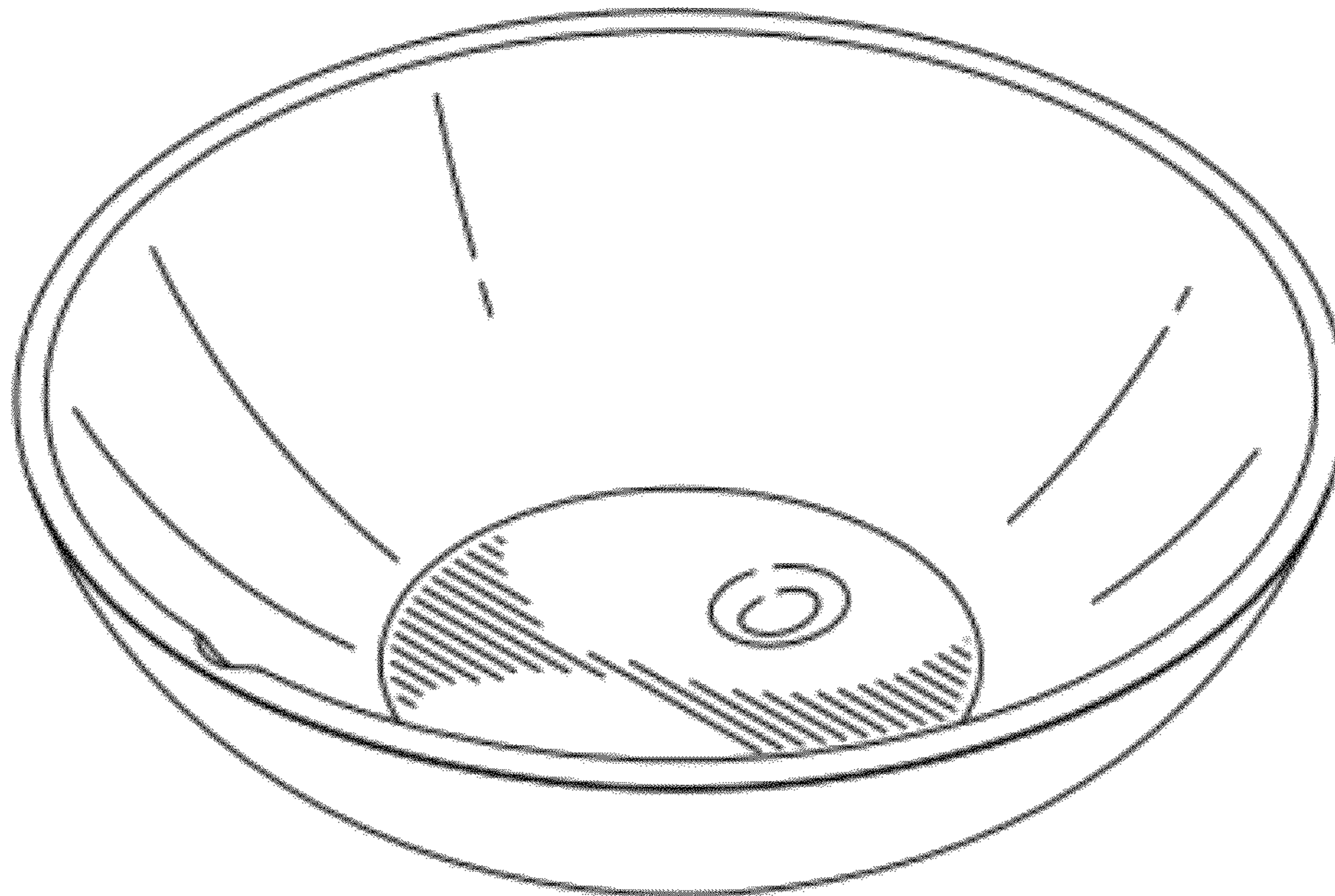
FIG. 4 is a side view thereof;

FIG. 5 is another side view thereof;

FIG. 6 is a top view thereof; and,

FIG. 7 is a bottom view thereof.

1 Claim, 2 Drawing Sheets



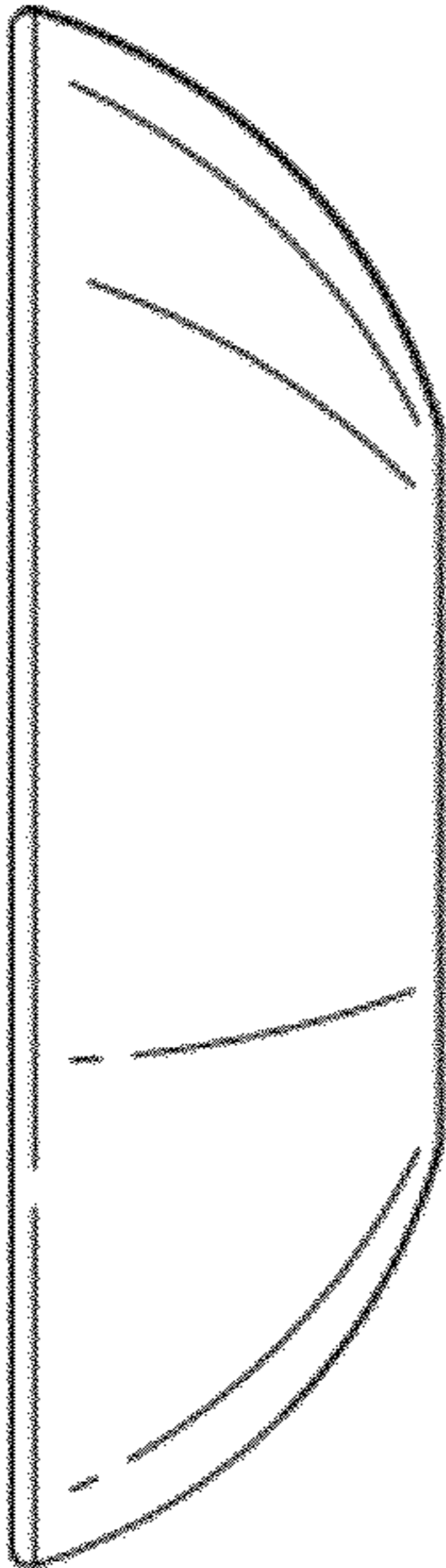


FIG. 3

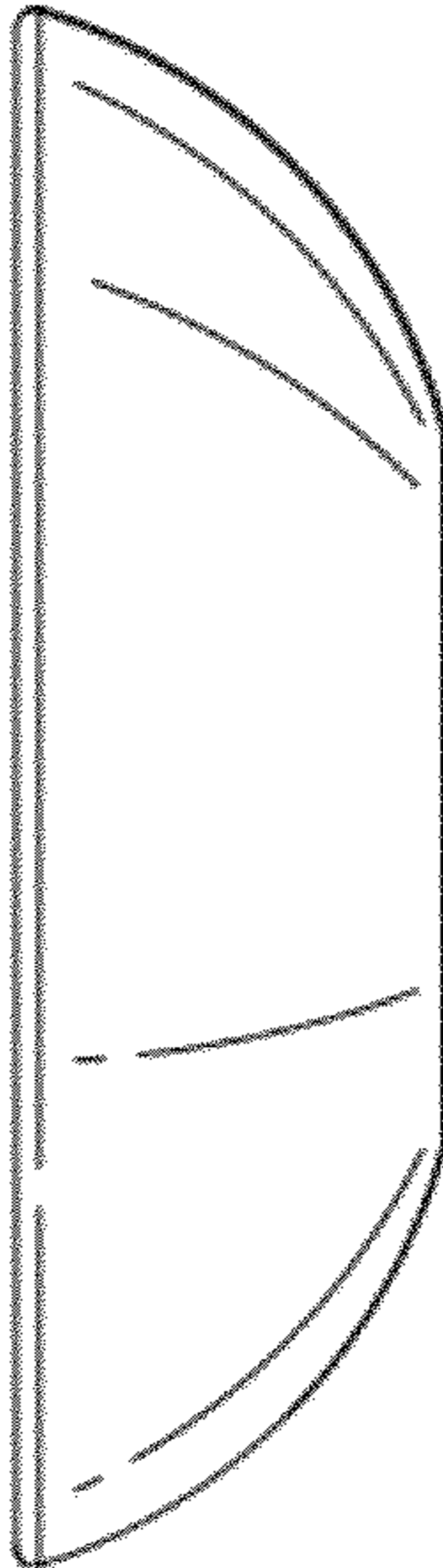


FIG. 4

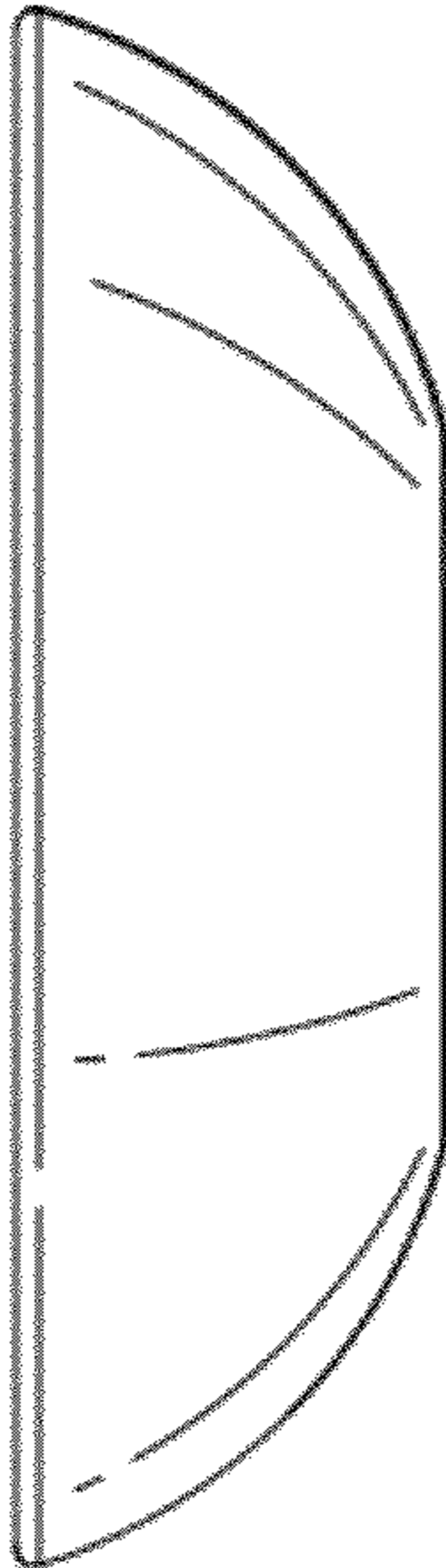


FIG. 5

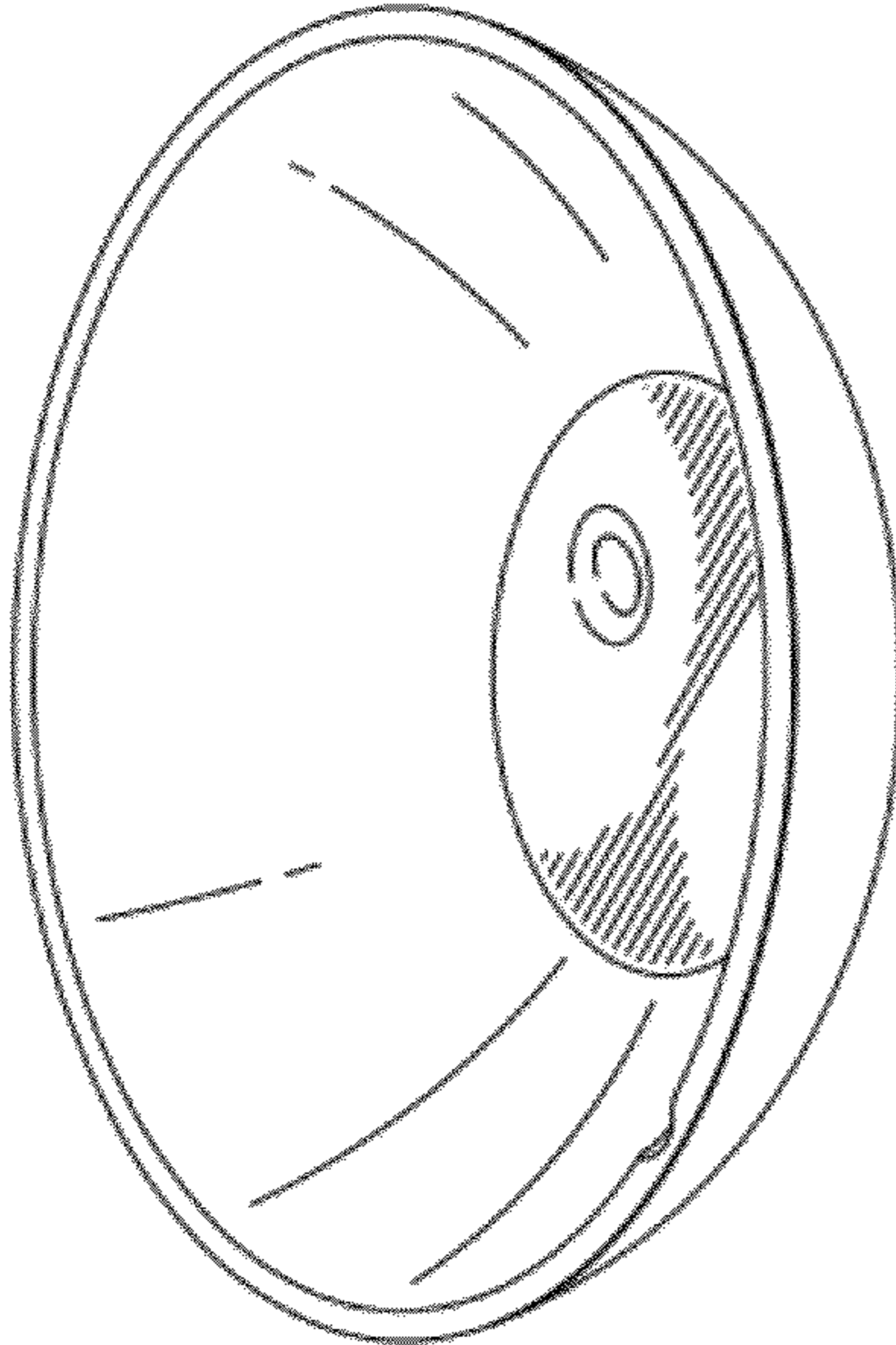


FIG. 1

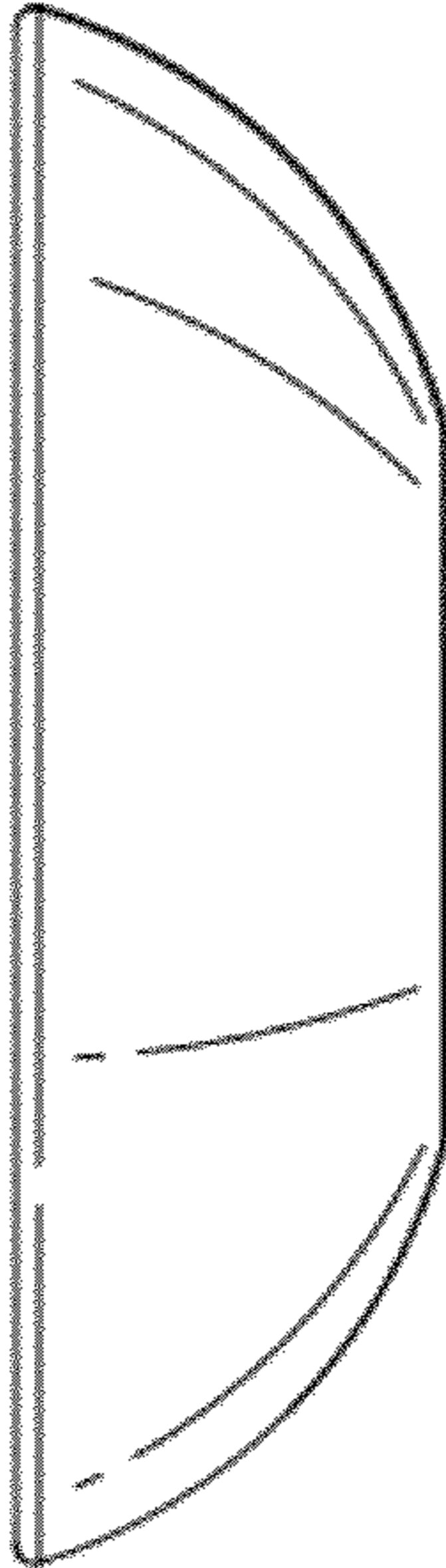


FIG. 2

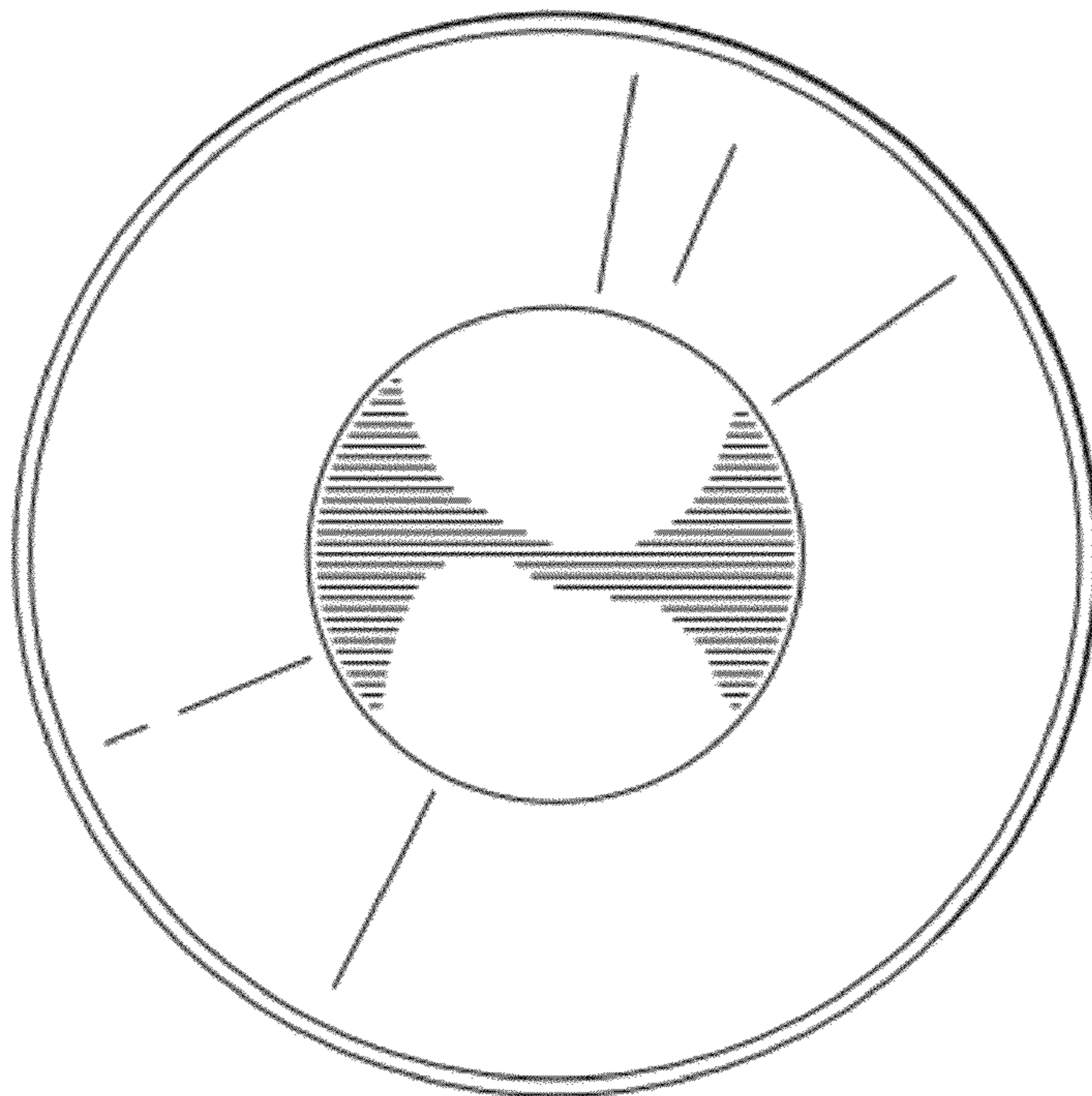


FIG. 7

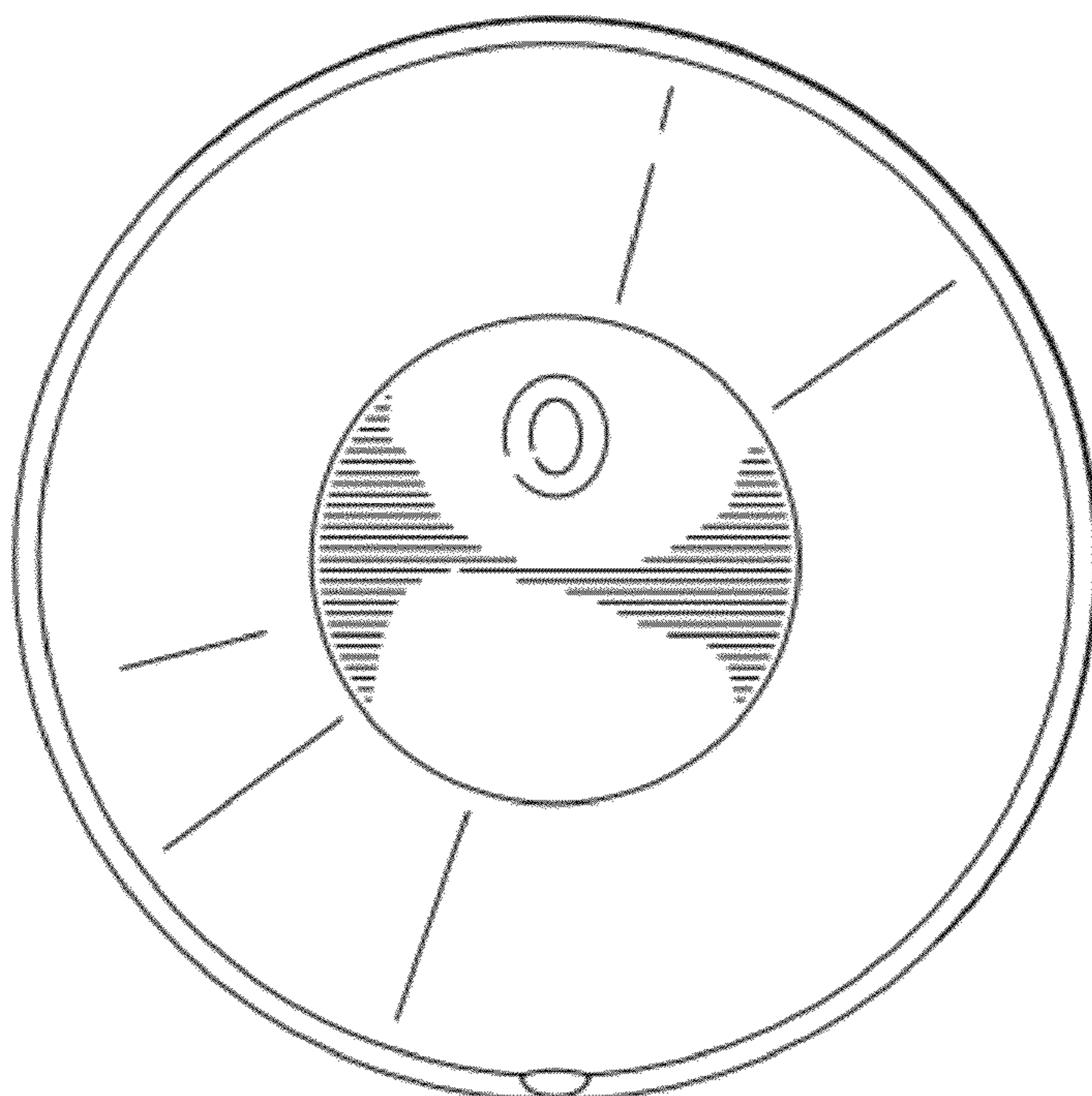


FIG. 6