

US00D666454S

(12) **United States Design Patent**
Lavy et al.

(10) **Patent No.:** **US D666,454 S**
(45) **Date of Patent:** **** Sep. 4, 2012**

- (54) **COOKER**
- (76) Inventors: **Danny Lavy**, Westmount (CA); **Shae Hong**, New York, NY (US)
- (**) Term: **14 Years**
- (21) Appl. No.: **29/391,633**
- (22) Filed: **May 11, 2011**
- (51) **LOC (9) Cl.** **07-02**
- (52) **U.S. Cl.** **D7/364; D7/354; D7/362**
- (58) **Field of Classification Search** D7/323,
D7/329-331, 339, 346-347, 350.1-350.4,
D7/353-367, 391, 393, 395, 402, 406, 538,
D7/542; 99/324-325, 331-332, 337-340,
99/369, 400-418, 422, 425, 444, 483; 126/37 R,
126/261, 374.1, 378.1; 206/501-505, 507-508;
219/387, 400, 405, 417, 429-442, 452.11,
219/620-624, 725, 730-735; 220/203.05,
220/203.07, 203.09, 298, 315-316, 573.1-573.5,
220/912; 426/438, 441
See application file for complete search history.

D445,298 S	7/2001	DeBord et al.	
D480,908 S	10/2003	Krasne	
D488,670 S *	4/2004	Chan	D7/357
D507,452 S *	7/2005	Chan	D7/357
D513,151 S *	12/2005	Currie	D7/364
D541,585 S *	5/2007	Lee	D7/364
D566,459 S *	4/2008	Doo	D7/364
D567,016 S *	4/2008	Chan	D7/364
D610,395 S *	2/2010	Perkins	D7/364
D610,867 S *	3/2010	Chan	D7/364
D614,909 S	5/2010	Lavy	
D617,134 S *	6/2010	Perkins	D7/364
D642,424 S *	8/2011	Lavy et al.	D7/364
D645,298 S *	9/2011	Saboe et al.	D7/366
D648,981 S *	11/2011	Lavy et al.	D7/364
D651,039 S *	12/2011	O'Neill et al.	D7/364
D651,845 S *	1/2012	O'Neill et al.	D7/364
D655,972 S *	3/2012	Foy	D7/364

* cited by examiner

Primary Examiner — Ricky Pham
(74) *Attorney, Agent, or Firm* — Husch Blackwell LLP

(57) **CLAIM**
The ornamental designs for a cooker, substantially as shown and described.

(56) **References Cited**

U.S. PATENT DOCUMENTS

D97,530 S *	11/1935	Knapp	D7/364
D101,329 S *	9/1936	Cory	D7/364
D107,453 S *	12/1937	Preston	D7/364
D132,252 S *	5/1942	Faunce	D7/353
D167,077 S *	6/1952	Gunther	D7/357
D171,000 S *	12/1953	Levine	D7/357
2,731,539 A *	1/1956	Pavelka, Jr.	219/417
D205,820 S *	9/1966	Ryan	D7/364
4,145,603 A *	3/1979	Mackay et al.	219/387
D260,958 S *	9/1981	Nishikawa	D7/357
D272,978 S *	3/1984	Gremponrez et al.	D7/357

DESCRIPTION

FIG. 1 is a perspective view of a cooker in accordance with the present invention;
FIG. 2 is a front view of the cooker shown in FIG. 1;
FIG. 3 is a rear view of the cooker shown in FIG. 1;
FIG. 4 is a top view of the cooker shown in FIG. 1;
FIG. 5 is a bottom view of the cooker shown in FIG. 1.
FIG. 6 is a right side view of the cooker shown in FIG. 1; and,
FIG. 7 is a left side view of the cooker shown in FIG. 1.

1 Claim, 4 Drawing Sheets

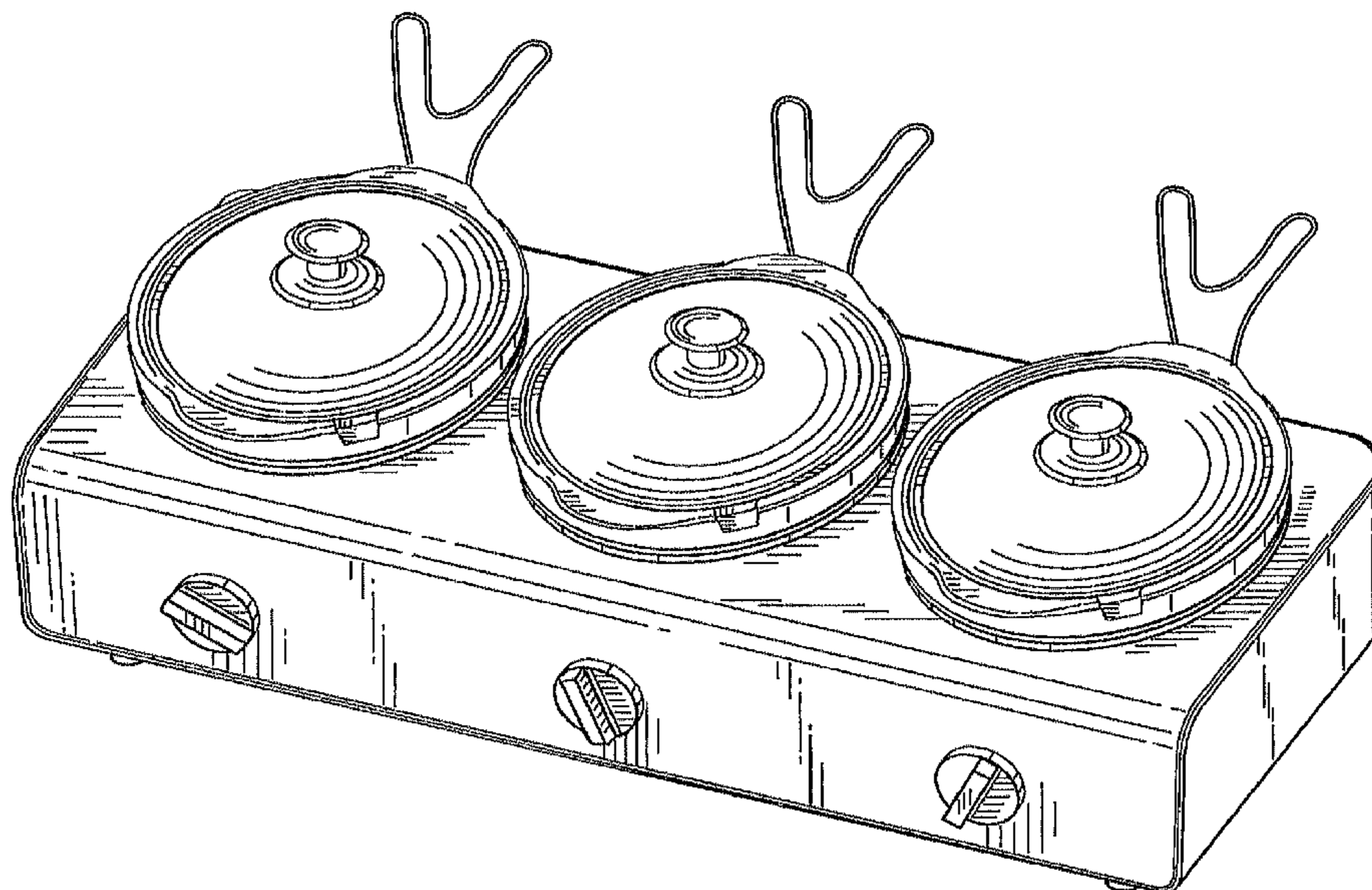


FIG. 1

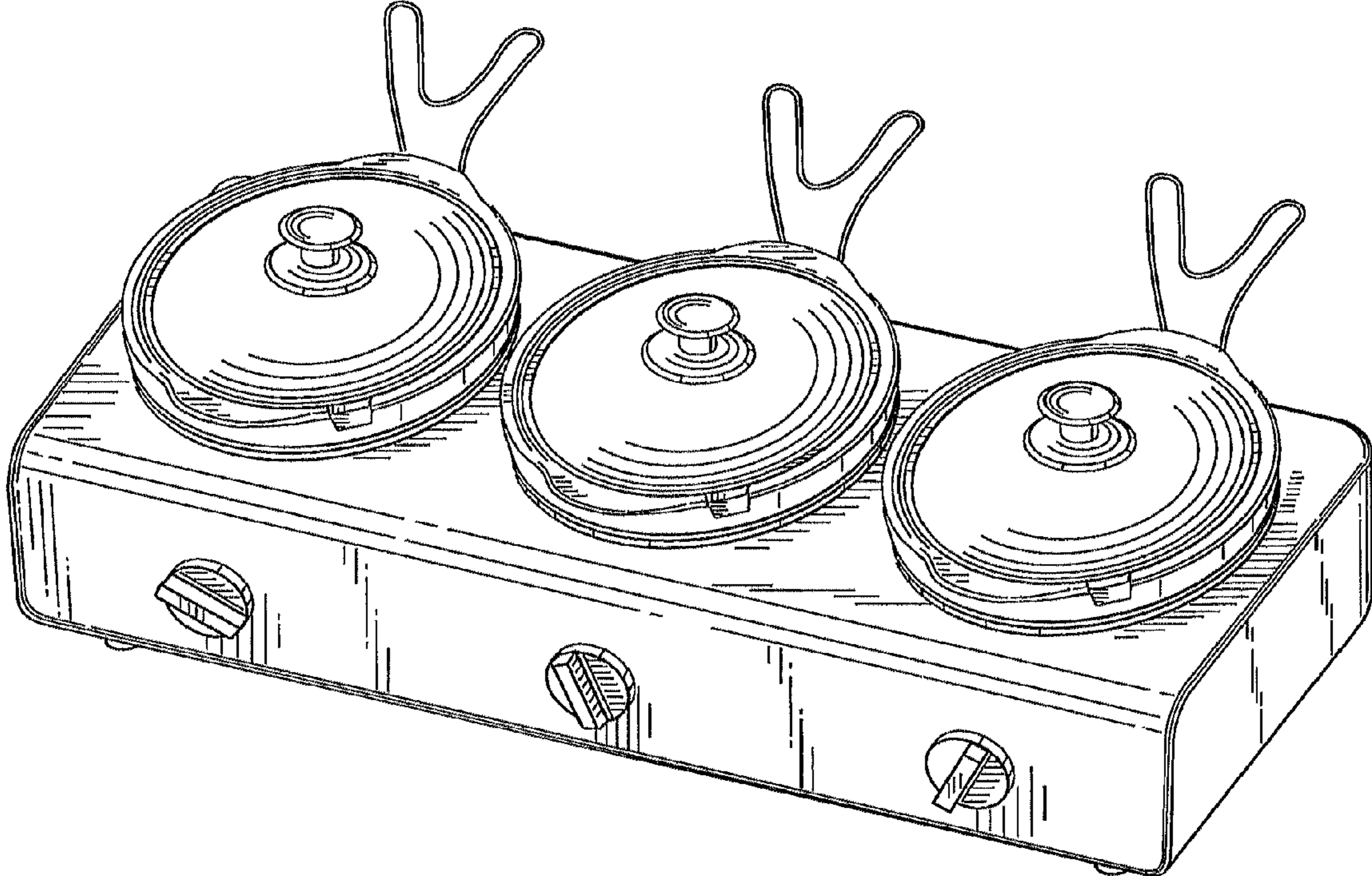


FIG. 2

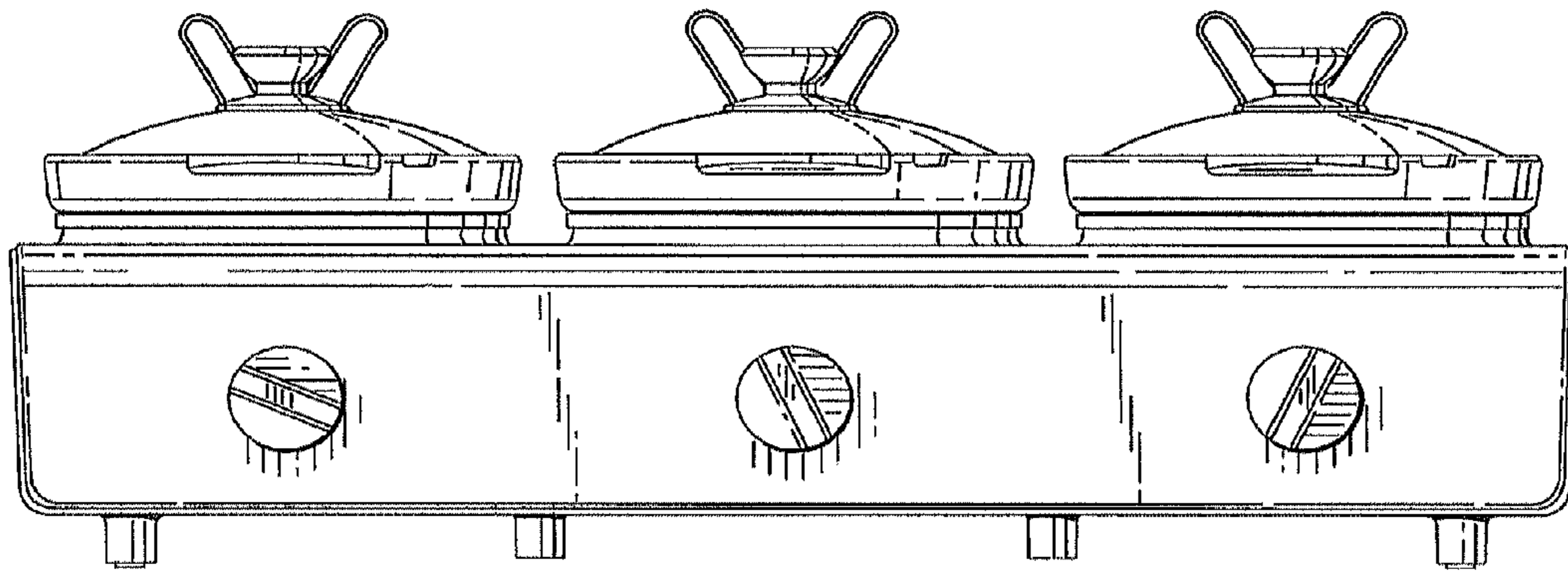


FIG. 3

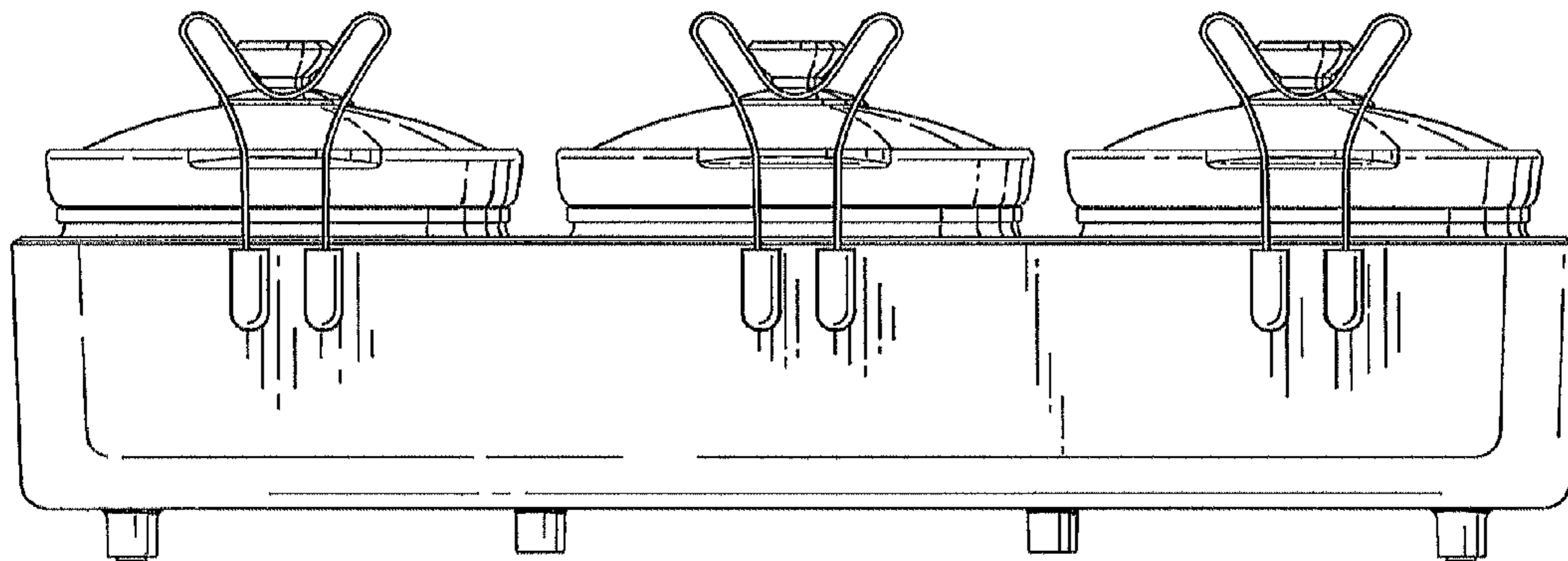


FIG. 4

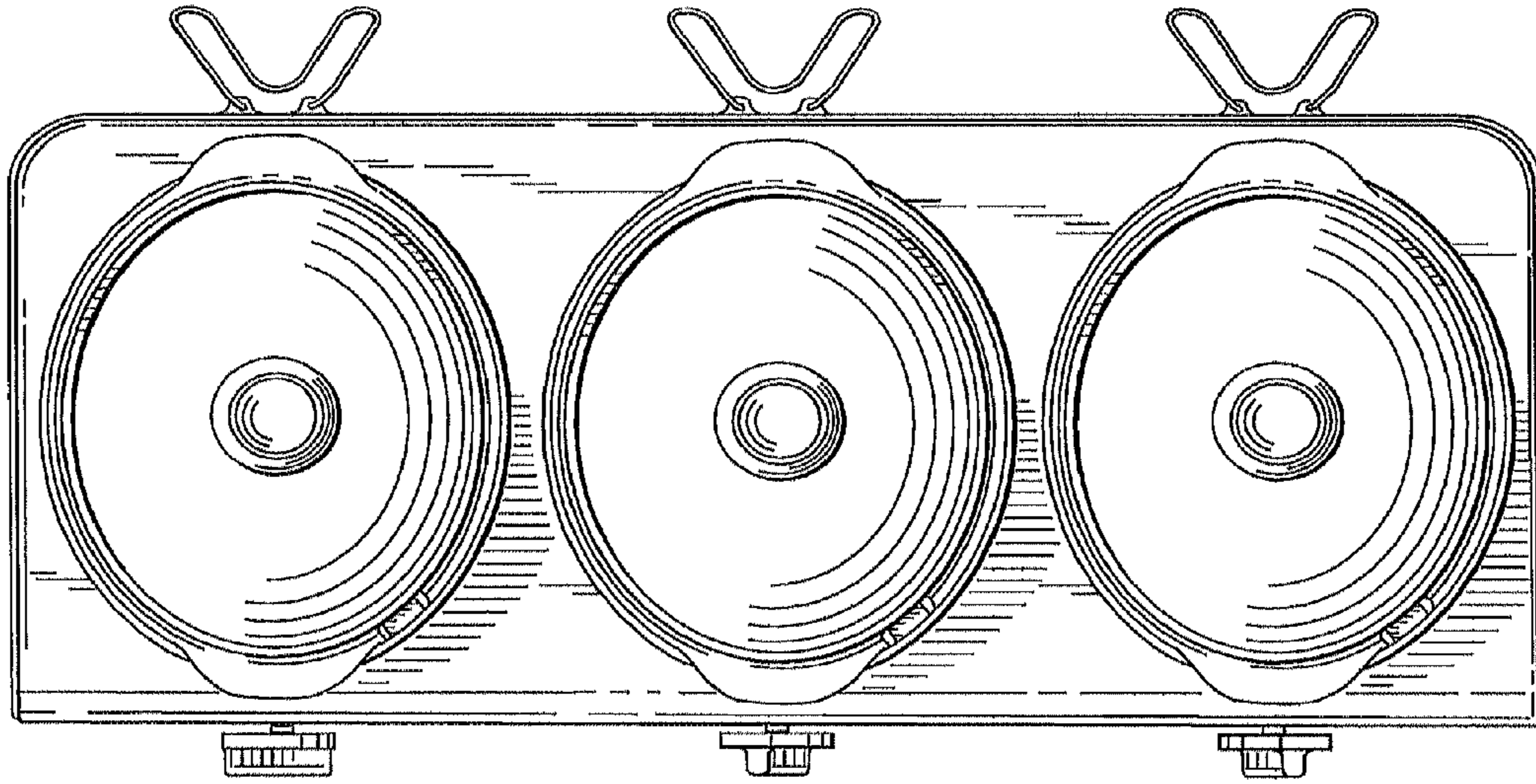


FIG. 5

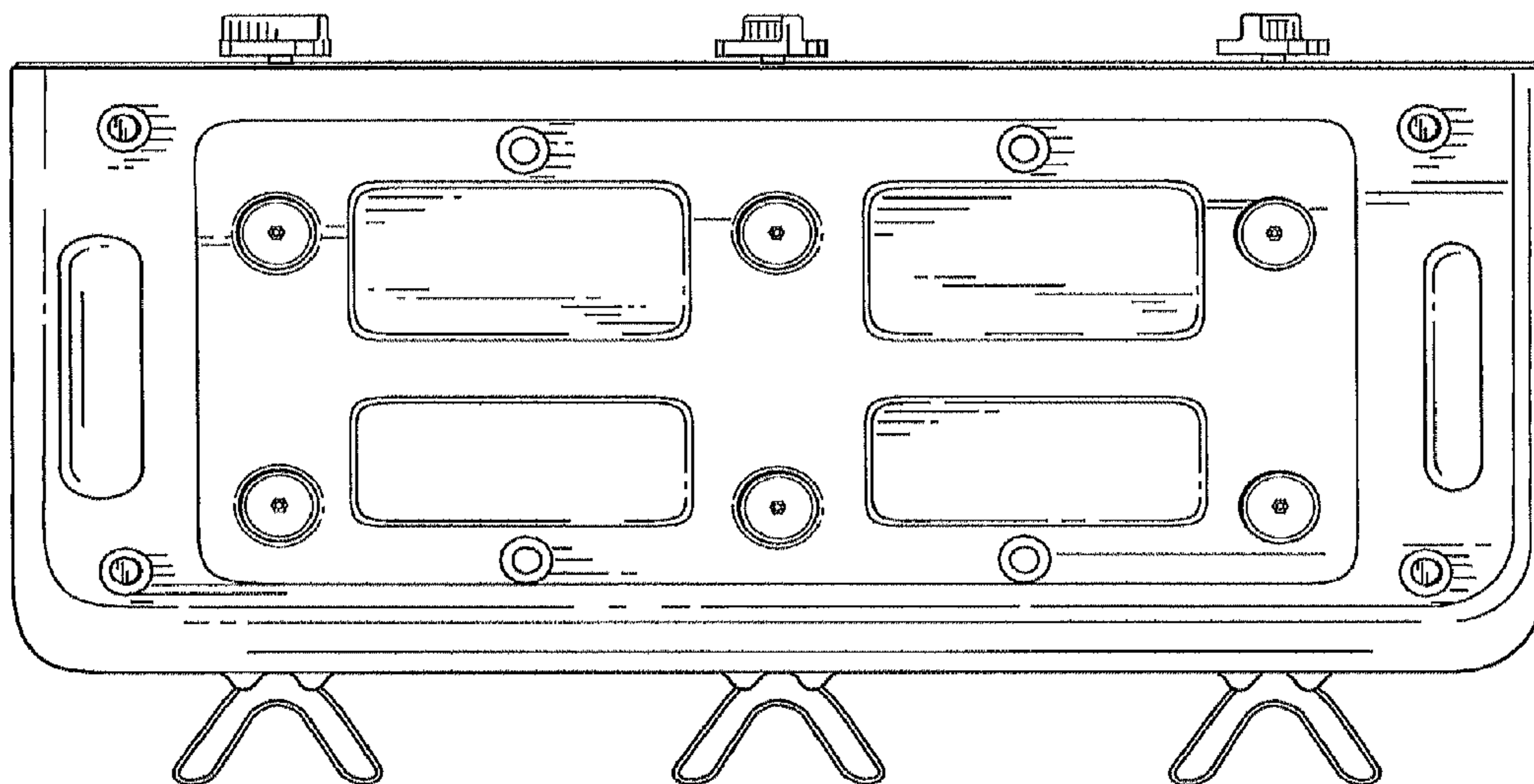


FIG. 6

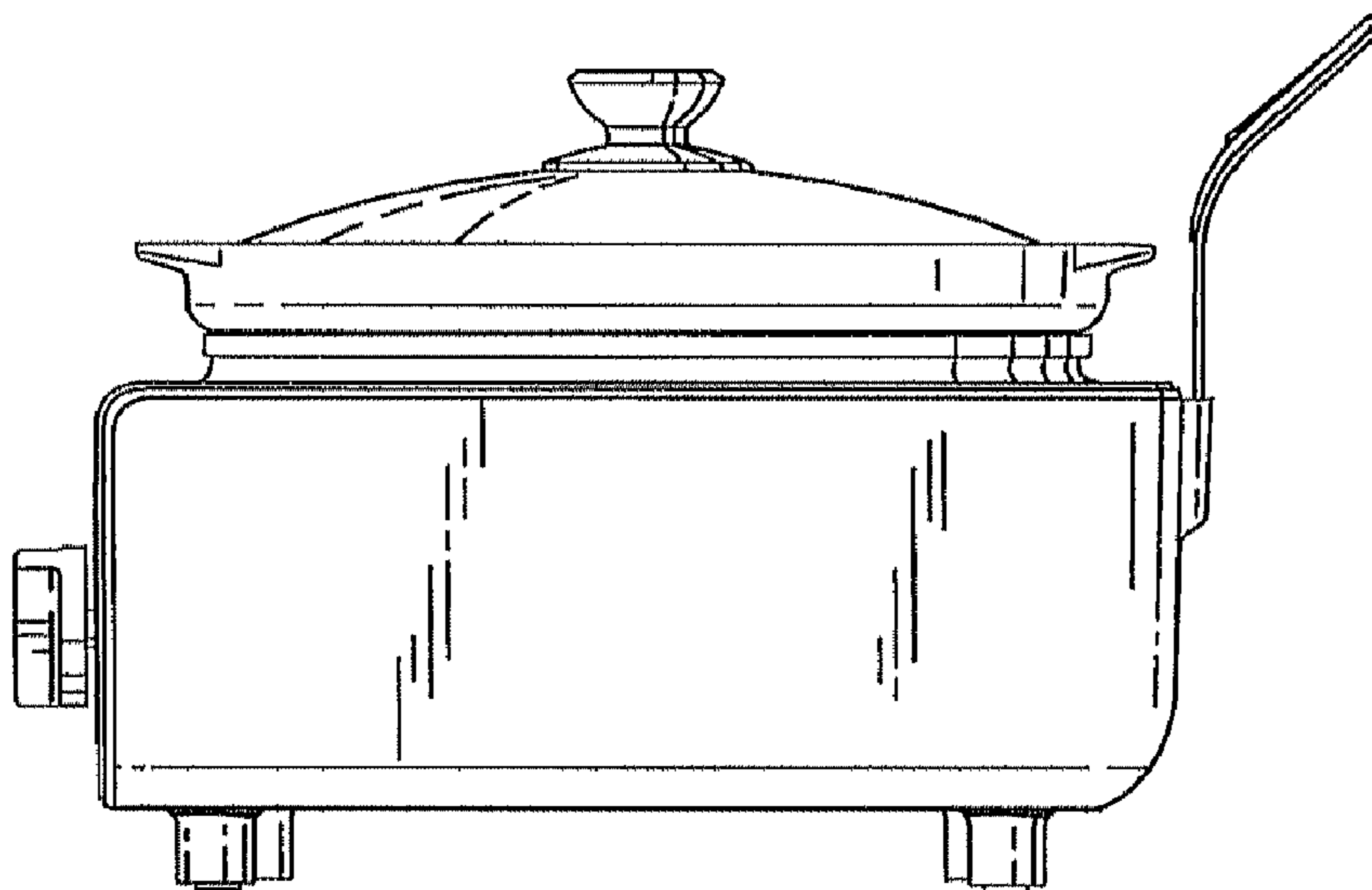


FIG. 7

