



US00D666453S

(12) **United States Design Patent**
Shidler et al.

(10) **Patent No.:** **US D666,453 S**

(45) **Date of Patent:** **** Sep. 4, 2012**

(54) **OUTDOOR COOKING GRILL**

(75) Inventors: **David C. Shidler**, Holland, MI (US);
Mark L. Graham, Holland, MI (US)

(73) Assignee: **Edmar Manufacturing, Inc.**, Holland,
MI (US)

(**) Term: **14 Years**

(21) Appl. No.: **29/379,101**

(22) Filed: **Nov. 15, 2010**

(51) **LOC (9) Cl.** **07-02**

(52) **U.S. Cl.** **D7/335**

(58) **Field of Classification Search** D7/332,
D7/334-337, 402-405, 338, 417; 126/25 R,
126/25 A, 25 AA, 25 B, 273 B, 9 R, 38, 40,
126/50, 9 B, 48, 29-30, 43-44, 26, 372, 314,
126/307 R, 312, 292; 99/339, 448, 449,
99/481-482, 516, 340-341; 431/331
See application file for complete search history.

(56) **References Cited**

U.S. PATENT DOCUMENTS

D270,420 S * 9/1983 Baugh D7/337
5,086,752 A * 2/1992 Hait 126/9 R
D333,941 S * 3/1993 Hait D7/335

D442,422 S * 5/2001 Dabney D7/337
D548,514 S * 8/2007 Huang D7/335
D567,011 S * 4/2008 DeMars D7/335
D567,012 S * 4/2008 DeMars D7/337
D575,572 S * 8/2008 Griffard D7/335
D608,135 S * 1/2010 Siow et al. D7/335
2010/0089380 A1 * 4/2010 Demars 126/25 R

* cited by examiner

Primary Examiner — Ruth McInroy

(74) *Attorney, Agent, or Firm* — Price Heneveld LLP

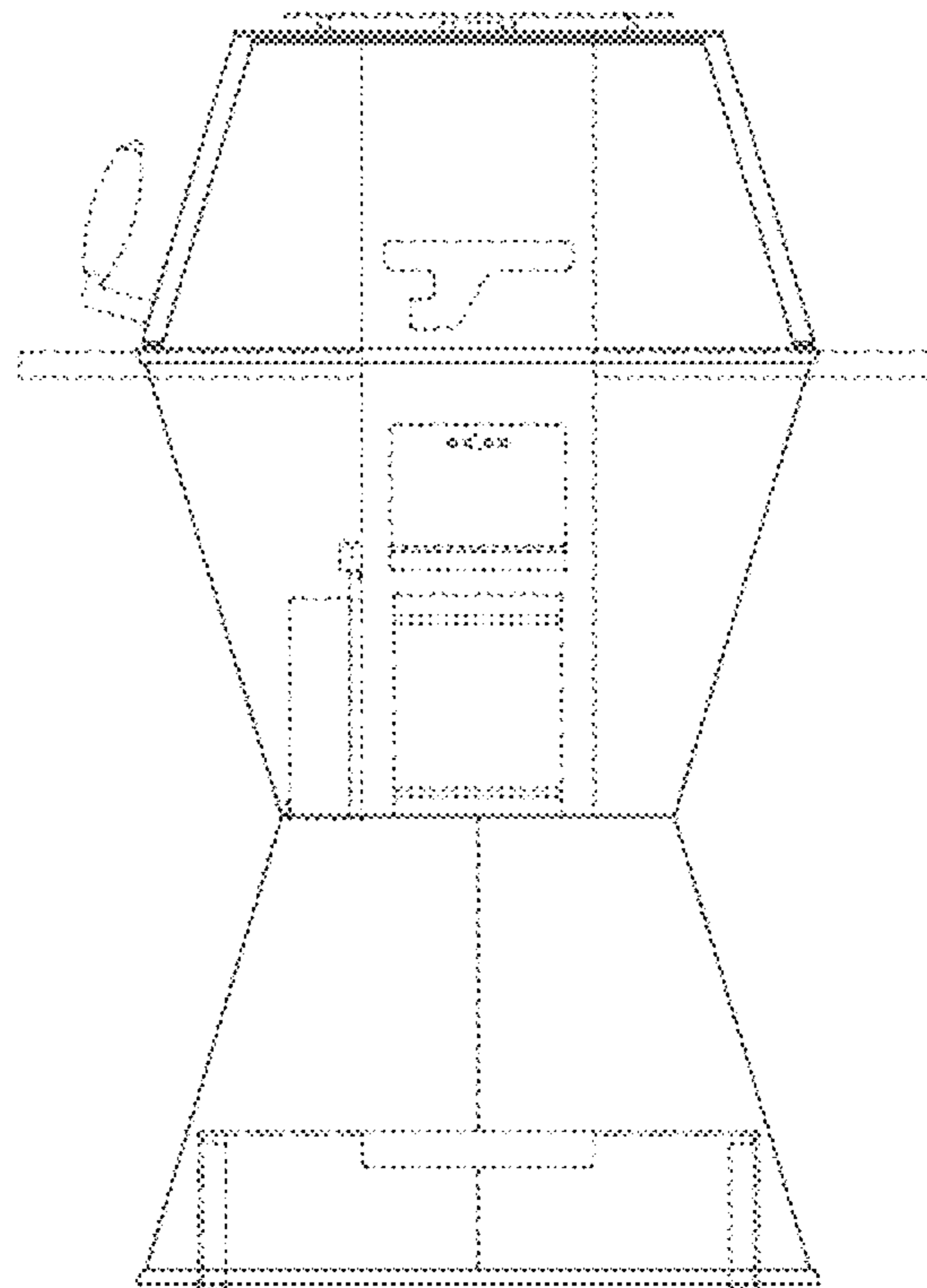
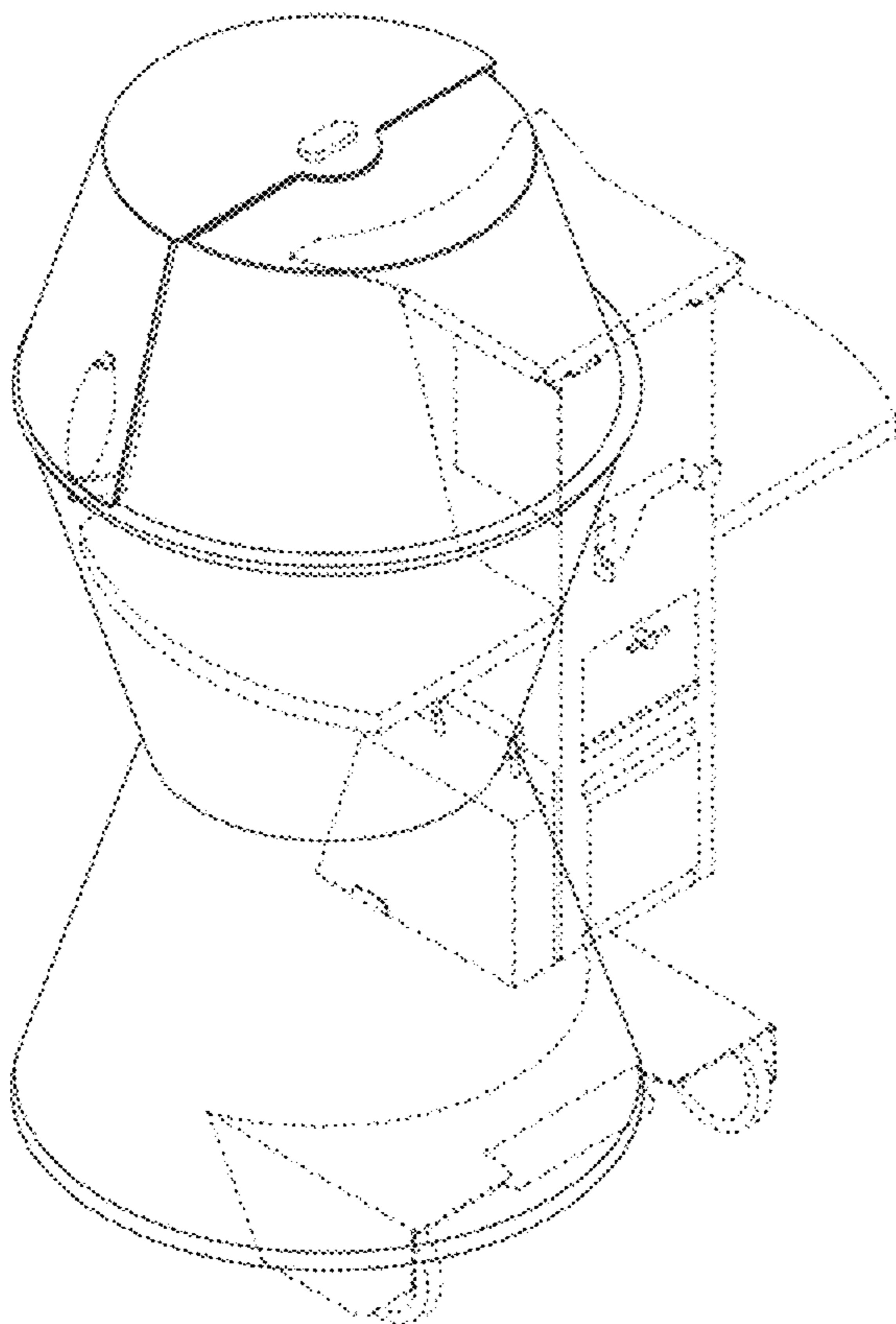
(57) **CLAIM**

The ornamental design for an outdoor cooking grill, as shown and described.

DESCRIPTION

FIG. 1 is a front perspective view showing the new design for an outdoor cooking grill;
FIG. 2 is a front view thereof;
FIG. 3 is a rear view thereof;
FIG. 4 is a left side view thereof;
FIG. 5 is a right side view thereof;
FIG. 6 is a top view thereof; and,
FIG. 7 is a bottom view thereof.

1 Claim, 7 Drawing Sheets



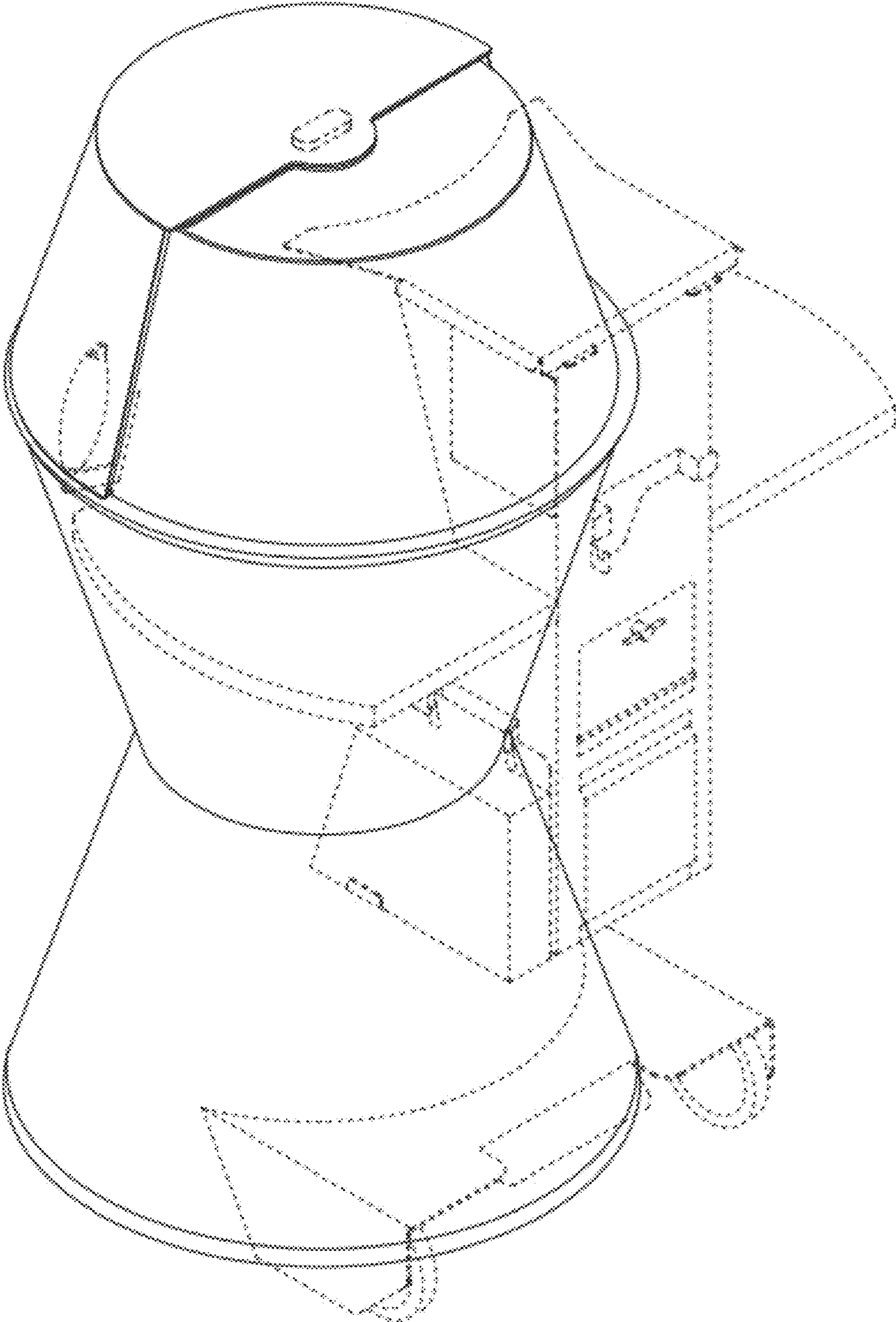


FIG. 1

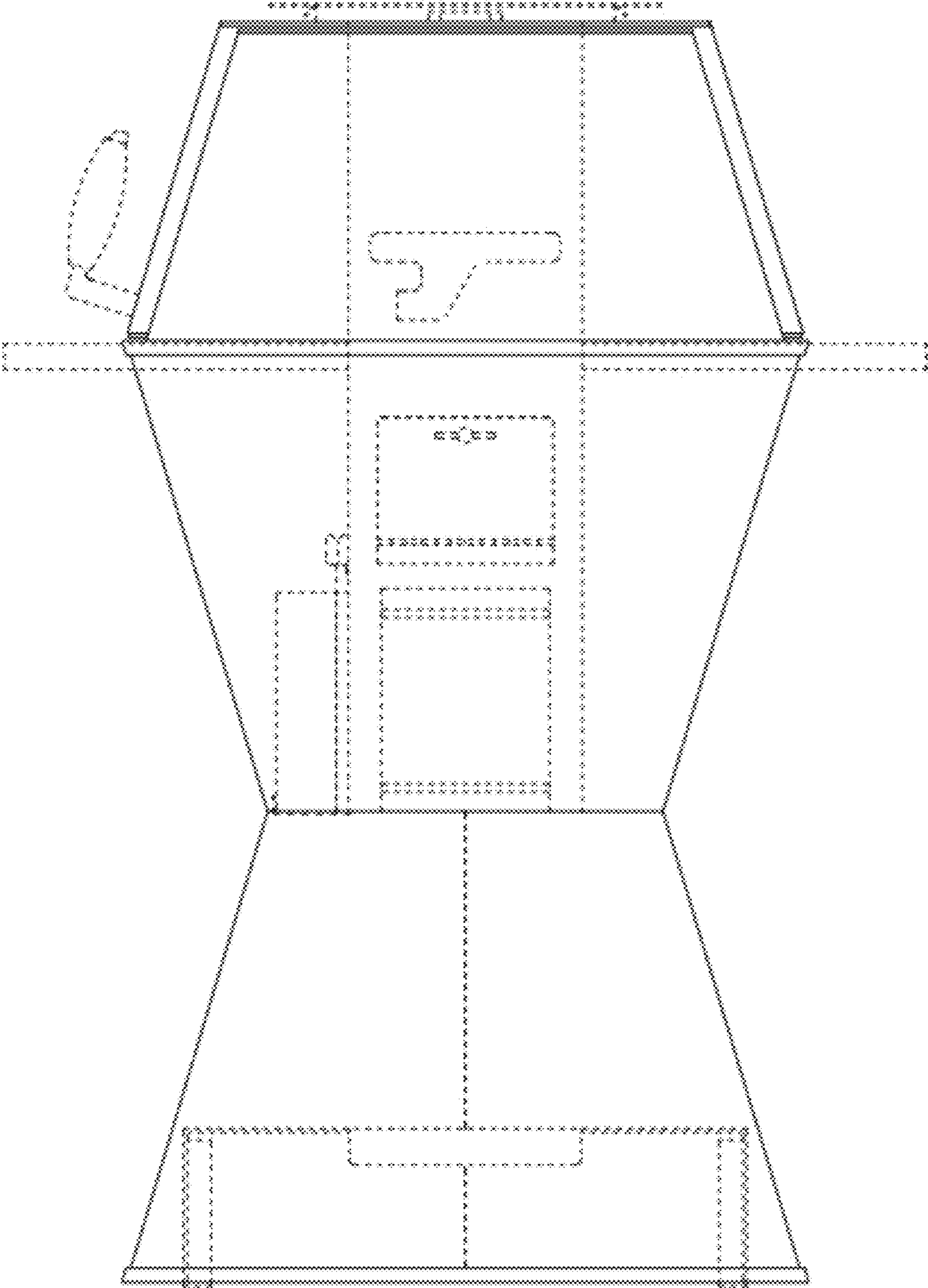


FIG. 2

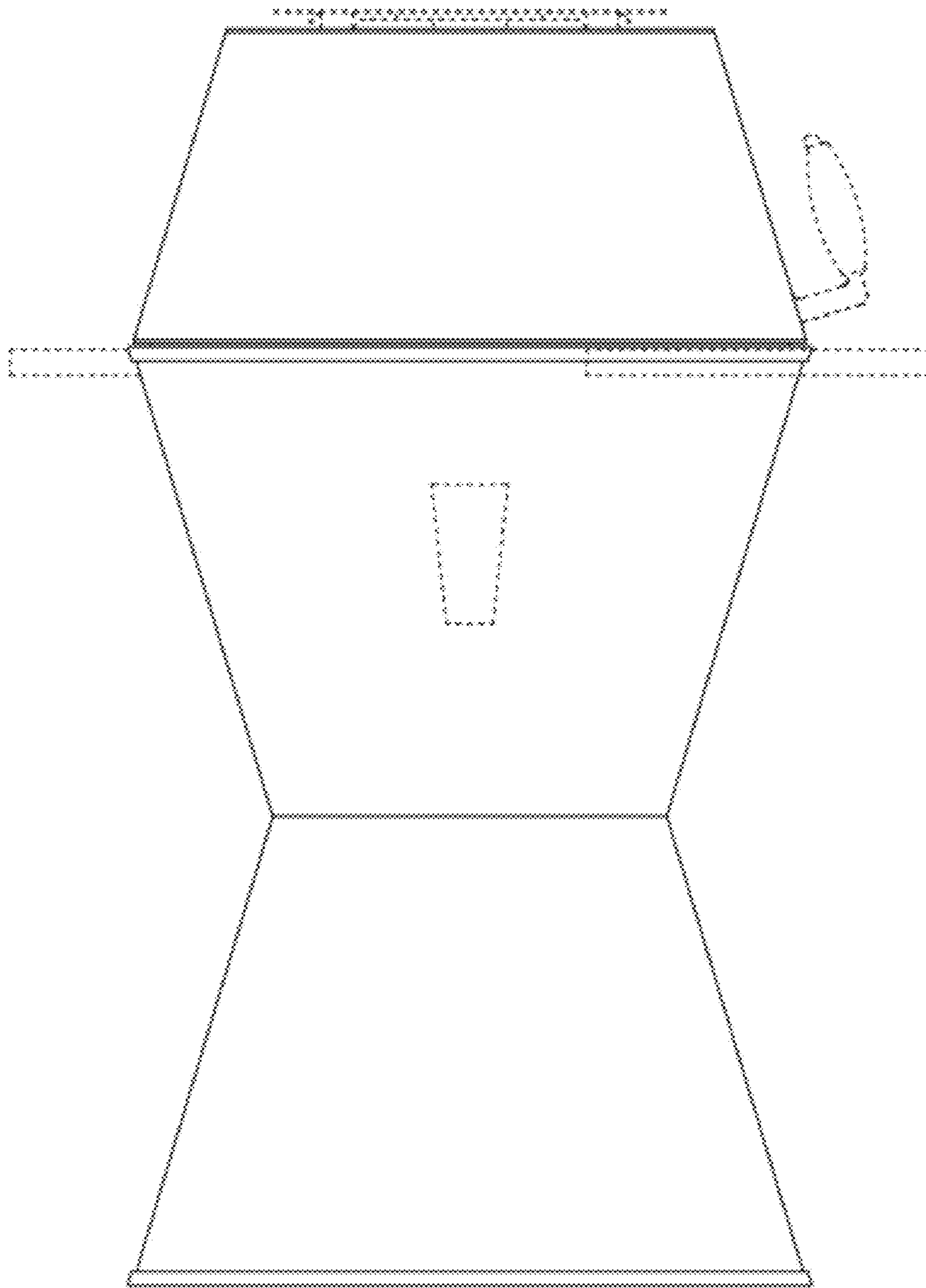


FIG. 3

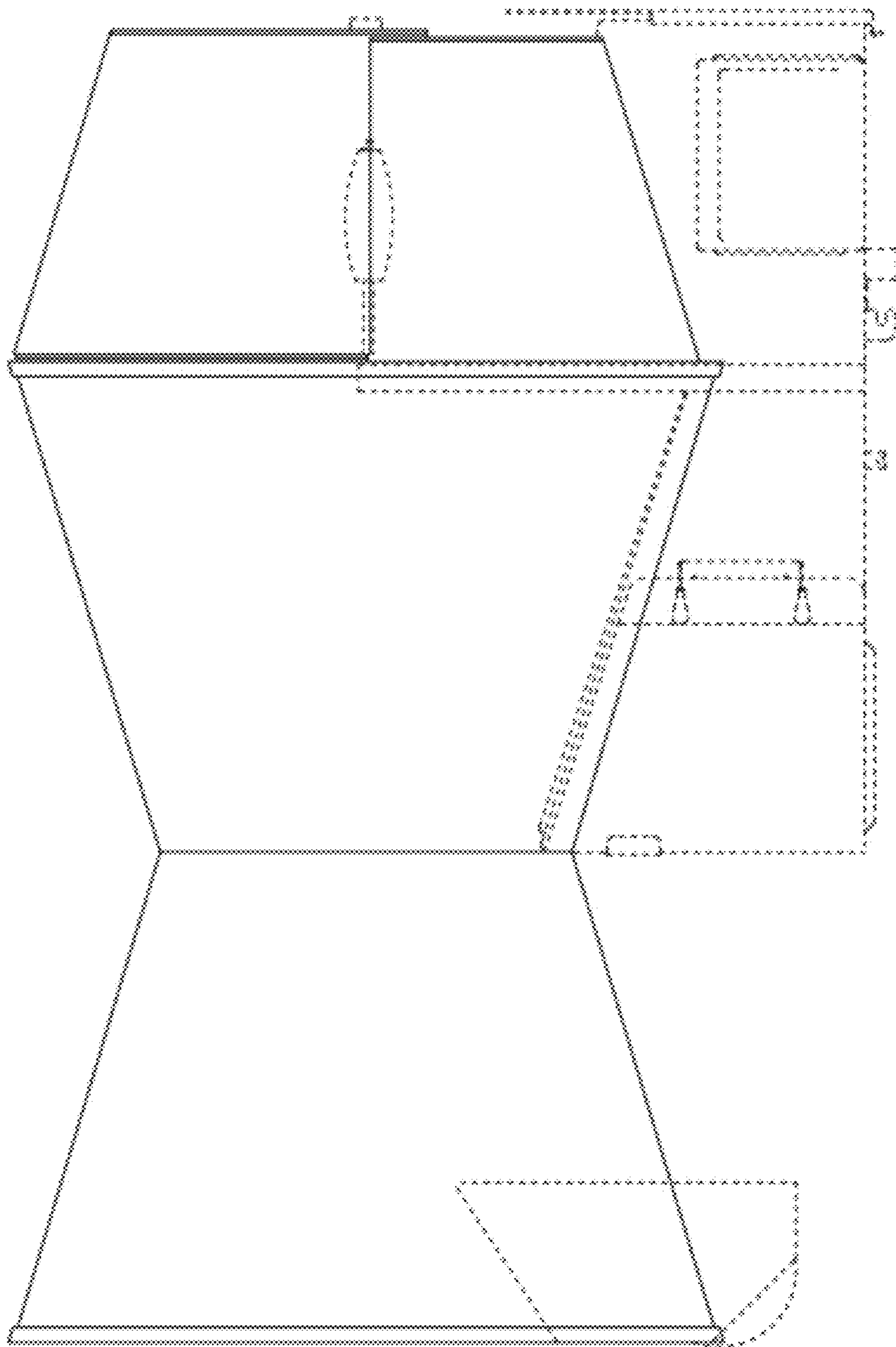


FIG. 4

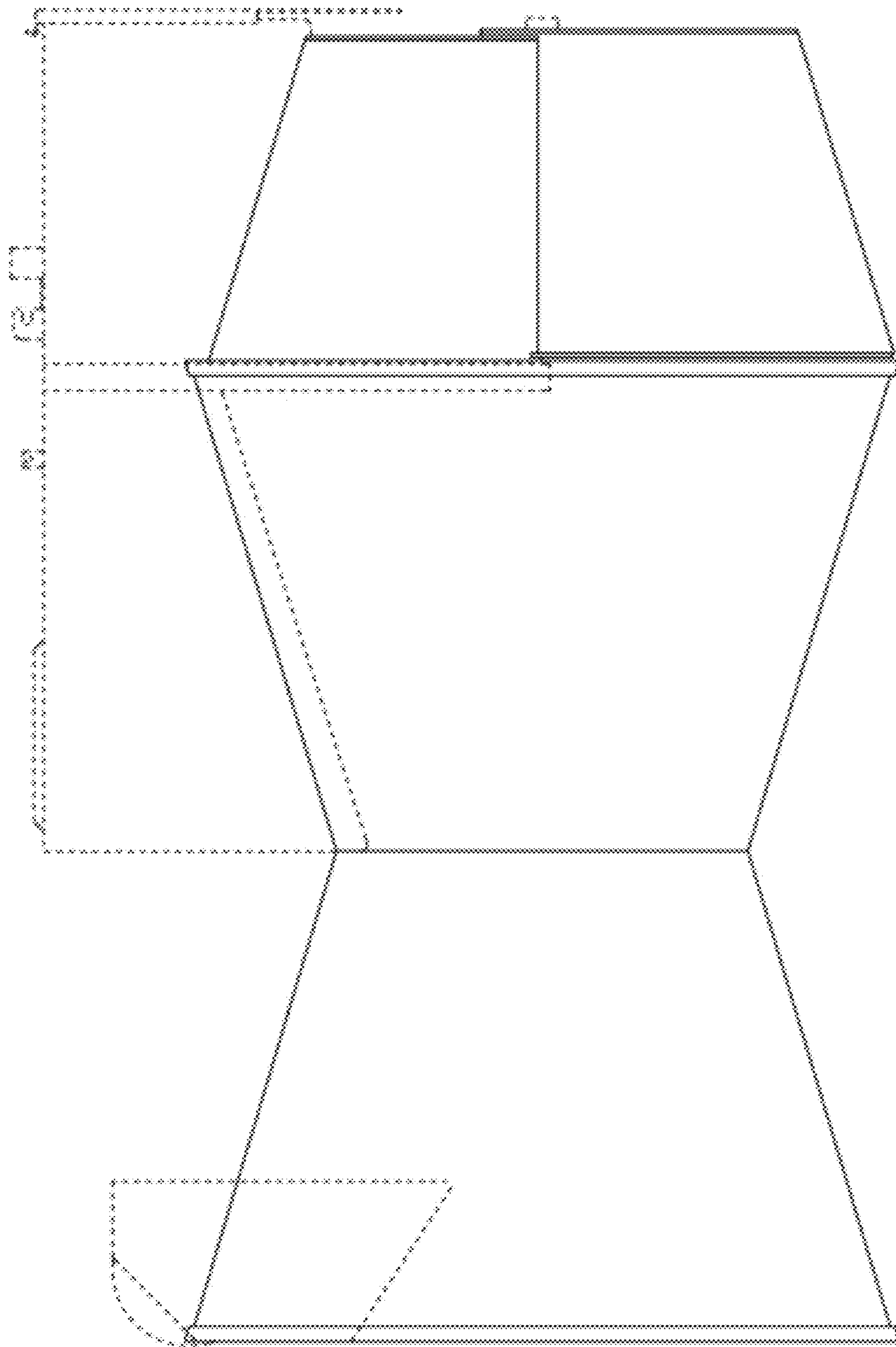


FIG. 5

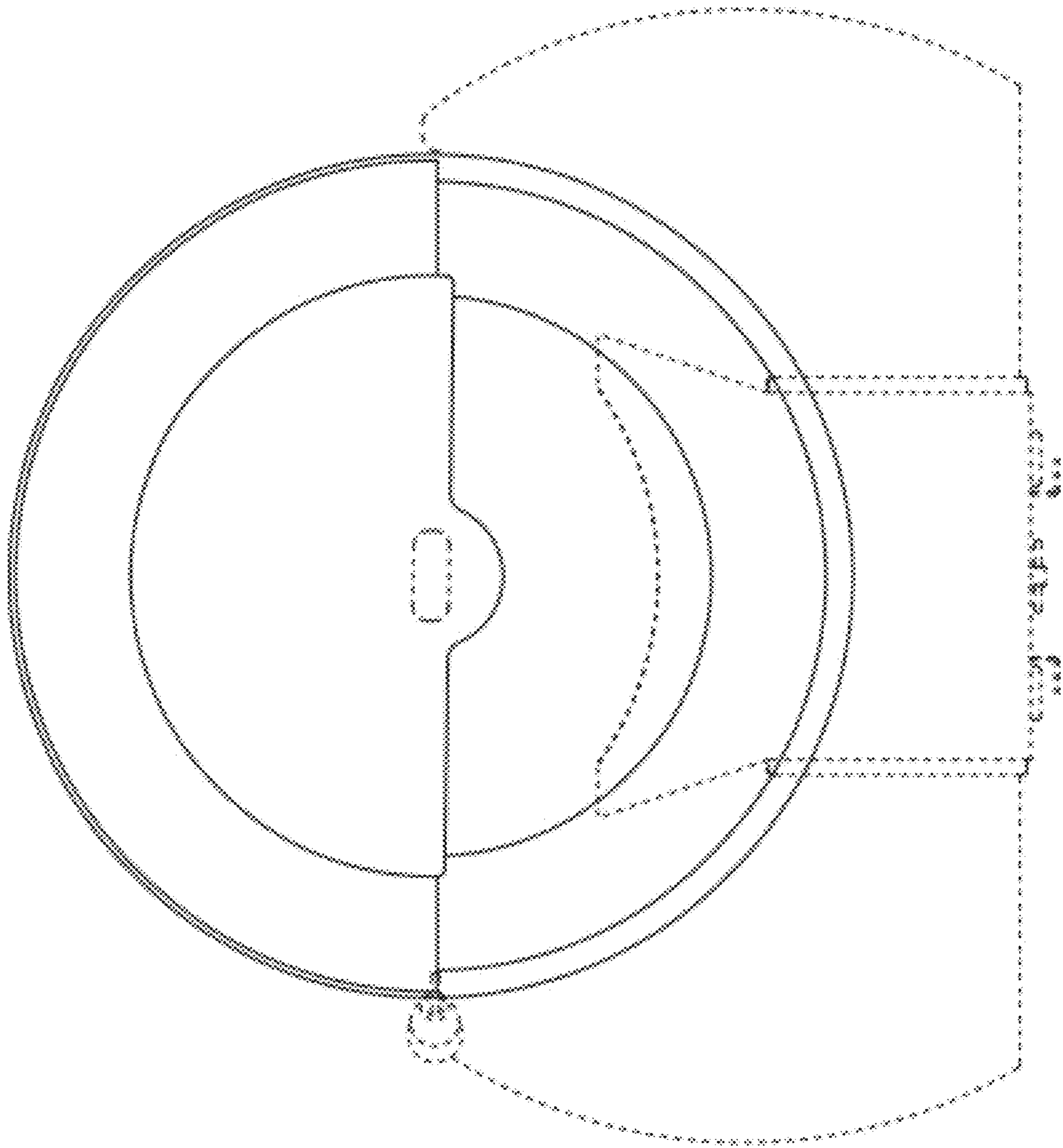


FIG. 6

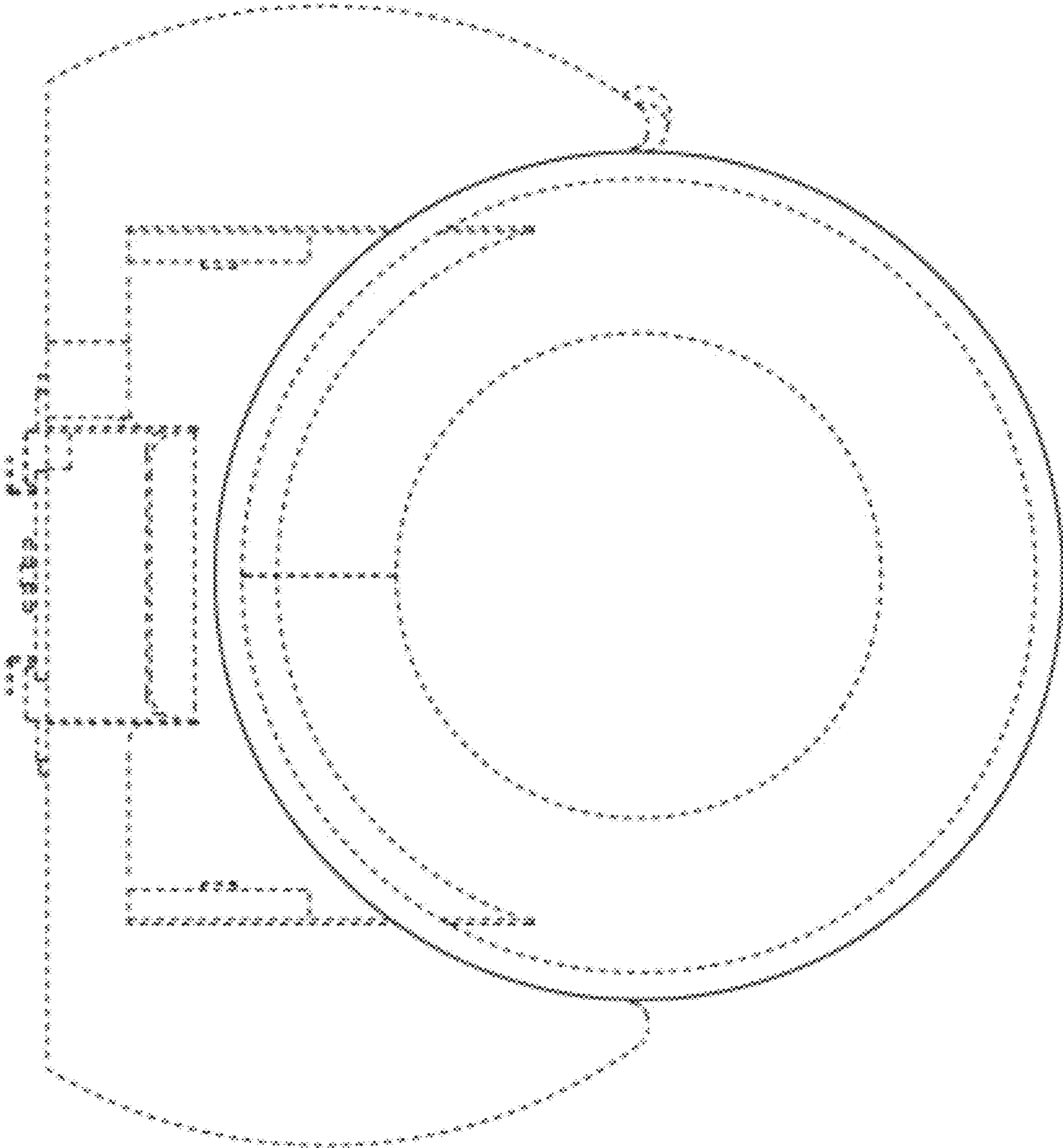


FIG. 7