



US00D666452S

(12) **United States Design Patent**  
**Chapman**

(10) **Patent No.:** **US D666,452 S**

(45) **Date of Patent:** **\*\* Sep. 4, 2012**

(54) **DUAL SIDED COFFEE POT ASSEMBLY**

(76) Inventor: **Janet Chapman**, Montrose, CO (US)

(\*\*) Term: **14 Years**

(21) Appl. No.: **29/393,727**

(22) Filed: **Jun. 8, 2011**

(51) **LOC (9) Cl.** ..... **07-01**

(52) **U.S. Cl.** ..... **D7/315; D7/317; D7/318**

(58) **Field of Classification Search** ..... D7/315,  
D7/317, 318, 319, 600; 99/291; 222/144.5,  
222/457.1, 466

See application file for complete search history.

(56) **References Cited**

**U.S. PATENT DOCUMENTS**

D241,400	S	*	9/1976	Palmer	.....	D7/318
D241,401	S	*	9/1976	Painter	.....	D7/318
D251,821	S	*	5/1979	Levine	.....	D7/318
4,301,942	A	*	11/1981	Kupperman et al.	....	220/592.17
4,629,866	A	*	12/1986	Proctor	.....	219/439
4,651,900	A		3/1987	Horvath et al.		
4,703,871	A	*	11/1987	Broker	.....	222/144.5
4,802,406	A	*	2/1989	Bouldin	.....	99/295
D302,093	S	*	7/1989	Palsby	.....	D7/317
4,901,630	A	*	2/1990	Hall	.....	99/295
5,072,858	A		12/1991	Brashier		

D334,685	S		4/1993	Coulter		
5,779,102	A		7/1998	Smith		
5,855,163	A		1/1999	DeMars		
5,970,848	A	*	10/1999	Pelech et al.	.....	99/291
D453,657	S	*	2/2002	Eklin	.....	D7/315
6,497,344	B1	*	12/2002	Dial	.....	222/144.5
6,755,328	B1	*	6/2004	Franco	.....	222/465.1
7,607,386	B2		10/2009	Wise		
D636,626	S	*	4/2011	Bandixen et al.	.....	D7/318
D653,896	S	*	2/2012	Wilt	.....	D7/315
2006/0024544	A1	*	2/2006	Nielsen et al.		

\* cited by examiner

*Primary Examiner* — Marianne Pandozzi

(57) **CLAIM**

The ornamental design for a dual sided coffee pot assembly, as shown and described.

**DESCRIPTION**

FIG. 1 is an exploded left side elevational view of a dual sided coffee pot assembly showing my new design, the right side elevational view being a mirror image thereof; FIG. 2 is an exploded front elevational view thereof; FIG. 3 is an exploded rear elevational view thereof; FIG. 4 is an exploded top plan view thereof; FIG. 5 is an exploded bottom plan view thereof; and, FIG. 6 is an exploded top perspective view thereof.

**1 Claim, 6 Drawing Sheets**

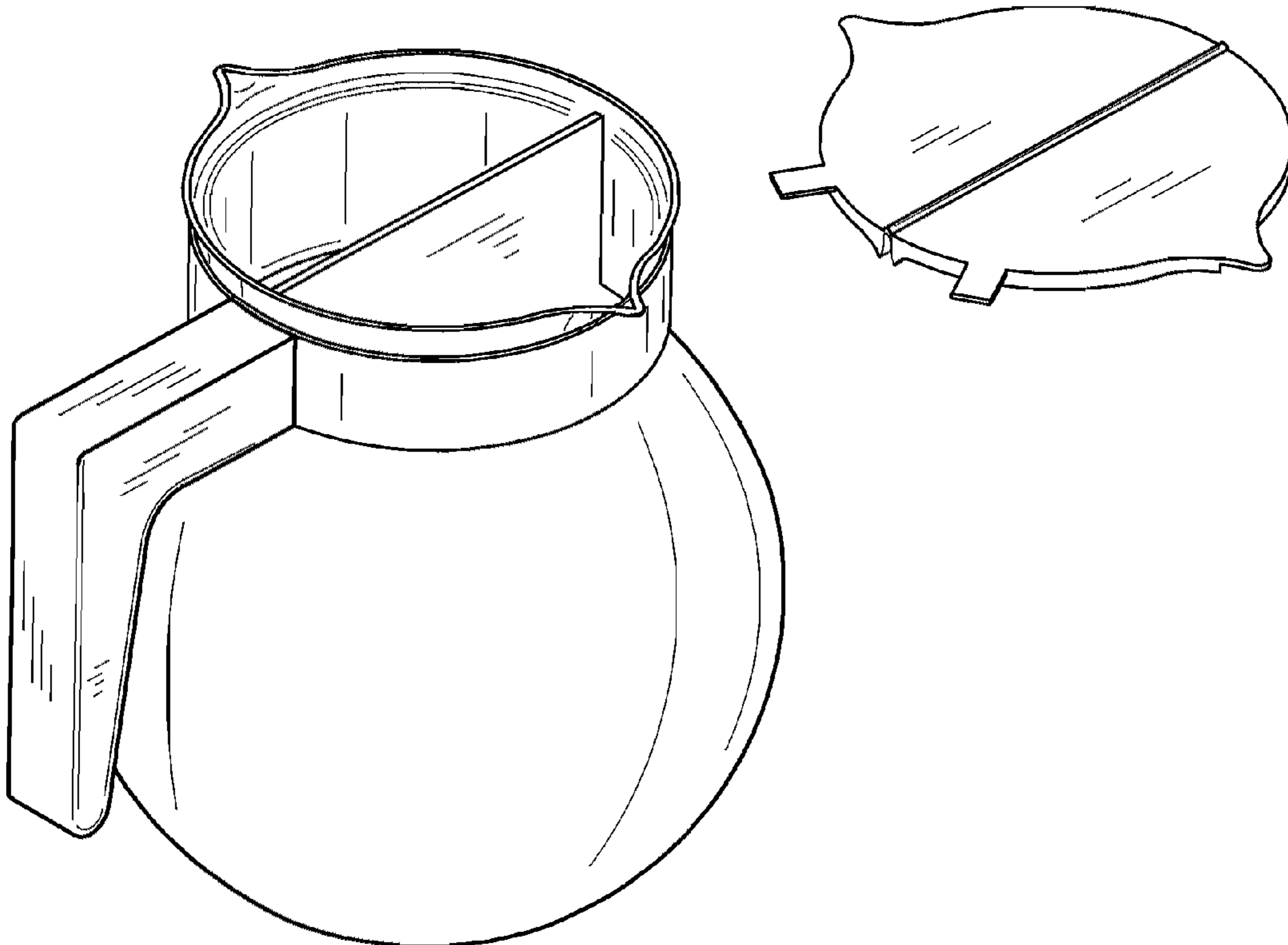
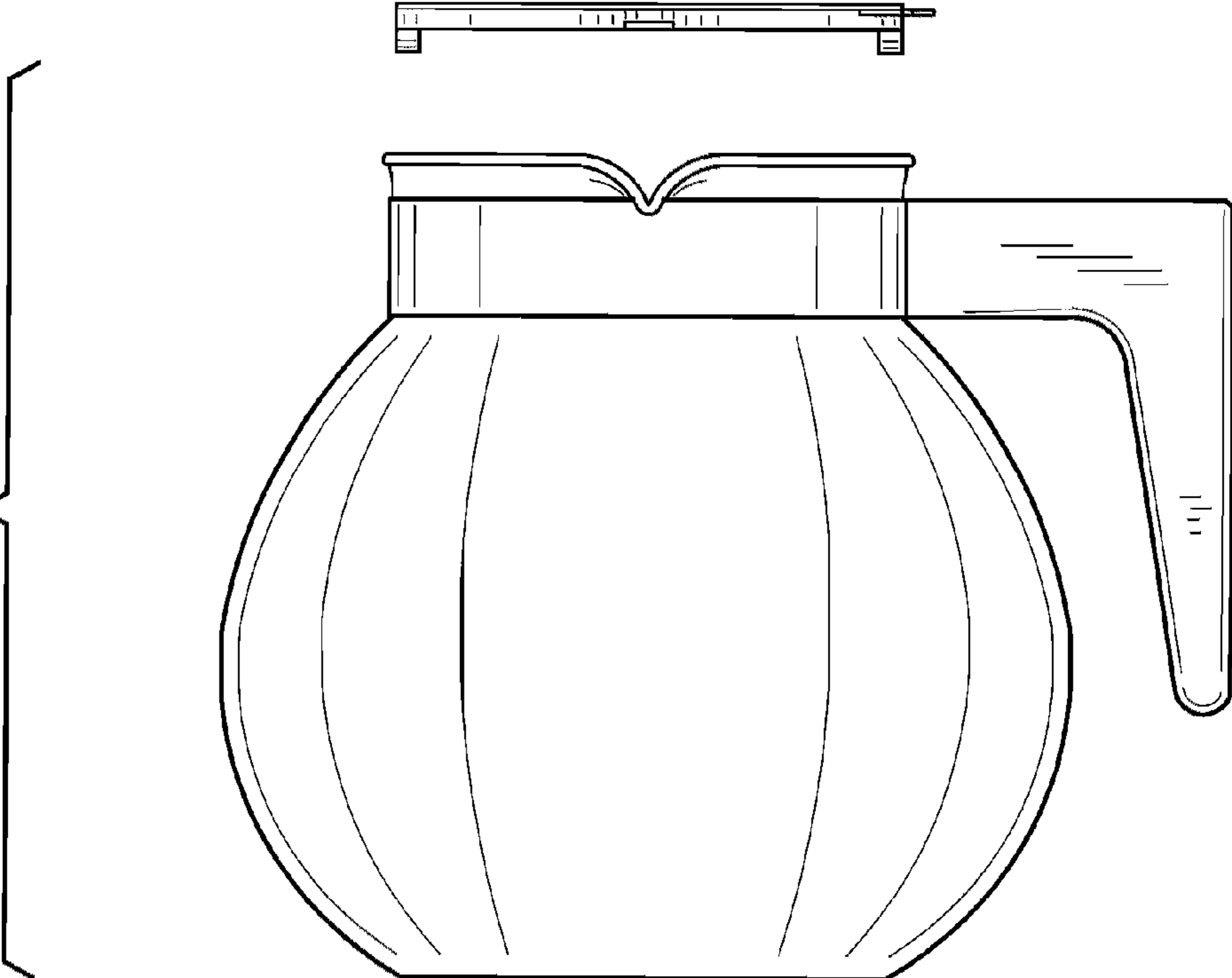


FIG. 1



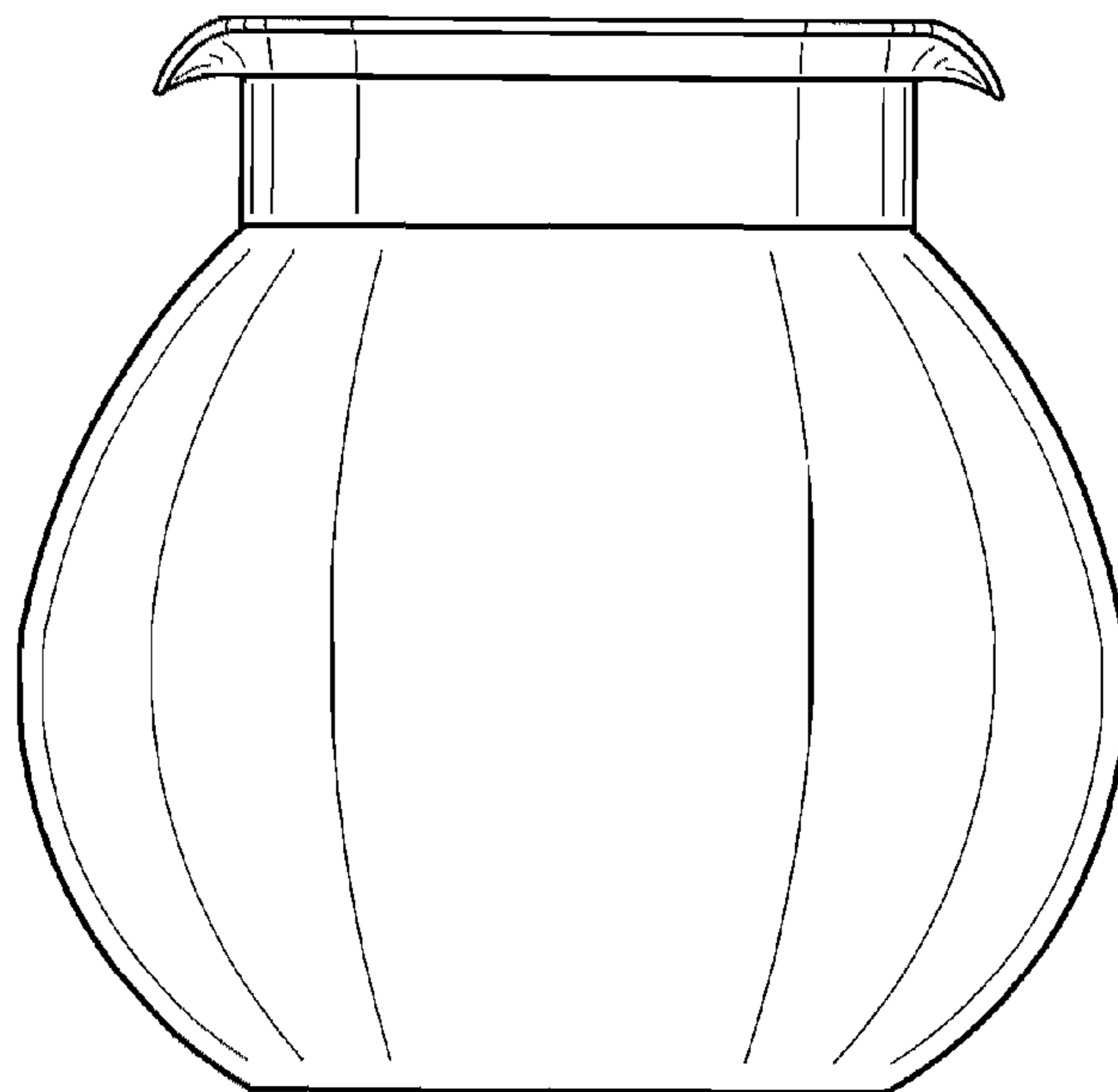


FIG. 2

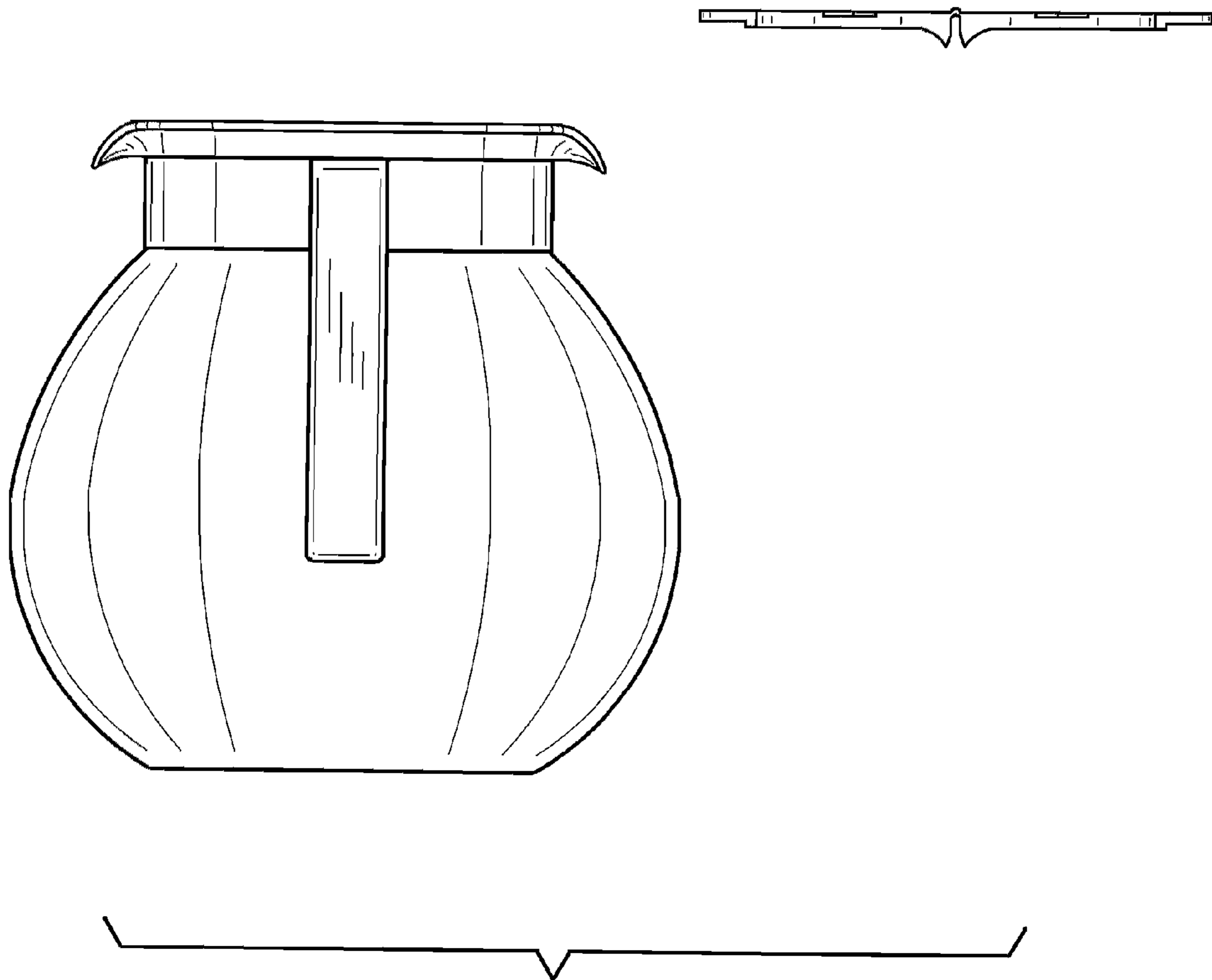


FIG. 3

FIG. 4

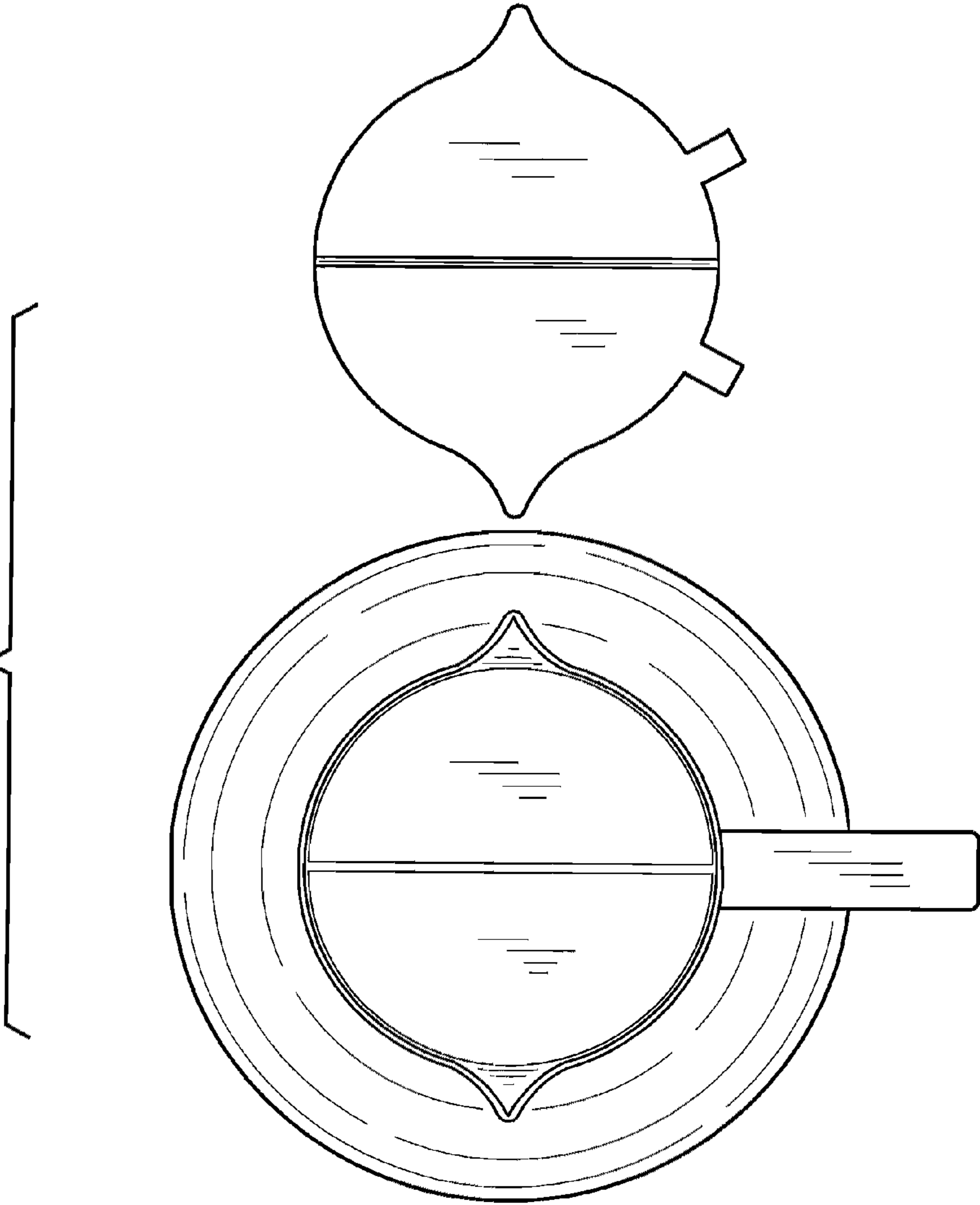
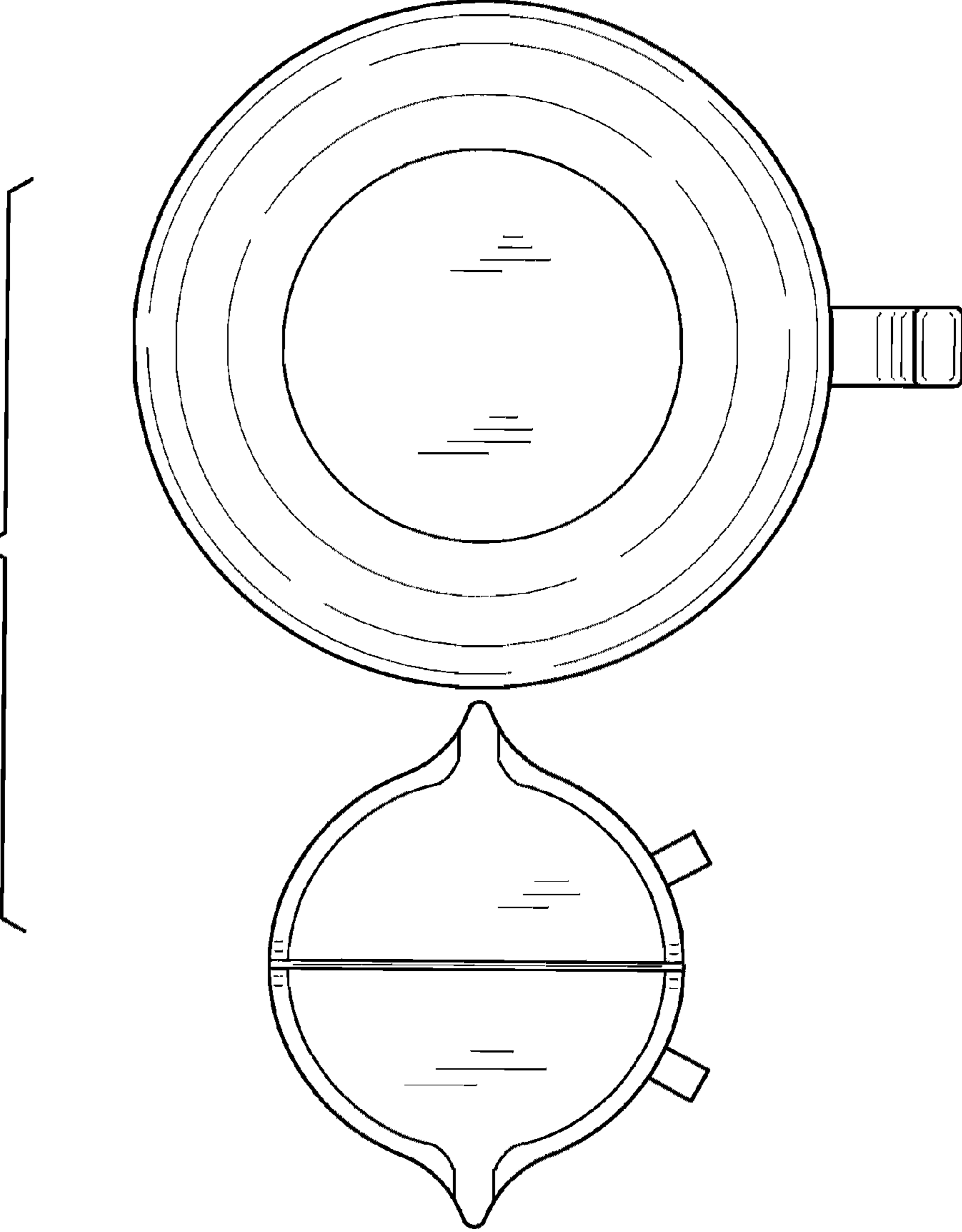


FIG. 5



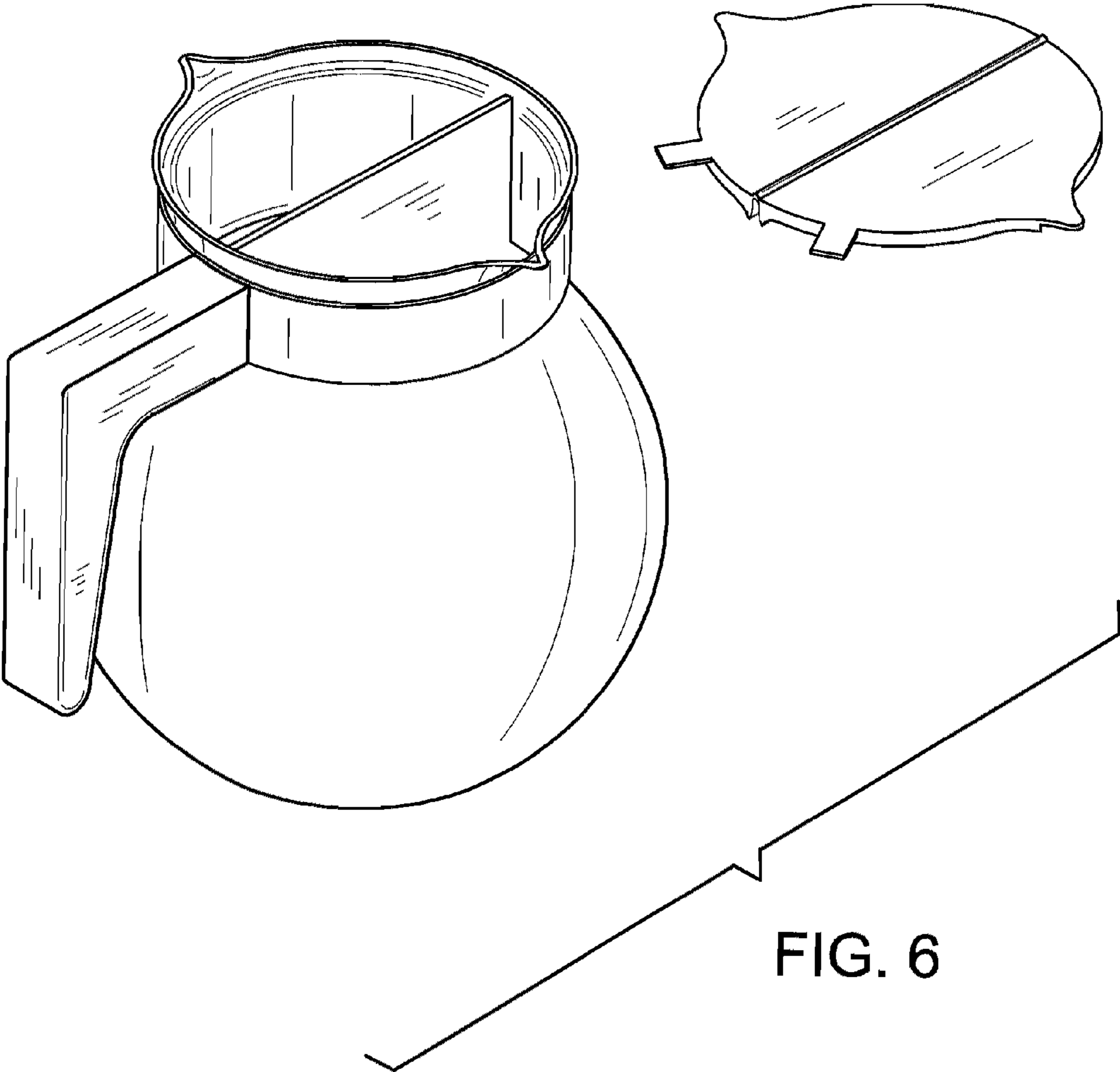


FIG. 6