



US00D666451S

(12) **United States Design Patent**
Cheng

(10) **Patent No.:** **US D666,451 S**

(45) **Date of Patent:** **** Sep. 4, 2012**

(54) **ESPRESSO COFFEE MACHINE**

(76) Inventor: **Rocky Cheng, Tai Po (HK)**

(**) Term: **14 Years**

(21) Appl. No.: **29/386,167**

(22) Filed: **Feb. 25, 2011**

(30) **Foreign Application Priority Data**

Aug. 26, 2010 (EM) 001231500

(51) **LOC (9) Cl.** **07-01**

(52) **U.S. Cl.** **D7/309; D7/311**

(58) **Field of Classification Search** D7/309-311,
D7/306-308; 99/291, 307, 323.3, 293
See application file for complete search history.

(56) **References Cited**

U.S. PATENT DOCUMENTS

D462,865	S *	9/2002	Honan et al.	D7/309
D473,745	S *	4/2003	Mulle et al.	D7/309
D513,572	S *	1/2006	Schaffeld et al.	D7/309
7,017,472	B2 *	3/2006	Grant et al.	99/282
7,093,533	B2 *	8/2006	Tebo et al.	99/315
7,252,035	B2 *	8/2007	Lin	99/295
D597,368	S *	8/2009	Steiner	D7/309
D612,657	S *	3/2010	Luippold et al.	D7/306
D637,859	S *	5/2011	Orkney et al.	D7/306
D644,058	S *	8/2011	Cahen	D7/309
D649,392	S *	11/2011	Cahen	D7/307
D649,826	S *	12/2011	Garman	D7/306

* cited by examiner

Primary Examiner — Marianne Pandozzi

(74) *Attorney, Agent, or Firm* — Scully, Scott, Murphy & Presser, P.C.

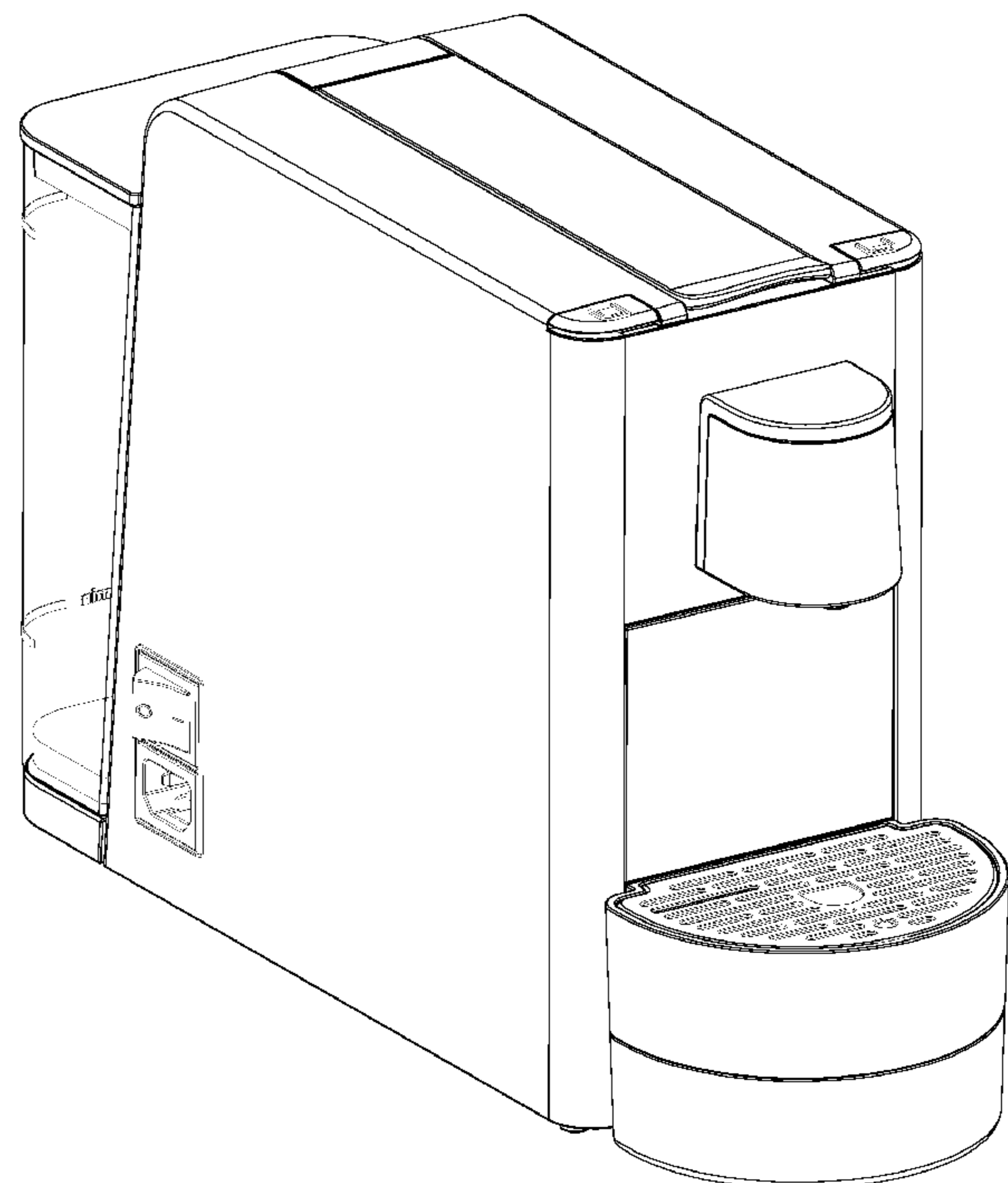
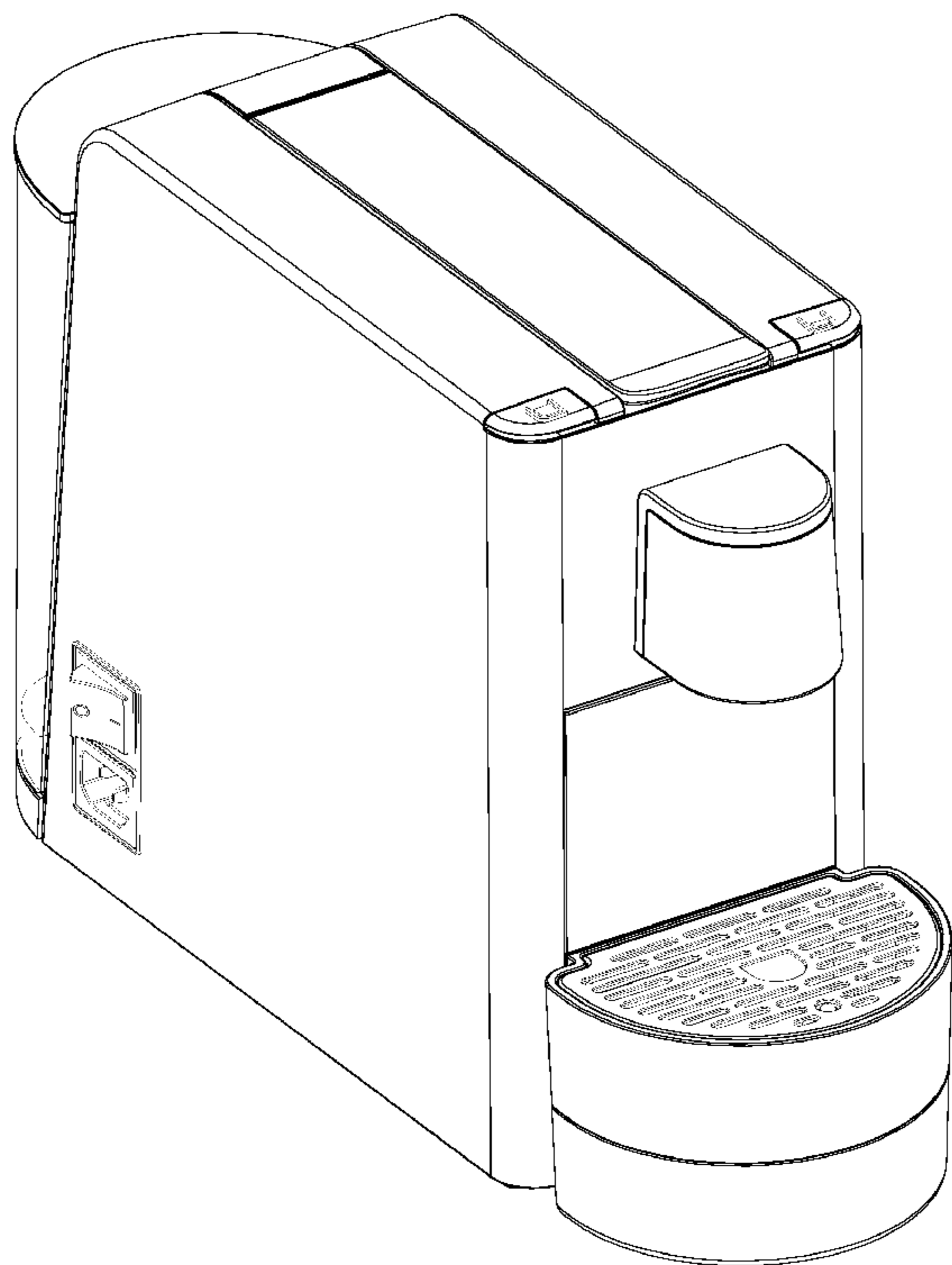
(57) **CLAIM**

The ornamental design for the “espresso coffee machine”, as shown and described.

DESCRIPTION

FIG. 1 is a front perspective view of an espresso coffee machine showing my new design;
 FIG. 2 is a front elevation view thereof;
 FIG. 3 is a rear elevation view thereof;
 FIG. 4 is a left side view thereof;
 FIG. 5 is a right side view thereof;
 FIG. 6 is a top plan view thereof;
 FIG. 7 is a bottom plan view thereof;
 FIG. 8 is a rear perspective view thereof.
 FIG. 9 is a front perspective view of an espresso coffee machine showing a second embodiment of my new design;
 FIG. 10 is a front elevation view thereof;
 FIG. 11 is a rear elevation view thereof;
 FIG. 12 is a left side view thereof;
 FIG. 13 is a right side view thereof;
 FIG. 14 is a top plan view thereof;
 FIG. 15 is a bottom plan view thereof; and,
 FIG. 16 is a rear perspective view thereof.

1 Claim, 16 Drawing Sheets



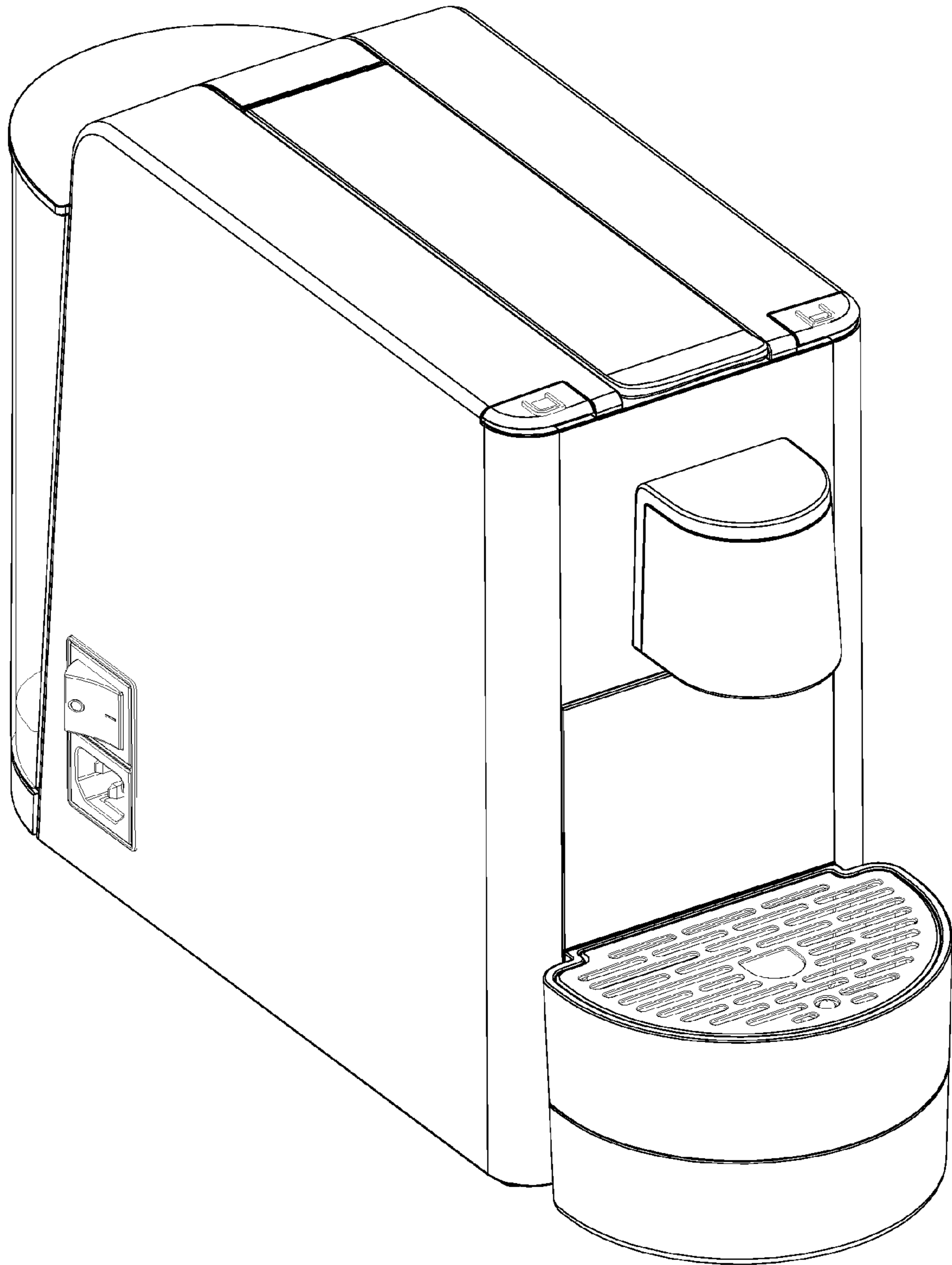


Fig. 1

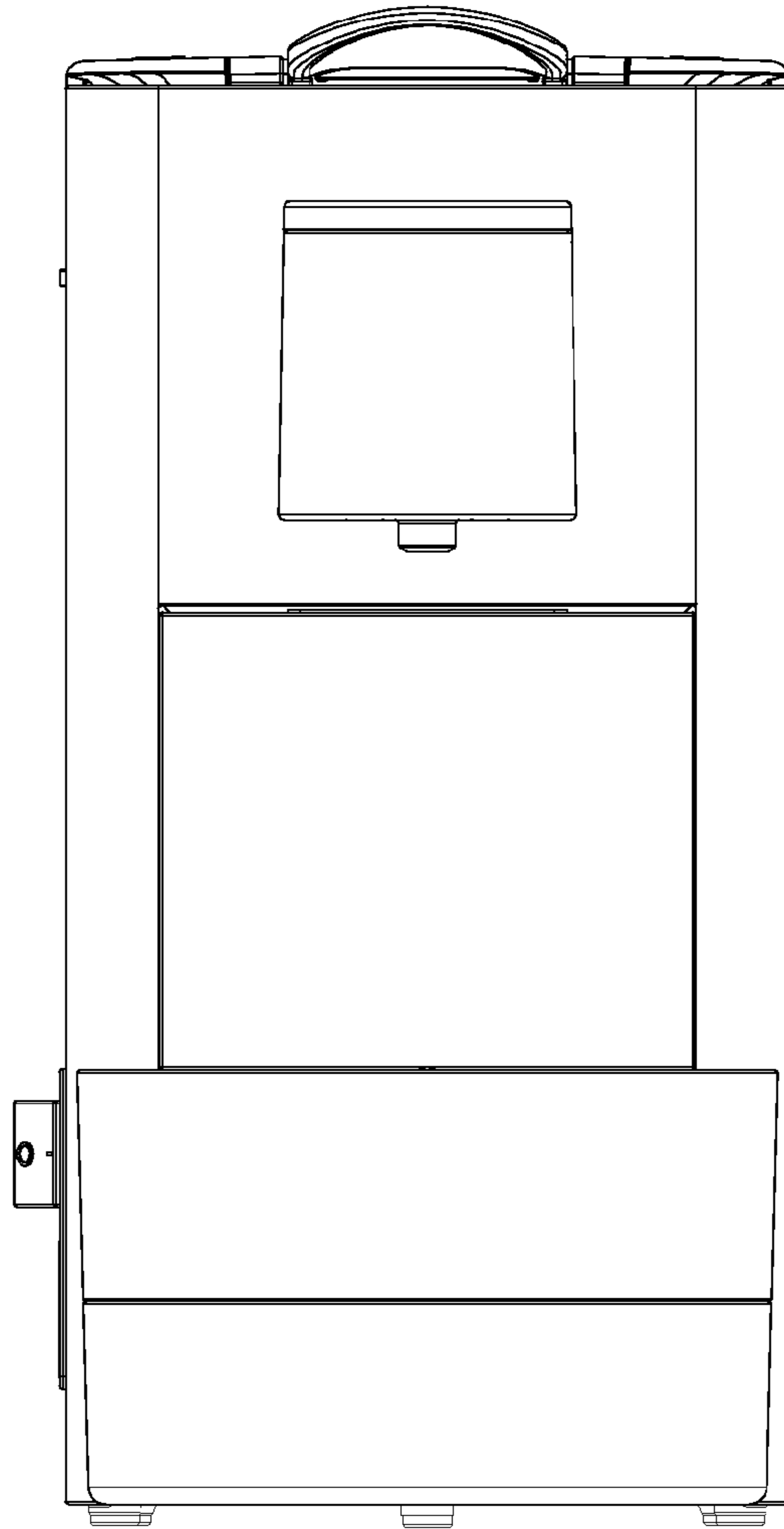


Fig. 2

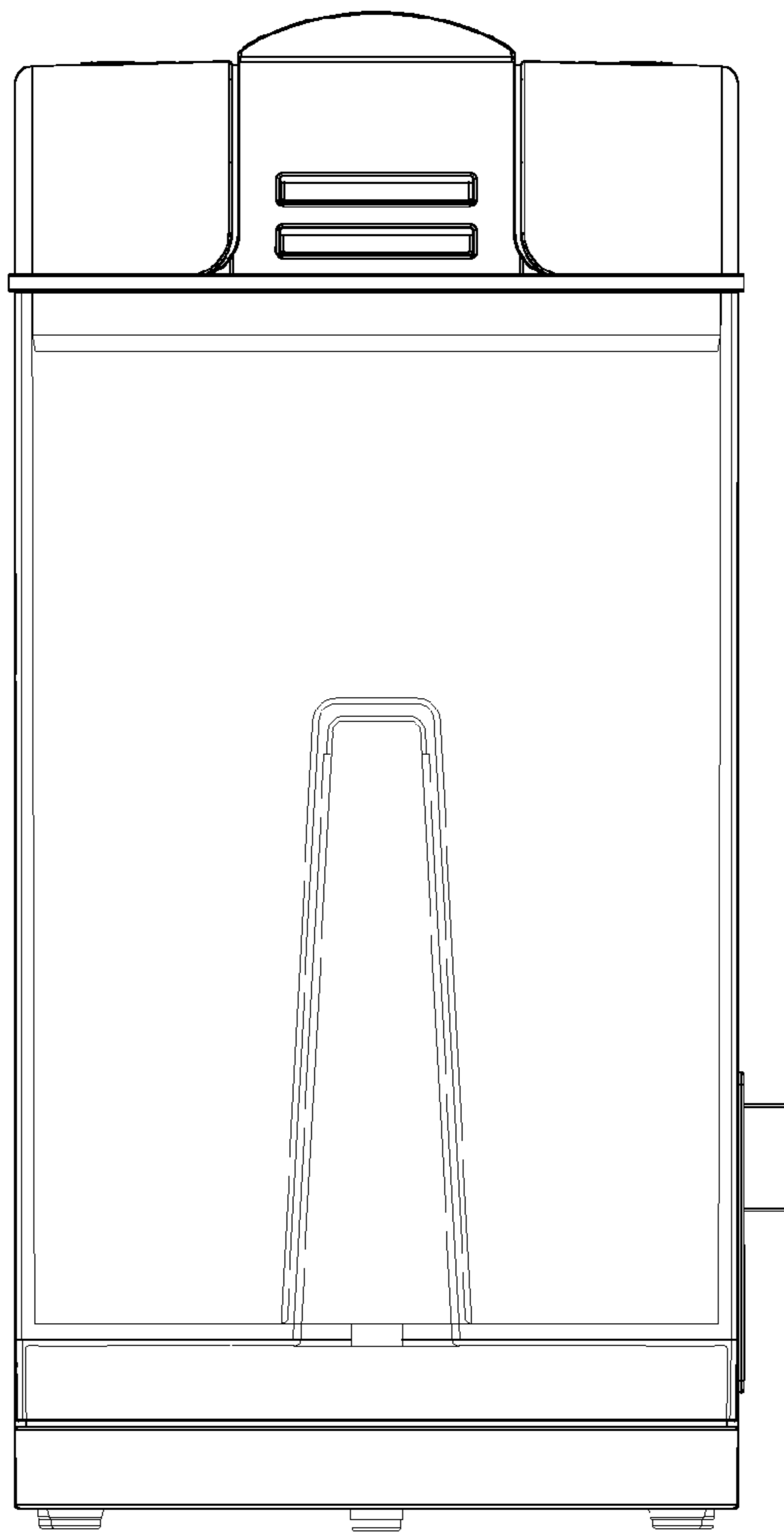


Fig. 3

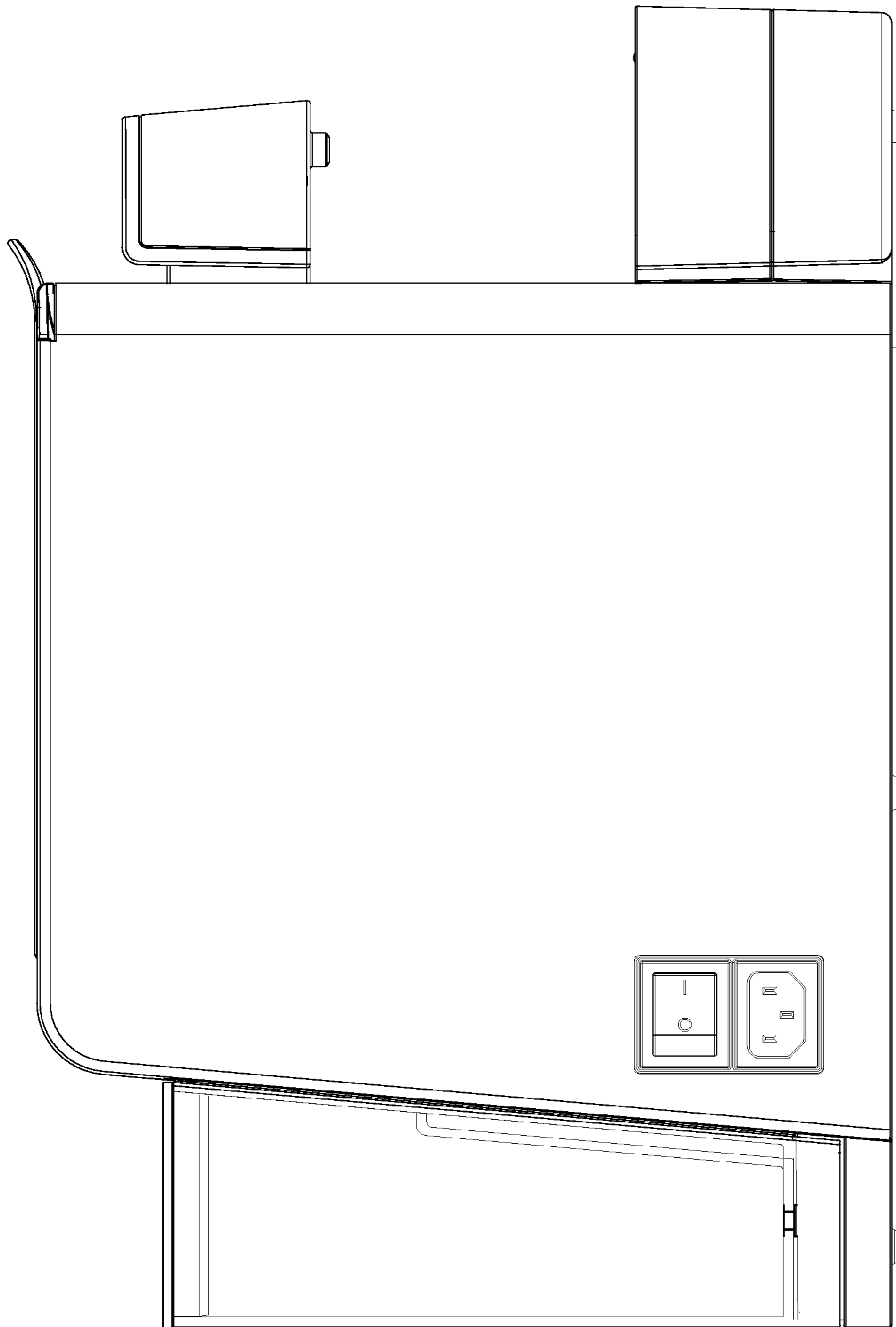


Fig. 4

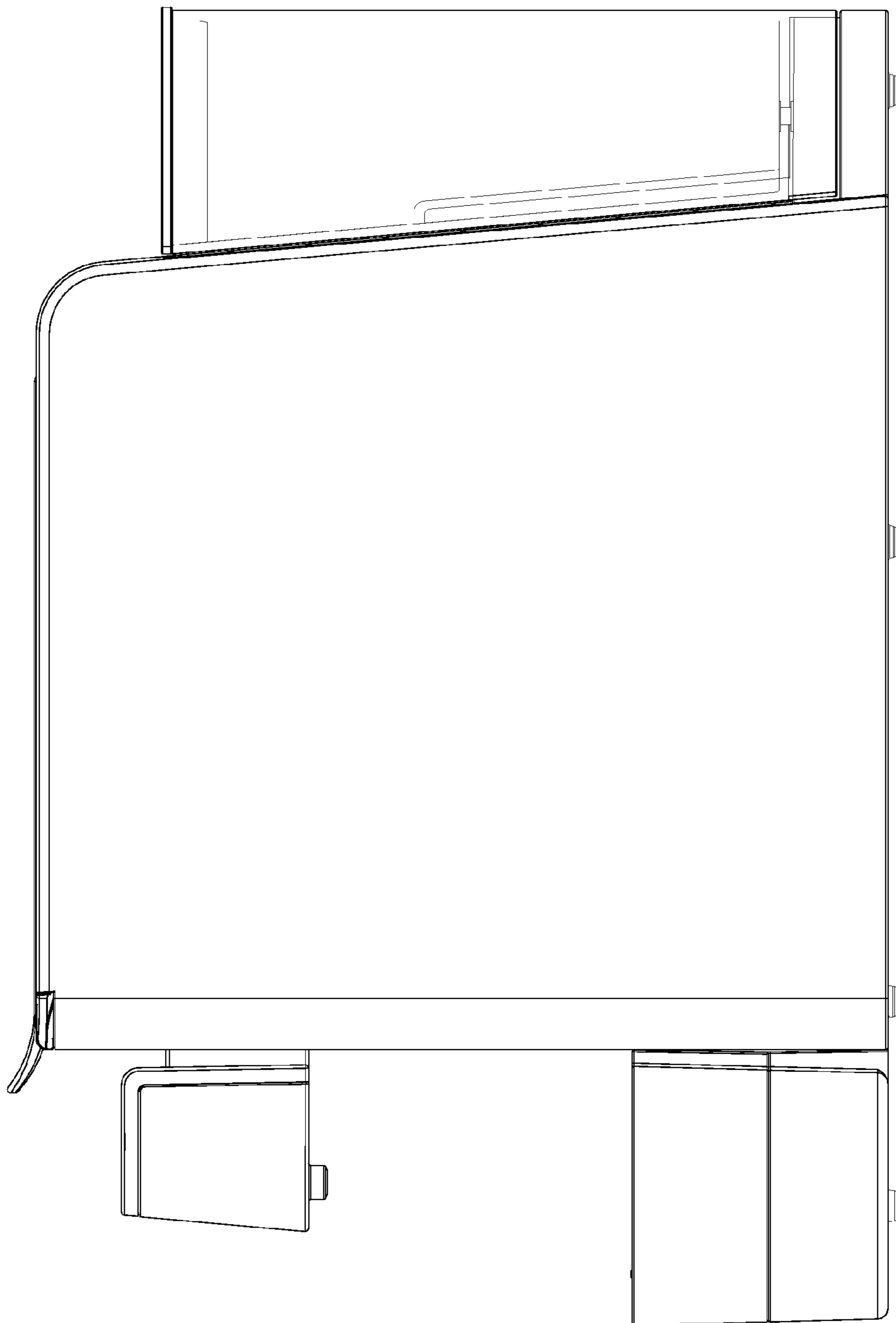


Fig. 5

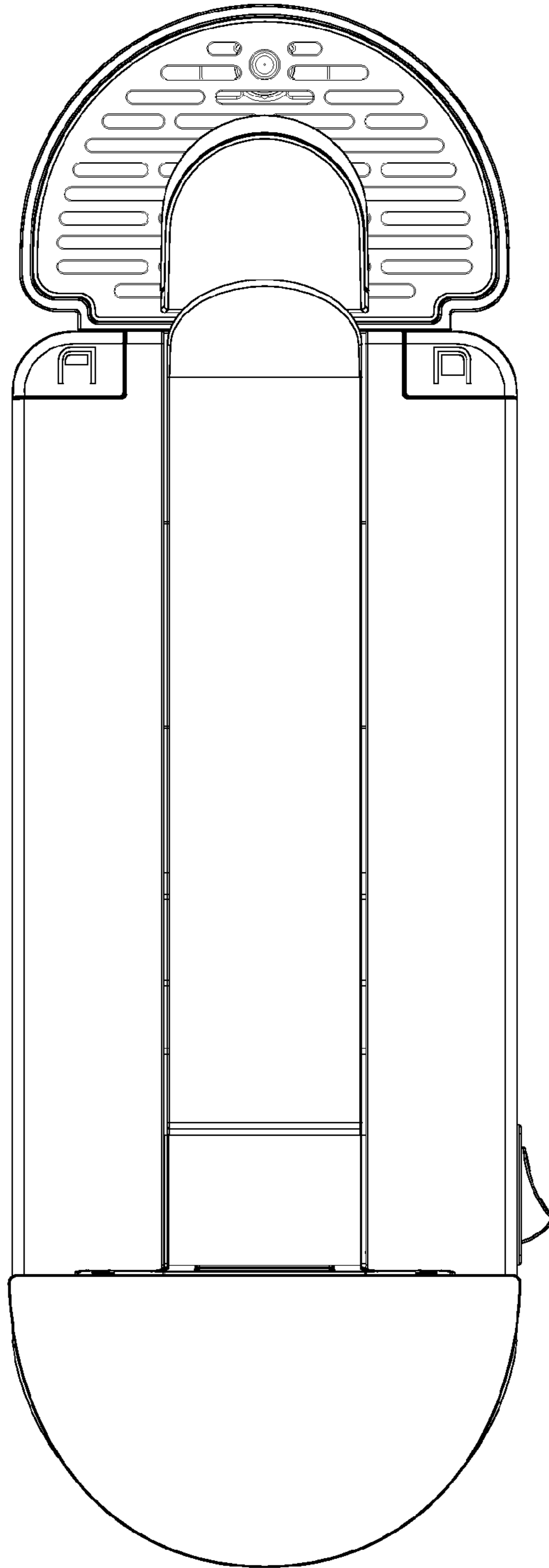


Fig. 6

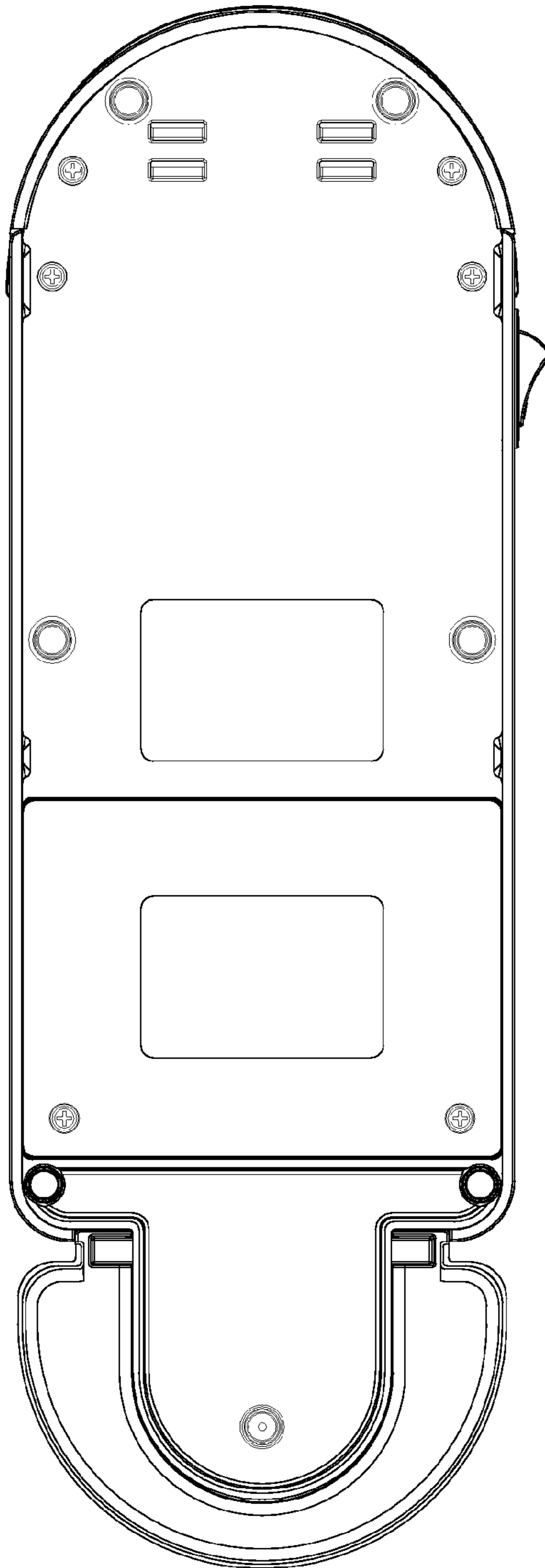


Fig. 7

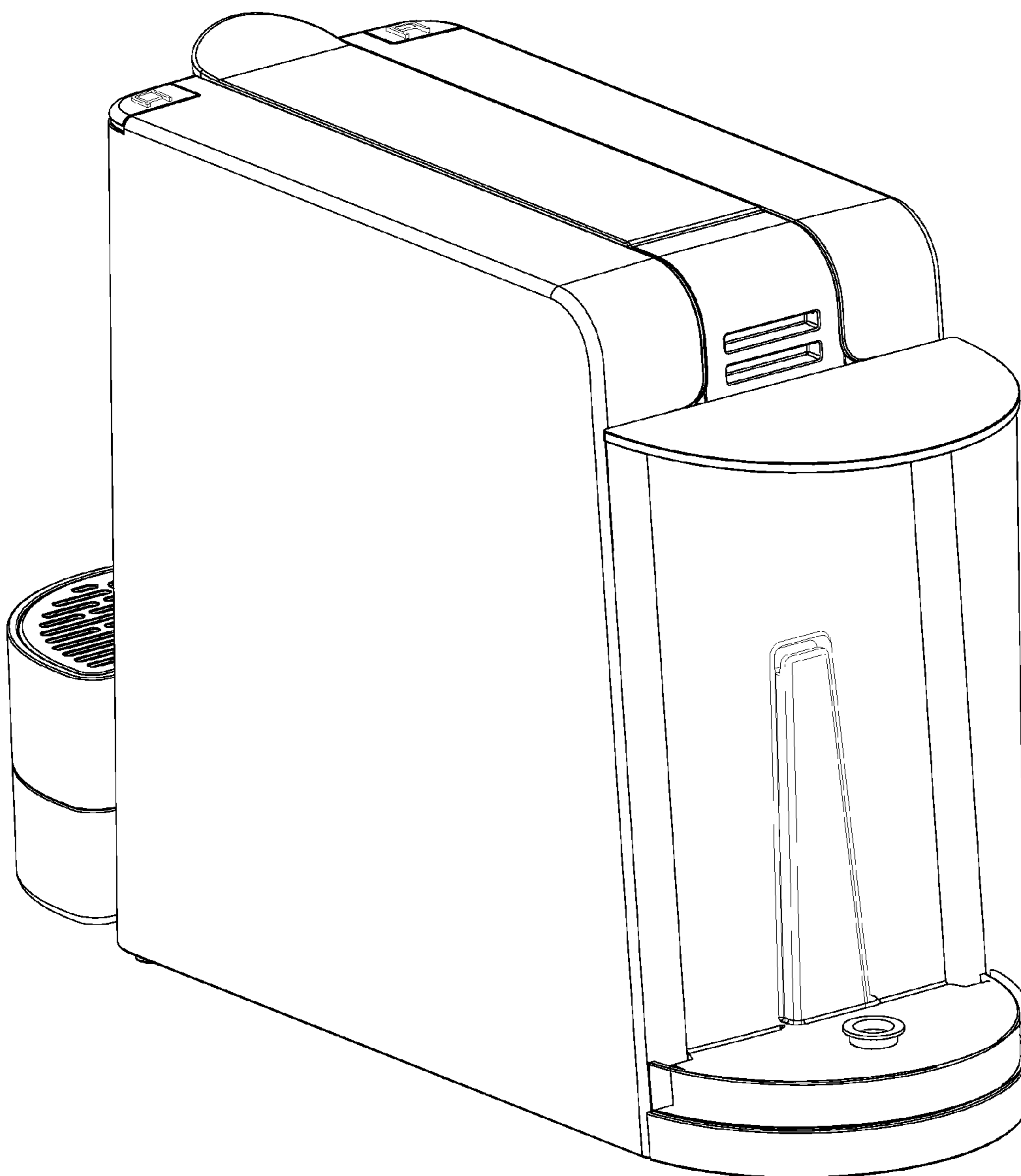


Fig. 8

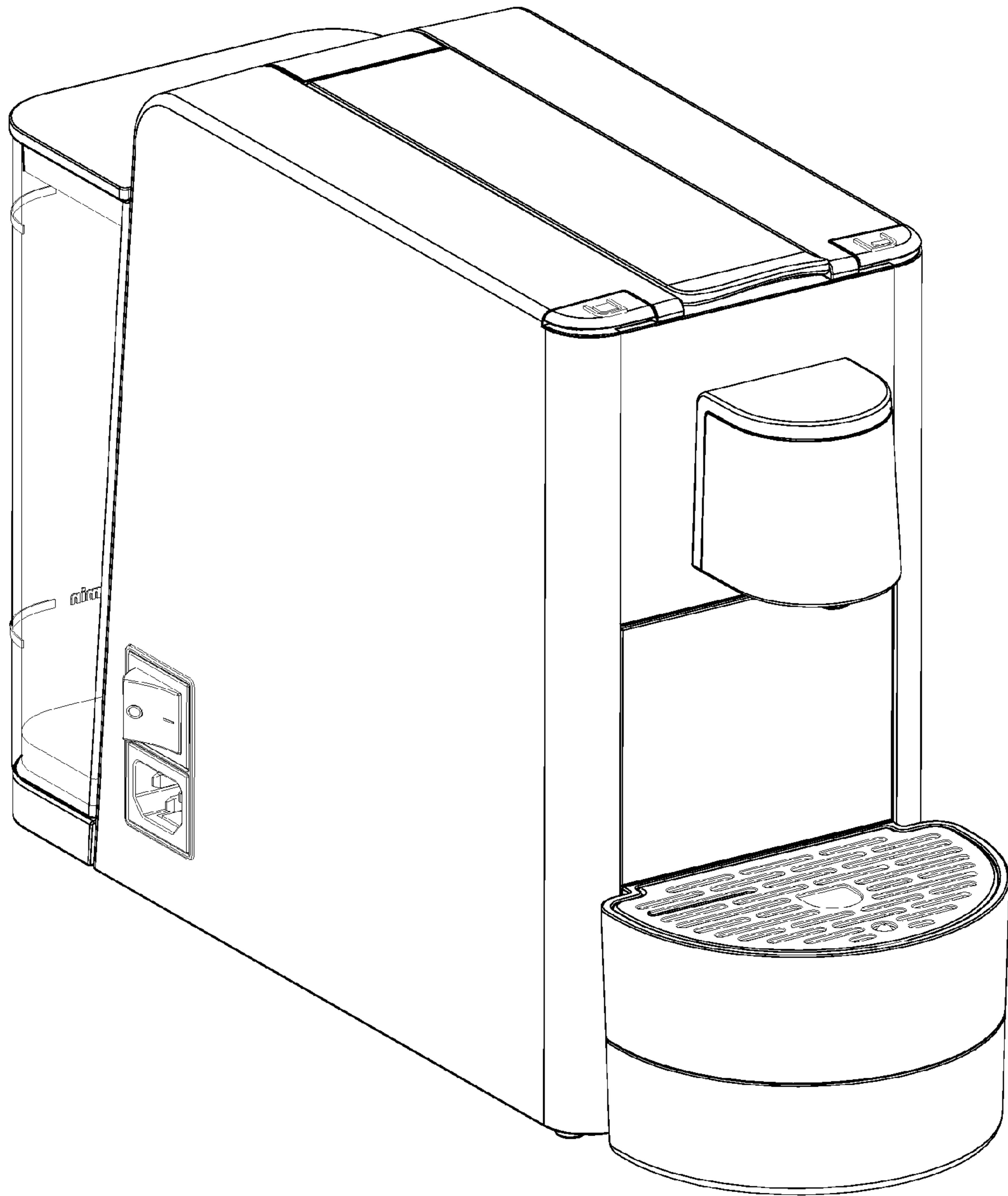


Fig. 9

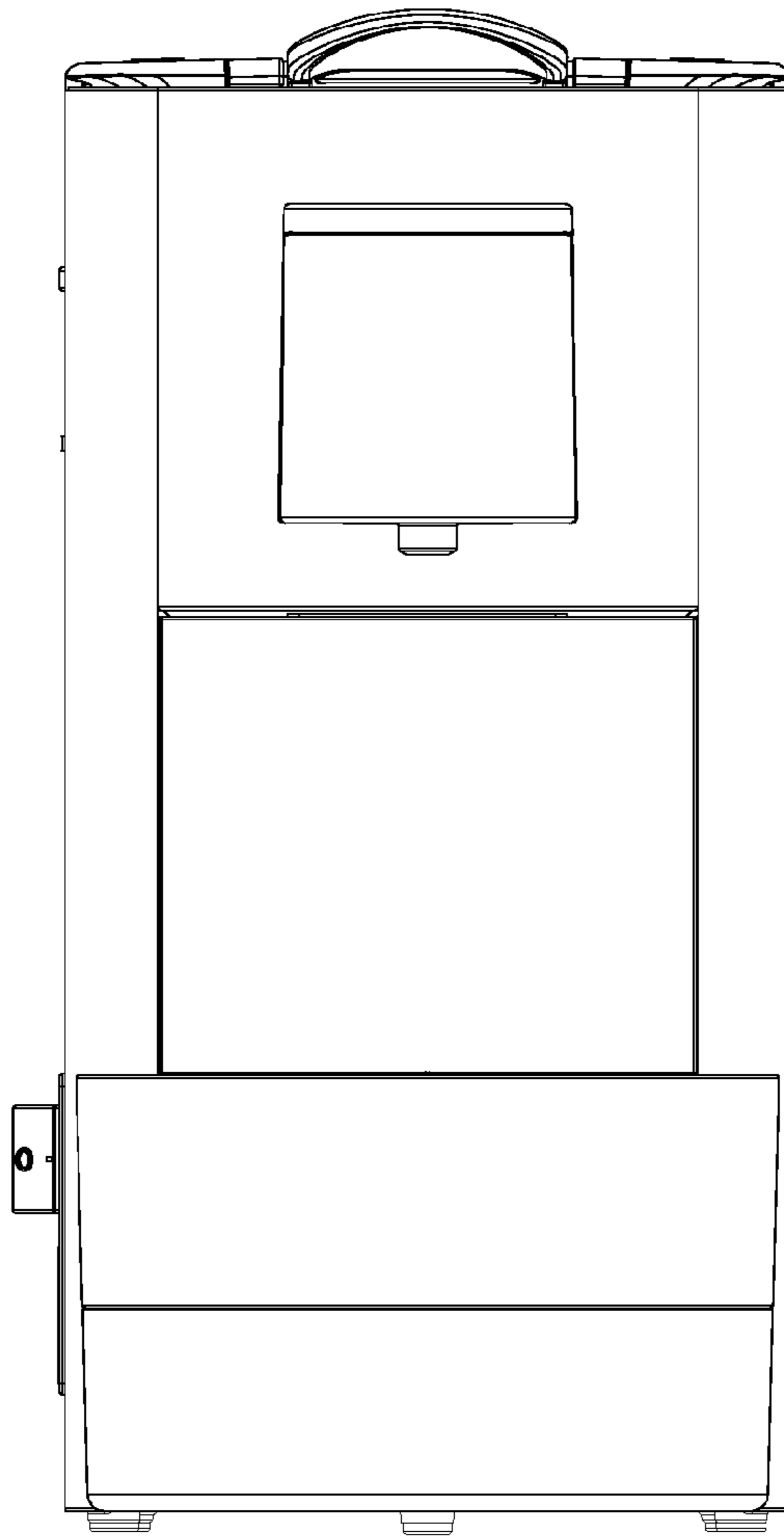


Fig. 10

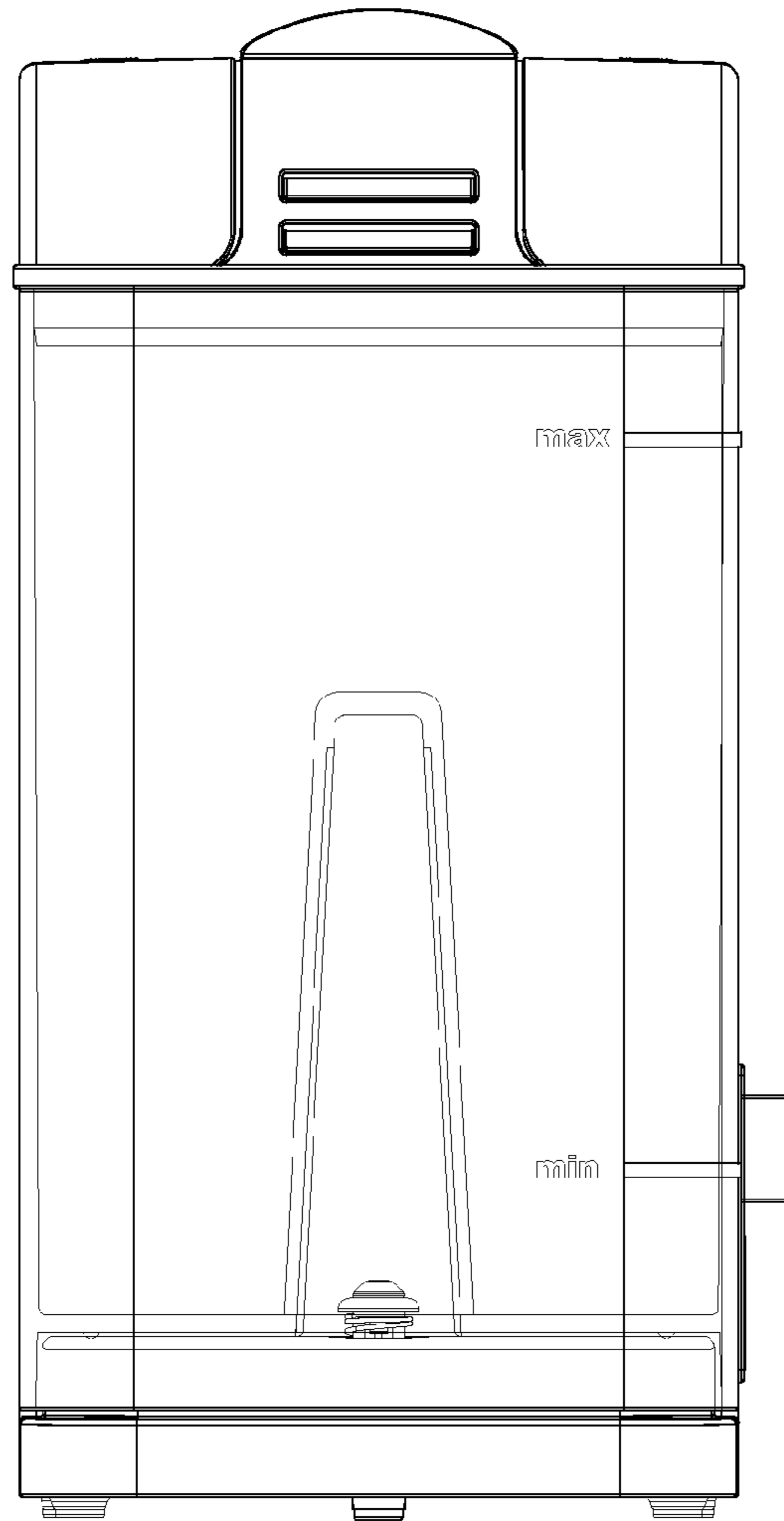


Fig. 11

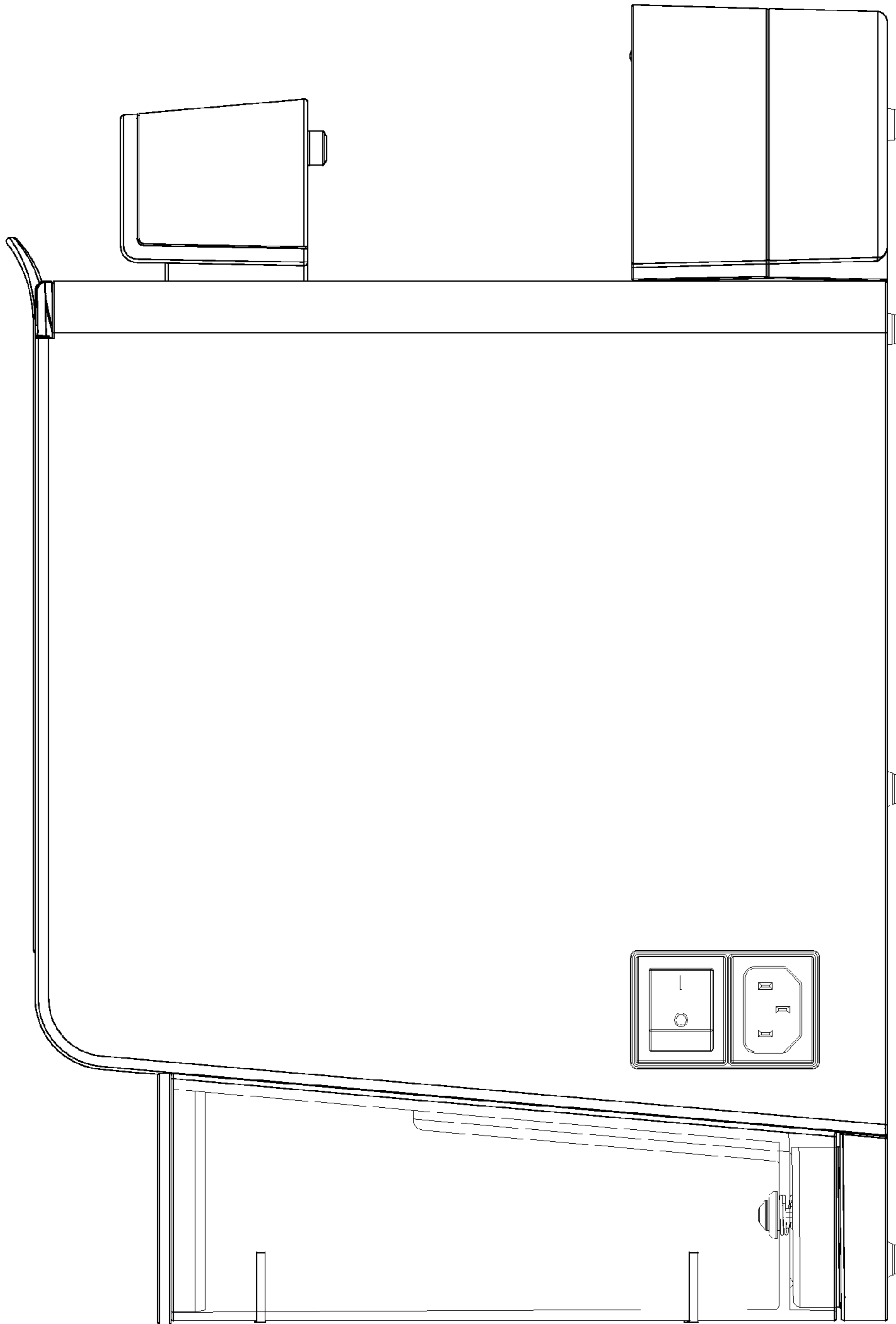


Fig. 12

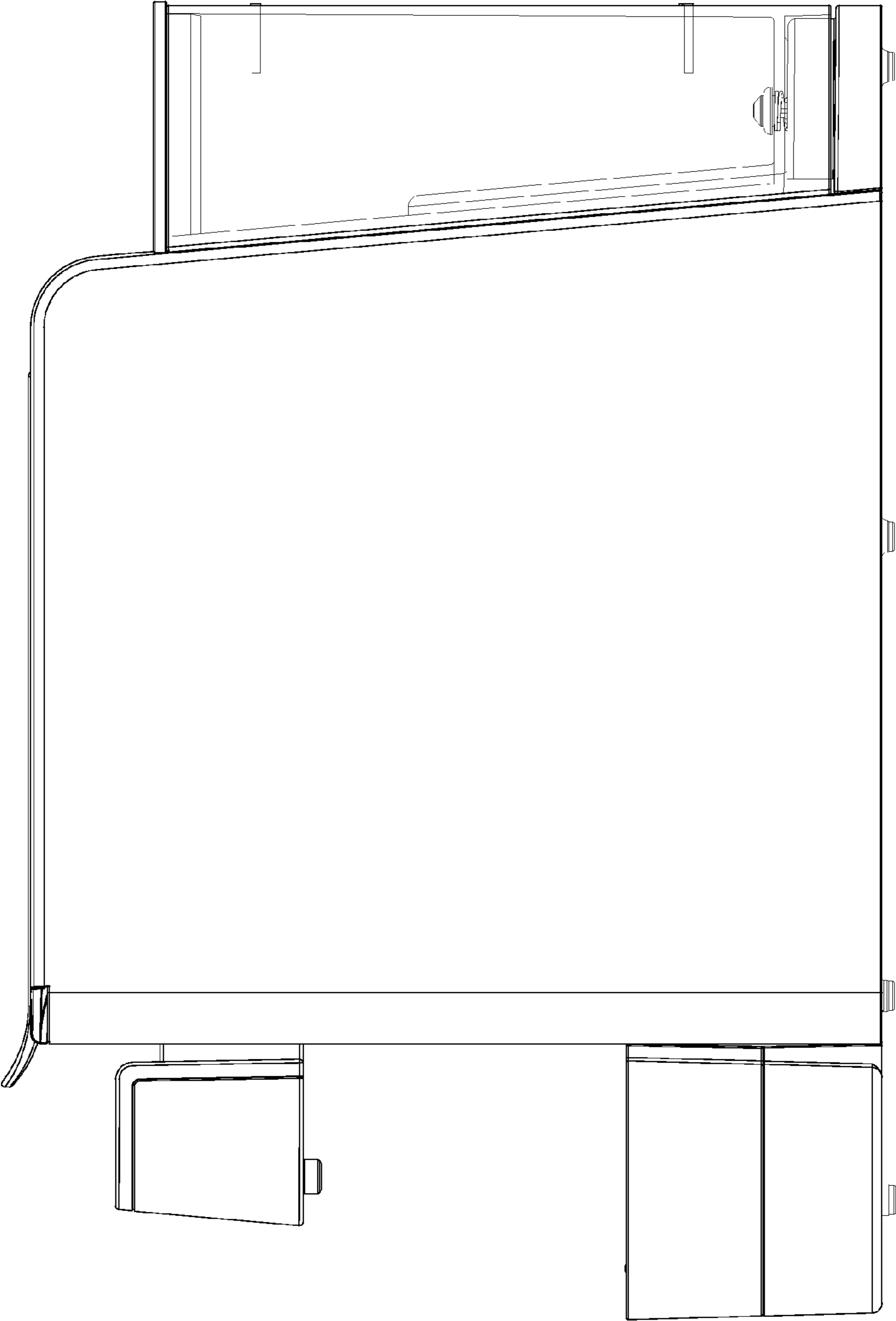


Fig. 13

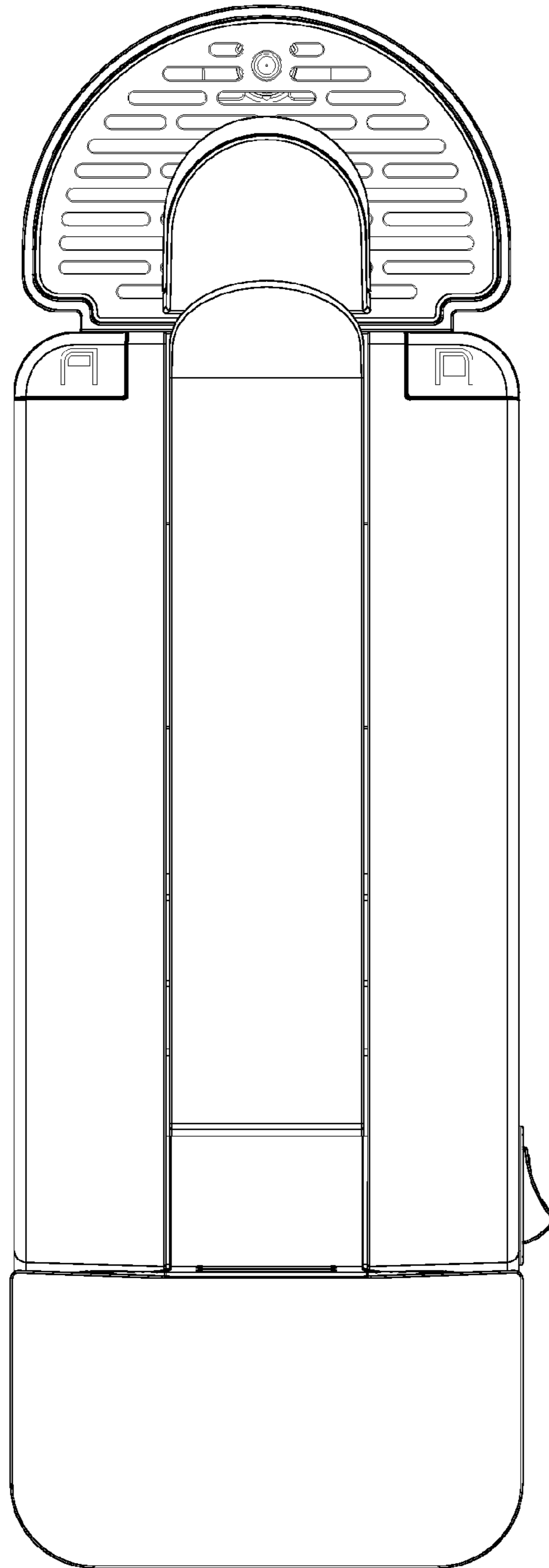


Fig. 14

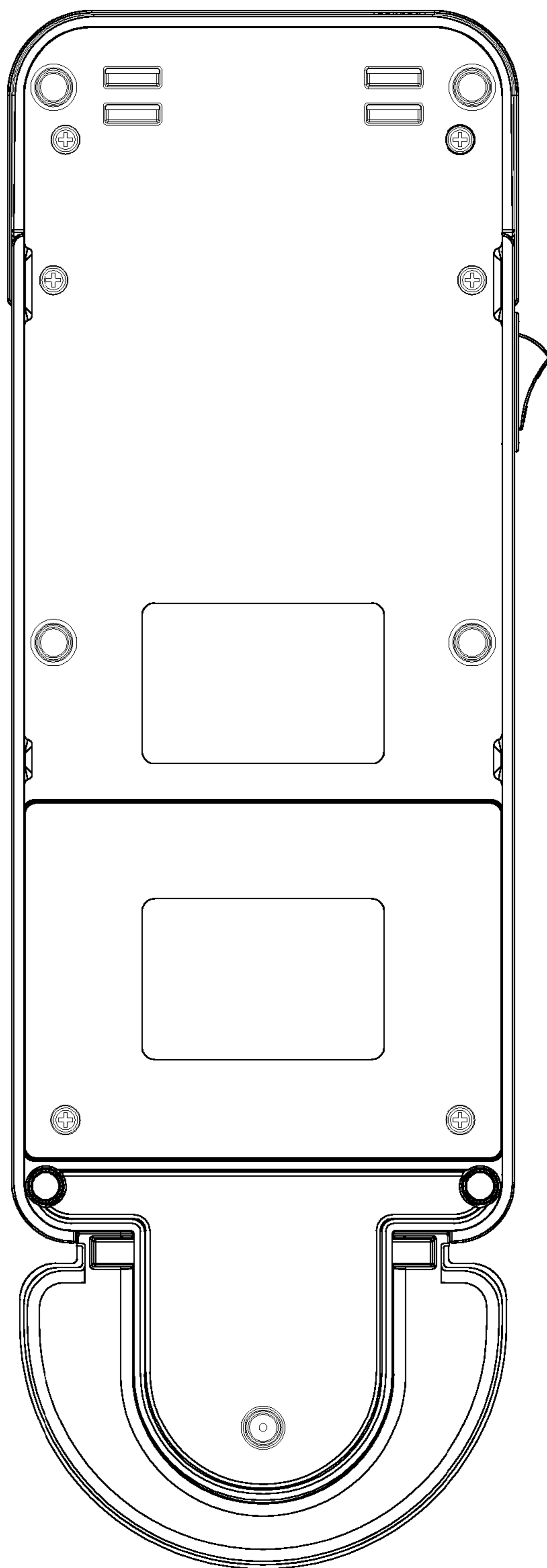


Fig. 15

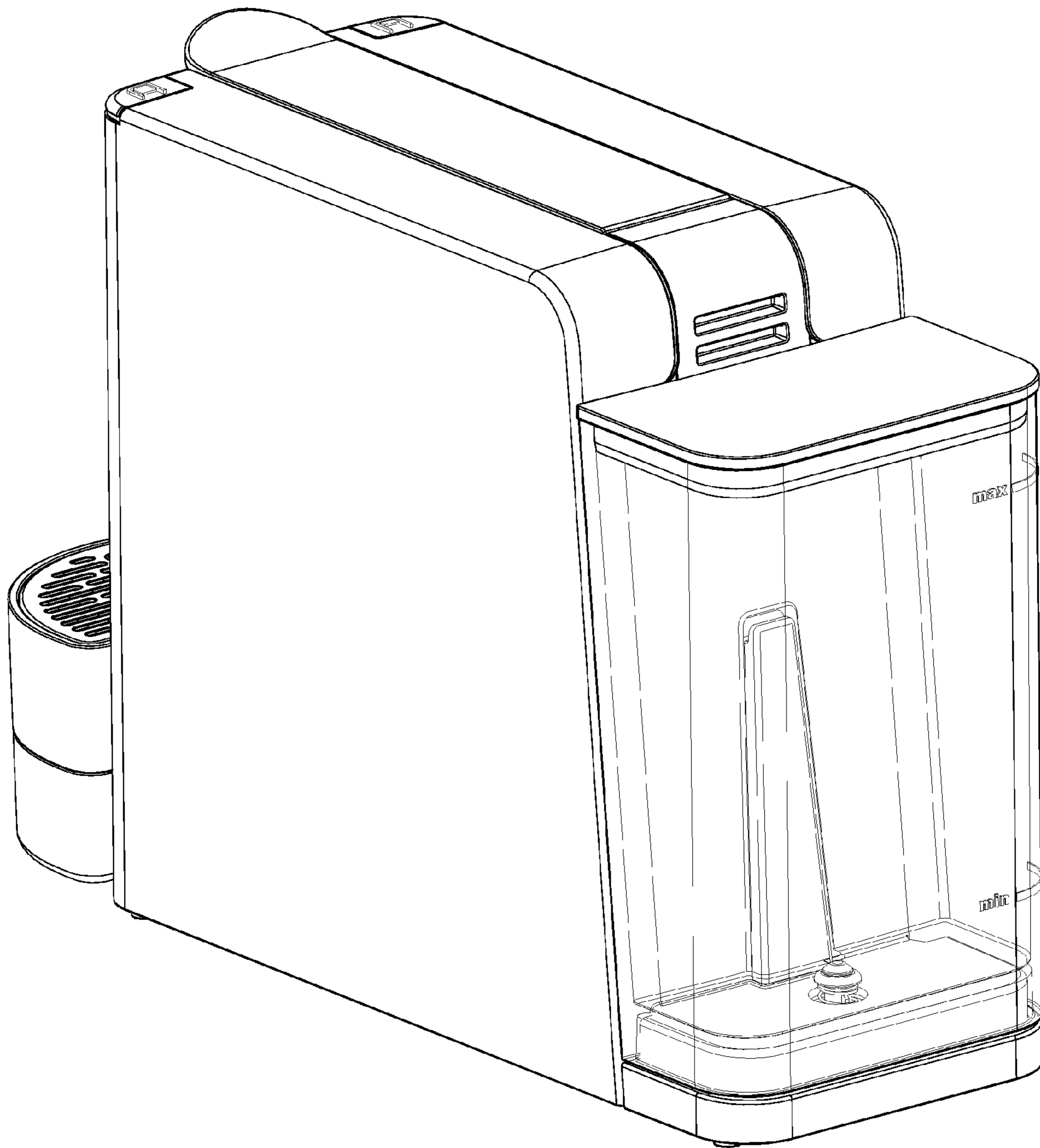


Fig. 16