



US00D666450S

(12) **United States Design Patent**
Weigelt

(10) **Patent No.:** **US D666,450 S**

(45) **Date of Patent:** **** Sep. 4, 2012**

(54) **PROTECTIVE BARBEQUE MAT**

(76) Inventor: **Recia Weigelt**, Snohomish, WA (US)

(**) Term: **14 Years**

(21) Appl. No.: **29/396,476**

(22) Filed: **Jun. 30, 2011**

Related U.S. Application Data

(63) Continuation-in-part of application No. 29/330,708, filed on Jan. 13, 2009, now abandoned.

(51) **LOC (9) Cl.** **06-13**

(52) **U.S. Cl.** **D6/610**

(58) **Field of Classification Search** D6/610-612,
D6/616, 582-584, 596, 601; 297/219.1-229;
5/653, 655; 150/154, 158, 165; 224/275
See application file for complete search history.

(56) **References Cited**

U.S. PATENT DOCUMENTS

D118,716 S *	1/1940	Ziito	D6/583
D309,227 S *	7/1990	Popiolkowski	D6/610
D357,609 S *	4/1995	Webb et al.	D6/596
D379,730 S *	6/1997	Dickman	D6/596
D421,543 S *	3/2000	Rogman et al.	D6/611
D447,662 S *	9/2001	Martinez et al.	D6/610
D450,970 S *	11/2001	Self	D6/611
D467,248 S *	12/2002	Welles	D6/601

6,609,626 B2 *	8/2003	Young et al.	150/154
D540,099 S *	4/2007	Tucker et al.	D6/611
7,374,240 B2 *	5/2008	Gold et al.	297/219.12
D596,890 S *	7/2009	Sulier	D6/611
2005/0230443 A1 *	10/2005	Bredeson	224/275

* cited by examiner

Primary Examiner — David Muller

(74) *Attorney, Agent, or Firm* — Priya Sinha Cloutier

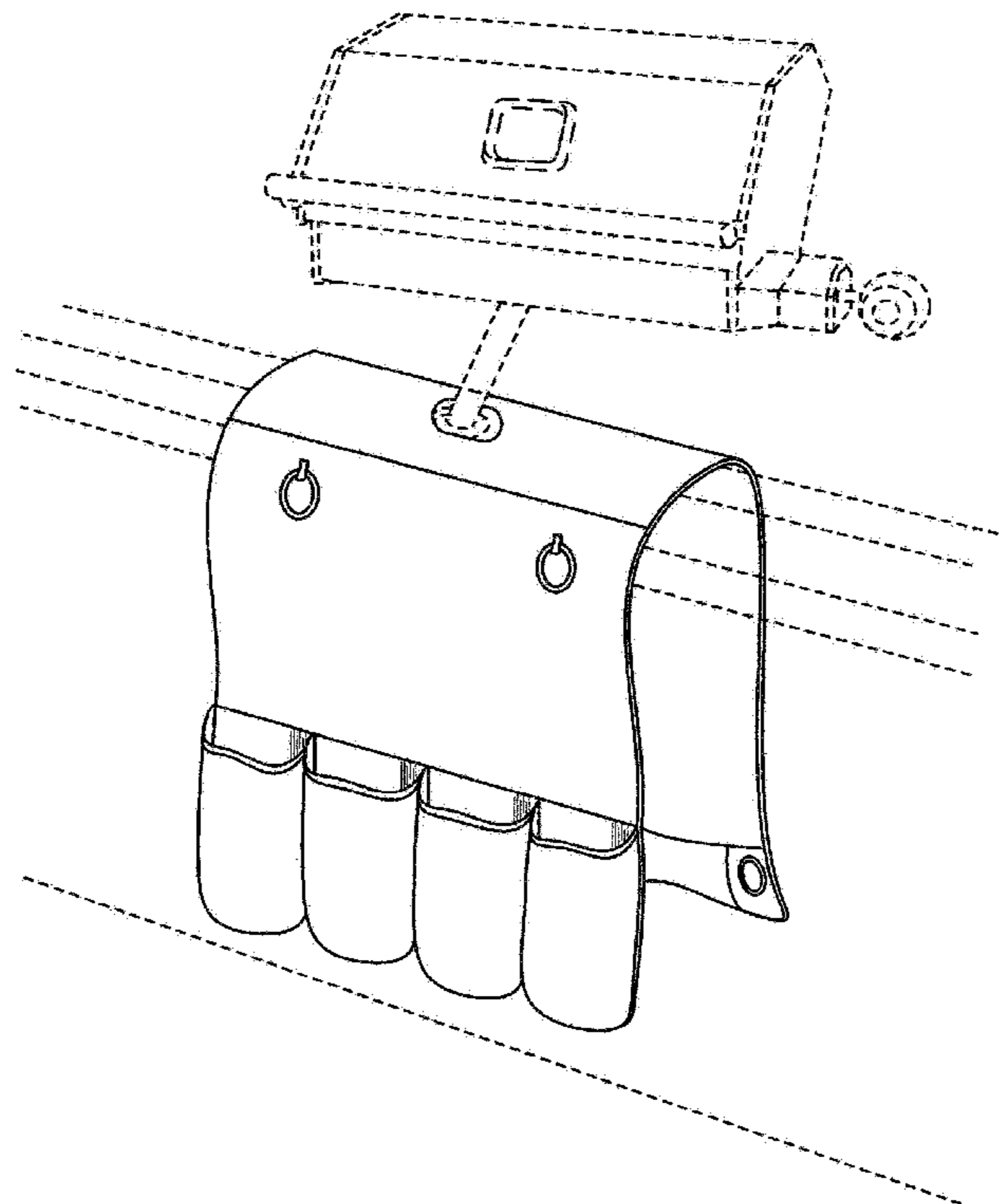
(57) **CLAIM**

I claim the ornamental design for a protective barbeque mat, as shown and described.

DESCRIPTION

FIG. 1 is a perspective view of a first embodiment of the mat, shown in use with an on board barbeque attached to transom; FIG. 2 is a front elevation view of the mat of FIG. 1; FIG. 3 is a perspective view of a second embodiment of the mat, shown in use with an on board barbeque attached to railings; FIG. 4 is a front elevation view of the mat of FIG. 3; FIG. 5 is an enlarged bottom plan view of the mat of the embodiments of 1 and 2; and, FIG. 6 is an enlarged broken away side elevation view of the lower portion of the mat of embodiments of 1 and 2. The broken line showing of the barbeque, transom and railings in FIGS. 1 and 2 is included for the purpose of illustrating use and environment and forms no part of the claimed design.

1 Claim, 6 Drawing Sheets



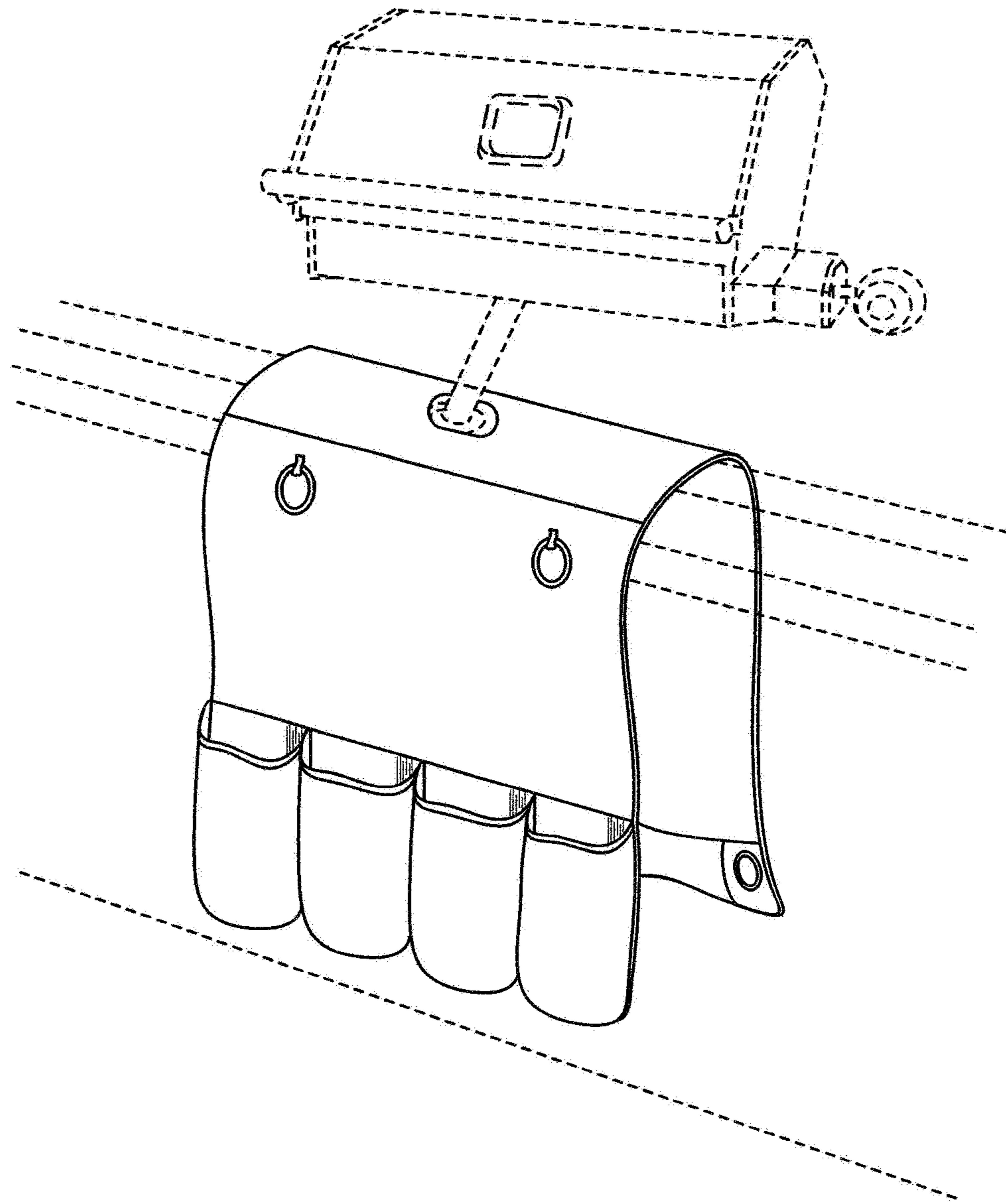


FIG. 1

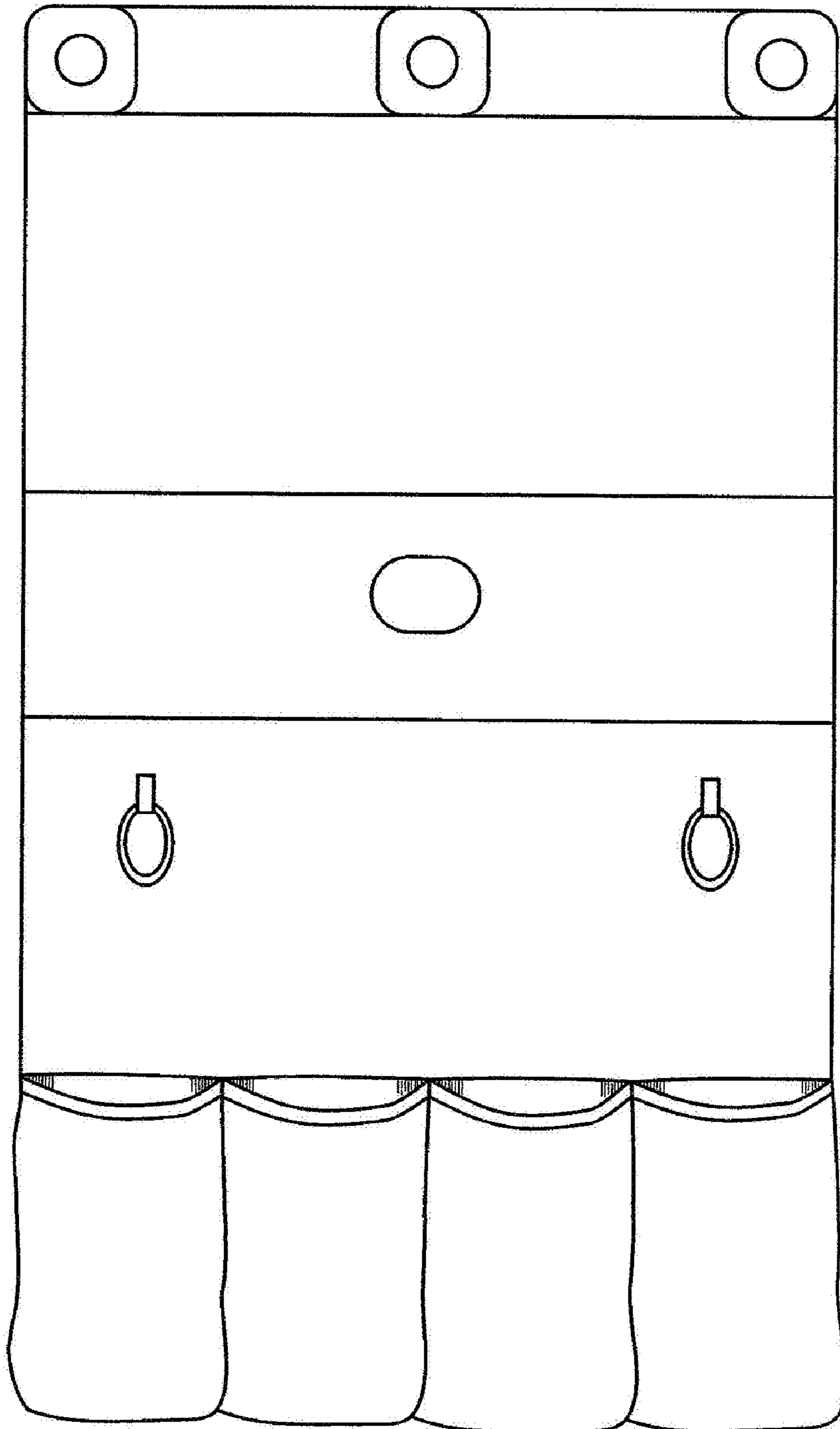


FIG. 2

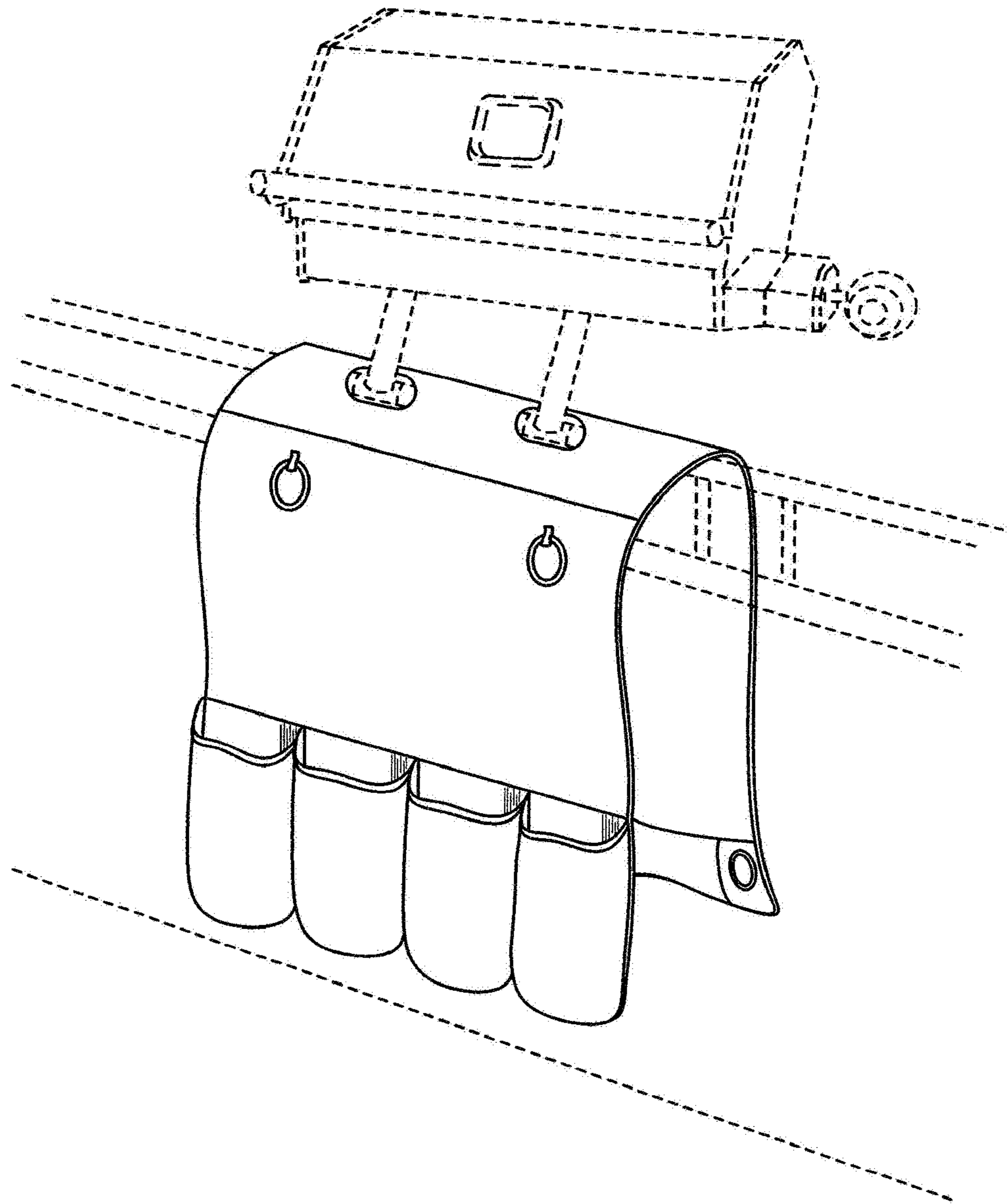


FIG. 3

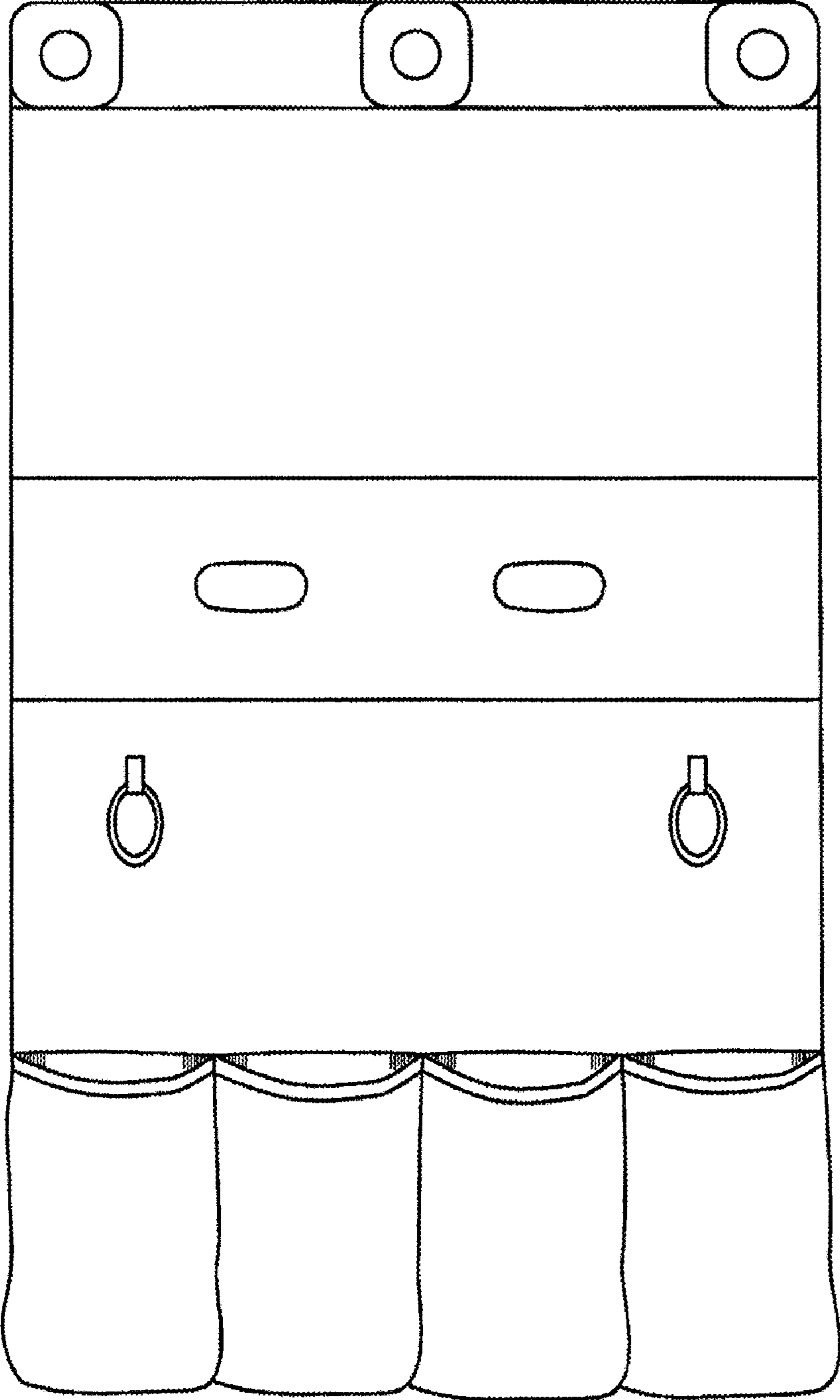


FIG. 4

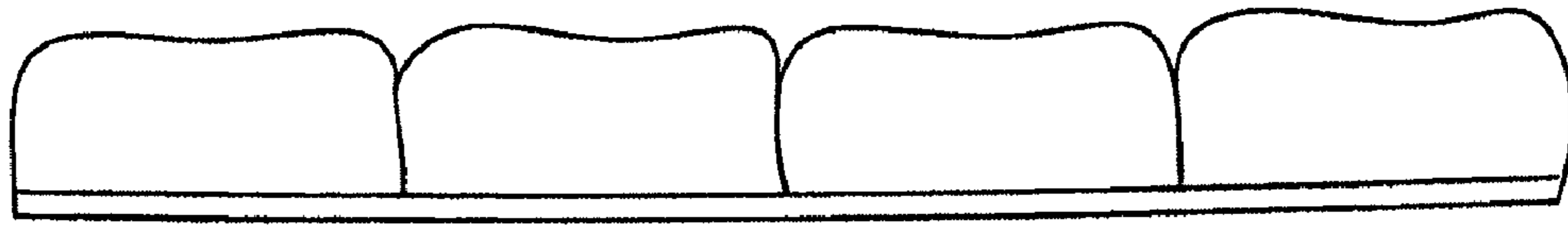


FIG. 5

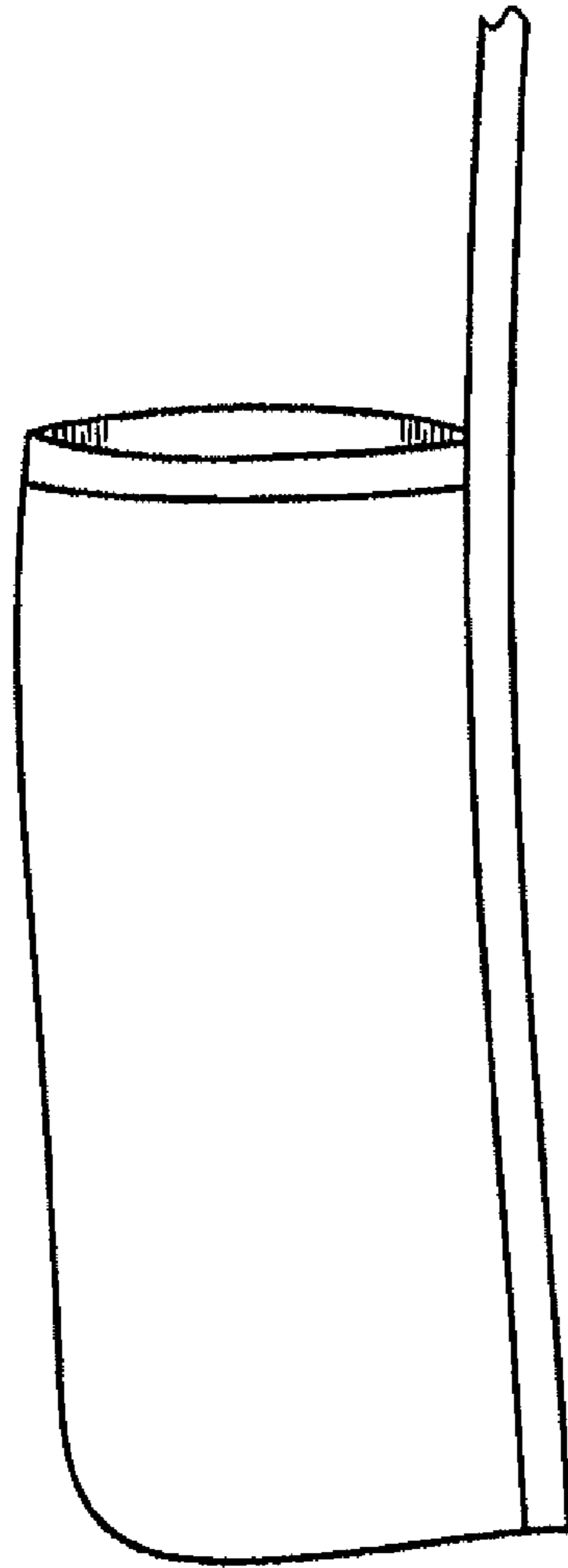


FIG. 6