



US00D666445S

(12) **United States Design Patent**
Tharp et al.

(10) **Patent No.:** **US D666,445 S**

(45) **Date of Patent:** **** Sep. 4, 2012**

(54) **WALL STORAGE UNIT**

(76) Inventors: **Bruce Mitchell Tharp**, Chicago, IL
(US); **Stephanie Munson Tharp**,
Chicago, IL (US)

(**) Term: **14 Years**

(21) Appl. No.: **29/397,615**

(22) Filed: **Jul. 19, 2011**

(51) **LOC (9) Cl.** **06-04**

(52) **U.S. Cl.** **D6/567; D8/349**

(58) **Field of Classification Search** D6/512-514,
D6/552, 553, 556, 567, 571, 466, 523, 525;
D8/349, 354, 367, 373, 380, 381; D28/73,
D28/86; D19/75, 77, 81, 100; 108/33, 42;
211/13.1, 10, 85.1, 85.3, 85.6, 85.9, 14, 30,
211/32, 41.12, 69.5, 70.1, 70.6, 70.7, 60.1,
211/71.01, 72, 74, 75, 86.01, 87.01, 88.04,
211/134, 135; 248/37.3, 49, 200, 251, 300,
248/309.1, 311.2, 314, 694, 902, 907

See application file for complete search history.

(56) **References Cited**

U.S. PATENT DOCUMENTS

2,591,349 A * 4/1952 Goebel 211/60.1
D225,382 S * 12/1972 Viviano et al. D6/571
D244,857 S * 6/1977 Hayes D6/466

D278,007 S * 3/1985 Collymore D6/523
5,044,109 A * 9/1991 Fast D6/567
5,232,103 A * 8/1993 Koenig et al. 211/69.5
D363,365 S * 10/1995 Beaudoin et al. D28/73
5,544,764 A * 8/1996 Cima 211/60.1
D374,312 S * 10/1996 Edgar D6/567

* cited by examiner

Primary Examiner — Brian N Vinson

(57) **CLAIM**

The ornamental design for a wall storage unit, as shown and described.

DESCRIPTION

FIG. 1 is a top, front, and right side perspective view of a wall storage unit showing my new design;

FIG. 2 is an enlarged front elevational view thereof;

FIG. 3 is an enlarged right side elevational view thereof;

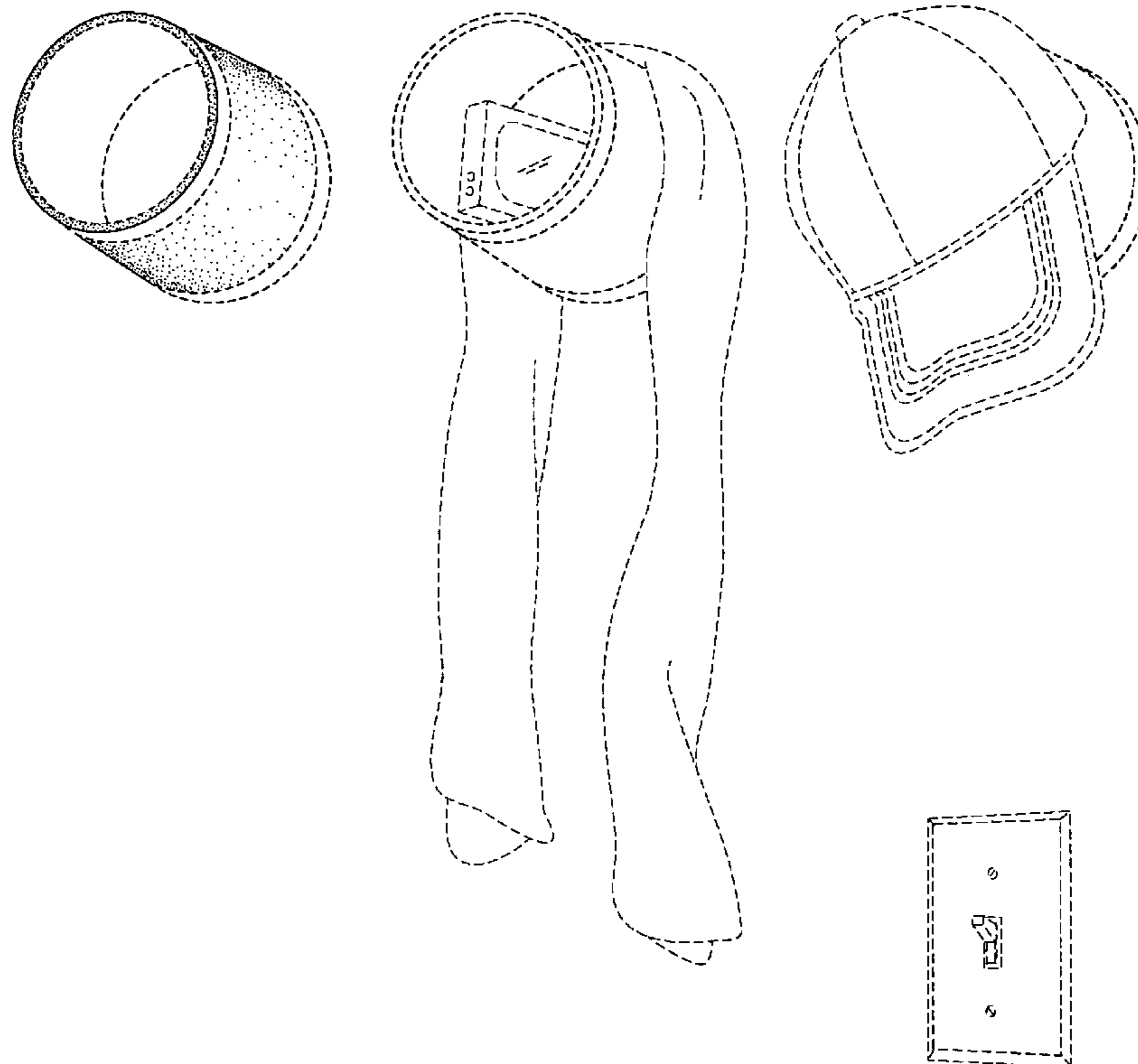
FIG. 4 is an enlarged top plan view thereof; and,

FIG. 5 is an enlarged bottom plan view thereof.

The broken-line disclosure of two additional units, scarf, mobile telephone, hat, and light switch are shown for illustrative purposed only and form no part of the claimed design.

The broken-line disclosure on the unit itself are understood to represent an unclaimed boundary between claimed and unclaimed portions of the article in which the claimed design is embodied, the claimed portions being shown with surface shading.

1 Claim, 5 Drawing Sheets



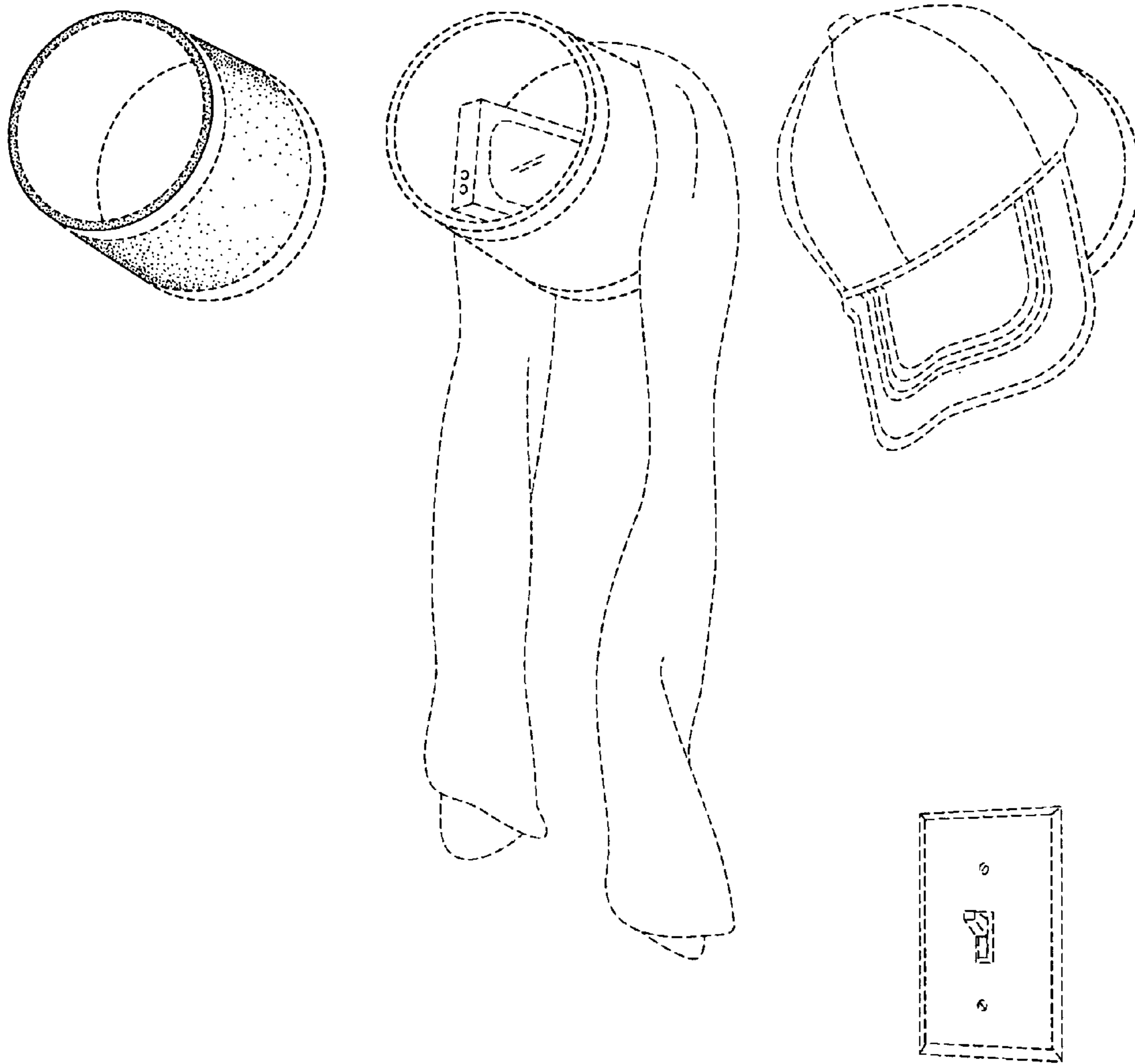


FIG. 1

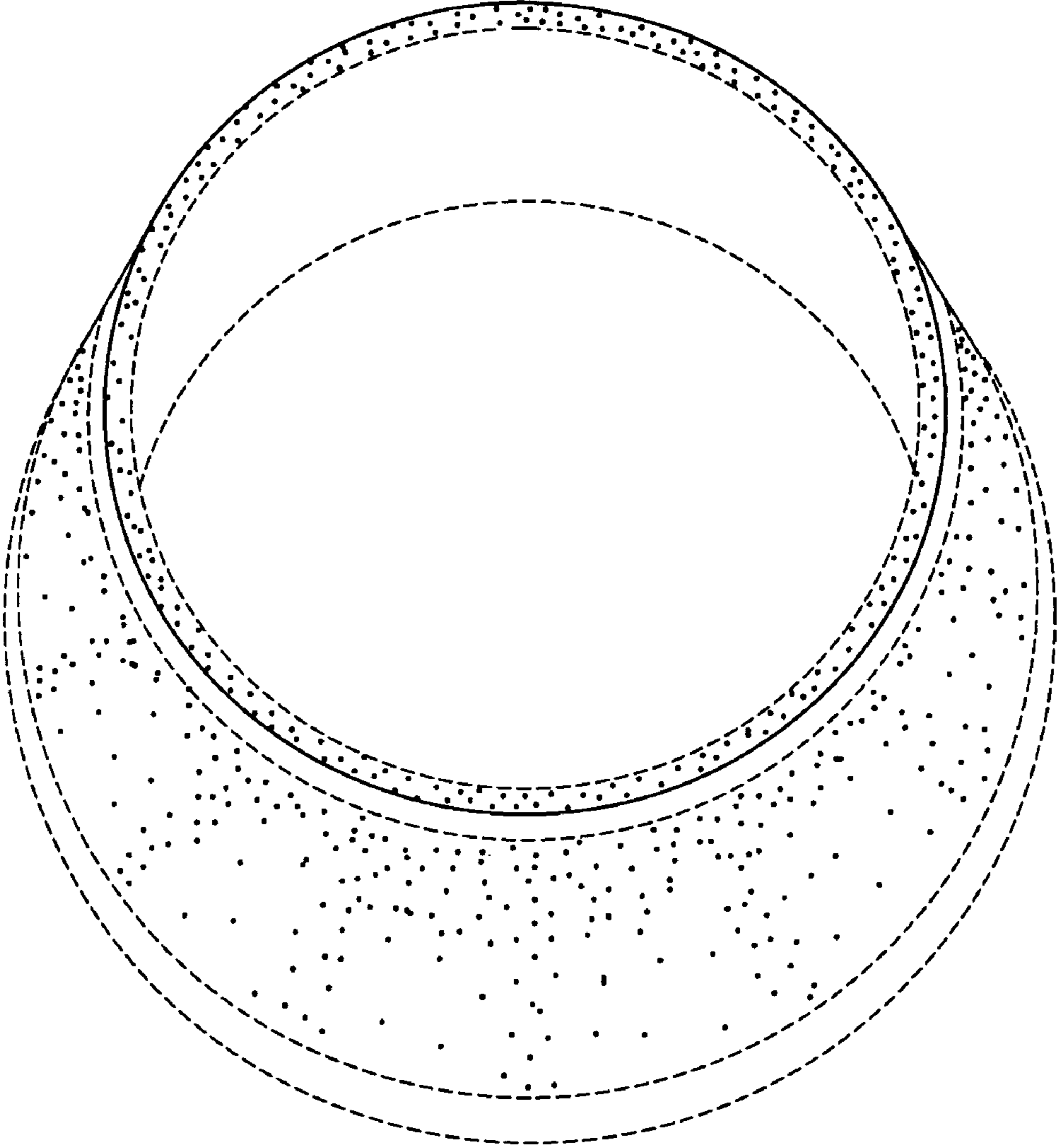


FIG. 2

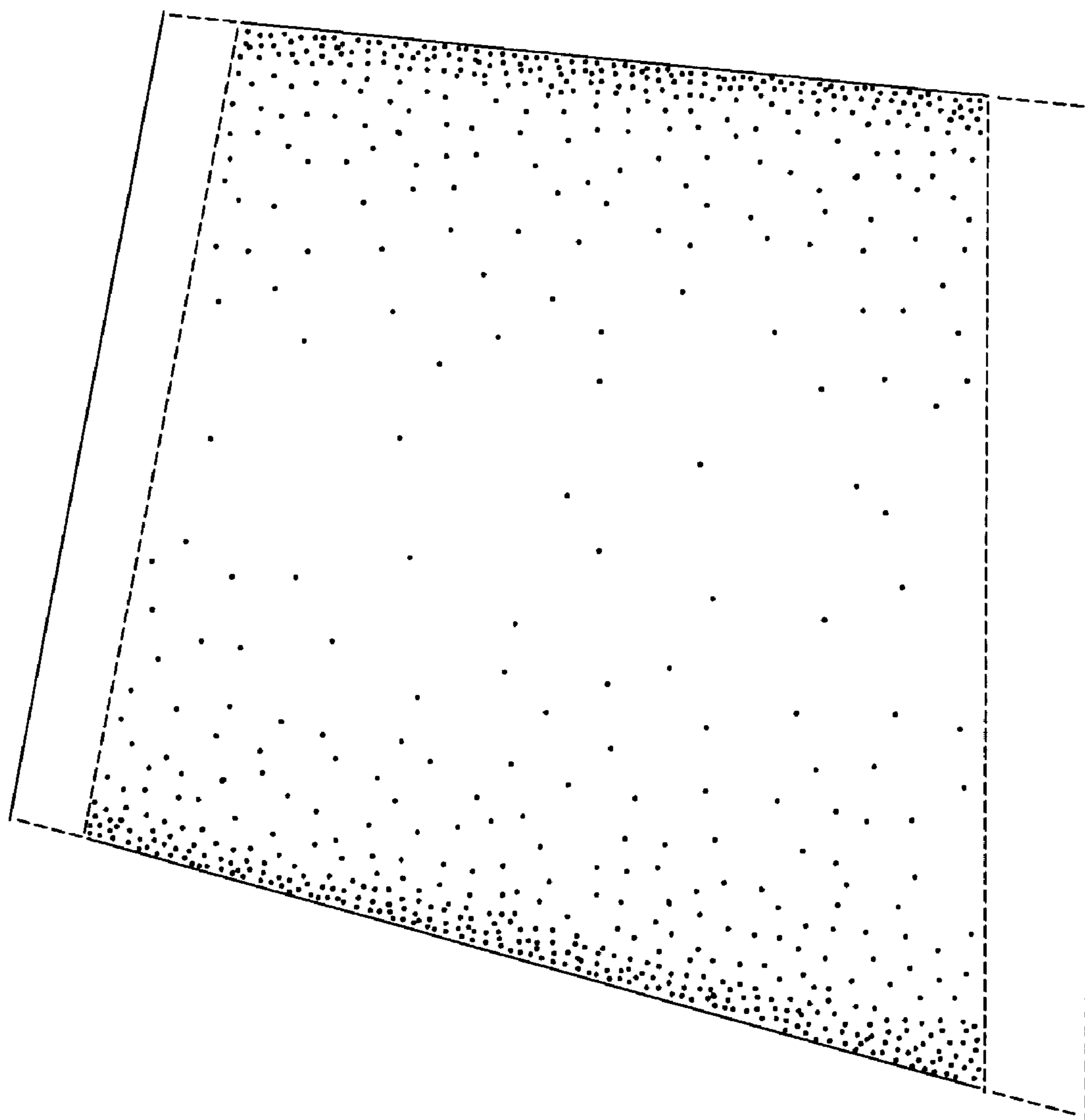


FIG. 3

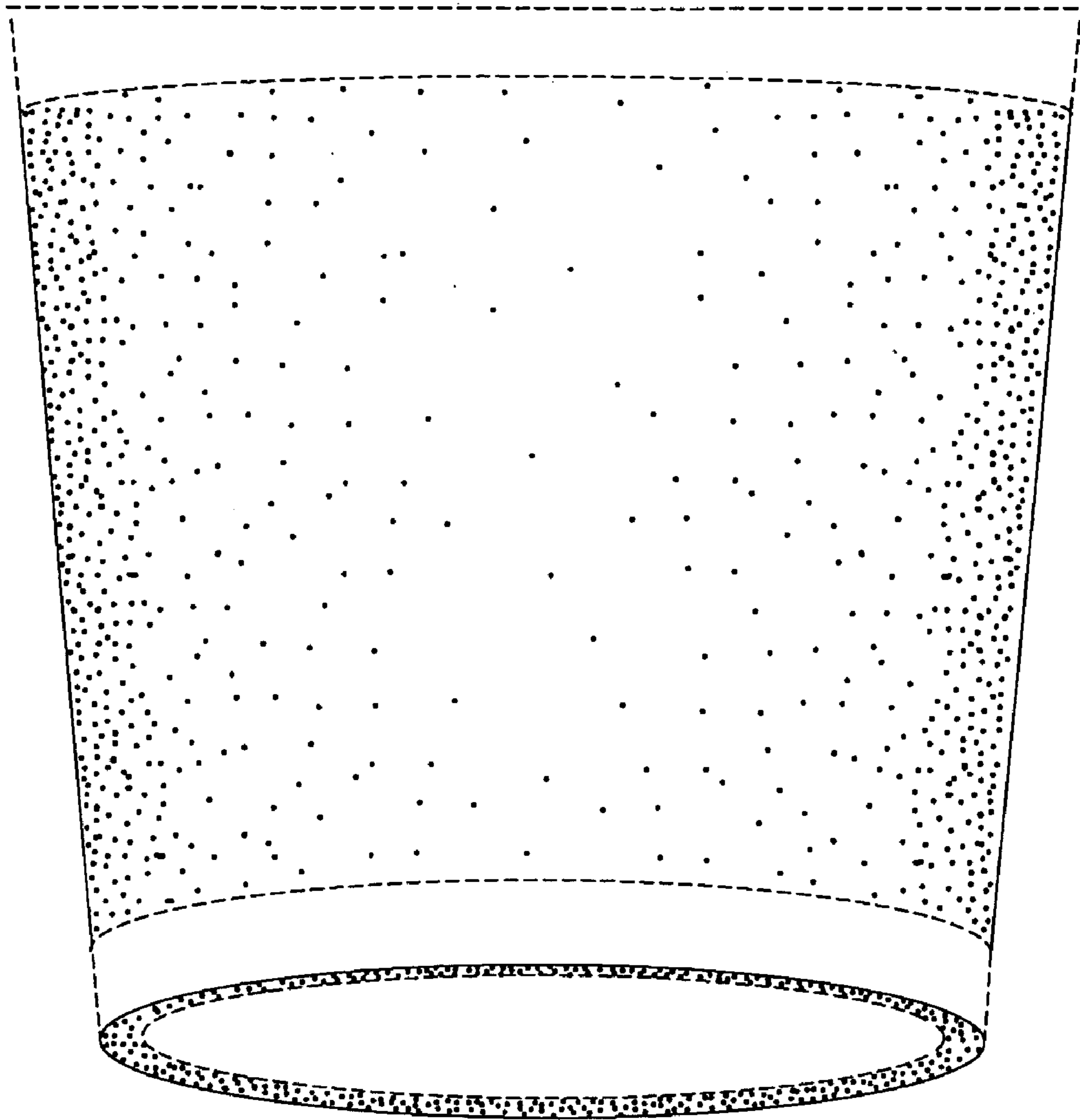


FIG. 4

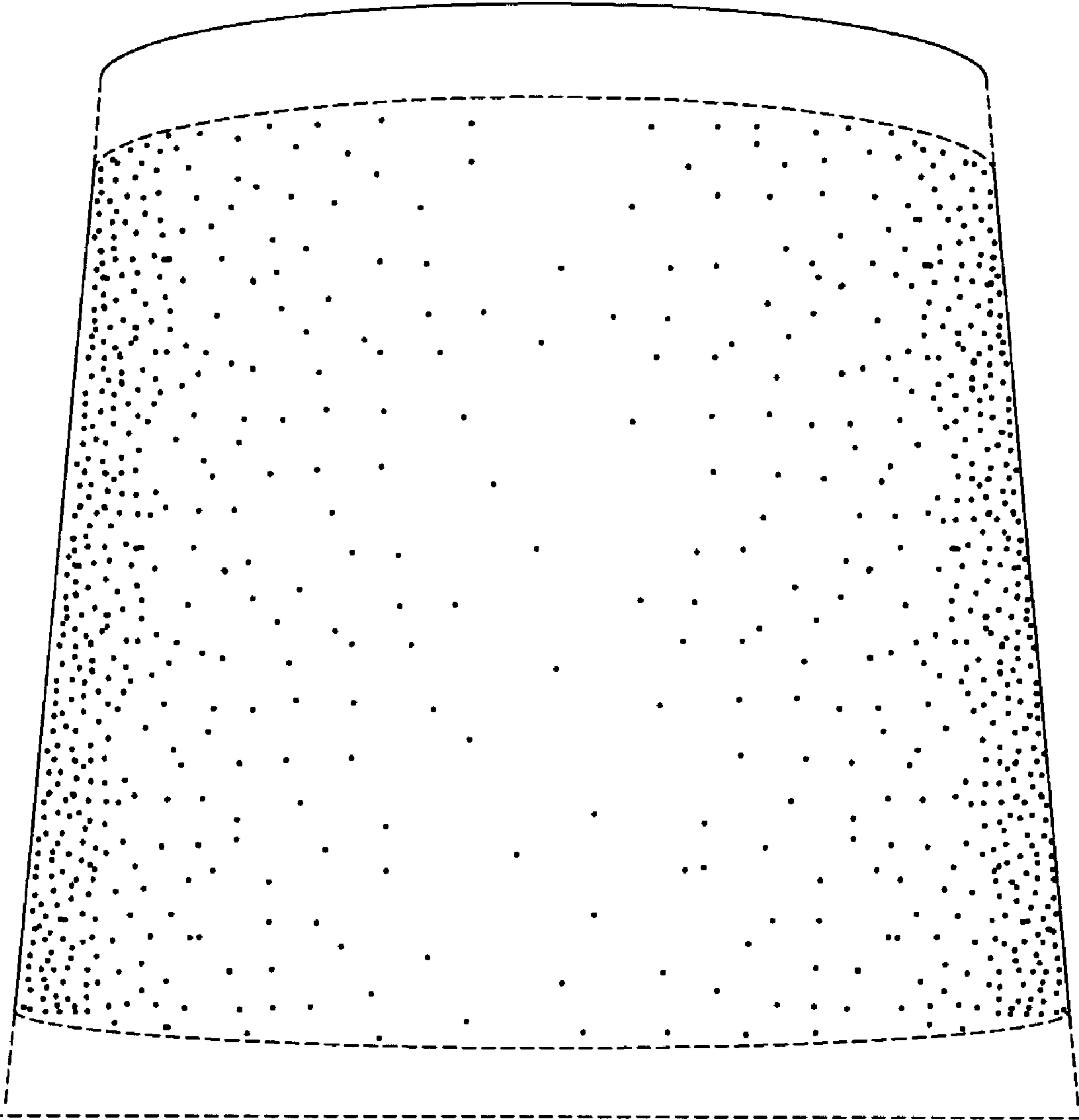


FIG. 5