

US00D666442S

(12) **United States Design Patent**
Sharp et al.

(10) **Patent No.:** **US D666,442 S**

(45) **Date of Patent:** **** Sep. 4, 2012**

(54) **ROLL DISPENSER**

(75) Inventors: **Graham Sharp**, Wishaw (GB); **Cheryl Campbell**, Telford (GB)

(73) Assignee: **Wrap Film Systems Limited**, Telford, Shropshire (GB)

(**) Term: **14 Years**

(21) Appl. No.: **29/403,180**

(22) Filed: **Oct. 3, 2011**

(51) **LOC (9) Cl.** **20-02**

(52) **U.S. Cl.** **D6/518**

(58) **Field of Classification Search** D6/515-523;
206/225, 233, 389, 391; 211/13.1; 222/173,
222/180; 221/26, 33, 282-283; 242/270,
242/590; 248/309.1, 309.2, 905

See application file for complete search history.

(56) **References Cited**

U.S. PATENT DOCUMENTS

D441,577 S *	5/2001	Benedetti	D6/518
D452,788 S *	1/2002	Neiberger et al.	D6/518
D522,782 S *	6/2006	Benedetti et al.	D6/518
D595,075 S *	6/2009	Ramos Peon	D6/518
D604,541 S *	11/2009	Bone et al.	D6/518

D616,233 S *	5/2010	Yang	D6/518
D625,537 S *	10/2010	Maxwell et al.	D6/518
D637,027 S *	5/2011	Withers	D6/518

* cited by examiner

Primary Examiner — Brian N Vinson

(74) *Attorney, Agent, or Firm* — Gifford, Krass, Sprinkle, Anderson & Citkowski, P.C.

(57) **CLAIM**

The ornamental design for roll dispenser, as shown and described.

DESCRIPTION

FIG. 1 is a perspective view of the roll dispenser of the present design;

FIG. 2 is an elevational view of the roll dispenser of the present design as seen from the left side of FIG. 1;

FIG. 3 is an elevational view of the roll dispenser of the present design as seen from the right side of FIG. 1;

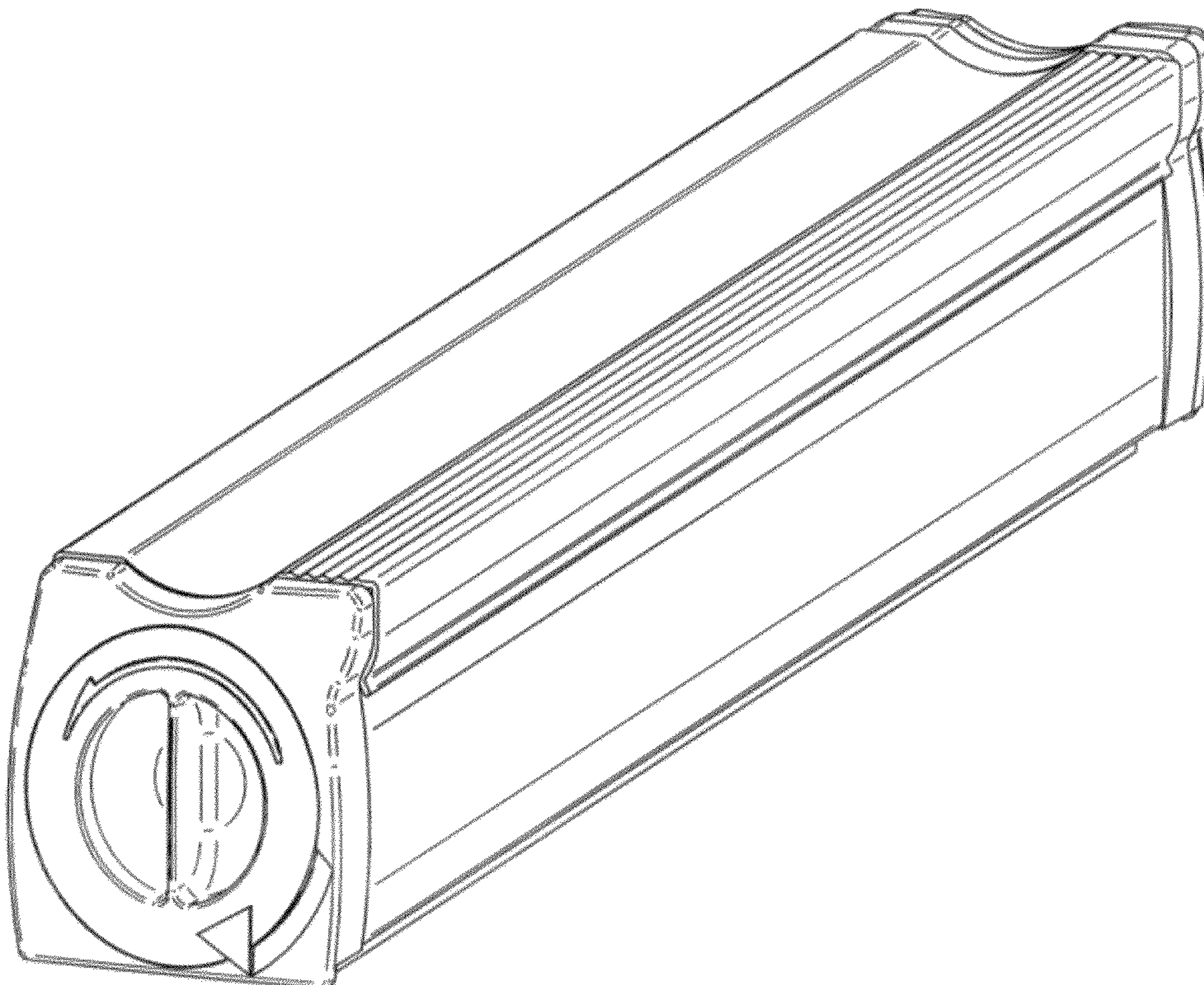
FIG. 4 is a side elevational view of the roll dispenser as seen from the left side of FIG. 7;

FIG. 5 is a side elevational view of the roll dispenser as seen from the right side of FIG. 7;

FIG. 6 is a side elevational view of the roll dispenser as seen from the top of FIG. 1; and,

FIG. 7 is an elevational view of the roll dispenser as seen from the bottom of FIG. 1.

1 Claim, 4 Drawing Sheets



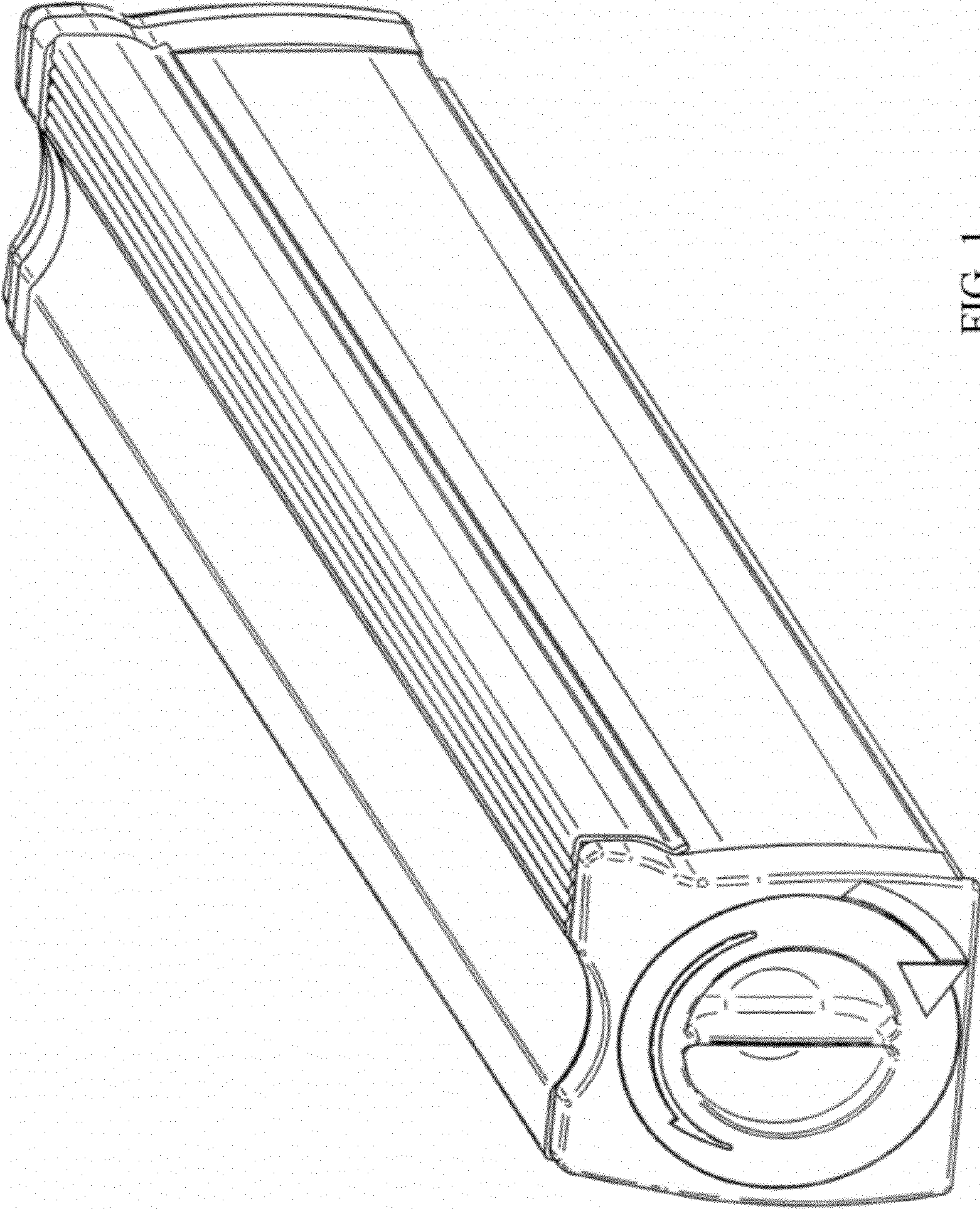


FIG. 1

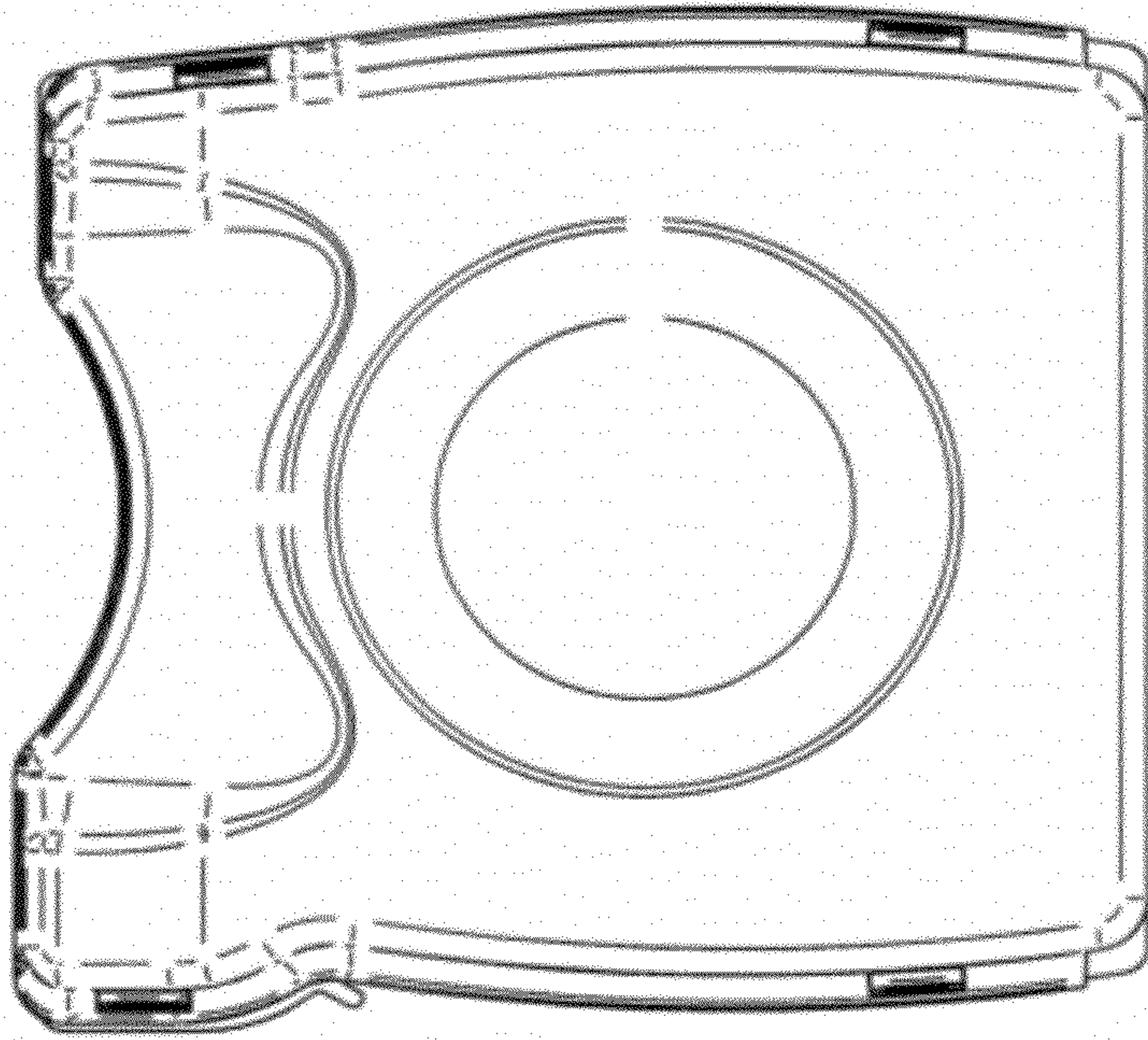


FIG. 3

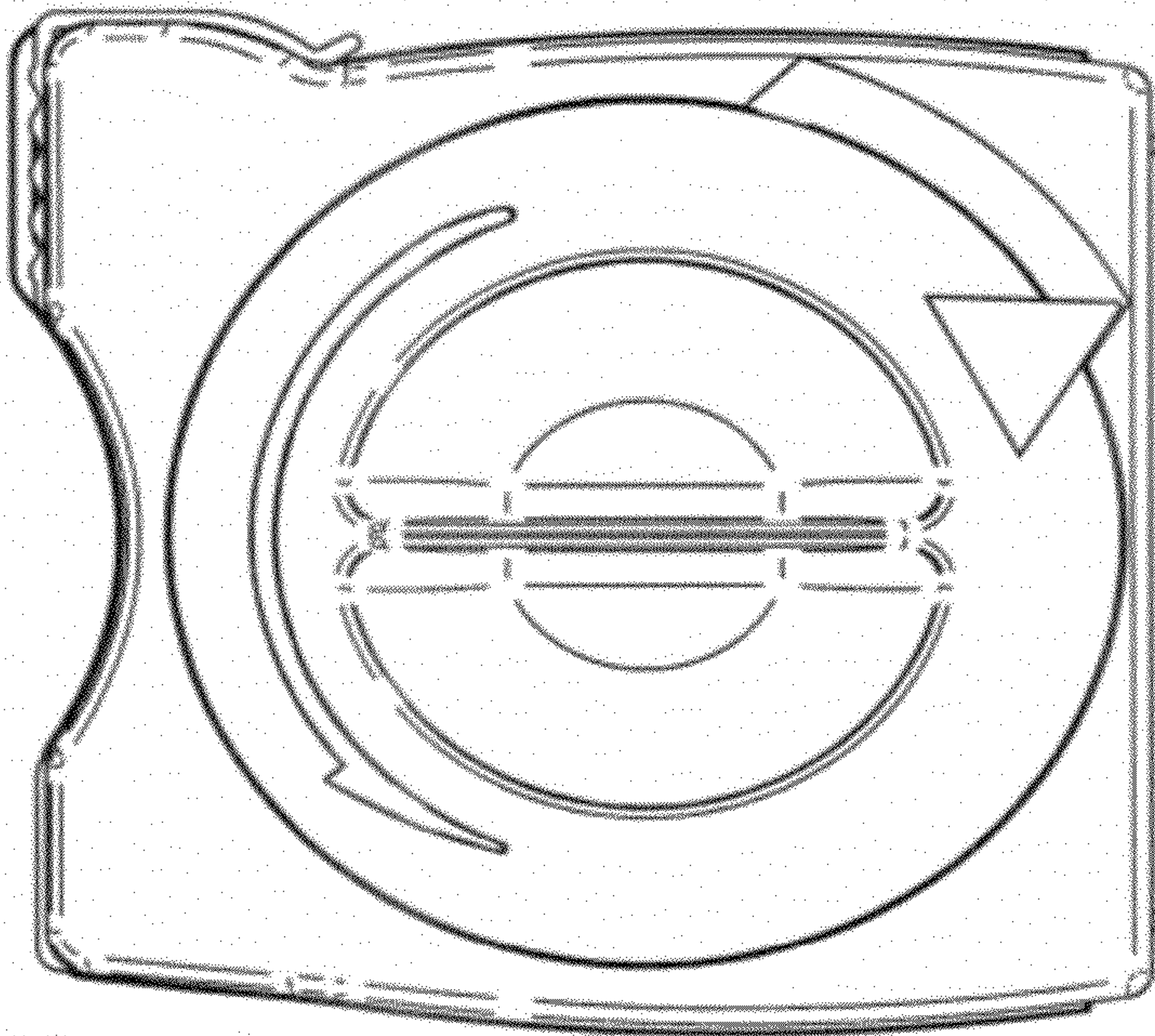


FIG. 2

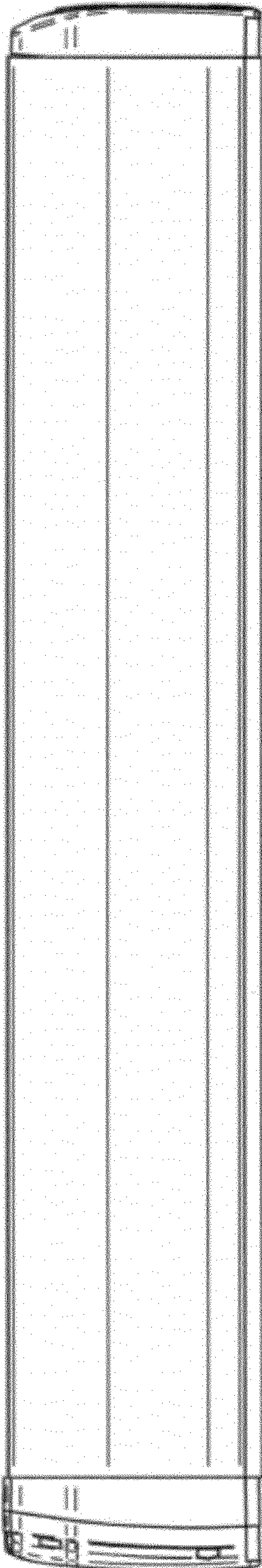


FIG. 4

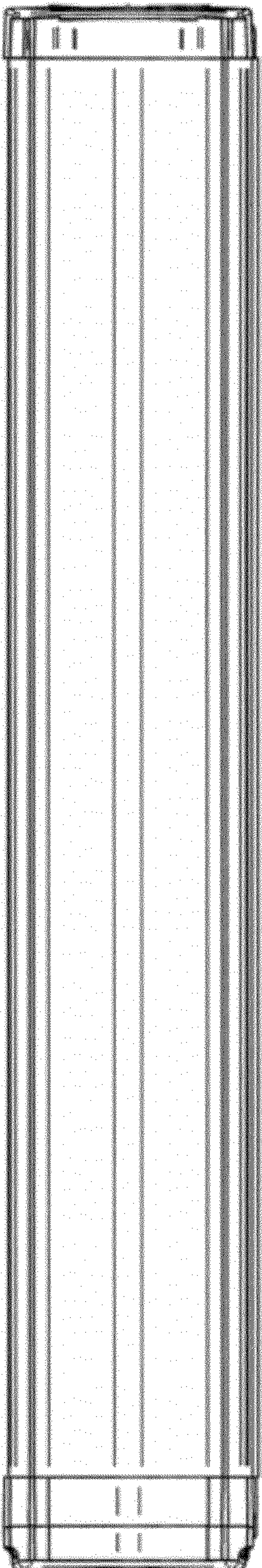


FIG. 5

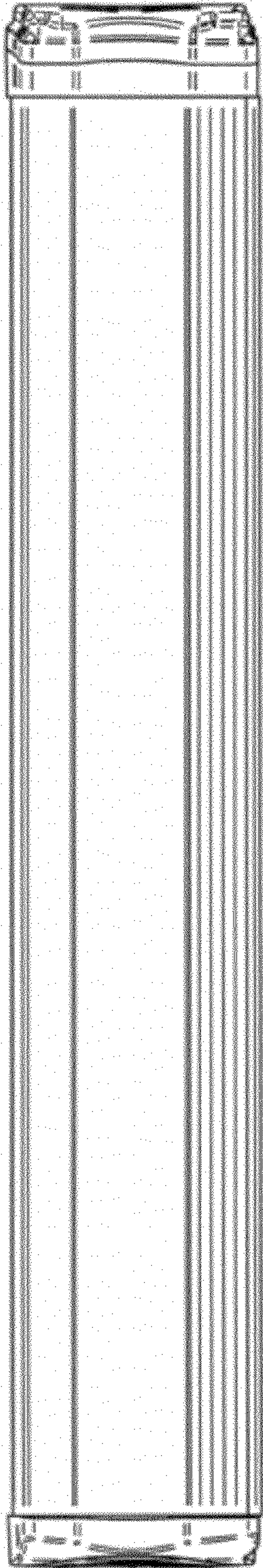


FIG. 6

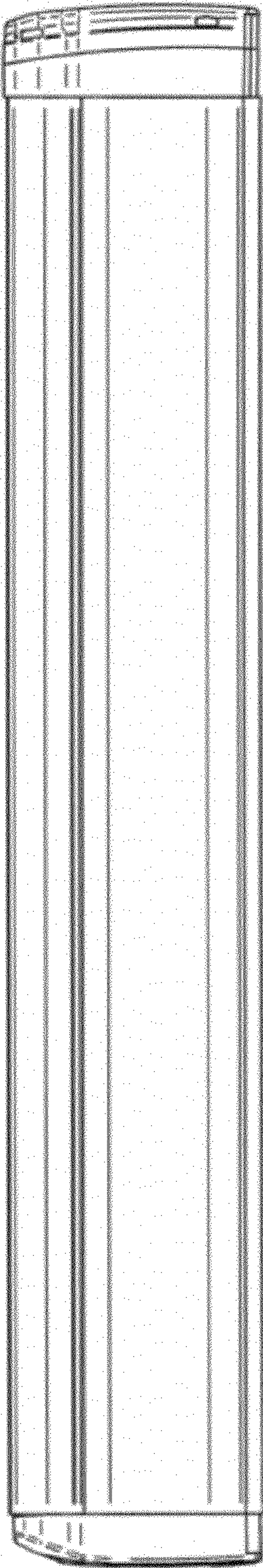


FIG. 7